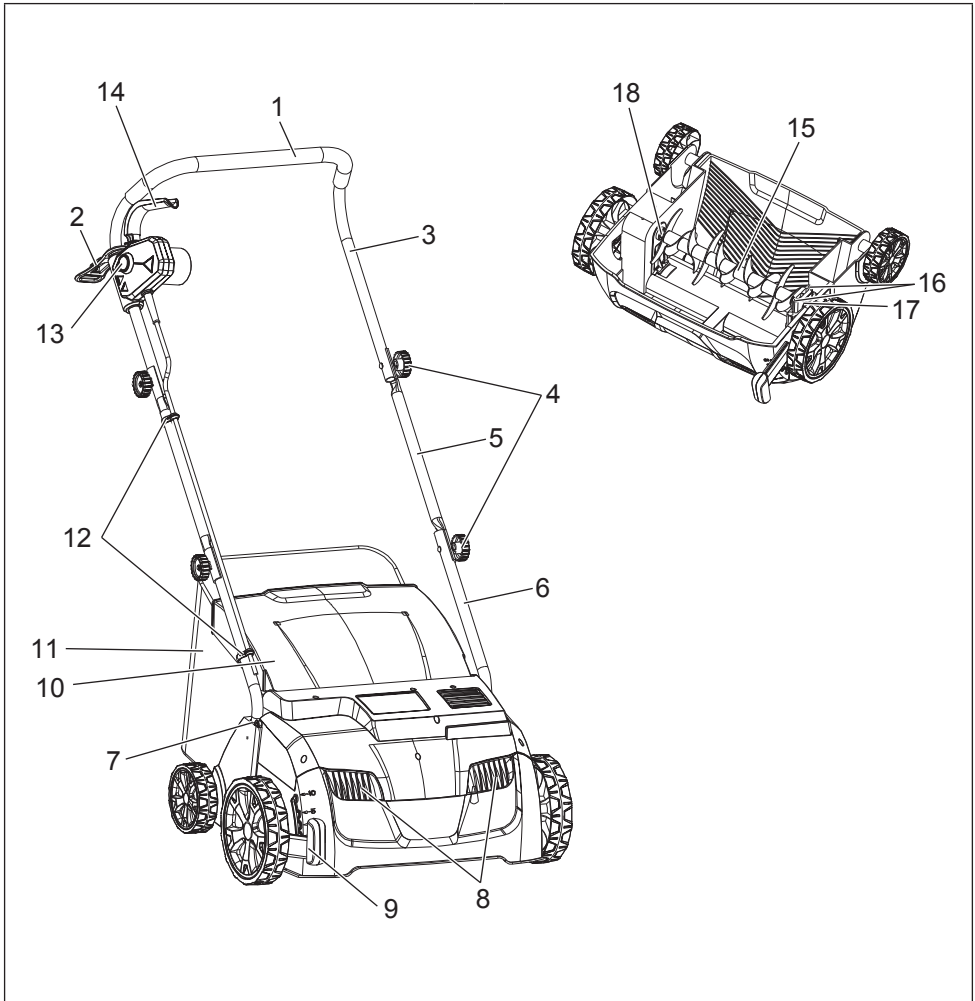
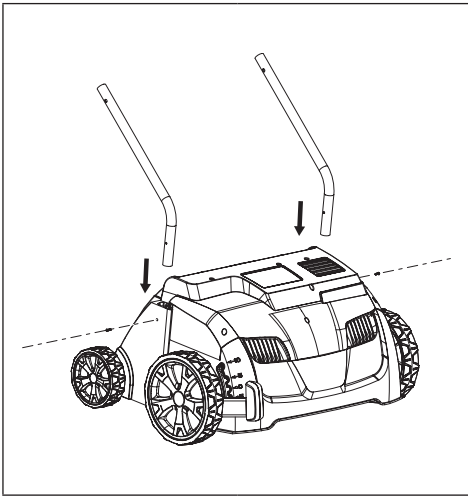


GB	Electric Scarifier	Original Instruction Manual
F	Scarificateur Electrique	Manuel d'instructions original
D	Elektro-Vertikutierer	Original-Bedienungsanleitung
I	Scarificatore elettrico	Manuale di istruzioni originale
NL	Elektrische cultivator	Oorspronkelijke instructiehand- leiding
E	Escarificadora Eléctrica	Manual de instrucciones original
P	Arejador de Solo Eléctrico	Manual de Instruções Originais
DK	Elektrisk opriver	Original brugsanvisning
GR	Ηλεκτρικός εκχερσωτής	Πρωτότυπο εγχειρίδιο οδηγιών
TR	Elektrikli Çim Havalandırma	Orijinal Kullanım Kılavuzu
S	Elektrisk vertikalskärare	Originalbruksanvisning
N	Elektrisk harve	Original instruksjonshåndbok
FIN	Sähkökarhi	Alkuperäinen käyttöohje
LV	Elektriskais skarifikators	Tulkojums no rokasgrāmatas oriģinālvalodā
LT	Elektrinis aeratorius	Originali naudojimo instrukcija
EE	Elektriline kobestaja	Tõlgitud kasutusjuhend
PL	Wertykulator Elektryczny	Oryginalna instrukcja obsługi
HU	Elektromos gyepszellőztető	Eredeti kezelői kézikönyv
SK	Elektrický skarifikátor	Pôvodný návod na obsluhu
CZ	Elektrický kultivátor	Původní návod k použití
RO	Scarificator electric	Manual de instrucțiuni original
RUS	Электрический Скарифikator	Оригинальная инструкция по эксплуатации
UA	Електричний скарифiкатор	Оригінальний посібник з експлуатації





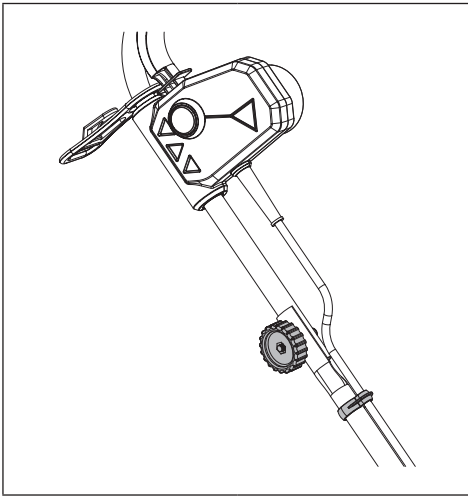
1



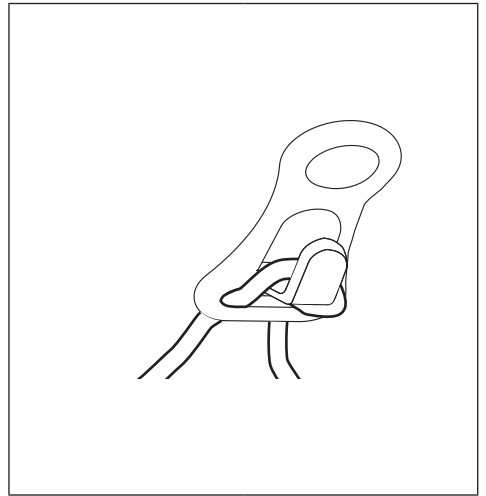
2



3



4



5

DESIGNATION OF PARTS (Fig. 1)

- | | | |
|-----------------------|----------------------------|----------------------------|
| 1. Handle | 7. Support | 13. Lock-off button |
| 2. Cord strain relief | 8. Air vents | 14. Start/stop lever |
| 3. Upper handle bar | 9. Height adjustment lever | 15. Cutting tool |
| 4. Knob | 10. Deflector guard | 16. Bolt and spring washer |
| 5. Middle handle bar | 11. Grass catcher | 17. Bearing |
| 6. Lower handle bar | 12. Clip (x2) | 18. Drive shaft |

TECHNICAL DATA

Model name	UV3200
Voltage	230-240V
Frequency	50Hz
Rated input power	1300W
Net weight	12 kg
No load speed	3000min ⁻¹
Maximum cutting width	320 mm
Work height range	5 steps (-10/-5/0/5/10 mm)
Grass catcher volume	30L
Protection class	IPX4
Sound pressure level	77.97dB(A), K=2.50dB(A)
Sound pressure level at operator's ear	88.5dB(A), K=2.50dB(A)
Measured sound power level	97.25dB(A), K=1.84dB(A)
Guaranteed sound power level	99dB(A)
Vibration	4.513m/s ² , K=1.5m/s ²

SYMBOLS

The following show the symbols used for the machine. Be sure that you understand their meaning before use.



- Read instruction manual.



- Take particular care and attention.



- Double insulation.



- Wear protective gloves.



- Wear sturdy boots with non-slip soles.



- Wear eye and ear protection.



- Wait until all the machine parts stop completely.



- Pay attention to sharp cutting tools.



- Switch off the motor and unplug before cleaning or maintenance, or if power cable is damaged.



- Objects may be thrown out at high speed.



- Keep safe distance between bystanders or pets and working area.



- Do not expose to rain or moisture.



- Remove plug from the mains immediately if power cable is damaged or cut.



- Risk of electrical shock.



- Keep the cord away from the cutting tools or wheels.



- Only for EU countries
Do not dispose of electric equipment together with household waste material! In observance of the European Directive, on Waste Electric and Electronic Equipment and its implementation in accordance with national law, electric equipment that have reached the end of their life must be collected separately and returned to an environmentally compatible recycling facility.

SAFETY WARNINGS

READ CAREFULLY BEFORE USE KEEP INSTRUCTION MANUAL FOR FUTURE REFERENCE



Do not start to operate the machine until you have read these operating instructions. Observe all the instructions given, and install the machine as described.

Intended use of the machine

- This machine is intended for scarifying or raking in gardens.
- The scarifier is intended for private use only, and not for commercial use. Do not use it in public places either.

General Instructions

- Read this instruction manual to become familiar with handling of the machine. Handling the machine by the users insufficiently informed increases the risk of fire, electric shock, or personal injury to themselves as well as the others.
- Do not lend the machine to people who have unproven to be experienced.
- When lending the machine, always attach this instruction manual.
- The machine is not intended for use by persons with reduced physical, sensory or mental capabilities, or lack of experience and knowledge. Young children should be supervised to ensure that they do not play with the machine.
- Operate only if you are in good physical condition. Perform all work calmly and carefully. The user is responsible for all safety of persons and damages around the operating area.
- Never use this machine after consumption of alcohol or drugs, or if feeling tired or ill.
- Take a rest to prevent loss of control caused by fatigue. We recommend taking a 10 to 20-minute rest every hour.
- Use the machine in accordance with these instructions, considering the working conditions and the application. Unintended use of the machine could result in a hazardous situation.
- National or local regulation can restrict the handling of the machine.
- Stay alert. Watch what you are doing. Use common sense. Do not operate machine when you are tired.

Personal protective equipment

- Dress Properly. The clothing worn should be functional and appropriate, i.e. it should be tight-fitting but not cause hindrance. Do not wear either jewelry or clothing which could become entangled in to machine. Wear protecting hair covering to contain long hair.
- Always wear ear protections to avoid hearing loss.
- Wear protective glasses or goggles to protect eyes from flying objects and debris.
- Wear protective gloves to prevent injury to fingers.
- Wear dust mask to reduce the risk of injury.
- When using the machine, always wear sturdy shoes with a non-slip sole. This protects against injuries and ensures a good footing.
- While operating the machine, always wear substantial footwear and long trousers. Do not operate the machine when barefoot or wearing open sandals.

Work area safety

- Keep children and bystanders, including animals, away while operating the machine.
- Check the work area whether there are no stones, wires, glass, or other foreign objects. Foreign object may be caught up or flung by the machine, result in damage or injury.
- Operate the machine under good visibility and daylight conditions only. Do not operate the machine in darkness or fog.
- Do not operate machine in explosive atmospheres, such as in the presence of flammable liquids, gases or dust. The machine creates sparks which may ignite the dust or fumes.
- Do not expose the machine to rain or wet conditions. Water entering the machine may increase the risk of electric shock.

Starting up the machine

- Before connect the plug or switch on the machine:
 - Check the plug and cord and confirm that they are good condition.
 - Check all the screws, nuts and other fasteners are properly secured.
 - Check cutting tools are in place and good working condition.
 - Check guards and safe devices, such as deflectors or grass catcher, function well.
 - Check the air vents are not covered by dust or other foreign materials. Clean them with a soft brush or cloth if they are blocked.
 - Replace damaged or unreadable labels.
 - Check all the parts of the machine carefully to determine if it operates properly and performs its intended function. Especially, never use the machine if the switch does not work normally.
 - Make sure the switch is off side to prevent unintentional start.
 - Check all tools for maintenance, such as adjusting wrench or spanner are removed.
- If the supply cord is damaged, ask Makita authorized service center to replace it, always use genuine replacement parts.
- Never use the machine if safety device, such as deflector guard or grass catcher, is damaged or missing.

- When turning on the motor:
 - Keep your feet away from the cutting tools.
 - Do not tilt the machine.
 - Do not stand in front of the discharge opening.
 - Never let your hands or other part of the body or clothing place near moving parts.

Electrical safety

- Check the connector plug on the machine fits into the socket before use.
- Never modify the connector plug.
- Do not abuse the cord. Never use the cord for carrying, pulling or unplugging the machine. Keep cord away from heat, oil, sharp edges or moving parts. Damaged or entangled cords increase the risk of electric shock.
- Check the extension cable regularly for damage to the insulation. Replace it if damaged.
- If the connecting cable is damaged, withdraw the mains plug immediately. A damaged cable may cause contact with live parts and electric shock.
- Never use damaged cord.
- Keep the cord and extension cable away from cutting tools and wheels. Cutting tools may damage the cable and cause electric shock.
- When using the machine outdoors, always use a residual current-operated circuit-breaker (RCD) with an operating current of 30 mA or less.
- Use only extension cable for outdoor use with splash-proofed connector. Its cross-section must be at least 1.5mm² for cable lengths up to 25m, and 2.5 mm² for cable lengths over 25m.
- The machine should be connected only to a power supply of the same voltage as indicated on the nameplate, and can only be operated on single-phase AC supply. They are double-insulated in accordance with European Standard and can, therefore, also be used from sockets without earth wire.
- Avoid body contact with earthed or grounded surfaces (e.g. pipes, radiators, ranges, refrigerators).

Operation

- Avoid operating on wet grass. Take particular attention when working on wet grass to prevent slipping.
- Hold the handle firmly with both hands during operation. Keep the handle dry and clean to prevent accidents.
- Do not run. Only walk during operation.
- Pay particular attention to your footings when working on a slope.
- Do not work straight up or down on a slope. Always work along horizontal line.
- Be especially careful when turning the machine on a slope.
- Never work on a steep slope.
- Pay extreme attention when reversing or pulling the machine towards you.
- Do not overreach. Keep proper footing and balance at all times. This enables better control of the machine in unexpected situations.
- Always remember:
 - Keep your feet away from the cutting tools.
 - Do not tilt the machine.
 - Do not stand in front of the discharge opening.
 - Never let your hands or other part of the body or clothing place near moving parts.
- Do not force the machine. It does the job better and safer at the rate for which it was designed. Frequent overload may cause motor damage or fire.

- Switch off the motor and unplug:
 - Whenever leaving the machine unattended
 - Before clearing a blockage or any fault
 - Before checking, cleaning or working on the machine
 - Before making any adjustments, changing accessories or storing
 - When the machine hits a foreign object. Wait until the machine cools down. Inspect the machine and replace the parts if needed before continuing operation
 - Whenever the machine starts vibrating or making noise unusually
 - When attaching or removing grass catcher
 - When someone enters your working area
 - When crossing surface other than grass
 - When transporting.
- Stop the cutting tool:
 - If you have to tilt the machine
 - When crossing surfaces other than grass
 - Transporting the machine to and from surfaces to be worked.
- Pay attention to the cutting tools. They do not stop immediately after switch off.

Maintenance instructions

- Have your machine serviced by our authorized service center, always using only genuine replacement parts. Incorrect repair and poor maintenance can shorten the life of the machine and increase the risk of accidents.
- Inspect the machine on regular base.
- Before servicing, inspection, adjustment, storage, or to change an accessory, take following steps:
 - Shut off the power source
 - Disconnect the machine from power supply
 - Make sure that all moving parts have come to a complete stop
 - Allow the machine to cool.
- Inspect on the machine for possible damage:
 - Whether safety devices works properly for its intended function
 - Whether all the moving parts work smoothly and adequately
 - Whether all parts are not damaged and properly installed
 - Check the cutting tool for any damage, worn or unbalance
 - Check the grass catcher regularly for any damage or worn
 - Check all the nuts, bolts and screws are tight
 - Replace or repair by our authorized service center if there are any damaged or worn parts.
- Do not carry out maintenance or repair work other than that described in this instruction manual. Any other work must be carried out by Makita authorized service center.
- Only use original Makita replacement parts and accessories intended for your machine. Otherwise it may result in personal injury or damage on the machine.
- Store the machine in a dry room. Keep it out of reach of children. Never store the machine outdoors.

Vibration

- People with poor circulation who are exposed to excessive vibration may experience injury to blood vessels or the nervous system. Vibration may cause the following symptoms to occur in the fingers, hands or wrists: "Falling asleep" (numbness), tingling, pain, stabbing sensation, alteration of skin color or of the skin. If any of these symptoms occur, see a physician.
- To reduce the risk of "white finger disease", keep your hands warm during operation and well maintain the equipment and accessories.

WARNING:

- This machine produces an electromagnetic field during operation. It is recommended that persons with medical implants should consult their doctors and implant manufacturers before using this machine. Otherwise the electromagnetic field may affect medical implants and it may result in serious injury.

ASSEMBLY

CAUTION:

- Always be sure that the machine is switched off and unplugged before carrying out any work on the tool.

Assembling the handle bar (Fig. 2, 3, 4)

- 1) Insert the lower handle bar (6) into the support (7). Align the screw holes on them, and then fasten them by a screw. Perform this step on both sides.
- 2) Place the middle handle bar (5) onto the lower handle bar (6). Align the screw holes of those handles, and then fasten them with the knob (4), spacer, and the bolt. Perform this step on both sides.
- 3) Place the upper handle bar (3) onto the middle handle bar (5). Fasten each side of the upper bar with the knob (4), spacer, and the bolt.
- 4) Fasten the cord with the clips (12) onto the handle bar.

Assembling the grass catcher

CAUTION:

- Do not operate the machine without grass catcher. Otherwise ejected object may cause injury.
- For rear discharge appliances with exposed rear rollers, when used without a catcher, full eye protection shall be worn.

NOTE:

- The performance of the machine reduces when the grass catcher is full. Empty the grass catcher on regular basis before it becomes completely full.

Installing the grass catcher

Pull up the deflector guard (10) and hold it. Insert hooks on the grass catcher into the grooves on the machine.

Removing the grass catcher

Pull up the deflector guard (10) and hold it. Remove the grass catcher by releasing the hooks from the grooves on the machine.

Cord strain relief (Fig. 5)

The cord strain relief (2) helps to prevent the cord from entangling into the blade or wheel.

Make a small loop at the end of the mains cord, and pass it through the opening of the cord strain relief, and then hang it on the hook.

Always take the position of the cord into consideration during operation. Start your operation from the nearest point to the power supply to prevent the cord from accidentally cut. It is recommended keeping the cord over your shoulder during the operation.

Removing or installing cutting tool

CAUTION:

- Wear protective gloves.
- Pay particular attention when handling cutting tool. It is very sharp and may become hot during operation.
- Always use appropriate cutting tool in accordance with your operation.
- Before operation, make sure two bolts, which hold the cutting tool onto the machine, are firmly tightened. Do not use the machine if it is loose or missing. If it is damaged, replace it immediately.

Removing cutting tool

- 1) Remove the grass catcher (11).
- 2) Remove the handle from the machine.
- 3) Place the machine upside down on a flat surface.
- 4) Loosen the two bolts (16). Remove them and spring washers.
- 5) Lift the bearing part of the cutting tool (17), and then pull the cutting tool (15) out from the drive shaft (18).

Installing the cutting tool

- 1) Insert the cutting tool by sliding its hex nut part into the socket of driving shaft.
- 2) Fasten the bearing part to the machine by the bolts and spring washers.

FUNCTIONAL DESCRIPTION

WARNING:

- Before plugging the machine, always make sure that the machine is switched off. Plugging the machine with the switch on may cause an unexpected start resulting in serious personal injury.
- Never use the machine if power cable is damaged. Otherwise it may cause electric shock.
- Do not use the machine if the switch does not turn it on and off. Have defective switches replaced by Makita authorized service center.

Start/stop lever

To start the machine, press and hold the lock-off button (13), and then fully pull the start/stop lever (14) and hold it. Once pulling the start/stop lever, you do not need to hold the lock-off button.

To stop the machine, simply release the start/stop lever.

Height adjustment

Depending on the condition of the grass, adjust the height of the cutting tool.

Refer to the table below as rough indication for depth settings.

Height	Usage	
	Scarifying	Raking (Optional accessory)
+10mm	For transportation and storage.	For transportation and storage. Raking sensitive lawn. Dethatching thin layers.
+5mm	Scarifying sensitive lawn. Dethatching thin layers. The second scarifying operation in autumn.	Raking normal lawn.
0mm	Scarifying normal lawn. Dethatching normal layer.	Raking rough thick lawn.
-5mm	Scarifying normal lawn. Dethatching thick layer.	Do NOT use for raking operation.
-10mm	Scarifying rough thick lawn. Dethatching thick layer.	Do NOT use for raking operation.

Changing the height

Push in the height adjustment lever (9) towards wheel axis side, and move it upwards or downwards.

Overload protection

This machine is equipped with overload protection, and it functions under the following situations:

- The cutting tool becomes clogged because scarified materials are built up around it.
- The machine is trying to scarify more than the motor can handle.
- Something hinders the rotation of the cutting tool.

When this protection works, the machine is switched off automatically.

If it happens, unplug the machine, wait until it cools down, and remove the cause of the overload before restarting the machine.

OPERATION

Operation Tips:

- Cut your grass before operation and fertilize after the operation.
- Adjust the depth of the cutting tool in accordance with the height of the grass and weather.
- Avoid operating on wet grass. It tends to stick on the discharge port and other parts of the machine. It may also cause slip and fall.
- Do not move too fast. Push the machine slowly. Otherwise discharge port may become clogged and the motor may overload.
- Operate along a line as straight as possible.
- Make slightly overlapping scarified lines. It will maintain even and smooth surface.
- When a flower bed is included in the operating area, make a circle or two around the flower bed.
- Be especially careful when turning the machine.
- Do not stay in one position. It damages the grass.

Tips for scarifying:

- Always take the weather into account. Warm, sunny and wet weather is good for scarifying because the lawn can recover healthily. On the other hand, avoid cold, heat, dry weather.

- During spring season scarify the lawn.
- If summer is wet, scarify the lawn in early autumn.
- Refrain from scarifying during period of extremely hot weather.
- If summer is very dry, do not scarify in autumn.

Tips for raking:

- Plenty amount of air is needed for the area around the roots of the lawn in order to maintain healthy growth in spring season.
- It is recommended performing aeration operation on the lawn every 4 – 6 weeks in accordance with the state of the lawn.

MAINTENANCE

⚠ CAUTION:

- Always be sure that the machine is switched off and unplugged before performing inspection or maintenance.
- Wear protective gloves before performing inspection or maintenance.
- The cutter does not stop immediately after switch off. Wait until all the parts stop before performing any maintenance work.
- Make sure that all the tools are removed after maintenance work.
- Never use gasoline, benzene, thinner, alcohol or the like for cleaning. Discoloration, deformation or cracks may result. To clean the machine, use only moist cloth and soft brush.
- Do not hose or clean the machine with high pressured water.

When transporting the machine, pay attention to the following points:

- Switch off the motor, unplug and wait until the cutting tool stops.
- Adjust the depth of the cutting tool to transportation height.
- Always transport the machine by its handle.
- Avoid heavy impact or strong vibration.
- Secure the machine firmly in case it is embarked on vehicles.

Perform the following steps after each operation:

- Switch off the motor, unplug and wait until the cutting tool stops.
- Clean the grass catcher. Store it in a dry room.
- Check, clean and store the machine in a dry room.

Perform the following work at regular basis:

- Check all the clamps, such as screws, nuts etc. are tightly fasten.
- Check for defects such as loose, worn, or damaged parts. Replace them if necessary.
- Check that the covers and guards are not damaged or deformed.
- If the machine starts vibrating abnormally during operation, that may be caused by unbalanced or deformed cutting tool due to the impacts by foreign objects. Have the cutting tool repaired or replaced by authorized service center if it happens.
- The cutting tool is worn out during the course of time. Check the condition of the cutting tool and its stability on regular basis. Replace it if it is worn or become blunt.
- Clean and lubricate all screw parts before storage.

TROUBLESHOOTING

WARNING: Before solving troubles, switch off the machine, pull out the mains plug, and wait until the machine stops completely.

Trouble	Possible cause	Remedy
The machine does not start.	Power supply is not plugged in.	Connect the power supply.
	Defect of power cord.	Unplug immediately. Ask your local Makita authorized service center to repair it.
	Defect of electrical circuit.	Ask your local Makita authorized service center to repair it.
	Lock-off button is not pressed.	Press the lock-off button and pull the start/stop lever.
There are cracking sounds from the machine.	Foreign matter is entangled in the cutting tool.	Switch off the motor, unplug, and wait until the cutter tool stops. And then remove the foreign matter.
There are strange noise from the machine.	Defect of drive belt	Ask your local Makita authorized service center to repair it.
The machine does not reach its maximum power.	Power source has low voltage than it required.	Try another power source. Check whether appropriate power source is deployed.
	Air vents are clogged.	Clean the air vents.
Poor result.	Grass is too high.	Mow the grass before scarifying.
	Cutting tool is worn out or damaged.	Replace it.
	Scarified surface exceeds the machine capacity.	Only scarify a surface which is in accordance with machine capacity.
	Scarified depth is not correct.	Adjust the depth of the cutting tool.

OPTIONAL ACCESSORY

CAUTION:

- These accessories or attachments are recommended for use with your Makita tool specified in this manual. The use of any other accessories or attachments might present a risk of injury to persons. Only use the accessories or attachments for their stated purposes.
- If you need any assistance for more details regarding these accessories, ask your local Makita Service Center.

There are several types of cutting tool:

- Scarifying blade - The sharp edge of a blade scarifies the ground and cuts roots.
- Raking blade (optional accessory) - Removing the lawn and leaves by fine needles.

NOTICE:

- Some items in the list may be included in the tool package as standard accessories. They may differ from country to country.

For European countries only

EC Declaration of Conformity

We Makita Corporation as the responsible manufacturer declare that the following Makita machine(s):

Designation of Machine:

Electric Scarifier

Model No./ Type: UV3200

Specifications: see "Technical data" table.

are of series production and

Conforms to the following European Directives:

2000/14/EC amended by 2005/88/EC, 2006/42/EC,
2004/108/EC

And are manufactured in accordance with the following standards or standardised documents:

EN60335-1, EN60335-2-92.

The technical documentation is kept by:

Makita International Europe Ltd.

Technical Department,

Michigan Drive, Tongwell,

Milton Keynes, Bucks MK15 8JD, England

The conformity assessment procedure required by Directive 2000/14/EC was in Accordance with annex V.

Measured Sound Power Level: 97.25 dB (A)

Guaranteed Sound Power Level: 99 dB (A)

10.1.2013



Tomoyasu Kato
Director

Makita Corporation
3-11-8, Sumiyoshi-cho,
Anjo, Aichi, 446-8502, JAPAN

DÉSIGNATION DES PIÈCES (Fig. 1)

- | | | |
|-----------------------------------|------------------------------------|----------------------------------|
| 1. Guidon | 7. Support | 13. Bouton de déverrouillage |
| 2. Décharge de traction de cordon | 8. Orifices d'aération | 14. Levier de démarrage/arrêt |
| 3. Partie supérieure du guidon | 9. Levier de réglage de la hauteur | 15. Outil de coupe |
| 4. Bouton | 10. Défecteur | 16. Boulon et rondelle élastique |
| 5. Partie intermédiaire du guidon | 11. Collecteur d'herbe | 17. Roulement |
| 6. Partie inférieure du guidon | 12. Clip (x2) | 18. Arbre d'entraînement |

DONNÉES TECHNIQUES

Nom de modèle	UV3200
Tension	230 à 240 V
Fréquence	50 Hz
Puissance d'entrée nominale	1 300 W
Poids net	12 kg
Vitesse à vide	3000min ⁻¹
Largeur de coupe maximum	320 mm
Plage de hauteur de travail	5 crans (-10/-5/0/5/10 mm)
Volume du collecteur d'herbe	30 l
Classe de protection	IPX4
Niveau de pression acoustique	77,97 dB (A), K= 2,50 dB (A)
Niveau de pression acoustique aux oreilles de l'utilisateur	88,5 dB (A), K= 2,50 dB (A)
Niveau de puissance sonore mesuré	97,25 dB (A), K= 1,84 dB (A)
Niveau de puissance sonore garanti	99 dB (A)
Vibration	4,513 m/s ² , K= 1,5 m/s ²

SYMBOLES

Les symboles utilisés pour la machine sont indiqués ci-dessous. Vous devez en avoir compris le sens avant l'utilisation.



- Consultez le manuel d'instructions.



- Soyez très prudent et attentif.



- Double isolation.



- Portez des gants de protection.



- Portez des bottes robustes à semelles antidérapantes.



- Portez des lunettes de protection et un serre-tête antibruit.



- Attendez l'arrêt complet de toutes les pièces de la machine.



- Faites attention aux outils de coupe tranchants.



- Coupez le moteur et débranchez la machine avant d'effectuer le nettoyage ou la maintenance, ou si le câble est endommagé.



- Des objets peuvent être éjectés à grande vitesse.



- Maintenez une distance de sécurité entre les badauds ou les animaux domestiques et la zone de travail.



- N'exposez pas la machine à la pluie ou à l'humidité.



- Retirez immédiatement la fiche de la prise secteur si le câble d'alimentation est endommagé ou coupé.



- Risque d'électrocution



- Éloignez le cordon des outils de coupe ou des roues.



- Uniquement pour les pays européens
Ne jetez pas les appareils électriques avec vos ordures ménagères !
Conformément à la directive européenne relative aux déchets d'équipements électriques et électroniques ainsi qu'à son application en conformité avec les lois nationales, les appareils électriques qui ont atteint la fin de leur durée de service doivent être collectés séparément et renvoyés à un établissement de recyclage respectueux de l'environnement.

CONSIGNES DE SÉCURITÉ

À LIRE ATTENTIVEMENT AVANT L'UTILISATION CONSERVEZ CE MANUEL D'INSTRUCTIONS POUR CONSULTATION ULTÉRIEURE



Ne commencez à utiliser la machine qu'après avoir lu les présentes instructions d'utilisation. Respectez toutes les instructions données et installez la machine tel que décrit.

Usage pour lequel la machine a été conçue

- Cette machine est conçue pour la scarification et le ratissage des jardins.
- Le scarificateur est conçu exclusivement pour un usage privé, et non à des fins commerciales. Ne l'utilisez pas non plus dans les lieux publics.

Instructions générales

- Lisez ce manuel pour vous familiariser avec le maniement de la machine. Si la machine est manipulée par un utilisateur mal renseigné, les risques d'incendie, d'électrocution ou de blessures corporelles de l'utilisateur et d'autrui augmentent.
- Ne prêtez pas la machine aux personnes sans expérience.
- Lorsque vous prêtez la machine, joignez toujours le présent manuel d'instructions.
- La machine n'est pas conçue pour être utilisée par des personnes atteintes d'un handicap physique, sensoriel ou mental, ainsi que par des personnes ne possédant pas l'expérience et les connaissances nécessaires. Les jeunes enfants doivent être surveillés pour s'assurer qu'ils ne jouent pas avec la machine.
- N'utilisez la machine que si vous êtes en bonne condition physique. Travaillez toujours en faisant preuve de calme et de prudence. L'utilisateur est responsable de la sécurité des personnes en présence et des dommages causés dans sa zone de travail.
- N'utilisez jamais cette machine sous l'emprise de l'alcool ou de médicaments, ou si vous êtes fatigué ou malade.

- Reposez-vous régulièrement pour empêcher la perte du contrôle due à la fatigue. Nous recommandons de faire une pause de 10 à 20 minutes toutes les heures.
- Utilisez la machine conformément aux présentes instructions, en tenant compte des conditions de travail et de la tâche à effectuer. Utiliser la machine pour des travaux autres que ceux pour lesquels elle a été conçue peut entraîner une situation dangereuse.
- La réglementation nationale ou locale peut imposer des restrictions au maniement de la machine.
- Soyez vigilant. Surveillez vos gestes. Faites preuve de bon sens. N'utilisez pas la machine lorsque vous êtes fatigué.

Équipement de protection individuel

- Portez des vêtements adéquats. Les vêtements portés doivent être fonctionnels et adéquats, c'est-à-dire moulants sans être toutefois gênants. Ne portez ni bijoux ni vêtements susceptibles de s'enchevêtrer dans la machine. Recouvrez les cheveux longs d'un filet à cheveux ou d'une coiffure similaire.
- Portez toujours des protections d'oreilles pour éviter la perte d'audition.
- Portez des lunettes de protection ou des lunettes à coques pour protéger vos yeux des projections d'objets et de débris.
- Portez des gants de protection pour protéger vos doigts contre les blessures.
- Portez un masque anti-poussières pour réduire le risque de blessure.
- Lorsque vous utilisez la machine, portez toujours des chaussures robustes à semelles antidérapantes, afin de vous protéger des blessures et de garantir un bon appui.
- Lorsque vous utilisez la machine, portez toujours des chaussures solides et un pantalon long. N'utilisez pas la machine pieds nus ou avec des sandales ouvertes.

Sécurité de la zone de travail

- Ne laissez approcher ni enfants ni badauds, y compris les animaux, pendant que vous utilisez la machine.
- Vérifiez que la zone de travail ne comporte pas de pierres, câbles, morceaux de verre ou autres corps étrangers. Les corps étrangers peuvent se coincer dans la machine ou être propulsés par la machine, ce qui présente un risque de dégâts ou de blessures.
- Utilisez uniquement la machine si vous avez une bonne visibilité et à la lumière du jour. N'utilisez pas la machine dans l'obscurité ou le brouillard.
- N'utilisez pas la machine dans un environnement explosif, en présence de liquides, gaz ou poussières inflammables par exemple. La machine produit des étincelles qui peuvent enflammer la poussière ou les émanations.
- N'exposez pas la machine à la pluie ou à l'humidité. En pénétrant dans la machine, l'eau peut augmenter le risque d'électrocution.

Démarrage de la machine

- Avant de brancher ou d'allumer la machine :
 - Assurez-vous que la fiche et le cordon sont en bon état.
 - Assurez-vous que les vis, écrous et autres dispositifs de fixation sont tous bien serrés.
 - Assurez-vous que les outils de coupe sont posés et en bon état de fonctionnement.
 - Assurez-vous que les protecteurs et les dispositifs de sécurité, comme le déflecteur ou le collecteur d'herbe fonctionnent correctement.
 - Assurez-vous que les orifices d'aération ne sont pas recouverts de poussière ou autres corps étrangers. Nettoyez-les avec une brosse souple ou un chiffon s'ils sont bouchés.
 - Remplacez les étiquettes abîmées ou illisibles.
 - Vérifiez soigneusement toutes les pièces de la machine, pour vous assurer qu'elles fonctionnent bien et remplissent leurs fonctions respectives. Surtout, n'utilisez jamais la machine si son interrupteur ne fonctionne pas bien.
 - Vérifiez que l'interrupteur est placé sur côté OFF pour empêcher un démarrage intempestif.
 - Assurez-vous que tous les outils pour l'entretien (comme une clé ou une clé de réglage) ont été retirés.
- Si le cordon d'alimentation est endommagé, demandez toujours à un centre de service après-vente Makita agréé de le remplacer à l'aide de pièces de rechange d'origine.
- N'utilisez jamais la machine si le dispositif de sécurité, comme le déflecteur ou le collecteur d'herbe, est endommagé ou absent.
- Lorsque vous allumez le moteur :
 - Éloignez les pieds des outils de coupe.
 - N'inclinez pas la machine.
 - Ne vous tenez pas devant l'ouverture d'évacuation.
 - Ne laissez jamais vos mains, toute autre partie du corps ou vêtement près des pièces en mouvement.

Sécurité électrique

- Assurez-vous que la fiche du connecteur sur la machine entre dans la prise avant utilisation.
- Ne modifiez jamais la fiche du connecteur.
- Ne maltraitez pas le cordon d'alimentation. Ne transportez jamais la machine par son cordon, ni ne tirez sur le cordon pour déplacer ou débrancher la machine. Tenez le cordon à l'écart de sources de chaleur, huile, bords tranchants ou pièces en mouvement. Le risque d'électrocution augmente si le cordon est endommagé ou entortillé.
- Vérifiez régulièrement la gaine isolante du cordon prolongateur. Si le cordon est abîmé, remplacez-le.
- Si le câble de connexion est endommagé, débranchez immédiatement la fiche secteur. Un câble endommagé peut entraîner une électrocution au contact des pièces sous tension.
- N'utilisez jamais de câbles endommagés.
- Éloignez le cordon et le cordon prolongateur des outils de coupe et des roues. Les outils de coupe peuvent endommager le câble et provoquer une électrocution.

- Lorsque vous utilisez la machine à l'extérieur, utilisez toujours un interrupteur à courant différentiel résiduel dont le courant de fonctionnement est de 30 mA ou moins.
- Utilisez uniquement un cordon prolongateur conçu pour l'usage extérieur et doté d'un connecteur étanche aux éclaboussures. La section transversale doit être d'au moins 1,5 mm² pour un cordon de 25 mètres ou moins et de 2,5 mm² pour un cordon de plus de 25 mètres.
- La machine ne devra être raccordée qu'à une alimentation de la même tension que celle qui figure sur la plaque signalétique, et elle ne pourra fonctionner que sur un courant secteur monophasé. Réalisée avec une double isolation, elle est conforme à la réglementation européenne et peut de ce fait être alimentée sans mise à la terre.
- Évitez tout contact physique avec les surfaces mises à la terre ou reliées à la masse (par ex., tuyaux, radiateurs, cuisinières électriques, réfrigérateurs).

Fonctionnement

- Évitez d'utiliser la machine sur de l'herbe mouillée. Redoublez de précaution lorsque vous travaillez sur de l'herbe mouillée pour éviter de glisser.
- Tenez fermement le guidon des deux mains pendant le fonctionnement. Le guidon doit toujours être sec et propre pour éviter les accidents.
- Ne courez pas. Mais marchez pendant que vous utilisez la machine.
- Portez une attention particulière à votre position lorsque vous travaillez en pente.
- Ne travaillez pas de haut en bas ou de bas en haut sur une pente. Travaillez toujours perpendiculairement à la pente.
- Redoublez particulièrement de précaution lorsque vous tournez la machine sur une pente.
- Ne travaillez jamais sur une pente raide.
- Soyez très prudent lorsque vous inversez ou tirez la machine vers vous.
- Ne vous penchez pas trop loin. Maintenez constamment votre équilibre et votre position. Vous aurez ainsi une meilleure maîtrise de la machine en cas de situations imprévues.
- N'oubliez jamais :
 - Éloignez les pieds des outils de coupe.
 - N'inclinez pas la machine.
 - Ne vous tenez pas devant l'ouverture d'évacuation.
 - Ne laissez jamais vos mains, toute autre partie du corps ou vêtement près des pièces en mouvement.
- Ne forcez pas la machine. Elle effectuera un travail de meilleure qualité, et de manière plus sûre, si vous l'utilisez au régime pour lequel elle a été conçue. Les surcharges fréquentes peuvent endommager le moteur ou provoquer un incendie.

- Coupez le moteur et débranchez la machine :
 - Chaque fois que vous devez laisser la machine sans surveillance
 - Avant de débloquent la machine ou de vérifier la cause d'une panne
 - Avant d'effectuer la vérification, le nettoyage ou l'entretien de la machine
 - Avant d'effectuer tout réglage, de remplacer des accessoires ou de ranger la machine
 - Lorsque la machine heurte un corps étranger. Patientez jusqu'à ce que la machine refroidisse. Inspectez la machine et remplacez les pièces au besoin avant de continuer à l'utiliser
 - Chaque fois que la machine se met à vibrer ou à émettre un bruit anormal
 - Pour poser ou retirer le collecteur d'herbe
 - Lorsque quelqu'un entre sur votre zone de travail
 - Lorsque vous rencontrez une surface autre que l'herbe
 - Pour transporter la machine.
- Arrêtez l'outil de coupe :
 - Si vous devez incliner la machine
 - Lorsque vous rencontrez des surfaces autres que l'herbe
 - Pour transporter la machine de et vers les surfaces à travailler.
- Faites attention aux outils de coupe. Ils ne s'arrêtent pas immédiatement après la mise hors tension.

Instructions de maintenance

- Confiez toujours votre machine à un centre de service après-vente agréé, qui n'utilise que des pièces de rechange d'origine. Une réparation incorrecte ou une mauvaise maintenance peuvent raccourcir la durée de service de la machine et augmentent les risques d'accident.
- Inspectez régulièrement la machine.
- Avant de faire l'entretien, l'inspection ou le réglage de la machine, et avant de la ranger ou de remplacer un accessoire, suivez les étapes ci-dessous :
 - Coupez le courant de la source d'alimentation
 - Débranchez la machine de la source d'alimentation
 - Assurez-vous que toutes les pièces mobiles sont parfaitement arrêtées
 - Laissez refroidir la machine.
- Inspectez la machine pour détecter d'éventuels dommages :
 - Vérifiez si les dispositifs de sécurité remplissent adéquatement la fonction pour laquelle ils sont conçus
 - Vérifiez si les pièces mobiles fonctionnent de manière fluide et adéquate
 - Vérifiez qu'aucune pièce n'est endommagée et qu'elles sont toutes bien posées
 - Vérifiez que l'outil de coupe n'est pas endommagé, usé ou déséquilibré
 - Vérifiez régulièrement que le collecteur d'herbe n'est pas endommagé ou usé
 - Vérifiez que tous les écrous, boulons et vis sont bien serrés
 - S'il y a des pièces endommagées ou usées, faites-les remplacer ou réparer dans un centre de service après-vente agréé.

- N'effectuez aucun travail de maintenance ou de réparation non décrit dans le présent manuel d'instructions. Tout autre travail doit être effectué par un centre de service après-vente Makita agréé.
- Utilisez uniquement des pièces de rechange et accessoires Makita d'origine conçus pour votre machine. Autrement vous risquez de vous blesser ou d'endommager la machine.
- Rangez la machine dans une pièce sèche. Gardez-la hors de portée des enfants. Ne rangez jamais la machine à l'extérieur.

Vibration

- Les personnes ayant une mauvaise circulation du sang qui sont exposées à des vibrations excessives peuvent présenter des lésions des vaisseaux sanguins ou du système nerveux. Les vibrations peuvent être à l'origine des symptômes suivants dans les doigts, les mains ou les poignets : engourdissement, picotement, douleur, douleur lancinante, changement de couleur de la peau ou de la peau elle-même. Si un ou plusieurs de ces symptômes apparaissent, consultez un médecin.
- Pour réduire le risque du syndrome de Raynaud, gardez vos mains au chaud pendant que vous utilisez la machine et maintenez dans un bon état l'équipement et les accessoires.

⚠ AVERTISSEMENT :

- Cette machine produit un champ électromagnétique pendant son fonctionnement. Il est conseillé aux personnes porteuses d'un implant médical de consulter leur médecin et le fabricant de l'implant avant d'utiliser cette machine. Sinon le champ électromagnétique risque d'affecter l'implant médical et provoquer des blessures graves.

ASSEMBLAGE

⚠ ATTENTION :

- Avant toute intervention sur la machine, assurez-vous toujours qu'elle est éteinte et débranchée.

Assemblage du guidon (Fig. 2, 3, 4)

- 1) Insérez la partie inférieure du guidon (6) dans le support (7). Alignez les trous de vis, puis serrez les vis. Procédez à cette opération des deux côtés.
- 2) Placez la partie intermédiaire du guidon (5) sur la partie inférieure du guidon (6). Alignez les trous de vis de ces guidons, puis serrez-les avec le bouton (4), l'entretoise et le boulon. Procédez à cette opération des deux côtés.
- 3) Placez la partie supérieure du guidon (3) sur la partie intermédiaire du guidon (5). Serrez chaque côté du guidon supérieur avec le bouton (4), l'entretoise et le boulon.
- 4) Serrez le cordon avec les clips (12) sur le guidon.

Assemblage du collecteur d'herbe

⚠ ATTENTION :

- N'utilisez pas la machine sans le collecteur d'herbe, car les objets projetés peuvent provoquer des blessures.
- Pour les appareils à évacuation arrière, dont les rouleaux arrière sont exposés et qui sont utilisés sans collecteur, il est recommandé de porter des lunettes de protection intégrale.

NOTE :

- La performance de la machine diminue lorsque le collecteur d'herbe est plein. Videz-le régulièrement avant qu'il ne soit saturé d'herbes.

Mise en place du collecteur d'herbe

Soulevez le déflecteur (10) et tenez-le. Insérez les crochets sur le collecteur d'herbe dans les rainures sur la machine.

Retrait du collecteur d'herbe

Soulevez le déflecteur (10) et tenez-le. Retirez le collecteur d'herbe en relâchant les crochets des rainures sur la machine.

Décharge de traction de cordon (Fig. 5)

La décharge de traction de cordon (2) permet d'empêcher le cordon de s'enchevêtrer dans la lame ou la roue.

Faites une petite boucle à l'extrémité du cordon secteur et faites-le passer par l'ouverture de la décharge de traction de cordon, puis accrochez-le au crochet.

Pensez toujours à la position du cordon pendant que vous utilisez la machine. Commencez à faire fonctionner la machine depuis le point le plus proche de la source d'alimentation pour empêcher le cordon d'être accidentellement coupé. Il est conseillé de garder le cordon sur l'épaule pendant le fonctionnement.

Retrait ou mise en place de l'outil de coupe**⚠ ATTENTION :**

- Portez des gants de protection.
- Redoublez de précaution lorsque vous manipulez l'outil de coupe. Il est très coupant et peut chauffer pendant le fonctionnement.
- Utilisez toujours un outil de coupe adapté à votre tâche.
- Avant d'utiliser la machine, assurez-vous que les deux boulons tenant l'outil de coupe sur la machine sont solidement serrés. N'utilisez pas la machine si le boulon est desserré ou manquant. S'il est endommagé, remplacez-le immédiatement.

Retrait de l'outil de coupe

- 1) Retirez le collecteur d'herbe (11).
- 2) Retirez le guidon de la machine.
- 3) Placez la machine à l'envers sur une surface plane.
- 4) Desserrez les deux boulons (16). Déposez-les ainsi que les rondelles élastiques.
- 5) Soulevez la partie roulement de l'outil de coupe (17), puis sortez l'outil de coupe (15) hors de l'arbre d'entraînement (18).

Mise en place de l'outil de coupe

- 1) Insérez l'outil de coupe en faisant glisser son écrou hexagonal dans la prise de l'arbre d'entraînement.
- 2) Serrez la partie roulement sur la machine avec les boulons et les rondelles élastiques.

DESCRIPTION DU FONCTIONNEMENT**⚠ AVERTISSEMENT :**

- Avant de brancher la machine, assurez-vous toujours qu'elle est éteinte. Il y a risque de démarrage intempestif et de blessure grave si l'on branche la machine alors que l'interrupteur est en position de marche.
- N'utilisez jamais la machine si le câble d'alimentation est endommagé. Vous risqueriez autrement de vous électrocuter.
- N'utilisez pas la machine s'il est impossible de l'allumer ou de l'éteindre avec l'interrupteur. Faites remplacer les interrupteurs défectueux dans un centre de service après-vente Makita agréé.

Levier de démarrage/arrêt

Pour démarrer la machine, maintenez enfoncé le bouton de déverrouillage (13), puis tirez complètement sur le levier de démarrage/arrêt (14) et tenez-le. Une fois le levier de démarrage/arrêt tiré, il n'est plus nécessaire de maintenir enfoncé le bouton de déverrouillage.

Pour arrêter la machine, il vous suffit de relâcher le levier de démarrage/arrêt.

Réglage de la hauteur

Réglez la hauteur de l'outil de coupe selon l'état de l'herbe.

Reportez-vous au tableau ci-dessous à titre indicatif pour les réglages de profondeur.

Hauteur	Utilisation	
	Scarification	Ratissage (accessoire en option)
+10 mm	Pour le transport et le stockage.	Pour le transport et le stockage. Ratissage de pelouses sensibles. Déchaumage des couches fines.
+5 mm	Scarification de pelouses sensibles. Déchaumage des couches fines. Deuxième scarification en automne.	Ratissage de pelouses normales.
0 mm	Scarification de pelouses normales. Déchaumage de pelouses normales.	Ratissage de pelouses épaisses et grossières.
-5 mm	Scarification de pelouses normales. Déchaumage de pelouses épaisses.	Ne PAS utiliser pour le ratissage.
-10 mm	Scarification de pelouses épaisses et grossières. Déchaumage de pelouses épaisses.	Ne PAS utiliser pour le ratissage.

Modification de la hauteur

Poussez le levier de réglage de la hauteur (9) en direction du côté de l'axe de roue et déplacez-le en haut ou en bas.

Protection contre la surcharge

Cette machine est dotée d'une protection contre la surcharge qui s'enclenche dans les situations suivantes :

- L'outil de coupe est bloqué par l'accumulation des résidus de la scarification.
- La machine essaie de scarifier plus d'herbe que le moteur ne peut supporter.
- Quelque chose entrave la rotation de l'outil de coupe.

Lorsque cette protection fonctionne, la machine s'éteint automatiquement.

Le cas échéant, débranchez la machine, patientez jusqu'à ce qu'elle refroidisse et retirez la cause de la surcharge avant de redémarrer la machine.

FONCTIONNEMENT

Astuces pour le fonctionnement :

- Coupez l'herbe avant d'utiliser la machine et fertilisez après.
- Réglez la profondeur de l'outil de coupe conformément à la hauteur de l'herbe et au climat.
- Évitez d'utiliser la machine sur de l'herbe mouillée, car elle a tendance à coller à l'orifice d'évacuation ou d'autres pièces de la machine. Vous risqueriez également de glisser et de tomber.
- Ne vous déplacez pas trop vite. Poussez lentement la machine. Sinon l'orifice d'évacuation peut se boucher et le moteur se surcharger.
- Essayez autant que possible de travailler en ligne droite.
- Faites des lignes de scarification se chevauchant légèrement. Cela permet de conserver la surface régulière et lisse.
- Lorsqu'un parterre de fleurs se trouve dans la zone de travail, faites un cercle ou deux autour du parterre.
- Faites particulièrement attention lorsque vous tournez la machine.
- Ne restez pas en un même endroit, sous peine d'abîmer l'herbe.

Astuces pour la scarification :

- Pensez toujours au climat. Un temps chaud, ensoleillé et humide est idéal pour la scarification, car la pelouse peut récupérer sainement. Par contre, évitez les temps froids et secs, et la chaleur excessive.
- Scarifiez la pelouse au printemps.
- Si le temps est humide l'été, scarifiez la pelouse au début de l'automne.
- Évitez de scarifier pendant les périodes très chaudes.
- Si le temps est très sec l'été, ne scarifiez pas l'automne.

Astuces pour le ratissage :

- Une grande quantité d'air est nécessaire pour la zone autour des racines de la pelouse pour préserver une croissance saine au printemps.
- Il est conseillé d'aérer la pelouse toutes les 4 à 6 semaines conformément à l'état de la pelouse.

ENTRETIEN

⚠ ATTENTION :

- Avant d'effectuer l'inspection ou la maintenance, assurez-vous toujours que la machine est éteinte et débranchée.
- Avant d'effectuer l'inspection ou la maintenance, mettez des gants de protection.
- L'outil de coupe ne s'arrête pas immédiatement après la mise hors tension. Avant d'effectuer tout travail de maintenance, attendez l'arrêt de toutes les pièces.
- Après le travail de maintenance, assurez-vous d'avoir retiré tous les outils.
- N'utilisez jamais d'essence, benzine, diluant, alcool ou autre produit similaire pour le nettoyage. Ils présentent un risque de décoloration, de déformation ou de fissuration. Pour nettoyer la machine, utilisez uniquement un chiffon humide et une brosse douce.
- N'arrosez pas ou ne nettoyez pas la machine avec de l'eau sous pression élevée.

Lors du transport de la machine, prêtez attention aux points suivants :

- Coupez le moteur, débranchez la machine et attendez que l'outil de coupe s'arrête.
- Réglez la profondeur de l'outil de coupe d'après la hauteur de transport.
- Transportez toujours la machine par son guidon.
- Évitez les impacts violents ou les vibrations importantes.
- Attachez solidement la machine si vous la chargez sur un véhicule.

Procédez aux étapes suivantes après chaque utilisation :

- Coupez le moteur, débranchez la machine et attendez que l'outil de coupe s'arrête.
- Nettoyez le collecteur d'herbe. Rangez-le dans une pièce sèche.
- Inspectez, nettoyez et rangez la machine dans une pièce sèche.

Procédez régulièrement aux tâches suivantes :

- Assurez-vous que toutes les fixations, comme les vis, les écrous, etc., sont serrées fermement.
- Assurez-vous qu'il n'y a pas de pièces desserrées, usées ou endommagées. Remplacez-les au besoin.
- Assurez-vous que les couvercles et les protections ne sont pas endommagés ou déformés.
- Si la machine se met à vibrer anormalement pendant le fonctionnement, il se peut que l'outil de coupe soit déséquilibré ou déformé en raison d'impacts causés par des corps étrangers. Le cas échéant, faites réparer ou remplacer l'outil de coupe par un centre de service après-vente agréé.
- L'outil de coupe s'use avec le temps. Vérifiez régulièrement l'état de l'outil de coupe et sa stabilité. Remplacez-le s'il est usé ou moins tranchant.
- Nettoyez et lubrifiez toutes les emplacements de vis avant le rangement.

DÉPANNAGE

AVERTISSEMENT : Avant de dépanner la machine, éteignez-la, débranchez-la et attendez son arrêt complet.

Problème	Cause possible	Solution
La machine ne démarre pas.	Le cordon d'alimentation n'est pas branché.	Branchez le cordon d'alimentation.
	Cordon d'alimentation défectueux.	Débranchez immédiatement. Confiez la réparation à votre centre de service après-vente Makita agréé local.
	Circuit électrique défectueux.	Confiez la réparation à votre centre de service après-vente Makita agréé local.
	Le bouton de déverrouillage n'est pas enfoncé.	Appuyez sur le bouton de déverrouillage et tirez sur le levier de démarrage/arrêt.
La machine émet des craquements.	Un corps étranger est coincé dans l'outil de coupe.	Coupez le moteur, débranchez la machine et attendez que l'outil de coupe s'arrête. Retirez ensuite le corps étranger.
La machine émet des bruits étranges.	Courroie défectueuse	Confiez la réparation à votre centre de service après-vente Makita agréé local.
La machine n'atteint pas sa puissance maximale.	La tension de la source d'alimentation est plus faible que requise.	Essayez sur une autre source d'alimentation. Assurez-vous que la source d'alimentation adéquate est déployée.
	Les orifices d'aération sont bouchés.	Nettoyez les orifices d'aération.
Performance médiocre.	L'herbe est trop haute.	Tondez la pelouse avant la scarification.
	L'outil de coupe est usé ou endommagé.	Remplacez-le.
	La surface à scarifier dépasse la capacité de la machine.	Scarifiez uniquement une surface conforme à la capacité de la machine.
	La profondeur à scarifier est incorrecte.	Réglez la profondeur de l'outil de coupe.

ACCESSOIRE EN OPTION

ATTENTION :

- Ces accessoires ou pièces complémentaires sont recommandés pour l'utilisation avec l'outil Makita spécifié dans ce manuel. L'utilisation de tout autre accessoire ou pièce complémentaire peut comporter un risque de blessure. N'utilisez les accessoires ou pièces complémentaires qu'aux fins pour lesquelles ils ont été conçus.
- Si vous désirez obtenir plus de détails concernant ces accessoires, veuillez contacter votre centre de service après-vente Makita local.

Il existe plusieurs types d'outil de coupe :

- **Lame spéciale scarification :** le bord tranchant d'une lame scarifie le sol et coupe les racines.
- **Lame de ratissage (accessoire en option) :** retire la pelouse et les feuilles grâce à de fines aiguilles.

REMARQUE :

- Il se peut que certains éléments de la liste soient compris dans l'emballage de l'outil en tant qu'accessoires standard. Ils peuvent varier d'un pays à l'autre.

Pour les pays d'Europe uniquement

Déclaration de conformité CE

Makita Corporation, en tant que fabricant responsable, déclare que la ou les machine(s) Makita suivante(s) :

Désignation de la machine :

Scarificateur Electrique

N° de modèle / Type : UV3200

Spécifications : voir le tableau « Données techniques ».

sont produites en série et

sont conformes aux directives européennes suivantes :

2000/14/CE amendé par 2005/88/CE, 2006/42/CE,
2004/108/CE

et qu'elles sont fabriquées conformément aux normes ou documents normalisés suivants :

EN60335-1, EN60335-2-92.

La documentation technique est conservée par :

Makita International Europe Ltd.

Service technique,

Michigan Drive, Tongwell,

Milton Keynes, Bucks MK15 8JD, Angleterre

La procédure de déclaration de conformité requise par la Directive 2000/14/CE était conforme à l'annexe V.

Niveau de puissance sonore mesuré : 97,25 dB (A)

Niveau de puissance sonore garanti : 99 dB (A)

10.1.2013



Tomoyasu Kato

Directeur

Makita Corporation

3-11-8, Sumiyoshi-cho,

Anjo, Aichi, 446-8502, JAPAN

BEZEICHNUNG DER TEILE (Abb. 1)

- | | | |
|-------------------------|--------------------------|-------------------------------|
| 1. Handgriff | 7. Halterung | 13. Einschaltsperrknopf |
| 2. Kabel-Zugentlastung | 8. Ventilationsöffnungen | 14. Start/Stopp-Hebel |
| 3. Obere Griffstange | 9. Höheneinstellhebel | 15. Schneidwerk |
| 4. Knopf | 10. Ablenklech | 16. Schraube und Federscheibe |
| 5. Mittlere Griffstange | 11. Grasfänger | 17. Lager |
| 6. Untere Griffstange | 12. Clip (x2) | 18. Antriebswelle |

TECHNISCHE DATEN

Modellbezeichnung	UV3200
Spannung	230–240 V
Frequenz	50 Hz
Nenneingangsleistung	1 300 W
Nettogewicht	12 kg
Leerlaufdrehzahl	3000min ⁻¹
Maximale Schnittbreite	320 mm
Höhenverstellbereich	5 Stufen (-10/-5/0/5/10 mm)
Grasfänger-Volumen	30 L
Schutzklasse	IPX4
Schalldruckpegel	77,97 dB (A), K= 2,50 dB (A)
Schalldruckpegel am Ohr des Bedieners	88,5 dB (A), K= 2,50 dB (A)
Gemessener Schalleistungspegel	97,25 dB (A), K= 1,84 dB (A)
Garantierter Schalleistungspegel	99 dB (A)
Vibration	4,513 m/s ² , K= 1,5 m/s ²

SYMBOLS

Im Folgenden werden die für die Maschine verwendeten Symbole beschrieben. Machen Sie sich vor der Benutzung mit ihrer Bedeutung vertraut.



- Gebrauchsanleitung lesen.



- Besondere Umsicht und Aufmerksamkeit erforderlich.



- Doppelte Isolierung.



- Schutzhandschuhe tragen.



- Feste Schuhe mit rutschfesten Sohlen tragen.



- Augen- und Gehörschutz tragen.



- Warten, bis alle Maschinenteile vollkommen still stehen.



- Auf scharfes Schneidwerk achten.



- Schalten Sie den Motor aus, und ziehen Sie den Netzstecker ab, bevor Sie die Maschine reinigen oder warten, oder falls das Netzkabel beschädigt ist.



- Objekte können mit hoher Geschwindigkeit herausgeschleudert werden.



- Halten Sie einen Sicherheitsabstand zwischen Umstehenden oder Haustieren und dem Arbeitsbereich ein.



- Das Gerät weder Regen noch Feuchtigkeit aussetzen.



- Ziehen Sie sofort den Netzstecker ab, falls das Netzkabel beschädigt oder durchgetrennt wird.



- Es besteht Stromschlaggefahr.



- Halten Sie das Kabel vom Schneidwerk oder den Rädern fern.



- Nur für EG-Länder
Werfen Sie Elektrogeräte nicht in den Hausmüll!
Gemäß der Europäischen Richtlinie über Elektro- und Elektronik-Altgeräte und ihre Umsetzung gemäß den Landesgesetzen müssen Elektrogeräte, die das Ende ihrer Lebensdauer erreicht haben, getrennt gesammelt und einer umweltgerechten Recycling-Einrichtung zugeführt werden.

- Legen Sie eine Ruhepause ein, um den Verlust der Kontrolle durch Ermüdung zu verhüten. Wir empfehlen, jede Stunde eine 10- bis 20-minütige Ruhepause einzulegen.
- Benutzen Sie die Maschine im Einklang mit dieser Anleitung unter Berücksichtigung der Arbeitsbedingungen und der Anwendung. Unbeabsichtigter Gebrauch der Maschine kann zu einer Gefahrensituation führen.
- Die Handhabung der Maschine kann durch staatliche oder lokale Bestimmungen eingeschränkt sein.
- Bleiben Sie wachsam. Lassen Sie bei der Arbeit Vorsicht walten. Seien Sie vernünftig. Benutzen Sie die Maschine nicht, wenn Sie müde sind.

SICHERHEITSHINWEISE

VOR GEBRAUCH SORGFÄLTIG LESEN BEDIENUNGSANLEITUNG FÜR SPÄTERE BEZUGNAHME AUFBEWAHREN



Nehmen Sie die Maschine erst in Betrieb, nachdem Sie diese Bedienungsanleitung gelesen haben. Befolgen Sie alle enthaltenen Anweisungen, und installieren Sie die Maschine wie beschrieben.

Verwendungszweck der Maschine

- Diese Maschine ist zum Vertikutieren oder Harken in Gärten vorgesehen.
- Der Vertikutierer ist nur für privaten Gebrauch, nicht für kommerziellen Einsatz, vorgesehen. Benutzen Sie ihn auch nicht an öffentlichen Orten.

Allgemeine Vorschriften

- Lesen Sie diese Bedienungsanleitung durch, um sich mit der Handhabung der Maschine vertraut zu machen. Die Handhabung der Maschine durch unzureichend informierte Benutzer erhöht die Gefahr von Bränden, elektrischen Schlägen oder Verletzungen für den Benutzer und andere Personen.
- Verleihen Sie die Maschine nicht an Personen, die keine einschlägige Erfahrung haben.
- Fügen Sie beim Verleihen der Maschine immer diese Bedienungsanleitung bei.
- Die Maschine sollte nicht von Personen mit reduzierten körperlichen, sensorischen oder geistigen Fähigkeiten oder mangelnder Erfahrung und Kenntnis benutzt werden. Kleine Kinder sollten beaufsichtigt werden, um sicherzugehen, dass sie nicht mit der Maschine spielen.
- Betreiben Sie die Maschine nur, wenn Sie sich in guter körperlicher Verfassung befinden. Führen Sie alle Arbeiten ruhig und sorgfältig durch. Der Benutzer ist für die Sicherheit von Personen und Schäden im Betriebsbereich verantwortlich.
- Benutzen Sie diese Maschine niemals nach der Einnahme von Alkohol oder Drogen, oder wenn Sie sich müde oder krank fühlen.

Persönliche Schutzausrüstung

- Zweckmäßige Kleidung tragen. Die Kleidung soll zweckmäßig und angemessen, d. h. eng anliegend, aber nicht hinderlich sein. Tragen Sie keine Schmuckgegenstände oder Kleidung, die sich an der Maschine verfangen können. Tragen Sie eine schützende Kopfbedeckung, um langes Haar zu raffen.
- Tragen Sie stets Gehörschützer, um Gehörschäden zu verhüten.
- Tragen Sie eine Schutzbrille, um die Augen vor fliegenden Objekten und Unrat zu schützen.
- Tragen Sie Schutzhandschuhe, um Verletzungen der Finger zu verhüten.
- Tragen Sie eine Staubmaske, um die Verletzungsgefahr zu verringern.
- Tragen Sie bei Gebrauch der Maschine stets festes Schuhwerk mit rutschfester Sohle. Dies schützt vor Verletzungen und gewährleistet guten Stand.
- Tragen Sie während der Benutzung der Maschine stets kräftiges Schuhwerk und eine lange Hose. Betreiben Sie die Maschine nicht barfuß oder mit offenen Sandalen.

Sicherheit im Arbeitsbereich

- Halten Sie Kinder und Umstehende, einschließlich Tieren, während der Benutzung der Maschine vom Arbeitsbereich fern.
- Überprüfen Sie den Arbeitsbereich auf Vorhandensein von Steinen, Drähten, Glas oder sonstigen Fremdkörpern. Fremdkörper können von der Maschine erfasst oder herausgeschleudert werden, was zu Beschädigung oder Verletzungen führen kann.
- Betreiben Sie die Maschine nur bei guten Sichtverhältnissen und Tageslicht. Betreiben Sie die Maschine nicht bei Dunkelheit oder Nebel.
- Betreiben Sie die Maschine nicht in explosiven Umgebungen, wie z. B. in Gegenwart von brennbaren Flüssigkeiten, Gasen oder Staub. Die Maschine erzeugt Funken, die den Staub oder die Dämpfe entzünden können.
- Setzen Sie die Maschine keinem Regen oder Nässe aus. In die Maschine eindringendes Wasser kann die Gefahr eines elektrischen Schlags erhöhen.

Starten der Maschine

- Bevor Sie den Stecker anschließen oder die Maschine einschalten:
 - Überprüfen Sie den Stecker und das Kabel, um sicherzustellen, dass sie in gutem Zustand sind.
 - Prüfen Sie, ob alle Schrauben, Muttern und andere Befestigungselemente einwandfrei festgezogen sind.

- Stellen Sie sicher, dass das Schneidwerk angebracht und in gutem Arbeitszustand ist.
- Stellen Sie sicher, dass Schutzbleche und Sicherheitsvorrichtungen, wie z. B. Ablenker oder Grasfänger, einwandfrei funktionieren.
- Stellen Sie sicher, dass die Ventilationsöffnungen nicht mit Staub oder sonstigen Fremdkörpern zugesetzt sind. Reinigen Sie die Öffnungen bei Verstopfung mit einer weichen Bürste oder einem Lappen.
- Ersetzen Sie beschädigte oder unlesbare Aufkleber.
- Überprüfen Sie alle Teile der Maschine sorgfältig, um festzustellen, ob sie einwandfrei funktioniert und ihren vorgesehenen Zweck erfüllt. Benutzen Sie die Maschine insbesondere dann nicht, wenn der Schalter nicht normal funktioniert.
- Stellen Sie sicher, dass der Schalter in der Aus-Stellung steht, um einen ungewollten Start zu verhüten.
- Stellen Sie sicher, dass alle Wartungswerkzeuge, wie Einstellschlüssel oder Schraubenschlüssel, entfernt sind.
- Falls das Versorgungskabel beschädigt ist, wenden Sie sich an eine autorisierte Makita-Kundendienststelle, um es durch ein Original-Ersatzteil ersetzen zu lassen.
- Benutzen Sie die Maschine keinesfalls, wenn eine Sicherheitsvorrichtung, wie z. B. das Ablenklech oder der Grasfänger, beschädigt oder nicht vorhanden ist.
- Beim Einschalten des Motors:
 - Halten Sie Ihre Füße vom Schneidwerk fern.
 - Kippen Sie die Maschine nicht.
 - Stellen Sie sich nicht vor die Auswurföffnung.
 - Bringen Sie Ihre Hände, andere Körperteile oder Kleidung niemals in die Nähe von beweglichen Teilen.

Elektrische Sicherheit

- Stellen Sie vor Gebrauch sicher, dass der Anschlussstecker an der Maschine in die Steckdose passt.
- Der Anschlussstecker darf auf keinen Fall abgeändert werden.
- Missbrauch des Kabels unterlassen. Benutzen Sie das Kabel niemals zum Tragen, Ziehen oder Abtrennen der Maschine. Halten Sie das Kabel von Hitze, Öl, scharfen Kanten oder beweglichen Teilen fern. Ein beschädigtes oder verheddertes Kabel erhöht die Stromschlaggefahr.
- Überprüfen Sie das Verlängerungskabel regelmäßig auf Beschädigung der Isolierung. Ersetzen Sie es bei Beschädigung.
- Falls das Verbindungskabel beschädigt wird, ziehen Sie sofort den Netzstecker ab. Ein beschädigtes Kabel kann Kontakt mit Strom führenden Teilen und einen elektrischen Schlag verursachen.
- Niemals ein beschädigtes Kabel verwenden.
- Halten Sie das Kabel und Verlängerungskabel von Schneidwerk und Rädern fern. Das Schneidwerk kann das Kabel beschädigen und einen elektrischen Schlag verursachen.
- Wenn Sie die Maschine im Freien benutzen, verwenden Sie immer einen Fehlerstrom-Schutzschalter (RCD) mit einem Betriebsstrom von maximal 30 mA.
- Verwenden Sie nur ein Verlängerungskabel für Freiluftbenutzung mit spritzwassergeschütztem Stecker. Der Kabelquerschnitt muss mindestens 1,5 mm² für Kabellängen bis zu 25 m, und 2,5 mm² für Kabellängen über 25 m betragen.
- Die Maschine sollte nur an eine Stromquelle angeschlossen werden, deren Spannung mit der Angabe auf dem Typenschild übereinstimmt, und kann nur mit Einphasen-Wechselstrom betrieben werden. Diese sind gemäß dem Europa-Standard doppelt schutzisoliert und können daher auch an Steckdosen ohne Erdleiter verwendet werden.
- Vermeiden Sie Körperkontakt mit geerdeten Gegenständen (z. B. Rohre, Kühler, Herde, Kühlschränke).

Betrieb

- Vermeiden Sie den Betrieb auf nassem Gras. Lassen Sie beim Arbeiten auf nassem Gras besondere Vorsicht walten, um Ausrutschen zu vermeiden.
- Halten Sie den Handgriff während des Betriebs mit beiden Händen fest. Halten Sie den Handgriff trocken und sauber, um Unfälle zu verhüten.
- Nicht laufen. Arbeiten Sie nur im Gehen.
- Achten Sie beim Arbeiten auf Böschungen besonders auf Ihren Halt.
- Führen Sie die Maschine auf einer Böschung nicht direkt nach oben oder unten. Arbeiten Sie immer entlang einer horizontalen Linie.
- Lassen Sie beim Wenden der Maschine auf einer Böschung besondere Vorsicht walten.
- Arbeiten Sie niemals auf einer steilen Böschung.
- Lassen Sie äußerste Vorsicht walten, wenn Sie die Maschine rückwärts betreiben oder auf sich zu ziehen.
- Übernehmen Sie sich nicht. Achten Sie stets auf sicheren Stand und gute Balance. Sie haben dann in unerwarteten Situationen eine bessere Kontrolle über die Maschine.
- Immer Folgendes beachten:
 - Halten Sie Ihre Füße vom Schneidwerk fern.
 - Kippen Sie die Maschine nicht.
 - Stellen Sie sich nicht vor die Auswurföffnung.
 - Bringen Sie Ihre Hände, andere Körperteile oder Kleidung niemals in die Nähe von beweglichen Teilen.
- Üben Sie keinen übermäßigen Druck auf die Maschine aus. Die Maschine kann ihren Zweck besser und sicherer erfüllen, wenn sie sachgemäß gehandhabt wird. Häufige Überlastung kann eine Beschädigung des Motors oder einen Brand verursachen.
- Motor ausschalten und Stecker abziehen:
 - Wann immer Sie die Maschine unbeaufsichtigt lassen
 - Bevor Sie eine Blockierung oder einen Fehler beseitigen
 - Bevor Sie die Maschine überprüfen, reinigen oder daran arbeiten
 - Bevor Sie Einstellungen vornehmen, Zubehör wechseln oder die Maschine lagern
 - Wenn die Maschine einen Fremdkörper erfasst. Warten Sie, bis die Maschine abgekühlt ist. Überprüfen Sie die Maschine, und wechseln Sie nötigenfalls Teile aus, bevor Sie die Arbeit fortsetzen
 - Wann immer die Maschine zu vibrieren beginnt oder ungewöhnliche Geräusche erzeugt

- Wenn der Grasfänger angebracht oder entfernt wird
- Wenn eine Person Ihren Arbeitsbereich betritt
- Wenn Sie andere Flächen außer Gras überqueren
- Beim Transportieren.
- Halten Sie das Schneidwerk an:
 - Falls Sie die Maschine gekippt haben
 - Wenn Sie andere Flächen außer Gras überqueren
 - Transportieren der Maschine zu und von den zu bearbeitenden Flächen.
- Achten Sie auf das Schneidwerk. Das Schneidwerk bleibt nicht sofort nach dem Ausschalten stehen.

Wartungsvorschriften

- Lassen Sie Ihre Maschine immer von einer unserer autorisierten Kundendienststellen unter Verwendung von Original-Ersatzteilen warten. Unsachgemäße Reparatur und schlechte Wartung können die Lebensdauer der Maschine verkürzen und die Unfallgefahr erhöhen.
- Führen Sie regelmäßige Inspektionen der Maschine durch.
- Vor Wartung, Inspektion, Einstellung, Lagerung oder Austausch eines Zubehörteils sind die folgenden Maßnahmen zu treffen:
 - Die Stromquelle abschalten
 - Die Maschine von der Stromversorgung trennen
 - Vergewissern Sie sich, dass alle beweglichen Teile zum vollständigen Stillstand gekommen sind.
 - Lassen Sie die Maschine abkühlen.
- Überprüfen Sie die Maschine auf mögliche Beschädigung:
 - Ob die Schutzvorrichtungen ihre bestimmungsgemäße Funktion erfüllen
 - Ab alle beweglichen Teile reibungslos und angemessen funktionieren
 - Ob alle Teile unbeschädigt und korrekt eingebaut sind
 - Überprüfen Sie das Schneidwerk auf etwaige Beschädigung, Abnutzung oder Unwucht
 - Überprüfen Sie den Grasfänger regelmäßig auf etwaige Beschädigung oder Abnutzung
 - Stellen Sie sicher, dass alle Muttern, Bolzen und Schrauben fest angezogen sind
 - Lassen Sie beschädigte oder abgenutzte Teile von einer unserer autorisierten Kundendienststellen austauschen oder reparieren.
- Führen Sie außer den in dieser Bedienungsanleitung beschriebenen Wartungs- oder Reparaturarbeiten keine anderen Arbeiten aus. Darüber hinausgehende Arbeiten müssen von einer autorisierten Makita-Kundendienststelle ausgeführt werden.
- Verwenden Sie nur für Ihre Maschine vorgesehene Original-Makita-Ersatz- und Zubehörteile. Anderenfalls kann es zu Verletzungen oder Beschädigung der Maschine kommen.
- Lagern Sie die Maschine in einem trockenen Raum. Halten Sie sie außer Reichweite von Kindern. Lagern Sie die Maschine keinesfalls im Freien.

Vibration

- Personen mit Kreislaufstörungen, die starken Vibrationen ausgesetzt werden, können Schädigungen der Blutgefäße oder des Nervensystems erleiden. Vibrationen können folgende Symptome an Fingern, Händen oder Handgelenken verursachen: „Einschlafen“ (Taubheit) der Körperteile, Prickeln, Schmerzen, Stechen, Veränderungen der Hautfarbe oder der Haut. Falls eines dieser Symptome auftritt, suchen Sie einen Arzt auf.
- Um die Gefahr des „vibrationsbedingten vasospastischen Syndroms“ (VVS) zu verringern, halten Sie Ihre Hände während der Arbeit warm, und sorgen Sie dafür, dass Ausrüstung und Zubehör gut gewartet sind.

⚠️ WARNUNG:

- Diese Maschine erzeugt ein elektromagnetisches Feld während der Arbeit. Personen mit medizinischen Implantaten sollten daher vor der Benutzung dieser Maschine Ihren Arzt und den Implantathersteller konsultieren. Anderenfalls kann das elektromagnetische Feld die medizinischen Implantate beeinflussen und ernsthafte Gesundheitsschäden verursachen.

MONTAGE

⚠️ VORSICHT:

- Vergewissern Sie sich vor der Ausführung von Arbeiten an der Maschine stets, dass sie ausgeschaltet und vom Stromnetz getrennt ist.

Zusammenbauen der Griffstange (Abb. 2, 3, 4)

- 1) Die untere Griffstange (6) in die Halterung (7) einführen. Die Schraubenbohrungen der Teile ausrichten, und dann die Teile mit Schrauben befestigen. Diesen Schritt auf beiden Seiten ausführen.
- 2) Die mittlere Griffstange (5) auf die untere Griffstange (6) setzen. Die Schraubenbohrungen dieser Griffstangen ausrichten, und dann die Teile mit Knopf (4), Distanzstück und Schraube befestigen. Diesen Schritt auf beiden Seiten ausführen.
- 3) Die obere Griffstange (3) auf die mittlere Griffstange (5) setzen. Beide Seiten der oberen Griffstange mit Knopf (4), Distanzstück und Schraube befestigen.
- 4) Das Kabel mit den Clips (12) an der Griffstange sichern.

Zusammenbauen des Grasfängers

⚠️ VORSICHT:

- Betreiben Sie die Maschine nicht ohne den Grasfänger. Anderenfalls können ausgeworfene Objekte Verletzungen verursachen.
- Für Anwendungen mit rückwärtigem Auswurf bei ausgesetzten hinteren Rollen ist voller Augenschutz zu tragen, wenn die Maschine ohne den Grasfänger benutzt wird.

HINWEIS:

- Die Leistung der Maschine verringert sich, wenn der Grasfänger voll ist. Leeren Sie den Grasfänger regelmäßig, bevor er ganz voll wird.

Anbringen des Grasfängers

Das Ablenkblech (10) hochziehen und festhalten. Die Haken am Grasfänger in die Nuten der Maschine einhängen.

Abnehmen des Grasfängers

Das Ablenklech (10) hochziehen und festhalten. Den Grasfänger durch Lösen der Haken aus den Nuten der Maschine abnehmen.

Kabel-Zugentlastung (Abb. 5)

Die Kabel-Zugentlastung (2) trägt dazu bei, Verfangen des Kabels an Messer oder Rad zu verhüten.

Machen Sie eine kleine Schleife am Ende des Netzkabels, ziehen Sie diese durch die Öffnung der Kabel-Zugentlastung, und hängen Sie sie dann an den Haken.

Berücksichtigen Sie während der Arbeit stets die Position des Kabels. Fangen Sie am nächsten Punkt zur Stromquelle mit der Arbeit an, um versehentliches Durchtrennen des Kabels zu verhüten. Es wird empfohlen, das Kabel während der Arbeit auf die Schulter zu legen.

Aus- und Einbauen des Schneidwerks

⚠ VORSICHT:

- Schutzhandschuhe tragen.
- Bei der Handhabung des Schneidwerks besondere Vorsicht walten lassen. Das Schneidwerk ist sehr scharf und kann während des Betriebs heiß werden.
- Verwenden Sie stets ein für die jeweilige Arbeit geeignetes Schneidwerk.
- Vergewissern Sie sich vor Arbeitsbeginn, dass die zwei Schrauben, mit denen das Schneidwerk an der Maschine befestigt ist, fest angezogen sind. Benutzen Sie die Maschine nicht, wenn die Schraube locker ist oder fehlt. Falls sie beschädigt ist, ersetzen Sie sie unverzüglich.

Ausbauen des Schneidwerks

- 1) Den Grasfänger (11) entfernen.
- 2) Die Griffstange von der Maschine abmontieren.
- 3) Die Maschine umgedreht auf eine flache Oberfläche legen.
- 4) Die zwei Schrauben (16) lösen. Die Schrauben und die Federscheiben entfernen.
- 5) Den Lagerteil des Schneidwerks (17) anheben, und dann das Schneidwerk (15) von der Antriebswelle (18) abziehen.

Einbauen des Schneidwerks

- 1) Den Sechskant des Schneidwerks in die Fassung der Antriebswelle einschieben.
- 2) Den Lagerteil mit den Schrauben und Federscheiben an der Maschine befestigen.

FUNKTIONSBESCHREIBUNG

⚠ WARNUNG:

- Vergewissern Sie sich immer, dass die Maschine ausgeschaltet ist, bevor Sie sie ans Stromnetz anschließen. Wird die Maschine bei eingeschaltetem Schalter angeschlossen, kann sie plötzlich anlaufen und schwere Verletzungen verursachen.
- Benutzen Sie die Maschine niemals mit beschädigtem Netzkabel. Anderenfalls kann es zu einem elektrischen Schlag kommen.
- Benutzen Sie die Maschine nicht, wenn sie sich nicht mit dem Netzschalter ein- und ausschalten lässt. Lassen Sie fehlerhafte Schalter von einer autorisierten Makita-Kundendienststelle auswechseln.

Start/Stop-Hebel

Zum Starten der Maschine den Einschaltsperrknopf (13) gedrückt halten, und dann den Start/Stop-Hebel (14) vollständig anziehen und festhalten. Wenn der Start/Stop-Hebel einmal gezogen wird, braucht der Einschaltsperrknopf nicht mehr gedrückt gehalten zu werden.

Zum Stoppen der Maschine lassen Sie einfach den Start/Stop-Hebel los.

Höheneinstellung

Je nach dem Zustand des Rasens muss die Höhe des Schneidwerks eingestellt werden.

Die nachstehende Tabelle enthält grobe Richtwerte für die Schnitthöheinstellung.

Höhe	Benutzung	
	Vertikutieren	Harken (Sonderzubehör)
+10 mm	Für Transport und Lagerung.	Für Transport und Lagerung. Harken von empfindlichem Rasen. Rasenfilz in dünnen Lagen entfernen.
+5 mm	Vertikutieren von empfindlichem Rasen. Rasenfilz in dünnen Lagen entfernen. Zweiter Vertikutierdurchgang im Herbst.	Harken von normalem Rasen.
0 mm	Vertikutieren von normalem Rasen. Rasenfilz in normalen Lagen entfernen.	Harken von grobem, dicken Rasen.
-5 mm	Vertikutieren von normalem Rasen. Rasenfilz in dicken Lagen entfernen.	NICHT für Harkarbeit verwenden.
-10 mm	Vertikutieren von grobem, dicken Rasen. Rasenfilz in dicken Lagen entfernen.	NICHT für Harkarbeit verwenden.

Ändern der Höhe

Den Höheneinstellhebel (9) zur Seite der Radachse drücken, und dann nach oben oder unten schieben.

Überlastschutz

Diese Maschine ist mit einem Überlastschutz ausgestattet, der in den folgenden Situationen aktiviert wird:

- Das Schneidwerk wird zugesetzt, weil sich Vertikutiergut drumherum angesammelt hat.
- Der Motor wird durch eine zu hohe Vertikutiereinstellung überfordert.
- Irgend etwas behindert die Drehung des Schneidwerks.

Wenn dieser Schutz in Kraft tritt, schaltet sich die Maschine automatisch aus.

Falls dies eintritt, ziehen Sie den Netzstecker ab, lassen Sie die Maschine abkühlen, und beseitigen Sie die Ursache der Überlastung, bevor Sie die Maschine wieder starten.

BETRIEB

Arbeitstipps:

- Mähen Sie den Rasen vor dem Vertikutieren, und düngen Sie ihn danach.
- Stellen Sie die Schnitttiefe des Schneidwerks entsprechend der Grashöhe und dem Wetter ein.
- Vermeiden Sie den Betrieb auf nassem Gras. Das Gras neigt sonst zum Anhaften an der Auswurföffnung und anderen Teilen der Maschine. Außerdem besteht erhöhte Gefahr, dass Sie ausrutschen und hinfallen.
- Rücken Sie nicht zu schnell vor. Schieben Sie die Maschine langsam. Anderenfalls kann sich die Auswurföffnung zusetzen, und der Motor kann überlastet werden.
- Arbeiten Sie entlang einer möglichst geraden Linie.
- Erzeugen Sie geringfügig überlappende Vertikutierlinien. So erhalten Sie eine gleichmäßige und ebene Fläche.
- Wenn ein Blumenbeet im Arbeitsbereich vorhanden ist, machen Sie einen oder zwei Kreise um das Blumenbeet.
- Lassen Sie beim Wenden der Maschine besondere Vorsicht walten.
- Bleiben Sie nicht an einer Position stehen. Dadurch wird der Rasen beschädigt.

Tipps zum Vertikutieren:

- Berücksichtigen Sie stets das Wetter. Warmes, sonniges und feuchtes Wetter eignet sich gut zum Vertikutieren, weil sich der Rasen besser erholen kann. Vermeiden Sie dagegen kaltes, heißes und trockenes Wetter.
- Vertikutieren Sie den Rasen während des Frühlings.
- Falls der Sommer feucht ist, vertikutieren Sie den Rasen im Frühjahr.
- Unterlassen Sie das Vertikutieren während der extrem heißen Sommerzeit.
- Falls der Sommer sehr trocken ist, vertikutieren Sie nicht im Herbst.

Tipps zum Harken:

- Reichlich Luft wird für den Wurzelbereich des Rasens benötigt, um gesundes Wachstum im Frühling aufrechtzuerhalten.
- Es wird empfohlen, den Rasen im Einklang mit seinem Zustand alle 4 – 6 Wochen zu aerifizieren.

WARTUNG

VORSICHT:

- Vergewissern Sie sich stets, dass die Maschine ausgeschaltet und vom Stromnetz getrennt ist, bevor Sie Inspektions- oder Wartungsarbeiten durchführen.
- Ziehen Sie Schutzhandschuhe an, bevor Sie Inspektions- oder Wartungsarbeiten durchführen.
- Das Schneidwerk bleibt nicht sofort nach dem Ausschalten stehen. Warten Sie, bis alle Teile still stehen, bevor Sie Wartungsarbeiten durchführen.
- Vergewissern Sie sich nach der Wartungsarbeit, dass alle Werkzeuge entfernt worden sind.
- Verwenden Sie auf keinen Fall Benzin, Benzol, Verdünner, Alkohol oder dergleichen zum Reinigen. Solche Mittel können Verfärbung, Verformung oder Rissbildung verursachen. Verwenden Sie ein feuchtes Tuch und eine weiche Bürste zum Reinigen der Maschine.
- Verwenden Sie keinen Wasserschlauch oder Hochdruckwasser zum Reinigen der Maschine.

Beim Transportieren der Maschine sind die folgenden Punkte zu beachten:

- Schalten Sie den Motor ab, ziehen Sie den Netzstecker ab, und warten Sie, bis das Schneidwerk zum Stillstand kommt.
- Stellen Sie die Tiefe des Schneidwerks auf die Transporthöhe ein.
- Halten Sie die Maschine zum Transportieren immer am Handgriff.
- Vermeiden Sie schwere Stöße oder starke Vibrationen.
- Sichern Sie die Maschine einwandfrei, wenn sie in ein Fahrzeug geladen wird.

Führen Sie die folgenden Schritte nach jeder Benutzung durch:

- Schalten Sie den Motor ab, ziehen Sie den Netzstecker ab, und warten Sie, bis das Schneidwerk zum Stillstand kommt.
- Reinigen Sie den Grasfänger. Lagern Sie ihn in einem trockenen Raum.
- Überprüfen und reinigen Sie die Maschine, und lagern Sie sie in einem trockenen Raum.

Führen Sie die folgenden Arbeiten regelmäßig durch:

- Stellen Sie sicher, dass alle Befestiger, z. B. Schrauben, Muttern usw., fest angezogen sind.
- Überprüfen Sie die Maschine auf Defekte, z. B. lose, abgenutzte oder beschädigte Teile. Ersetzen Sie die Teile nötigenfalls.
- Stellen Sie sicher, dass die Abdeckungen und Schutzbleche nicht beschädigt oder verformt sind.
- Falls die Maschine während des Betriebs anormal zu vibrieren beginnt, kann die Ursache in einem unausgewuchteten oder verformten Schneidwerk durch Aufprall von Fremdkörpern liegen. Lassen Sie das Schneidwerk bei Bedarf von einer autorisierten Kundendienststelle reparieren oder austauschen.
- Das Schneidwerk nutzt im Laufe der Zeit ab. Überprüfen Sie den Zustand des Schneidwerks und seine Stabilität regelmäßig. Tauschen Sie das Schneidwerk aus, wenn es abgenutzt oder stumpf geworden ist.
- Reinigen und schmieren Sie alle Schraubenteile vor der Lagerung.

FEHLERSUCHE

WARNUNG: Bevor Sie mit der Störungsbehebung beginnen, sollten Sie die Maschine ausschalten, den Netzstecker abziehen und warten, bis die Maschine vollkommen still steht.

Störung	Mögliche Ursache	Abhilfemaßnahme
Die Maschine startet nicht.	Die Stromversorgung ist nicht angeschlossen.	Schließen Sie die Stromversorgung an.
	Defekt des Netzkabels.	Ziehen Sie das Netzkabel sofort ab. Wenden Sie sich bezüglich einer Reparatur an Ihre autorisierte Makita-Kundendienststelle.
	Defekt im Stromkreis.	Wenden Sie sich bezüglich einer Reparatur an Ihre autorisierte Makita-Kundendienststelle.
	Der Einschaltsperrknopf wurde nicht gedrückt.	Drücken Sie den Einschaltsperrknopf, und ziehen Sie den Start/Stop-Hebel.
Die Maschine erzeugt Knackgeräusche.	Fremdkörper haben sich im Schneidwerk verfangen.	Schalten Sie den Motor aus, ziehen Sie den Netzstecker ab, und warten Sie, bis das Schneidwerk zum Stillstand kommt. Entfernen Sie dann den Fremdkörper.
Die Maschine erzeugt merkwürdige Geräusche.	Defekt des Antriebsriemens	Wenden Sie sich bezüglich einer Reparatur an Ihre autorisierte Makita-Kundendienststelle.
Die Maschine erreicht ihre Maximalleistung nicht.	Die Stromquelle hat eine niedrigere Spannung als erforderlich.	Versuchen Sie es mit einer anderen Stromquelle. Prüfen Sie, ob eine geeignete Stromquelle verwendet wird.
	Die Ventilationsöffnungen sind verstopft.	Reinigen Sie die Ventilationsöffnungen.
Schlechtes Ergebnis.	Das Gras ist zu hoch.	Mähen Sie das Gras vor dem Vertikutieren.
	Das Schneidwerk ist abgenutzt oder beschädigt.	Tauschen Sie es aus.
	Die vertikutierte Fläche überschreitet die Kapazität der Maschine.	Vertikutieren Sie nur Flächen, die der Maschinenkapazität entsprechen.
	Die Vertikutiertiefe ist nicht korrekt.	Stellen Sie die Tiefe des Schneidwerks ein.

SONDERZUBEHÖR

VORSICHT:

- Die folgenden Zubehörteile oder Vorrichtungen werden für den Einsatz mit dem in dieser Anleitung beschriebenen Makita-Gerät empfohlen. Die Verwendung anderer Zubehörteile oder Vorrichtungen kann eine Verletzungsgefahr darstellen. Verwenden Sie die Zubehörteile oder Aufsätze nur für ihre angegebenen Zwecke.
- Wenn Sie weitere Einzelheiten bezüglich dieser Zubehörteile benötigen, wenden Sie sich bitte an Ihre Makita-Kundendienststelle.

Mehrere Schneidwerk-Typen sind erhältlich:

- Vertikutiermesser - Die scharfe Schneide des Messers vertikutiert den Boden und schneidet Wurzeln.
- Harkmesser (Sonderzubehör) - Entfernt Gras und Blätter mit feinen Nadeln.

BEREMKUNG:

- Manche Teile in der Liste können als Standardzubehör im Werkzeugsatz enthalten sein. Sie können von Land zu Land unterschiedlich sein.

Nur für europäische Länder

EG-Übereinstimmungserklärung

Wir, die Firma Makita als verantwortlicher Hersteller, erklären, dass die folgende(n) Makita-Maschine(n):

Bezeichnung der Maschine:

Elektro-Vertikutierer

Modell-Nr./Typ: UV3200

Technische Daten: siehe Tabelle „Technische Daten“

der Serienproduktion entstammen und

den folgenden europäischen Richtlinien entsprechen:

2000/14/EG abgeändert durch 2005/88/EG, 2006/42/EG, 2004/108/EG

und gemäß den folgenden Standards oder standardisierten Dokumenten hergestellt werden:

EN60335-1, EN60335-2-92.

Die technische Dokumentation befindet sich im Bestand von:

Makita International Europe Ltd.

Technische Abteilung,

Michigan Drive, Tongwell,

Milton Keynes, Bucks MK15 8JD, England

Das von der Richtlinie 2000/14/EG geforderte Konformitätsbewertungsverfahren war in Übereinstimmung mit Anhang V.

Gemessener Schalleistungspegel: 97,25 dB (A)

Garantierter Schalleistungspegel: 99 dB (A)

10.1.2013



Tomoyasu Kato

Direktor

Makita Corporation

3-11-8, Sumiyoshi-cho,

Anjo, Aichi, 446-8502, JAPAN

AANDUIDING VAN ONDERDELEN (Fig. 1)

- | | | |
|-------------------------|----------------------------------|------------------------|
| 1. Handgreep | 7. Steun | 13. Ontgrendelingsknop |
| 2. Snoerontlasting | 8. Ventilatieopeningen | 14. Start/stop-hendel |
| 3. Bovenste stuurstang | 9. Hendel voor aanpassing hoogte | 15. Snijgereedschap |
| 4. Knop | 10. Afweerkap | 16. Bout en veerring |
| 5. Middelste stuurstang | 11. Grasopvangsysteem | 17. Lager |
| 6. Onderste stuurstang | 12. Klem (x2) | 18. Aandrijfas |

TECHNISCHE GEGEVENS

Modelnaam	UV3200
Spanning	230-240 V
Frequentie	50 Hz
Nominaal ingangsvermogen	1 300 W
Nettogewicht	12 kg
Onbelaste snelheid	3000min ⁻¹
Maximale snijbreedte	320 mm
Werkhoogtebereik	5 stappen (-10/-5/0/5/10 mm)
Inhoud grasopvangsysteem	30 l
Beschermingsklasse	IPX4
Geluidsdrukniveau	77,97 dB (A), K= 2,50 dB (A)
Geluidsdrukniveau bij oor gebruiker	88,5 dB (A), K= 2,50 dB (A)
Gemeten geluidsterkteniveau	97,25 dB (A), K= 1,84 dB (A)
Gegarandeerd geluidsterkteniveau	99 dB (A)
Trillingen	4,513 m/s ² , K= 1,5 m/s ²

SYMBOLEN

Hieronder worden de symbolen weergegeven die voor de machine worden gebruikt. Zorg dat u weet wat ze betekenen voordat u de machine gaat gebruiken.



- Lees de instructiehandleiding.



- Ga aandachtig en zorgvuldig te werk.



- Dubbele isolatie.



- Draag beschermingshandschoenen.



- Draag stevige laarzen met een antislipzool.



- Draag oog- en oorbescherming.



- Wacht totdat alle onderdelen van de machine helemaal tot stilstand zijn gekomen.



- Let goed op scherpe snijgereedschappen.



- Schakel de motor uit en haal de stekker uit het stopcontact voordat u reiniging of onderhoud verricht of als het netsnoer beschadigd is.



- Objecten kunnen op hoge snelheid worden uitgeworpen.



- Houd omstanders en huisdieren op veilige afstand van het werkterrein.



- Stel de machine niet bloot aan regen of vocht.



- Haal direct de stekker uit het stopcontact als het netsnoer beschadigd of doorgesneden is.



- Risico op elektrische schokken.



- Houd het snoer uit de buurt van de snijgereedschappen of wielen.



- Alleen voor EU-landen
Werp geen elektrische apparaten bij het huishoudelijk afval!
Met inachtneming van de Europese Richtlijn betreffende afgedankte elektrische en elektronische apparatuur en de implementatie van deze richtlijn in overeenstemming met nationale wetgeving, moeten elektrische apparaten die het einde van de levensduur bereikt hebben, gescheiden worden ingezameld en worden ingeleverd bij een recyclingbedrijf dat aan de milieurielrichtlijnen voldoet.

VEILIGHEIDSWAARSCHUWINGEN

LEES DIT ZORGVULDIG DOOR VÓÓR GEBRUIK BEWAAR DE INSTRUCTIEHANDLEIDING OM DEZE LATER TE KUNNEN RAADPLEGEN



Lees eerst deze bedieningshandleiding door voordat u de machine gaat gebruiken. Houd u aan alle gegeven instructies en installeer de machine zoals beschreven.

Bedoeld gebruik van de machine

- Deze machine is bedoeld voor het cultiveren of harken in tuinen.
- De cultivator is uitsluitend bedoeld voor persoonlijk gebruik, niet voor commercieel gebruik. Gebruik hem ook niet op openbare plaatsen.

Algemene instructies

- Lees deze instructiehandleiding, zodat u bekend raakt met het gebruik van de machine. Wanneer gebruikers die onvoldoende op de hoogte zijn, omgaan met de machine, wordt de kans op brand of elektrische schokken groter. Ook kunnen ze zichzelf en anderen in gevaar brengen.
- Leen de machine niet uit aan personen van wie u niet weet of ze er ervaring mee hebben.
- Voeg altijd deze instructiehandleiding bij als u de machine uitleent.
- De machine is niet bedoeld voor gebruik door personen met verminderde lichamelijke, zintuiglijke of geestelijke vermogens, of gebrek aan ervaring en kennis. Jonge kinderen moeten onder toezicht gehouden worden om ervoor te zorgen dat ze niet met de machine spelen.
- Gebruik de machine alleen als u in goede lichamelijke conditie verkeert. Voer alle werkzaamheden rustig en zorgvuldig uit. De gebruiker is verantwoordelijk voor de veiligheid van alle personen en voor alle schade rond het gebruiksgedebied.
- Gebruik deze machine nooit nadat u alcohol of drugs hebt gebruikt of wanneer u zich moe of ziek voelt.

- Rust even uit om te voorkomen dat u als gevolg van vermoeidheid de controle verliest. We raden u aan elk uur 10 tot 20 minuten rust te nemen.
- Gebruik de machine in overeenstemming met deze instructies, rekening houdend met de werkomstandigheden en de toepassing. Onbedoeld gebruik van de machine zou tot een gevaarlijke situatie kunnen leiden.
- Door landelijke of plaatselijke wetgeving kunnen beperkingen op het gebruik van de machine worden gelegd.
- Blijf alert. Let op wat u doet. Gebruik uw gezond verstand. Gebruik de machine niet als u moe bent.

Persoonlijke beschermingsmiddelen

- Draag de juiste kleding. Draag functionele en geschikte kleding, dus kleding die goed aansluit, maar u niet belemmert. Draag geen sieraden of kleren die in de machine verstrikt kunnen raken. Bedek lang haar met een kapje.
- Draag altijd overbescherming om gehoorschadiging te voorkomen.
- Draag een beschermingsbril om uw ogen te beschermen tegen rondvliegende voorwerpen en afval.
- Draag beschermingshandschoenen om vingerletsel te voorkomen.
- Draag een stofmasker om de kans op letsel te verkleinen.
- Draag bij het gebruik van de machine altijd stevige schoenen met een antislipzool. Zo beschermt u uzelf tegen letsel en zorgt u ervoor dat u stevig staat.
- Draag bij het gebruik van de machine altijd stevig schoeisel en een lange broek. Bedien de machine niet met blote voeten of als u open sandalen draagt.

Veilige werkomgeving

- Houd kinderen en omstanders, en ook dieren, uit de buurt terwijl u de machine gebruikt.
- Controleer of er geen stenen, bedrading, glas of ander tuinafval op het werkkterrein aanwezig is. Tuinafval kan in de machine vast komen te zitten of uit de machine worden geworpen, wat tot schade of letsel kan leiden.
- Gebruik de machine bij goed zicht en alleen bij daglicht. Gebruik de machine niet als het donker of mistig is.
- Gebruik de machine niet in explosieve atmosferen, zoals in de aanwezigheid van ontvlambare vloeistoffen, gassen of stof. De machine wekt vonken op die het stof of de dampen kunnen aansteken.
- Stel de machine niet bloot aan regen of vochtige omstandigheden. Als er water in de machine komt, kan de kans op elektrische schokken toenemen.

De machine opstarten

- Voordat u de stekker aansluit of de machine inschakelt:
 - Controleer of de stekker en het snoer in goede staat verkeren.
 - Controleer of alle schroeven, moeren en andere bevestigingsmiddelen stevig vastzitten.
 - Controleer of de snijgereedschappen aanwezig zijn en in goede staat verkeren.
 - Controleer of afschermingen en veiligheidsvoorzieningen, zoals afweerkappen of het grasopvangsysteem, goed functioneren.
 - Controleer of de ventilatieopeningen niet zijn bedekt door stof of ander vuil. Reinig ze met een zachte borstel of een doek als ze geblokkeerd zijn.

- Vervang beschadigde of onleesbare etiketten.
 - Controleer alle onderdelen van de machine zorgvuldig om vast te stellen of de machine goed functioneert en de bedoelde functie uitvoert. Gebruik de machine vooral nooit als de schakelaar niet goed werkt.
 - Controleer of de schakelaar in de uit-richting staat om te voorkomen dat de machine per ongeluk wordt gestart.
 - Controleer of alle gereedschappen voor onderhoud, zoals stelsleutels of steeksleutels, verwijderd zijn.
- Neem als het netsnoer beschadigd is, contact op met een erkend Makita onderhoudscentrum. Laat het snoer altijd door oorspronkelijke reserveonderdelen vervangen.
 - Gebruik de machine nooit als een veiligheidsvoorziening, zoals de afweerkap of het grasopvangsysteem, beschadigd is of ontbreekt.
 - Wanneer u de motor inschakelt:
 - Houd uw voeten uit de buurt van de snijgereedschappen.
 - Kantel de machine niet.
 - Ga niet voor de uitlaatopening staan.
 - Houd uw handen of andere lichaamsdelen of kleding nooit in de buurt van bewegende onderdelen.

Elektrische veiligheid

- Controleer vóór gebruik of de stekker van de machine in het stopcontact past.
 - Breng nooit wijzigingen aan de stekker aan.
 - Ga voorzichtig om met het snoer. Draag of trek de machine nooit aan het snoer en trek ook niet aan het snoer om de stekker uit het stopcontact te halen. Houd het snoer uit de buurt van hitte, olie, scherpe randen of bewegende onderdelen. Door beschadigde of in de knoop geraakte snoeren neemt de kans op elektrische schokken toe.
 - Controleer de verlengkabel regelmatig op schade aan de isolatie. Vervang deze bij beschadiging.
 - Haal direct de stekker uit het stopcontact als de aansluitkabel beschadigd is. Door een beschadigde kabel kunt u in aanraking komen met onderdelen onder spanning en een elektrische schok krijgen.
 - Gebruik nooit een beschadigd snoer.
 - Houd het snoer en de verlengkabel uit de buurt van de snijgereedschappen en wielen. Snijgereedschappen kunnen de kabel beschadigen en elektrische schokken veroorzaken.
 - Gebruik wanneer u de machine buitenshuis gebruikt, altijd een aardlekschakelaar met een werkstroom van 30 mA of minder.
 - Gebruik alleen een verlengkabel voor gebruik buitenshuis, met een spatbestendige aansluiting. De doorsnede van deze kabel moet ten minste 1,5 mm² bedragen voor kabellengtes tot 25 m en 2,5 mm² voor kabellengtes langer dan 25 m.
 - Sluit de machine alleen op een stroomvoorziening aan met dezelfde spanning als op het typeplaatje wordt aangeduid en alleen op netspanning met één fase. Deze aansluitingen zijn dubbel geïsoleerd in overeenstemming met de Europese norm en kunnen dus ook worden gebruikt in stopcontacten die niet geaard zijn.
 - Vermijd lichaamscontact met geaarde oppervlakken (bijvoorbeeld leidingen, radiatoren, fornuizen, koelkasten) tijdens gebruik.
- ### Gebruik
- Gebruik het apparaat niet op nat gras. Let bij het werken op nat gras goed op dat u niet uitglijdt.
 - Houd de handgreep met beide handen stevig vast tijdens gebruik. Houd de handgreep droog en schoon om ongelukken te voorkomen.
 - Ren niet met de machine. Loop alleen rustig als de machine in gebruik is.
 - Let vooral goed op waar u uw voeten neerzet wanneer u op een helling werkt.
 - Werk niet recht omhoog of recht omlaag op een helling. Werk altijd langs een horizontale lijn.
 - Let vooral goed op als u de machine op een helling draait.
 - Werk nooit op een steile helling.
 - Let vooral goed op wanneer u zich omkeert of de machine naar u toe trekt.
 - Reik niet boven uw macht. Zorg dat u altijd stevig en evenwichtig staat. Zo kunt u de machine beter onder controle houden in onverwachte situaties.
 - Onthoud altijd:
 - Houd uw voeten uit de buurt van de snijgereedschappen.
 - Kantel de machine niet.
 - Ga niet voor de uitlaatopening staan.
 - Houd uw handen of andere lichaamsdelen of kleding nooit in de buurt van bewegende onderdelen.
 - Forceer de machine niet. De machine werkt beter en veiliger op het tempo waarvoor deze is ontworpen. Regelmatige overbelasting kan schade aan de motor of brand veroorzaken.
 - Schakel de motor uit en haal de stekker uit het stopcontact:
 - Wanneer u de machine onbeheerd achterlaat
 - Voordat u een blokkade verwijdert of een storing verhelpt
 - Voordat u de machine controleert, reinigt of onderhoudt
 - Voordat u afstellingen verricht, accessoires verwisselt of de machine opbergt
 - Wanneer de machine een voorwerp raakt. Wacht tot de machine is afgekoeld. Inspecteer de machine en vervang indien nodig de onderdelen voordat u verder gaat met het gebruik
 - Wanneer de machine begint te trillen of ongebruikelijke geluiden maakt
 - Wanneer u het grasopvangsysteem bevestigt of verwijdert
 - Wanneer iemand uw werkterrein betreedt
 - Wanneer u andere oppervlakken dan gras oversteekt
 - Bij vervoer van de machine.
 - Stop het snijgereedschap:
 - Als u de machine moet kantelen
 - Wanneer u andere oppervlakken dan gras oversteekt
 - De machine van en naar werkoppervlakken vervoeren.
 - Let goed op de snijgereedschappen: ze stoppen niet direct nadat de machine is uitgeschakeld.

Onderhoudsinstructies

- Laat onderhoud aan de machine uitvoeren door een erkend Makita onderhoudscentrum. Gebruik altijd alleen originele reserveonderdelen. Onjuiste reparaties en slecht onderhoud kunnen de levensduur van de machine verkorten en de kans op ongelukken vergroten.
- Inspecteer de machine regelmatig.
- Neem de volgende stappen voordat u onderhoud, inspecties of afstellingen verricht, de machine opbergt of een accessoire verwisselt:
 - Schakel de stroom uit
 - Haal de stekker van de machine uit het stopcontact
 - Controleer of alle bewegende onderdelen volledig tot stilstand zijn gekomen
 - Laat de machine afkoelen.
- Inspecteer de machine op mogelijke schade:
 - Of veiligheidsvoorzieningen naar behoren werken voor het doel waarvoor ze zijn bestemd
 - Of alle bewegende onderdelen soepel en naar behoren werken
 - Of er geen onderdelen beschadigd zijn en alle onderdelen correct zijn geïnstalleerd
 - Controleer het snijgereedschap op schade, slijtage of onbalans
 - Controleer het grasopvangsysteem regelmatig op schade of slijtage
 - Controleer of alle moeren, bouten en schroeven stevig vastzitten
 - Laat eventuele beschadigde of versleten onderdelen vervangen of repareren door een erkend Makita onderhoudscentrum.
- Voer geen andere onderhouds- of reparatiewerkzaamheden uit dan beschreven in deze instructiehandleiding. Andere werkzaamheden moeten worden uitgevoerd door een erkend Makita onderhoudscentrum.
- Gebruik alleen oorspronkelijke Makita reserveonderdelen en accessoires die voor uw machine bedoeld zijn. Anders kan dit leiden tot persoonlijk letsel of schade aan de machine.
- Berg de machine op in een droge ruimte. Houd hem buiten bereik van kinderen. Berg de machine nooit buiten op.

Trillingen

- Mensen die problemen hebben met hun bloedsomloop en aan ernstige trillingen worden blootgesteld, kunnen schade aan bloedvaten of het zenuwstelsel oplopen. Trillingen kunnen de volgende symptomen veroorzaken in de vingers, handen of polsen: "Slapen" (gevoelloosheid), tintelen, pijn, steken, veranderingen in de huidskleur of de huid. Raadpleeg een arts als u een of meer van deze symptomen ervaart.
- Om de kans op het "fenomeen van Raynaud" te verminderen, dient u uw handen warm te houden tijdens gebruik en de apparatuur en accessoires goed te onderhouden.

⚠ WAARSCHUWING:

- Deze machine genereert tijdens gebruik een elektromagnetisch veld. Het verdient aanbeveling dat personen met medische implantaten eerst hun arts en de fabrikant van het implantaat raadplegen voordat ze deze machine gaan gebruiken. Anders kan het elektromagnetisch veld invloed uitoefenen op de medische implantaten, wat tot ernstig letsel kan leiden.

INEENZETTEN

⚠ LET OP:

- Controleer altijd of de machine uitgeschakeld is en de stekker uit het stopcontact verwijderd is voordat u er werkzaamheden aan uitvoert.

De stuurstang assembleren (Fig. 2, 3, 4)

- 1) Steek de onderste stuurstang (6) in de steun (7). Leg de schroefgaten op beide stuurstangen gelijk en zet ze dan met een schroef aan elkaar vast. Voer deze stap aan beide zijden uit.
- 2) Plaats de middelste stuurstang (5) op de onderste stuurstang (6). Leg de schroefgaten van deze stuurstangen gelijk en zet ze dan vast met de knop (4), de afstandsbus en de bout. Voer deze stap aan beide zijden uit.
- 3) Plaats de bovenste stuurstang (3) op de middelste stuurstang (5). Zet beide zijden van de bovenste stang vast met de knop (4), de afstandsbus en de bout.
- 4) Zet het snoer met de klemmen (12) op de stuurstang vast.

Het grasopvangsysteem assembleren

⚠ LET OP:

- Gebruik de machine niet zonder grasopvangsysteem. Anders kunnen uitgeworpen objecten letsel veroorzaken.
- Voor apparaten met de uitwerp aan de achterzijde waarbij de achterste rollen zichtbaar zijn en die zonder opvangsysteem worden gebruikt, dient u volledige oogbescherming te dragen.

OPMERKING:

- De prestaties van de machine lopen terug wanneer het grasopvangsysteem vol is. Maak het grasopvangsysteem regelmatig leeg voordat het helemaal vol raakt.

Het grasopvangsysteem installeren

Trek de afweerkap (10) omhoog en houd deze vast. Steek de haken op het grasopvangsysteem in de groeven op de machine.

Het grasopvangsysteem verwijderen

Trek de afweerkap (10) omhoog en houd deze vast. Verwijder het grasopvangsysteem door de haken uit de groeven op de machine te halen.

Snoerontlasting (Fig. 5)

De snoerontlasting (2) voorkomt dat het snoer in het mes of wiel terecht komt.

Maak een lusje aan het uiteinde van het netsnoer, leid het door de opening van de snoerontlasting en hang het vervolgens aan het haakje.

Houd bij gebruik van de machine altijd rekening met de positie van het snoer. Begin uw werkzaamheden zo dicht mogelijk bij de stroomvoorziening om te voorkomen dat u per ongeluk door het snoer snijdt. Het verdient aanbeveling het snoer tijdens gebruik over uw schouder te hangen.

Het snijgereedschap verwijderen of installeren

⚠ LET OP:

- Draag beschermingshandschoenen.
- Let goed op bij het hanteren van het snijgereedschap. Het is erg scherp en kan tijdens gebruik heet worden.
- Gebruik altijd het juiste snijgereedschap voor de juiste activiteit.
- Controleer vóór gebruik of de twee bouten, waarmee het snijgereedschap aan de machine vastzit, stevig aangedraaid zijn. Gebruik de machine niet als de bout loszit of ontbreekt. Vervang hem direct als hij beschadigd is.

Snijgereedschap verwijderen

- 1) Verwijder het grasopvangsysteem (11).
- 2) Verwijder de handgreep van de machine.
- 3) Leg de machine ondersteboven op een vlak oppervlak.
- 4) Maak de twee bouten (16) los. Verwijder de bouten en de veeringen.
- 5) Til de lager van het snijgereedschap (17) en trek het snijgereedschap (15) vervolgens van de aandrijfas (18) af.

Het snijgereedschap installeren

- 1) Plaats het snijgereedschap door de zeskantmoer in de aansluiting van de aandrijfas te schuiven.
- 2) Zet de lager met de bouten en veeringen aan de machine vast.

BESCHRIJVING VAN DE FUNCTIES

⚠ WAARSCHUWING:

- Controleer voordat u de machine op het stopcontact aansluit altijd of de machine uitgeschakeld is. Als u de machine op het stopcontact aansluit en de schakelaar aan staat, kan deze onverwacht starten, wat tot ernstig persoonlijk letsel kan leiden.
- Gebruik de machine nooit als het netsnoer beschadigd is. Anders kan dit elektrische schokken veroorzaken.
- Gebruik de machine niet als u deze niet met de schakelaar aan en uit kunt zetten. Laat defecte schakelaars door een erkend Makita onderhoudscentrum vervangen.

Start/stop-hendel

Druk op de ontgrendelingsknop (13) en houd deze ingedrukt. Trek vervolgens de start/stop-hendel (14) helemaal naar u toe en houd deze vast om de machine te starten. Wanneer u eenmaal aan de start/stop-hendel trekt, hoeft u de ontgrendelingsknop niet meer ingedrukt te houden.

U stopt de machine door de start/stop-hendel gewoon weer los te laten.

Hoogte-instelling

Afhankelijk van de hoogte van het gras kunt u de hoogte van het snijgereedschap instellen.

Zie de onderstaande tabel als ruwe indicatie voor diepte-instellingen.

Hoogte	Gebruik	
	Cultiveren	Harken (optioneel accessoire)
+10 mm	Voor vervoer en opslag.	Voor vervoer en opslag. Harken van kwetsbaar gazon. Dunne lagen verticuteren.
+5 mm	Cultiveren van kwetsbaar gazon. Dunne lagen verticuteren. De tweede cultivatorbewerking in de herfst.	Harken van normaal gazon.
0 mm	Cultiveren van normaal gazon. Normale lagen verticuteren.	Harken van dik gazon.
-5 mm	Cultiveren van normaal gazon. Dikke lagen verticuteren.	NIET gebruiken om te harken.
-10 mm	Harken van ruw dik gazon. Dikke lagen verticuteren.	NIET gebruiken om te harken.

De hoogte wijzigen

Druk de hoogte-instellingshendel (9) naar binnen in de richting van de wielas en beweeg deze omhoog of omlaag.

Overbelastingsbeveiliging

Deze machine is voorzien van een overbelastingsbeveiliging, die onder de volgende situaties ingeschakeld wordt:

- Het snijgereedschap raakt geblokkeerd omdat zich gecultiveerd tuinafval opgehoopt heeft rond het gereedschap.
- De machine probeert meer te cultiveren dan de motor aankan.
- Iets belemmert het draaien van het snijgereedschap.

Wanneer deze bescherming werkt, wordt de machine automatisch uitgeschakeld.

In dit geval haalt u de stekker van de machine uit het stopcontact, wacht u tot de machine afgekoeld is en verwijdert u de oorzaak van de overbelasting voordat u de machine weer start.

BEDIENING

Gebruikstips:

- Maai uw gazon voordat u gaat cultiveren en bemest het na het cultiveren.
- Stel de diepte van het snijgereedschap afhankelijk van de hoogte van het gras en het weer in.
- Gebruik de machine niet op nat gras. Het kan aan de uitlaatopening en andere onderdelen van de machine blijven plakken. Ook kunt u hierdoor uitglijden en vallen.
- Loop niet te snel. Duw de machine langzaam vooruit. Anders kan de uitlaatopening geblokkeerd en de motor overbelast raken.
- Gebruik de machine in een zo recht mogelijke lijn.

- Maak een stukje overlappende gecultiveerde lijnen. Dit zorgt voor een gelijkmatig en vlak oppervlak.
- Wanneer er een bloemperk in het te cultiveren gebied ligt, maakt u een of twee cirkels rond het bloemperk.
- Let vooral goed op als u de machine draait.
- Blijf niet op één plaats. Dan beschadigt u het gras.

Tips voor het cultiveren:

- Houd altijd rekening met het weer. Warm, zonnig en vochtig weer is goed om te cultiveren, omdat het gazon dan goed kan herstellen. Vermijd echter kou, hitte, droogte.
- Cultiveer het gazon in de lente.
- Cultiveer na een natte zomer het gazon aan het begin van de herfst.
- Cultiveer niet in een periode van extreem heet weer.
- Cultiveer na een heel droge zomer het gazon niet in de herfst.

Tips voor het harken:

- Er is veel lucht nodig voor het gebied rond de wortels van het gazon om in de lente goed te kunnen groeien.
- Het verdient aanbeveling het gazon elke 4 – 6 weken te beluchten, afhankelijk van de staat van het gazon.

ONDERHOUD

LET OP:

- Controleer altijd of de machine uitgeschakeld is en de stekker uit het stopcontact verwijderd is voordat u inspecties of onderhoud verricht.
- Draag beschermingshandschoenen voordat u inspecties of onderhoud verricht.
- Het mes stopt niet direct nadat de machine is uitgeschakeld. Wacht totdat alle onderdelen tot stilstand zijn gekomen voordat u onderhoudswerkzaamheden verricht.
- Ruim alle gereedschappen op nadat u onderhoudswerkzaamheden hebt verricht.
- Gebruik nooit benzine, benzeen, thinner, alcohol of iets dergelijks om de machine te reinigen. Deze stoffen kunnen leiden tot verkleuring, vervorming of barsten. Reinig de machine uitsluitend met een vochtige doek en een zachte borstel.
- Reinig de machine niet met een tuinslang of hogedrukreiniger.

Let bij het vervoeren van de machine op de volgende punten:

- Schakel de motor uit, haal de stekker uit het stopcontact en wacht tot het snijgereedschap stopt.
- Pas de diepte van het snijgereedschap aan de transporthoogte aan.
- Vervoer de machine altijd aan de handgreep.
- Voorkom zware klappen of heftige trillingen.
- Zet de machine stevig vast als u deze op een voertuig vervoert.

Voer na elk gebruik de volgende stappen uit:

- Schakel de motor uit, haal de stekker uit het stopcontact en wacht tot het snijgereedschap stopt.
- Reinig het grasopvangsysteem. Berg de machine op in een droge ruimte.
- Controleer, reinig en bewaar de machine in een droge ruimte.

Voer de volgende werkzaamheden regelmatig uit:

- Controleer of alle klemmen, zoals schroeven, moeren enzovoort stevig vastzitten.

- Controleer op defecten zoals losse, versleten of beschadigde onderdelen. Vervang deze indien nodig.
- Controleer of de kappen en afschermingen niet beschadigd of vervormd zijn.
- Als de machine opvallend veel begint te trillen tijdens gebruik, kan dat veroorzaakt worden door een snijgereedschap dat uit balans of vervormd is als gevolg van botsingen tegen voorwerpen. Laat het snijgereedschap in dat geval repareren of vervangen door een erkend onderhoudscentrum.
- Het snijgereedschap raakt na verloop van tijd versleten. Controleer regelmatig de staat en stabiliteit van het snijgereedschap. Vervang het als het versleten of bot geworden is.
- Reinig en smeer alle schroefonderdelen voordat u de machine opbergt.

PROBLEEMEN OPLOSSEN

WAARSCHUWING: schakel de machine uit, haal de stekker uit het stopcontact en wacht totdat de machine volledig tot stilstand is gekomen voordat u problemen gaat oplossen.

Probleem	Mogelijke oorzaak	Oplossing
De machine start niet.	Het netsnoer is niet aangesloten.	Sluit het netsnoer aan.
	Defect in netsnoer.	Haal direct uit het stopcontact. Vraag het erkende Makita onderhoudscentrum om de machine te repareren.
	Defect in stroomcircuit.	Vraag het erkende Makita onderhoudscentrum om de machine te repareren.
	Ontgrendelingsknop is niet ingedrukt.	Druk op de ontgrendelingsknop en trek aan de start/stop-hendel.
Er komen krakende geluiden uit de machine.	Er zit tuinafval vast in het snijgereedschap.	Schakel de motor uit, haal de stekker uit het stopcontact en wacht tot het snijgereedschap stopt. Verwijder vervolgens het tuinafval.
Er komen vreemde geluiden uit de machine.	Defect in aandrijfriem.	Vraag het erkende Makita onderhoudscentrum om de machine te repareren.
De machine bereikt het maximale vermogen niet.	Het netsnoer is op een te lage spanning aangesloten.	Probeer een ander stopcontact. Controleer of de juiste netspanningsbron wordt gebruikt.
	Ventilatieopeningen zijn verstopt.	Reinig de ventilatieopeningen.
Slecht resultaat.	Het gras is te hoog.	Maai het gras voordat u gaat cultiveren.
	Snijgereedschap is versleten of beschadigd.	Vervang het.
	Te cultiveren oppervlak overtreft het vermogen van de machine.	Cultiveer alleen een oppervlak dat geschikt is voor het vermogen van de machine.
	Cultiveerdiepte is onjuist.	Pas de diepte van het snijgereedschap aan.

OPTIONEEL ACCESSOIRE

LET OP:

- Deze accessoires of hulpstukken worden aanbevolen voor gebruik met uw Makita gereedschap dat in deze handleiding gespecificeerd wordt. Het gebruik van andere accessoires of hulpstukken kan een risico op letsel aan personen vertegenwoordigen. Gebruik de accessoires of hulpstukken alleen voor het doel waarvoor ze zijn bestemd.
- Als u hulp nodig hebt of meer informatie over deze accessoires, neemt u contact op met uw plaatselijke Makita onderhoudscentrum.

Er zijn verschillende soorten snijgereedschappen:

- Cultivatormes - de scherpe rand van een mes cultiveert de grond en snijdt door de wortels.
- Harkmes (optioneel accessoire) - verwijdert gras en bladeren met fijne tandjes van het gazon.

KENNISGEVING:

- Sommige onderdelen in de lijst worden mogelijk in het gereedschapspakket als standaardaccessoires bijgeleverd. Deze kunnen van land tot land verschillen.

Alleen voor Europese landen

EG-Verklaring van Conformiteit

Wij, Makita Corporation, als de verantwoordelijke fabrikant, verklaren dat de volgende Makita-machine(s):

Aanduiding machine:

Elektrische cultivator

Modelnr./type: UV3200

Specificaties: zie de tabel "Technische gegevens".

deel uitmaakt/uitmaken van een serieproductie en

voldoet/voldoen aan de volgende Europese richtlijnen:

2000/14/EG, gewijzigd door 2005/88/EG, 2006/42/

EG, 2004/108/EG

en is/zijn gefabriceerd in overeenstemming met de volgende normen of genormaliseerde documenten:

EN60335-1, EN60335-2-92.

De technische documentatie wordt bijgehouden door:

Makita International Europe Ltd.

Technische afdeling,

Michigan Drive, Tongwell,

Milton Keynes, Bucks MK15 8JD, Engeland

De conformiteitsevaluatieprocedure die vereist is volgens Richtlijn 2000/14/EG, was in overeenstemming met bijlage V.

Gemeten geluidssterkteniveau: 97,25 dB (A)

Gegarandeerd geluidssterkteniveau: 99 dB (A)

10.1.2013



Tomoyasu Kato

Directeur

Makita Corporation

3-11-8, Sumiyoshi-cho,

Anjo, Aichi, 446-8502, JAPAN

Makita Corporation
3-11-8, Sumiyoshi-cho,
Anjo, Aichi 446-8502 Japan

UV3200-23L-1012

IDE

www.makita.com