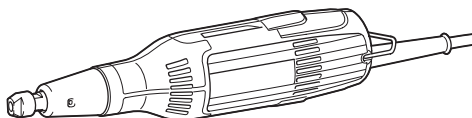
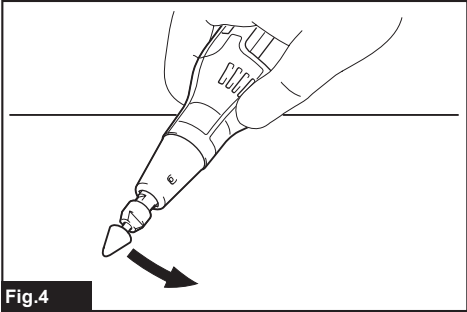
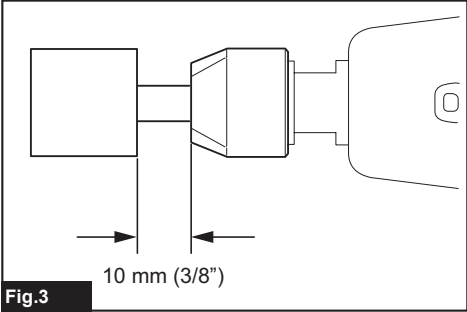
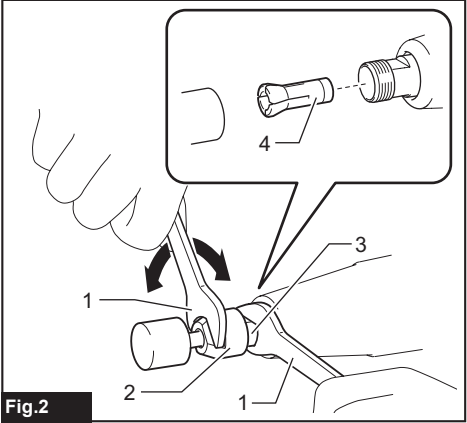
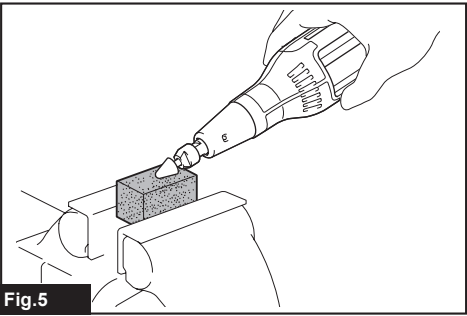
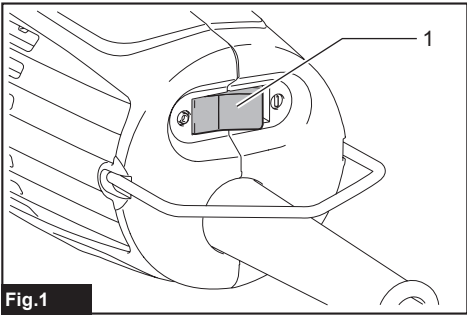




<b>EN</b>	Die Grinder	INSTRUCTION MANUAL	3
<b>FR</b>	Meuleuse droite	MANUEL D'INSTRUCTIONS	7
<b>DE</b>	Geradschleifer	BETRIEBSANLEITUNG	11
<b>IT</b>	Smerigliatrice diritta	ISTRUZIONI PER L'USO	16
<b>NL</b>	Stempelslijpmachine	GEBRUIKSAANWIJZING	20
<b>ES</b>	Rectificador	MANUAL DE INSTRUCCIONES	24
<b>PT</b>	Retificadeira	MANUAL DE INSTRUÇÕES	28
<b>DA</b>	Ligesliber	BRUGSANVISNING	32
<b>EL</b>	Λειαντής	ΕΓΧΕΙΡΙΔΙΟ ΟΔΗΓΙΩΝ	36
<b>TR</b>	Kalıpçı taşlama makinası	KULLANMA KILAVUZU	41

## GD0603





# SPECIFICATIONS

<b>Model:</b>		<b>GD0603</b>
Collet size (country specific)		6 mm or 1/4"
Max. wheel point size	Max. wheel diameter	19 mm
	Max. mandrel (shank) length	38 mm
Rated speed (n)/No load speed (n <sub>0</sub> )		28,000 min <sup>-1</sup>
Overall length		289 mm
Net weight		0.97 kg
Safety class		□/II

- Due to our continuing program of research and development, the specifications herein are subject to change without notice.
- Specifications may differ from country to country.
- Weight according to EPTA-Procedure 01/2003

## Intended use

The tool is intended for grinding ferrous materials or deburring castings.

## Power supply

The tool should be connected only to a power supply of the same voltage as indicated on the nameplate, and can only be operated on single-phase AC supply. They are double-insulated and can, therefore, also be used from sockets without earth wire.

## Noise

The typical A-weighted noise level determined according to EN60745:

Sound pressure level (L<sub>pA</sub>) : 76 dB(A)  
Uncertainty (K) : 3 dB(A)

The noise level under working may exceed 80 dB (A).

**⚠ WARNING: Wear ear protection.**

## Vibration

The vibration total value (tri-axial vector sum) determined according to EN60745:

Work mode: surface grinding  
Vibration emission (a<sub>n</sub>) : 2.5 m/s<sup>2</sup> or less  
Uncertainty (K) : 1.5 m/s<sup>2</sup>

**NOTE:** The declared vibration emission value has been measured in accordance with the standard test method and may be used for comparing one tool with another.

**NOTE:** The declared vibration emission value may also be used in a preliminary assessment of exposure.

## EC Declaration of Conformity

### For European countries only

Makita declares that the following Machine(s):

Designation of Machine: Die Grinder

Model No./ Type: GD0603

Conforms to the following European Directives: 2006/42/EC

They are manufactured in accordance with the following standard or standardized documents: EN60745

The technical file in accordance with 2006/42/EC is available from:

Makita, Jan-Baptist Vinkstraat 2, 3070, Belgium  
25.2.2015



Yasushi Fukaya

Director

Makita, Jan-Baptist Vinkstraat 2, 3070, Belgium

## General power tool safety warnings

**⚠ WARNING: Read all safety warnings and all instructions.** Failure to follow the warnings and instructions may result in electric shock, fire and/or serious injury.

## Save all warnings and instructions for future reference.

The term "power tool" in the warnings refers to your mains-operated (corded) power tool or battery-operated (cordless) power tool.

## Die grinder safety warnings

**Safety Warnings Common for Grinding Operation:**

1. **This power tool is intended to function as a grinder. Read all safety warnings, instructions, illustrations and specifications provided with this power tool.** Failure to follow all instructions listed below may result in electric shock, fire and/or serious injury.

2. **Operations such as sanding, wire brushing, polishing or cutting-off are not recommended to be performed with this power tool.** Operations for which the power tool was not designed may create a hazard and cause personal injury.
3. **Do not use accessories which are not specifically designed and recommended by the tool manufacturer.** Just because the accessory can be attached to your power tool, it does not assure safe operation.
4. **The rated speed of the accessory must be at least equal to the maximum speed marked on the power tool.** Accessories running faster than their rated speed can break and fly apart.
5. **The outside diameter and the thickness of your accessory must be within the capacity rating of your power tool.** Incorrectly sized accessories cannot be adequately controlled.
6. **The arbour size of accessories must properly fit the collet of the power tool.** Accessories that do not match the mounting hardware of the power tool will run out of balance, vibrate excessively and may cause loss of control.
7. **Mandrel mounted accessories must be fully inserted into the collet or chuck.** If the mandrel is insufficiently held and/or the overhang of the wheel is too long, the mounted accessory may become loose and be ejected at high velocity.
8. **Do not use a damaged accessory. Before each use inspect the accessory such as abrasive wheels for chips and cracks. If power tool or accessory is dropped, inspect for damage or install an undamaged accessory. After inspecting and installing an accessory, position yourself and bystanders away from the plane of the rotating accessory and run the power tool at maximum no-load speed for one minute.** Damaged accessories will normally break apart during this test time.
9. **Wear personal protective equipment. Depending on application, use face shield, safety goggles or safety glasses. As appropriate, wear dust mask, hearing protectors, gloves and workshop apron capable of stopping small abrasive or workpiece fragments.** The eye protection must be capable of stopping flying debris generated by various operations. The dust mask or respirator must be capable of filtrating particles generated by your operation. Prolonged exposure to high intensity noise may cause hearing loss.
10. **Keep bystanders a safe distance away from work area. Anyone entering the work area must wear personal protective equipment.** Fragments of workpiece or of a broken accessory may fly away and cause injury beyond immediate area of operation.
11. **Hold power tool by insulated gripping surfaces only, when performing an operation where the cutting accessory may contact hidden wiring or its own cord.** Cutting accessory contacting a "live" wire may make exposed metal parts of the power tool "live" and could give the operator an electric shock.
12. **Always hold the tool firmly in your hand(s) during the start-up.** The reaction torque of the motor, as it accelerates to full speed, can cause the tool to twist.
13. **Use clamps to support workpiece whenever practical. Never hold a small workpiece in one hand and the tool in the other hand while in use.** Clamping a small workpiece allows you to use your hand(s) to control the tool. Round material such as dowel rods, pipes or tubing have a tendency to roll while being cut, and may cause the bit to bind or jump toward you.
14. **Position the cord clear of the spinning accessory.** If you lose control, the cord may be cut or snagged and your hand or arm may be pulled into the spinning accessory.
15. **Never lay the power tool down until the accessory has come to a complete stop.** The spinning accessory may grab the surface and pull the power tool out of your control.
16. **After changing the bits or making any adjustments, make sure the collet nut, chuck or any other adjustment devices are securely tightened.** Loose adjustment devices can unexpectedly shift, causing loss of control, loose rotating components will be violently thrown.
17. **Do not run the power tool while carrying it at your side.** Accidental contact with the spinning accessory could snag your clothing, pulling the accessory into your body.
18. **Regularly clean the power tool's air vents.** The motor's fan will draw the dust inside the housing and excessive accumulation of powdered metal may cause electrical hazards.
19. **Do not operate the power tool near flammable materials.** Sparks could ignite these materials.
20. **Do not use accessories that require liquid coolants.** Using water or other liquid coolants may result in electrocution or shock.

#### **Kickback and Related Warnings**

Kickback is a sudden reaction to a pinched or snagged rotating accessory. Pinching or snagging causes rapid stalling of the rotating accessory which in turn causes the uncontrolled power tool to be forced in the direction opposite of the accessory's rotation.

For example, if an abrasive wheel is snagged or pinched by the workpiece, the edge of the wheel that is entering into the pinch point can dig into the surface of the material causing the wheel to climb out or kick out. The wheel may either jump toward or away from the operator, depending on direction of the wheel's movement at the point of pinching. Abrasive wheels may also break under these conditions.

Kickback is the result of power tool misuse and/or incorrect operating procedures or conditions and can be avoided by taking proper precautions as given below.

1. **Maintain a firm grip on the power tool and position your body and arm to allow you to resist kickback forces.** The operator can control kickback forces, if proper precautions are taken.
2. **Use special care when working corners, sharp edges etc. Avoid bouncing and snagging the accessory.** Corners, sharp edges or bouncing have a tendency to snag the rotating accessory and cause loss of control or kickback.

3. **Do not attach a toothed saw blade.** Such blades create frequent kickback and loss of control.
4. **Always feed the bit into the material in the same direction as the cutting edge is exiting from the material (which is the same direction as the chips are thrown).** Feeding the tool in the wrong direction causes the cutting edge of the bit to climb out of the work and pull the tool in the direction of this feed.

#### Safety Warnings Specific for Grinding:

1. **Use only wheel types that are recommended for your power tool and only for recommended applications.**
2. **Do not position your hand in line with and behind the rotating wheel. When the wheel, at the point of operation, is moving away from your hand, the possible kickback may propel the spinning wheel and the power tool directly at you.**

#### Additional Safety Warnings:

1. **The tool is intended for use with bonded abrasive wheel points (grinding stones) permanently mounted on plain, unthreaded mandrel (shanks).**
2. **Make sure the wheel is not contacting the workpiece before the switch is turned on.**
3. **Before using the tool on an actual workpiece, let it run for a while. Watch for vibration or wobbling that could indicate poor installation or a poorly balanced wheel.**
4. **Use the specified surface of the wheel to perform the grinding.**
5. **Watch out for flying sparks. Hold the tool so that sparks fly away from you and other persons or flammable materials.**
6. **Do not leave the tool running. Operate the tool only when hand-held.**
7. **Do not touch the workpiece immediately after operation; it may be extremely hot and could burn your skin.**
8. **Observe the instructions of the manufacturer for correct mounting and use of wheels. Handle and store wheels with care.**
9. **Check that the workpiece is properly supported.**
10. **If working place is extremely hot and humid, or badly polluted by conductive dust, use a short-circuit breaker (30 mA) to assure operator safety.**
11. **Do not use the tool on any materials containing asbestos.**
12. **Always be sure you have a firm footing. Be sure no one is below when using the tool in high locations.**

## SAVE THESE INSTRUCTIONS.

**⚠WARNING:** DO NOT let comfort or familiarity with product (gained from repeated use) replace strict adherence to safety rules for the subject product. MISUSE or failure to follow the safety rules stated in this instruction manual may cause serious personal injury.

## FUNCTIONAL DESCRIPTION

**⚠CAUTION:** Always be sure that the tool is switched off and unplugged before adjusting or checking function on the tool.

### Switch action

**⚠CAUTION:** Before plugging in the tool, always check to see that the tool is switched off.

To start the tool, move the switch to the "I" (on) position. To stop, move the switch to the "O" (off) position.

► Fig.1: 1. Switch

## ASSEMBLY

**⚠CAUTION:** Always be sure that the tool is switched off and unplugged before carrying out any work on the tool.

### Installing or removing wheel point

#### Optional accessory

**⚠CAUTION:** Use the correct size collet cone for the wheel point which you intend to use.

**NOTICE:** Do not tighten the collet nut without inserting a wheel point. Otherwise it can lead to breakage of the collet cone.

Loosen the collet nut counterclockwise and insert the wheel point into the collet nut. Use one wrench to hold the spindle. With using another wrench, turn the collet nut clockwise to tighten securely.

► Fig.2: 1. Wrench 2. Collet nut 3. Spindle 4. Collet cone

**NOTE:** If you cannot insert the wheel point into the collet nut after loosening the collet nut, the collet cone may obstruct the wheel point. In that case, remove the collet nut and reposition the collet cone.

The wheel point should not be mounted more than 10 mm from the collet nut. Exceeding this distance could cause vibration or a broken shaft.

► Fig.3

## OPERATION

**⚠CAUTION:** Apply light pressure on the tool. Excessive pressure on the tool will only cause a poor finish and overloading of the motor.

**⚠CAUTION:** The wheel point continues to rotate after the tool is switched off.

► Fig.4

Turn the tool on without the wheel point making any contact with the workpiece and wait until the wheel point attains full speed. Then apply the wheel point to the workpiece gently. To obtain a good finish, move the tool in the leftward direction slowly.

## MAINTENANCE

**⚠ CAUTION:** Always be sure that the tool is switched off and unplugged before attempting to perform inspection or maintenance.

**NOTICE:** Never use gasoline, benzine, thinner, alcohol or the like. Discoloration, deformation or cracks may result.

## Dressing wheel point

### *Optional accessory*

When the wheel point becomes "loaded" with various bits and particles, you should dress the wheel point with the dressing stone.

► Fig.5

To maintain product SAFETY and RELIABILITY, repairs, any other maintenance or adjustment should be performed by Makita Authorized or Factory Service Centers, always using Makita replacement parts.

## OPTIONAL ACCESSORIES

**⚠ CAUTION:** These accessories or attachments are recommended for use with your Makita tool specified in this manual. The use of any other accessories or attachments might present a risk of injury to persons. Only use accessory or attachment for its stated purpose.

If you need any assistance for more details regarding these accessories, ask your local Makita Service Center.

- Wheel points
- Collet cone set (3 mm, 6 mm, 1/4", 1/8")
- Wrench 10
- Dressing stone

**NOTE:** Some items in the list may be included in the tool package as standard accessories. They may differ from country to country.

## SPÉCIFICATIONS

Modèle :		GD0603
Taille du mandrin (propre au pays)		6 mm ou 1/4"
Taille max. de la meule sur tige	Diamètre max. de la meule	19 mm
	Longueur max. du mandrin (tige)	38 mm
Vitesse nominale (n)/Vitesse à vide (n <sub>0</sub> )		28 000 min <sup>-1</sup>
Longueur totale		289 mm
Poids net		0,97 kg
Catégorie de sécurité		II/III

- Étant donné l'évolution constante de notre programme de recherche et de développement, les spécifications contenues dans ce manuel sont sujettes à modification sans préavis.
- Les spécifications peuvent varier suivant les pays.
- Poids selon la procédure EPTA 01/2003

### Utilisations

L'outil est conçu pour le meulage des matériaux ferreux et pour l'ébavurage des pièces moulées.

### Alimentation

L'outil ne devra être raccordé qu'à une alimentation de la même tension que celle qui figure sur la plaque signalétique, et il ne pourra fonctionner que sur un courant secteur monophasé. Réalisé avec une double isolation, il peut de ce fait être alimenté par une prise sans mise à la terre.

### Bruit

Niveau de bruit pondéré A typique, déterminé selon EN60745 :

Niveau de pression sonore (L<sub>PA</sub>) : 76 dB (A)

Incertitude (K) : 3 dB (A)

Le niveau de bruit en fonctionnement peut dépasser 80 dB (A).

**AVERTISSEMENT** : Portez un serre-tête antibruit.

### Vibrations

Valeur totale de vibrations (somme de vecteur triaxial) déterminée selon EN60745 :

Mode de travail : meulage de surface

Émission de vibrations (a<sub>n</sub>) : 2,5 m/s<sup>2</sup> ou moins

Incertitude (K) : 1,5 m/s<sup>2</sup>

**NOTE** : La valeur d'émission de vibrations déclarée a été mesurée conformément à la méthode de test standard et peut être utilisée pour comparer les outils entre eux.

**NOTE** : La valeur d'émission de vibrations déclarée peut aussi être utilisée pour l'évaluation préliminaire de l'exposition.

### Déclaration de conformité CE

#### Pour les pays européens uniquement

Makita déclare que la ou les machines suivantes :

Désignation de la machine : Meuleuse droite

N° de modèle/Type : GD0603

sont conformes aux Directives européennes suivantes : 2006/42/CE

et sont fabriquées conformément aux normes ou aux documents normalisés suivants : EN60745

La documentation technique conforme à la norme 2006/42/CE est disponible auprès de :

Makita, Jan-Baptist Vinkstraat 2, 3070, Belgique  
25.2.2015



Yasushi Fukaya

Directeur

Makita, Jan-Baptist Vinkstraat 2, 3070, Belgique

### Consignes de sécurité générales pour outils électriques

**AVERTISSEMENT** : Lisez toutes les consignes de sécurité et toutes les instructions. Il y a risque d'électrocution, d'incendie et/ou de graves blessures si les mises en garde et les instructions ne sont pas respectées.

### Conservez toutes les mises en garde et instructions pour référence ultérieure.

Le terme « outil électrique » dans les avertissements fait référence à l'outil électrique alimenté par le secteur (avec cordon d'alimentation) ou à l'outil électrique fonctionnant sur batterie (sans cordon d'alimentation).

## Consignes de sécurité pour meuleuse droite

### Consignes de sécurité courantes pour les opérations de meulage :

- 1. Cet outil électrique est conçu pour l'utilisation en tant que meuleuse. Veuillez consulter les consignes de sécurité, les instructions, les illustrations et les spécifications fournies avec cet outil électrique.** Le non-respect de toutes les instructions indiquées ci-dessous peut entraîner une électrocution, un incendie et/ou de graves blessures.
- 2. Il n'est pas recommandé d'effectuer des opérations telles que le ponçage, le brossage métallique, le polissage ou le tronçonnage à l'aide de cet outil électrique.** L'exécution d'opérations pour lesquelles l'outil électrique n'a pas été conçu est dangereuse et peut entraîner des blessures.
- 3. N'utilisez pas d'accessoires qui n'ont pas été conçus spécifiquement et recommandés par le fabricant de l'outil.** Même si un accessoire peut être fixé sur l'outil électrique, cela ne garantit pas qu'il fonctionnera de manière sûre.
- 4. La vitesse nominale de l'accessoire doit être au moins égale à la vitesse maximale indiquée sur l'outil électrique.** Les accessoires peuvent se casser et voler en éclats s'ils tournent plus vite que leur vitesse nominale.
- 5. Le diamètre externe et l'épaisseur de l'accessoire ne doivent pas dépasser la capacité nominale de l'outil électrique.** La maîtrise d'accessoires de format incorrect ne peut être garantie.
- 6. L'orifice des accessoires doit s'insérer parfaitement sur le mandrin de l'outil électrique.** Des accessoires inadaptés au matériel de montage de l'outil électrique présenteront un déséquilibre et des vibrations excessives, et risquent d'entraîner une perte de contrôle de l'outil.
- 7. Les accessoires montés sur mandrin doivent être complètement insérés dans le mandrin ou le porte-outil.** Si le mandrin n'est pas assez retenu et/ou le porte-à-faux de la meule est trop long, l'accessoire fixé peut se détacher et être éjecté à grande vitesse.
- 8. N'utilisez pas d'accessoire endommagé. Avant chaque utilisation, assurez-vous qu'il n'y a pas de copeaux, de fissures ou autres anomalies sur les accessoires tels que les meules abrasives. Si vous lâchez l'outil électrique ou un accessoire, vérifiez qu'il n'est pas endommagé ou posez un accessoire en bon état. Après avoir vérifié et posé un accessoire, assurez-vous que personne, y compris vous-même, ne se trouve dans la trajectoire de l'accessoire en rotation, et faites tourner l'outil électrique à vitesse maximale sans charge pendant une minute.** Si l'accessoire est endommagé, il devrait se rompre lors de ce test.
- 9. Portez un équipement de protection individuelle. Suivant le type de travail à effectuer, portez une visière, des lunettes à coques ou des lunettes de sécurité. Au besoin, portez un masque antipoussières, des protections d'oreilles, des gants et un tablier de travail capable de protéger contre les petits fragments abrasifs ou les fragments de pièce.** Les lunettes de sécurité doivent pouvoir arrêter les débris volants produits par les diverses opérations de la meule. Le masque antipoussières ou le masque filtrant doit pouvoir filtrer les particules générées lors de la tâche. Une exposition prolongée à un bruit d'intensité élevée peut entraîner une perte auditive.
- 10. Les personnes présentes doivent se trouver à une distance sûre de la zone de travail. Toute personne pénétrant dans la zone de travail doit porter un équipement de protection individuelle.** Des fragments de pièce ou un accessoire cassé peuvent être projetés et blesser quelqu'un dans la zone de travail.
- 11. Tenez l'outil électrique par une surface de prise isolée uniquement, lorsque vous effectuez une tâche où l'accessoire de découpe pourrait toucher un câblage caché ou son propre cordon d'alimentation.** Le contact de l'accessoire de coupe avec un fil sous tension peut transmettre du courant dans les pièces métalliques exposées de l'outil électrique et électrocuter l'utilisateur.
- 12. Tenez toujours fermement l'outil dans votre ou vos mains au démarrage.** Le couple de réaction du moteur à mesure qu'il atteint sa pleine vitesse peut faire se tordre l'outil.
- 13. Utilisez des attaches pour soutenir la pièce si possible. Ne tenez jamais une petite pièce d'une main et l'outil de l'autre main en cours d'utilisation.** En attachant une petite pièce, vous pouvez utiliser vos deux mains pour maîtriser l'outil. Les matériaux cylindriques comme les tiges de goupille, les tuyaux ou les tubes ont tendance à rouler pendant la découpe et peuvent provoquer le coincement de l'embout ou sa projection dans votre direction.
- 14. Placez le cordon d'alimentation à l'écart de l'accessoire en rotation.** En cas de perte de maîtrise, vous risquez, en coupant ou en accrochant le cordon, d'avoir la main ou le bras attiré vers l'accessoire en rotation.
- 15. Ne déposez jamais l'outil électrique avant que l'accessoire ne se soit parfaitement arrêté.** L'accessoire en rotation peut accrocher la surface et projeter l'outil électrique de telle sorte que vous en perdiez la maîtrise.
- 16. Après avoir changé les embouts ou procédé à des réglages, assurez-vous que l'écrou de mandrin, le porte-outil ou tout autre dispositif de réglage est solidement serré.** Des dispositifs de réglage mal serrés peuvent bouger brusquement, provoquant une perte de maîtrise et la projection violente des pièces rotatives détachées.
- 17. Ne laissez pas l'outil électrique tourner en le transportant le long de votre corps.** En cas de contact accidentel avec l'accessoire en rotation, ce dernier risque d'accrocher vos vêtements et d'être entraîné vers votre corps.
- 18. Nettoyez régulièrement les orifices de ventilation de l'outil électrique.** Le ventilateur du moteur aspire les poussières dans le carter ; une accumulation excessive de poussière métallique peut entraîner un risque de danger électrique.



19. **N'utilisez pas l'outil électrique près de matériaux inflammables.** Les étincelles risqueraient d'enflammer ces matériaux.
20. **N'utilisez pas d'accessoires qui requièrent un liquide de refroidissement.** L'utilisation d'eau ou de tout autre liquide de refroidissement peut entraîner l'électrocution ou un choc électrique.

#### Mises en garde concernant le choc en retour et autres dangers

Le choc en retour est une réaction soudaine qui survient lorsque l'accessoire en rotation se coince ou accroche. Lorsque l'accessoire en rotation se coince ou accroche, il s'arrête soudainement et l'utilisateur perd alors la maîtrise de l'outil électrique qui est projeté dans le sens contraire de sa rotation.

Par exemple, si une meule abrasive est tirée ou coincée par la pièce, le rebord de la meule entrant dans le point de pincement peut accrocher la surface du matériau, entraînant la sortie ou le déchaussement de la meule. La meule peut alors bondir vers l'utilisateur ou en sens opposé, suivant son sens de rotation là où elle s'est coincée. Il y a aussi risque de rupture de la meule abrasive dans ces conditions.

Le choc en retour est le résultat d'une utilisation abusive de l'outil électrique et/ou de l'inobservation des procédures d'utilisation. Il peut être évité en prenant les précautions nécessaires comme indiqué ci-dessous.

1. **Maintenez une poigne ferme sur l'outil électrique et placez votre corps et votre bras de manière à pouvoir résister à la force du choc en retour.** L'utilisateur peut maîtriser la force exercée par le choc en retour s'il prend les précautions nécessaires.
2. **Soyez tout particulièrement prudent lorsque vous travaillez dans les coins, sur des arêtes vives, etc. Évitez de laisser l'accessoire sautiller ou accrocher.** L'accessoire en rotation a tendance à accrocher dans les coins, sur les arêtes vives et lorsqu'il sautille, ce qui comporte un risque de perte de maîtrise ou de choc en retour.
3. **Ne fixez pas une lame de scie dentée.** De telles lames causent fréquemment des chocs en retour et la perte du contrôle.
4. **Faites toujours avancer l'embout dans le matériau dans le même sens que l'arête tranchante qui sort du matériau (qui est le même sens de projection des copeaux).** Faire avancer l'outil dans le mauvais sens fait que l'arête tranchante de l'embout remonte de la pièce et entraîne l'outil dans le sens de cet avancement.

#### Consignes de sécurité spécifiques au meulage :

1. Utilisez uniquement les meules recommandées pour votre outil électrique et uniquement pour les applications recommandées.
2. Ne placez pas votre main dans l'axe et derrière la meule rotative. Lorsque la meule, en cours de fonctionnement, s'écarte de votre main, le choc en retour potentiel risque de propulser la meule en rotation et l'outil électrique dans votre direction.

#### Consignes de sécurité supplémentaires :

1. L'outil est conçu pour être utilisé avec des meules sur tige abrasives à agglomérant (pierre de meulage) montées en permanence sur un mandrin non fileté lisse (tiges).

2. Assurez-vous que la meule n'entre pas en contact avec la pièce avant de mettre l'outil sous tension.
3. Avant d'utiliser l'outil sur la pièce à travailler, faites-le tourner un instant à vide. Surveillez les vibrations ou le sautellement, qui peuvent indiquer que la meule n'est pas bien installée ou qu'elle est mal équilibrée.
4. Utilisez la face spécifiée de la meule pour meuler.
5. Prenez garde aux étincelles qui jaillissent. Tenez l'outil de sorte que les étincelles ne jaillissent pas vers vous, vers une autre personne présente ou vers un matériau inflammable.
6. N'abandonnez pas l'outil alors qu'il tourne. Ne faites fonctionner l'outil qu'une fois que vous l'avez bien en main.
7. Ne touchez jamais la pièce juste après l'exécution du travail ; elle peut être extrêmement chaude et risque de vous brûler.
8. Pour installer et utiliser correctement les meules, veuillez suivre les instructions du fabricant. Manipulez les meules avec soin et rangez-les en lieu sûr.
9. Assurez-vous que la pièce à travailler est correctement soutenue.
10. Si le site de travail est extrêmement chaud et humide ou s'il y a beaucoup de poussières conductrices dans l'air, utilisez un coupe-circuit (30 mA) pour assurer votre sécurité.
11. N'utilisez l'outil sur aucun matériau contenant de l'amiante.
12. Assurez-vous toujours d'avoir une bonne assise. Assurez-vous que personne ne se trouve dessous lorsque vous utilisez l'outil en position élevée.

## CONSERVEZ CES INSTRUCTIONS.

**⚠️ AVERTISSEMENT :** NE vous laissez PAS tromper (au fil d'une utilisation répétée) par un sentiment d'aisance et de familiarité avec le produit, en négligeant le respect rigoureux des consignes de sécurité qui accompagnent le produit en question. La MAUVAISE UTILISATION de l'outil ou l'ignorance des consignes de sécurité indiquées dans ce mode d'emploi peut entraîner de graves blessures.

## DESCRIPTION DU FONCTIONNEMENT

**⚠️ ATTENTION :** Assurez-vous toujours que l'outil est hors tension et débranché avant de l'ajuster ou de vérifier son fonctionnement.

## Interrupteur

**⚠ ATTENTION** : Avant de brancher l'outil, assurez-vous toujours que son interrupteur est en position d'arrêt.

Pour démarrer l'outil, placez l'interrupteur sur la position « I » (marche). Pour l'arrêter, déplacez-le sur la position « O » (arrêt).

► Fig.1: 1. Interrupteur

## ASSEMBLAGE

**⚠ ATTENTION** : Avant d'effectuer toute intervention sur l'outil, assurez-vous toujours qu'il est hors tension et débranché.

### Pose et dépose de la meule sur tige

*Accessoire en option*

**⚠ ATTENTION** : Utilisez un cône de mandrin dont la taille correspond à celle de la meule sur tige que vous prévoyez d'utiliser.

**REMARQUE** : Ne serrez pas l'écrou de mandrin sans insérer une meule sur tige. Le cône de mandrin risquerait de se rompre.

Desserrez l'écrou du mandrin dans le sens inverse des aiguilles d'une montre et insérez la meule sur tige à l'intérieur. Utilisez une clé pour tenir l'axe. En utilisant une autre clé, tournez l'écrou de mandrin dans le sens des aiguilles d'une montre pour serrer solidement.

► Fig.2: 1. Clé 2. Écrou de mandrin 3. Axe 4. Cône de mandrin

**NOTE** : Si vous ne parvenez pas à insérer la meule sur tige dans l'écrou de mandrin après l'avoir desserré, il se peut que le cône de mandrin bloque la meule sur tige. Dans ce cas, retirez l'écrou de mandrin et repositionnez le cône de mandrin.

La meule sur tige ne doit pas être montée à plus de 10 mm de l'écrou de mandrin. Si vous dépassez cette distance, vous risquez de provoquer des vibrations ou de rompre l'arbre.

► Fig.3

## UTILISATION

**⚠ ATTENTION** : N'exercez qu'une pression légère sur l'outil. Si vous appuyez trop, vous aurez une finition défectueuse et une surcharge du moteur.

**⚠ ATTENTION** : La meule sur tige continue à tourner quand l'outil est éteint.

► Fig.4

Mettez l'outil sous tension sans que la meule sur tige touche la pièce à travailler et attendez qu'elle ait atteint sa pleine vitesse. Appliquez alors doucement la meule sur tige sur la pièce. Pour obtenir une finition parfaite, déplacez votre outil lentement vers la gauche.

## ENTRETIEN

**⚠ ATTENTION** : Assurez-vous toujours que l'outil est hors tension et débranché avant d'y effectuer tout travail d'inspection ou d'entretien.

**REMARQUE** : N'utilisez jamais d'essence, benzine, diluant, alcool ou autre produit similaire. Cela risquerait de provoquer la décoloration, la déformation ou la fissuration de l'outil.

### Affûtage de la meule sur tige

*Accessoire en option*

Lorsque la meule sur tige se trouve encrassée de diverses particules et poussières, il faut l'affûter à l'aide de la pierre d'affûtage.

► Fig.5

Pour assurer la SÉCURITÉ et la FIABILITÉ du produit, toute réparation, tout travail d'entretien ou de réglage doivent être effectués par un centre d'entretien Makita agréé, avec des pièces de rechange Makita.

## ACCESSOIRES EN OPTION

**⚠ ATTENTION** : Ces accessoires ou pièces complémentaires sont recommandés pour l'utilisation avec l'outil Makita spécifié dans ce mode d'emploi. L'utilisation de tout autre accessoire ou pièce complémentaire peut comporter un risque de blessure. N'utilisez les accessoires ou pièces complémentaires qu'aux fins auxquelles ils ont été conçus.

Pour obtenir plus de détails sur ces accessoires, contactez votre centre d'entretien local Makita.

- Meules sur tige
- Jeu de cônes de mandrin (3 mm, 6 mm, 1/4", 1/8")
- Clé 10
- Pierre d'affûtage

**NOTE** : Il se peut que certains éléments de la liste soient compris dans l'emballage de l'outil en tant qu'accessoires standard. Ils peuvent varier d'un pays à l'autre.

## TECHNISCHE DATEN

<b>Modell:</b>		<b>GD0603</b>
Spannzangengröße (länderspezifisch)		6 mm oder 1/4"
Max. Schleifspitzengröße	Max. Schleifraddurchmesser	19 mm
	Max. Spindel-(Schaft)-länge	38 mm
Nenn Drehzahl (n)/Leerlaufdrehzahl (n <sub>0</sub> )		28.000 min <sup>-1</sup>
Gesamtlänge		289 mm
Nettogewicht		0,97 kg
Sicherheitsklasse		□/II

- Wir behalten uns vor, Änderungen der technischen Daten im Zuge der Entwicklung und des technischen Fortschritts ohne vorherige Ankündigung vorzunehmen.
- Die technischen Daten können von Land zu Land unterschiedlich sein.
- Gewicht nach EPTA-Verfahren 01/2003

### Vorgesehene Verwendung

Das Werkzeug ist für das Schleifen von Eisenmaterial oder das Entgraten von Gussmaterial vorgesehen.

### Stromversorgung

Das Werkzeug sollte nur an eine Stromquelle angeschlossen werden, deren Spannung mit der Angabe auf dem Typenschild übereinstimmt, und kann nur mit Einphasen-Wechselstrom betrieben werden. Diese sind doppelt schutzisoliert und können daher auch an Steckdosen ohne Erdleiter verwendet werden.

### Geräusch

Typischer A-bewerteter Geräuschpegel ermittelt gemäß EN60745:

Schalldruckpegel (L<sub>pA</sub>): 76 dB (A)

Messunsicherheit (K): 3 dB (A)

Der Geräuschpegel kann während des Betriebs 80 dB (A) überschreiten.

**⚠️ WARNUNG:** Einen Gehörschutz tragen.

### Schwingungen

Schwingungsgesamtwert (Drei-Achsen-Vektorsumme) ermittelt gemäß EN60745:

Arbeitsmodus: Oberflächenschleifen

Schwingungsemission (a<sub>n</sub>): 2,5 m/s<sup>2</sup> oder weniger

Messunsicherheit (K): 1,5 m/s<sup>2</sup>

**HINWEIS:** Der angegebene Schwingungsemissionswert wurde im Einklang mit der Standardprüfmethode gemessen und kann für den Vergleich zwischen Werkzeugen herangezogen werden.

**HINWEIS:** Der angegebene Schwingungsemissionswert kann auch für eine Vorbewertung des Gefährdungsgrads verwendet werden.

### EG-Konformitätserklärung

#### Nur für europäische Länder

Makita erklärt, dass die folgende(n) Maschine(n):

Bezeichnung der Maschine: Geradschleifer

Modell-Nr./Typ: GD0603

Entspricht den folgenden europäischen Richtlinien: 2006/42/EG

Sie werden gemäß den folgenden Standards oder standardisierten Dokumenten hergestellt: EN60745

Die technische Akte in Übereinstimmung mit 2006/42/EG ist erhältlich von:

Makita, Jan-Baptist Vinkstraat 2, 3070, Belgien  
25.2.2015



Yasushi Fukaya

Direktor

Makita, Jan-Baptist Vinkstraat 2, 3070, Belgien

### Allgemeine Sicherheitswarnungen für Elektrowerkzeuge

**⚠️ WARNUNG:** Lesen Sie alle Sicherheitswarnungen und Anweisungen durch. Eine Missachtung der unten aufgeführten Warnungen und Anweisungen kann zu einem elektrischen Schlag, Brand und/oder schweren Verletzungen führen.

### Bewahren Sie alle Warnungen und Anweisungen für spätere Bezugnahme auf.

Der Ausdruck „Elektrowerkzeug“ in den Warnhinweisen bezieht sich auf Ihr mit Netzstrom (mit Kabel) oder Akku (ohne Kabel) betriebenes Elektrowerkzeug.

## Sicherheitswarnungen für Geradschleifer

### Allgemeine Sicherheitswarnungen für Schleifbetrieb:

- Dieses Elektrowerkzeug ist für den Einsatz als Schleifer vorgesehen. Lesen Sie alle mit diesem Elektrowerkzeug gelieferten Sicherheitswarnungen, Anweisungen, Abbildungen und technischen Daten durch.** Eine Missachtung der unten aufgeführten Anweisungen kann zu einem elektrischen Schlag, Brand und/oder schweren Verletzungen führen.
- Arbeiten, wie Schleifen, Drahtbürsten, Polieren oder Abschneiden mit diesem Elektrowerkzeug, sind nicht zu empfehlen.** Benutzungswaysen, für die das Elektrowerkzeug nicht ausgelegt ist, können Gefahren erzeugen und Verletzungen verursachen.
- Verwenden Sie kein Zubehör, das nicht speziell vom Werkzeughersteller vorgesehen ist und empfohlen wird.** Die bloße Tatsache, dass ein Zubehörteil an Ihrem Elektrowerkzeug angebracht werden kann, gewährleistet noch keinen sicheren Betrieb.
- Die Nenn Drehzahl des Zubehörteils muss mindestens der am Elektrowerkzeug angegebenen Maximaldrehzahl entsprechen.** Zubehörteile, die schneller als ihre Nenn Drehzahl rotieren, können bersten und auseinander fliegen.
- Außendurchmesser und Dicke des Zubehörteils müssen innerhalb der Kapazitätsgrenzen Ihres Elektrowerkzeugs liegen.** Zubehörteile der falschen Größe können nicht angemessen kontrolliert werden.
- Die Spindel von Zubehörteilen muss genau in die Spannzange des Elektrowerkzeugs passen.** Zubehörteile, die nicht genau an den Montageflansch des Elektrowerkzeugs angepasst sind, laufen unruhig, vibrieren übermäßig und können einen Verlust der Kontrolle verursachen.
- Spindelmontierte Zubehörteile müssen vollständig in die Spannzange oder das Spannfutter eingeführt werden.** Falls die Spindel nicht sicher genug gehalten wird und/oder der Überhang des Schleifrads zu lang ist, kann sich das montierte Zubehörteil lockern und mit hoher Geschwindigkeit weggeschleudert werden.
- Verwenden Sie keine beschädigten Zubehörteile. Untersuchen Sie das Zubehörteil, wie z. B. eine Schleifscheibe, vor jedem Gebrauch auf Absplitterungen und Risse. Falls das Elektrowerkzeug oder das Zubehörteil herunterfällt, überprüfen Sie es auf Beschädigung, oder montieren Sie ein unbeschädigtes Zubehörteil. Achten Sie nach der Überprüfung und Installation eines Zubehörteils darauf, dass Sie selbst und Umstehende nicht in der Rotationsebene des Zubehörteils stehen, und lassen Sie das Elektrowerkzeug eine Minute lang mit maximaler Leerlaufdrehzahl laufen.** Ein beschädigtes Zubehörteil bricht normalerweise während dieses Probeaufbaus auseinander.
- Tragen Sie persönliche Schutzausrüstung. Benutzen Sie je nach der Arbeit einen Gesichtsschutz bzw. eine Sicherheits- oder Schutzbrille. Tragen Sie bei Bedarf eine Staubmaske, Ohrenschützer, Handschuhe und eine Arbeitsschürze, die in der Lage ist, kleine Schleifpartikel oder Werkstücksplitter abzuwehren.** Der Augenschutz muss in der Lage sein, den bei verschiedenen Arbeiten anfallenden Flugstaub abzuwehren. Die Staubmaske oder Atemschutzmaske muss in der Lage sein, durch die Arbeit erzeugte Partikel herauszufiltern. Lang anhaltende Lärmbelastung kann zu Gehörschäden führen.
- Halten Sie Umstehende in sicherem Abstand vom Arbeitsbereich. Jeder, der den Arbeitsbereich betritt, muss persönliche Schutzausrüstung tragen.** Bruchstücke des Werkstücks oder eines beschädigten Zubehörteils können weggeschleudert werden und Verletzungen über den unmittelbaren Arbeitsbereich hinaus verursachen.
- Halten Sie das Elektrowerkzeug nur an den isolierten Griffflächen, wenn Sie Arbeiten ausführen, bei denen die Gefahr besteht, dass das Schneidzubehör verborgene Kabel oder das eigene Kabel kontaktiert werden.** Bei Kontakt mit einem Strom führenden Kabel können die freiliegenden Metallteile des Elektrowerkzeugs ebenfalls Strom führend werden, so dass der Benutzer einen elektrischen Schlag erleiden kann.
- Halten Sie das Werkzeug während des Anlaufs immer mit beiden Händen fest.** Während der Motor auf volle Drehzahl beschleunigt, kann das Reaktionsdrehmoment eine Verdrehung des Werkzeugs verursachen.
- Stützen Sie das Werkstück mit Klemmen ab, wenn dies durchführbar ist. Halten Sie während des Betriebs niemals ein kleines Werkstück in der einen, und das Werkzeug in der anderen Hand.** Spannen Sie kleine Werkstücke ein, damit Sie das Werkzeug mit beiden Händen unter Kontrolle halten können. Rundmaterial, wie z. B. Dübelstangen, Leitungen oder Rohre, neigt beim Schneiden zum Rollen, was dazu führen kann, dass der Einsatz klemmt oder auf den Bediener zu springt.
- Halten Sie das Kabel vom rotierenden Zubehörteil fern.** Falls Sie die Kontrolle verlieren, kann das Kabel durchgetrennt oder erfasst werden, so dass Ihre Hand oder Ihr Arm in das rotierende Zubehörteil hineingezogen wird.
- Legen Sie das Elektrowerkzeug erst ab, nachdem das Zubehörteil zum vollständigen Stillstand gekommen ist.** Anderenfalls kann das rotierende Zubehörteil die Oberfläche erfassen und das Elektrowerkzeug aus Ihren Händen reißen.
- Nachdem Sie den Einsatz gewechselt oder Einstellungen vorgenommen haben, sollten Sie sich vergewissern, dass die Spannzangenmutter, das Spannfutter oder andere Einstellvorrichtungen einwandfrei festgezogen sind.** Lockere Einstellvorrichtungen können unerwartet verrutschen, was zum Verlust der Kontrolle führen kann, und lockere rotierende Komponenten können heftig weggeschleudert werden.

17. **Lassen Sie das Elektrowerkzeug nicht laufen, während Sie es an Ihrer Seite tragen.** Das rotierende Zubehörteil könnte sonst bei versehentlichem Kontakt Ihre Kleidung erfassen und auf Ihren Körper zu gezogen werden.
18. **Reinigen Sie die Ventilationsöffnungen des Elektrowerkzeugs regelmäßig.** Der Lüfter des Motors saugt Staub in das Gehäuse an, und starke Ablagerungen von Metallstaub können elektrische Gefahren verursachen.
19. **Betreiben Sie das Elektrowerkzeug nicht in der Nähe von brennbaren Materialien.** Funken könnten diese Materialien entzünden.
20. **Verwenden Sie keine Zubehörteile, die Kühlfüssigkeiten erfordern.** Die Verwendung von Wasser oder anderen Kühlfüssigkeiten kann zu einem Stromschlag führen.

#### **Warnungen vor Rückschlag und damit zusammenhängenden Gefahren**

Rückstoß ist eine plötzliche Reaktion auf ein eingeklemmtes oder stockendes Zubehör. Klemmen oder Hängenbleiben verursacht ruckartiges Stocken des rotierenden Zubehörteils, was wiederum dazu führt, dass das außer Kontrolle geratene Elektrowerkzeug am Stockpunkt in die entgegengesetzte Drehrichtung des Zubehörs geschleudert wird.

Wenn beispielsweise eine Schleifscheibe vom Werkstück erfasst oder eingeklemmt wird, kann sich die in den Klemmpunkt eindringende Schleifscheibenkante in die Materialoberfläche bohren, so dass sie herauspringt oder zurückschlägt. Je nach der Drehrichtung der Schleifscheibe am Klemmpunkt kann die Schleifscheibe auf die Bedienungsperson zu oder von ihr weg springen. Schleifscheiben können unter solchen Bedingungen auch brechen.

Rückschlag ist das Resultat falscher Handhabung des Elektrowerkzeugs und/oder falscher Arbeitsverfahren oder -bedingungen und kann durch Anwendung der nachstehenden Vorsichtsmaßnahmen vermieden werden.

1. **Halten Sie das Elektrowerkzeug mit festem Griff, und positionieren Sie Ihren Körper und Arm so, dass Sie die Rückschlagkräfte auffangen können.** Rückstoßkräfte können kontrolliert werden, wenn entsprechende Vorkehrungen getroffen werden.
2. **Lassen Sie beim Bearbeiten von Ecken und scharfen Kanten usw. besondere Vorsicht walten.** Ecken, scharfe Kanten oder Anstoßen führen leicht zu Hängenbleiben des rotierenden Zubehörteils und verursachen Verlust der Kontrolle oder Rückschlag.
3. **Montieren Sie keine gezahnten Sägeblätter.** Solche Zubehörteile verursachen häufige Rückschläge und Verlust der Kontrolle.
4. **Schieben Sie den Einsatz immer in derselben Richtung in das Material vor, da die Schneidkante aus dem Material austritt (in Flugrichtung der Späne).** Wird das Werkzeug in der falschen Richtung vorgeschoben, klettert die Schneidkante des Einsatzes aus dem Werkstück heraus und zieht das Werkzeug in die Richtung dieses Vorschubs.

#### **Spezielle Sicherheitswarnungen für Schleifarbeiten:**

1. **Verwenden Sie nur Schleifradtypen, die für Ihr Elektrowerkzeug empfohlen werden, und nur für die empfohlenen Anwendungen.**

2. **Halten Sie Ihre Hand nicht so, dass sie sich in einer Linie mit der rotierenden Schleifscheibe oder hinter dieser befindet.** Wenn sich die Schleifscheibe am Arbeitspunkt von Ihrer Hand weg bewegt, kann ein möglicher Rückschlag die rotierende Schleifscheibe und das Elektrowerkzeug direkt auf Sie zu schleudern.

#### **Zusätzliche Sicherheitswarnungen:**

1. **Das Werkzeug ist für den Gebrauch mit gebundenen Schleifspitzen (Schleifsteinen) vorgesehen, die dauerhaft auf einer glatten Spindel (Schaft) ohne Gewinde montiert sind.**
2. **Vergewissern Sie sich vor dem Einschalten des Werkzeugs, dass die Schleifscheibe nicht das Werkstück berührt.**
3. **Lassen Sie das Werkzeug vor der eigentlichen Bearbeitung eines Werkstücks eine Weile laufen. Achten Sie auf Vibrationen oder Taumelbewegungen, die Anzeichen für schlechte Montage oder eine schlecht ausgewuchtete Schleifscheibe sein können.**
4. **Verwenden Sie nur die vorgeschriebene Fläche der Schleifscheibe für Schleifarbeiten.**
5. **Nehmen Sie sich vor Funkenflug in Acht. Halten Sie das Werkzeug so, dass Sie und andere Personen oder leicht entzündliche Materialien nicht von den Funken getroffen werden.**
6. **Lassen Sie das Werkzeug nicht unbeaufsichtigt laufen. Benutzen Sie das Werkzeug nur mit Handhaltung.**
7. **Vermeiden Sie eine Berührung des Werkstücks unmittelbar nach der Bearbeitung, weil es dann noch sehr heiß ist und Hautverbrennungen verursachen kann.**
8. **Befolgen Sie die Anweisungen des Herstellers für korrekte Montage und Verwendung von Schleifscheiben. Behandeln und lagern Sie Schleifscheiben mit Sorgfalt.**
9. **Vergewissern Sie sich, dass das Werkstück sicher abgestützt ist.**
10. **Falls der Arbeitsplatz sehr heiß, feucht oder durch leitfähigen Staub stark verschmutzt ist, verwenden Sie einen Kurzschlusschalter (30 mA) zum Schutz des Bedieners.**
11. **Verwenden Sie dieses Werkzeug nicht zur Bearbeitung von asbesthaltigen Materialien.**
12. **Achten Sie stets auf sicheren Stand. Vergewissern Sie sich bei Einsatz des Werkzeugs an hochgelegenen Arbeitsplätzen, dass sich keine Personen darunter aufhalten.**

## **DIESE ANWEISUNGEN AUFBEWAHREN.**

**⚠️ WARNUNG:** Lassen Sie sich NICHT durch Bequemlichkeit oder Vertrautheit mit dem Produkt (durch wiederholten Gebrauch erworben) von der strikten Einhaltung der Sicherheitsregeln für das vorliegende Produkt abhalten. MISSBRAUCH oder Missachtung der Sicherheitsvorschriften in dieser Anleitung können schwere Personenschäden verursachen.

## FUNKTIONSBESCHREIBUNG

**⚠ VORSICHT:** Vergewissern Sie sich vor jeder Einstellung oder Funktionsprüfung des Werkzeugs stets, dass es ausgeschaltet und vom Stromnetz getrennt ist.

### Schalterfunktion

**⚠ VORSICHT:** Vergewissern Sie sich vor dem Anschließen des Werkzeugs an das Stromnetz stets, dass das Werkzeug ausgeschaltet ist.

Zum Einschalten des Werkzeugs den Schalter auf die Position „I“ (EIN) schieben. Zum Ausschalten des Werkzeugs den Schalter auf die Position „O“ (AUS) schieben.

► **Abb.1:** 1. Schalter

## MONTAGE

**⚠ VORSICHT:** Vergewissern Sie sich vor der Ausführung von Arbeiten am Werkzeug stets, dass es ausgeschaltet und vom Stromnetz getrennt ist.

### Montieren und Demontieren der Schleifspitze

#### Sonderzubehör

**⚠ VORSICHT:** Verwenden Sie einen Spannzangenkonus der korrekten Größe für die zu benutzende Schleifspitze.

**ANMERKUNG:** Ziehen Sie die Spannzangenmutter nicht ohne eingefügte Schleifspitze an. Anderenfalls kann es zu einer Beschädigung des Spannzangenkonus kommen.

Lösen Sie die Spannzangenmutter entgegen dem Uhrzeigersinn, und führen Sie die Schleifspitze in die Spannzangenmutter ein. Verwenden Sie einen Schraubenschlüssel zum Festhalten der Spindel. Drehen Sie mit einem anderen Schraubenschlüssel die Spannzangenmutter im Uhrzeigersinn einwandfrei fest.

- **Abb.2:** 1. Schraubenschlüssel  
2. Spannzangenmutter 3. Spindel  
4. Spannzangenkonus

**HINWEIS:** Lässt sich die Schleifspitze nach dem Lösen der Spannzangenmutter nicht in die Spannzangenmutter einführen, behindert der Spannzangenkonus möglicherweise die Schleifspitze. Entfernen Sie in diesem Fall die Spannzangenmutter, und stellen Sie die Position des Spannzangenkonus neu ein.

Die Schleifspitze sollte nicht mehr als 10 mm von der Spannzangenmutter entfernt montiert werden. Wird dieser Abstand überschritten, kann es zu Vibrationen oder einem Schaffbruch der Schleifspitze kommen.

► **Abb.3**

## BETRIEB

**⚠ VORSICHT:** Üben Sie nur leichten Anpressdruck auf das Werkzeug aus. Übermäßige Druckausübung auf das Werkzeug führt nur zu schlechter Ausführung und Überlastung des Motors.

**⚠ VORSICHT:** Die Schleifspitze dreht sich nach dem Ausschalten des Werkzeugs noch weiter.

► **Abb.4**

Achten Sie beim Einschalten des Werkzeugs darauf, dass die Schleifspitze keinen Kontakt mit dem Werkstück hat, und warten Sie, bis die Schleifspitze ihre volle Drehzahl erreicht. Setzen Sie dann die Schleifspitze sachte an das Werkstück an. Um eine gute Ausführung zu erhalten, bewegen Sie das Werkzeug langsam nach links.

## WARTUNG

**⚠ VORSICHT:** Vergewissern Sie sich vor der Durchführung von Überprüfungen oder Wartungsarbeiten des Werkzeugs stets, dass es ausgeschaltet und vom Stromnetz getrennt ist.

**ANMERKUNG:** Verwenden Sie auf keinen Fall Benzin, Waschbenzin, Verdünnern, Alkohol oder dergleichen. Solche Mittel können Verfärbung, Verformung oder Rissbildung verursachen.

### Abrichten der Schleifspitze

#### Sonderzubehör

Wenn die Schleifspitze mit zahlreichen Teilchen und Partikeln zugesetzt wird, sollte sie mit einem Abziehstein abgerichtet werden.

► **Abb.5**

Um die SICHERHEIT und ZUVERLÄSSIGKEIT dieses Produkts zu gewährleisten, sollten Reparaturen und andere Wartungs- oder Einstellarbeiten nur von Makita-Vertragswerkstätten oder Makita-Kundendienstzentren unter ausschließlicher Verwendung von Makita-Originalersatzteilen ausgeführt werden.

## SONDERZUBEHÖR

**⚠ VORSICHT:** Die folgenden Zubehörteile oder Vorrichtungen werden für den Einsatz mit dem in dieser Anleitung beschriebenen Makita-Werkzeug empfohlen. Die Verwendung anderer Zubehörteile oder Vorrichtungen kann eine Verletzungsgefahr darstellen. Verwenden Sie Zubehörteile oder Vorrichtungen nur für ihren vorgesehenen Zweck.

Wenn Sie weitere Einzelheiten bezüglich dieser Zubehörteile benötigen, wenden Sie sich bitte an Ihre Makita-Kundendienststelle.

- Schleifspitzen

- Spannzangenkonussatz (3 mm, 6 mm, 1/4", 1/8")
- Schraubenschlüssel 10
- Abziehstein

**HINWEIS:** Manche Teile in der Liste können als Standardzubehör im Werkzeugsatz enthalten sein. Sie können von Land zu Land unterschiedlich sein.



## DATI TECNICI

<b>Modello:</b>		<b>GD0603</b>
Dimensioni bussola di chiusura (specifiche in base alla nazione)		6 mm o 1/4"
Dimensioni max punta a disco	Diametro max disco	19 mm
	Lunghezza max mandrino (codolo)	38 mm
Velocità nominale (n)/Velocità a vuoto (n <sub>0</sub> )		28.000 min <sup>-1</sup>
Lunghezza totale		289 mm
Peso netto		0,97 kg
Classe di sicurezza		□/II

- In conseguenza del nostro programma di ricerca e sviluppo continui, i dati tecnici nel presente manuale sono soggetti a modifiche senza preavviso.
- I dati tecnici possono variare da nazione a nazione.
- Peso in conformità alla procedura EPTA 01/2003

### Utilizzo previsto

Questo utensile è stato progettato per la smerigliatura dei materiali ferrosi o la sbavatura dei pezzi fusi.

### Alimentazione

L'utensile deve essere collegato a una fonte di alimentazione con la stessa tensione indicata sulla targhetta del nome, e può funzionare solo a corrente alternata monofase. L'utensile è dotato di doppio isolamento, per cui può essere utilizzato con prese elettriche sprovviste di messa a terra.

### Rumore

Livello tipico di rumore pesato A determinato in base allo standard EN60745:

Livello di pressione sonora (L<sub>PA</sub>): 76 dB (A)

Incertezza (K): 3 dB (A)

Il livello del rumore nelle condizioni di lavoro può superare gli 80 dB (A).

**⚠ AVVERTIMENTO:** Indossare protezioni per le orecchie.

### Vibrazioni

Valore totale delle vibrazioni (somma vettoriale triassiale) determinato in base allo standard EN60745:

Modalità di lavoro: smerigliatura della superficie

Emissione di vibrazioni (a<sub>h</sub>): 2,5 m/s<sup>2</sup> o inferiore

Incertezza (K): 1,5 m/s<sup>2</sup>

**NOTA:** Il valore di emissione delle vibrazioni dichiarato è stato misurato in conformità al metodo standard di verifica, e può essere utilizzato per confrontare un utensile con un altro.

**NOTA:** Il valore di emissione delle vibrazioni dichiarato può venire utilizzato anche per una valutazione preliminare dell'esposizione.

### Dichiarazione CE di conformità

#### Modello solo per le nazioni europee

Makita dichiara che la/le macchina/e seguente/i:

Designazione della macchina: Smerigliatrice dritta

N. modello/Tipo: GD0603

È conforme alle seguenti Direttive Europee:

2006/42/CE

È stata fabbricata in conformità allo standard e ai documenti standardizzati seguenti: EN60745

Il file tecnico in conformità alla normativa 2006/42/CE è disponibile presso:

Makita, Jan-Baptist Vinkstraat 2, 3070, Belgio

25.2.2015



Yasushi Fukaya

Amministratore

Makita, Jan-Baptist Vinkstraat 2, 3070, Belgio

### Avvertenze generali relative alla sicurezza dell'utensile elettrico

**⚠ AVVERTIMENTO:** Leggere tutte le avvertenze relative alla sicurezza e tutte le istruzioni. La mancata osservanza delle avvertenze e delle istruzioni può risultare in scosse elettriche, incendi e/o gravi lesioni personali.

### Conservare tutte le avvertenze e le istruzioni come riferimento futuro.

Il termine "utensile elettrico" nelle avvertenze si riferisce sia all'utensile elettrico (cablato) nel funzionamento alimentato da rete elettrica che all'utensile elettrico (a batteria) nel funzionamento alimentato a batteria.



## Avvertenze di sicurezza per la smerigliatrice diritta

### Avvertenze di sicurezza comuni relative all'operazione di smerigliatura:

- Questo utensile elettrico è destinato all'uso come smerigliatrice. Leggere tutte le avvertenze di sicurezza, le istruzioni, le illustrazioni e i dati tecnici forniti con il presente utensile elettrico.** La mancata osservanza di tutte le istruzioni elencate di seguito potrebbe risultare in scosse elettriche, incendi e/o gravi lesioni personali.
  - Con questo utensile elettrico si sconsigliano operazioni quali sabbiatura, spazzolatura metallica, lucidatura o tronatura.** Le operazioni per le quali l'utensile elettrico non è stato progettato potrebbero costituire un pericolo e causare lesioni personali.
  - Non utilizzare accessori che non siano stati specificatamente progettati e consigliati dal produttore dell'utensile.** Anche se un accessorio può essere montato sull'utensile elettrico, ciò non garantisce un funzionamento sicuro.
  - La velocità nominale dell'accessorio deve essere almeno equivalente alla velocità massima indicata sull'utensile elettrico.** Gli accessori che girano più velocemente della loro velocità nominale possono spaccarsi e i frammenti possono venire scagliati via.
  - Il diametro esterno e lo spessore dell'accessorio utilizzato devono rientrare nella capacità nominale dell'utensile elettrico utilizzato.** Non è possibile controllare in modo adeguato gli accessori di dimensioni errate.
  - Le dimensioni degli alberi degli accessori devono adattarsi correttamente alla bussola di chiusura dell'utensile elettrico.** Gli accessori inadatti agli attacchi di montaggio dell'utensile elettrico funzionano in modo sbilanciato, vibrano eccessivamente e potrebbero causare la perdita di controllo.
  - Gli accessori montati sul mandrino devono essere inseriti completamente nella bussola di chiusura o nel portapunta.** Qualora il mandrino non sia stretto saldamente e/o la parte sporgente del disco sia eccessivamente lunga, l'accessorio montato potrebbe allentarsi e potrebbe venire espulso ad alta velocità.
  - Non utilizzare accessori danneggiati.** Prima di ogni utilizzo, verificare che gli accessori, ad esempio i dischi abrasivi, non presentino scheggiature o spaccature. Qualora l'utensile elettrico o l'accessorio venga fatto cadere, verificare che non siano presenti danni o installare un accessorio non danneggiato. Dopo aver ispezionato e installato un accessorio, posizionare se stessi e gli astanti lontano dal piano di rotazione dell'accessorio, quindi far funzionare l'utensile elettrico alla massima velocità a vuoto per un minuto. Gli accessori danneggiati in genere si rompono, durante questo periodo di prova.
  - Indossare un'attrezzatura di protezione personale. A seconda dell'applicazione, utilizzare una visiera, occhiali o occhiali di sicurezza. A seconda delle esigenze, indossare una mascherina antipolvere, protezioni per l'udito,**
- guanti e un grembiule da officina in grado di arrestare piccoli frammenti abrasivi o del pezzo.** La protezione degli occhi deve essere in grado di arrestare detriti volanti causati da svariate operazioni. La mascherina antipolvere o il respiratore devono essere in grado di filtrare le particelle generate dall'operazione in corso. L'esposizione prolungata al rumore ad alta intensità potrebbe causare la perdita dell'udito.
  - Tenere gli astanti a distanza di sicurezza dall'area di lavoro. Chiunque entri nell'area di lavoro deve indossare l'attrezzatura di protezione personale.** I frammenti del pezzo o di un accessorio rotto potrebbero venire scagliati via e causare lesioni personali a una distanza superiore alle immediate vicinanze dell'operazione in corso.
  - Mantenere l'utensile elettrico solo per le superfici di impugnatura isolate quando si esegue una operazione in cui l'accessorio di taglio potrebbe entrare in contatto con fili elettrici nascosti o con il suo stesso cavo di alimentazione.** Un accessorio di taglio che entri in contatto con un filo elettrico sotto tensione potrebbe mettere sotto tensione le parti metalliche esposte dell'utensile elettrico e dare una scossa elettrica all'operatore.
  - Tenere sempre saldamente in mano l'utensile durante il suo avvio.** La coppia di reazione del motore, quando accelera fino alla velocità massima, può causare una torsione dell'utensile.
  - Utilizzare delle morse per sostenere il pezzo, quando possibile. Non tenere mai un pezzo piccolo con una mano e l'utensile con l'altra mano durante l'uso.** Se si fissa con una morsa un pezzo piccolo, è possibile utilizzare le mani per controllare l'utensile. I materiali rotondi, quali i perni cilindrici, i tubi o le tubature, tendono a girare su se stessi quando vengono tagliati, e potrebbero far bloccare la punta o farla saltare verso l'operatore.
  - Posizionare il cavo di alimentazione a distanza dall'accessorio in rotazione.** Qualora si perda il controllo dell'utensile, il cavo potrebbe venire tagliato o restare impigliato, e la mano o il braccio potrebbero venire tirati nell'accessorio in rotazione.
  - Non appoggiare mai l'utensile elettrico finché non si è arrestato completamente.** L'accessorio in rotazione potrebbe far presa sulla superficie e tirare l'utensile elettrico facendone perdere il controllo all'operatore.
  - Dopo la sostituzione delle punte o dopo aver effettuato qualsiasi regolazione, accertarsi che il dado della bussola di chiusura, il portapunta o qualsiasi altro dispositivo di regolazione sia serrato saldamente.** Dispositivi di regolazione allentati potrebbero spostarsi inaspettatamente causando la perdita del controllo, e le parti rotanti allentate verrebbero scagliate con violenza.
  - Non far funzionare l'utensile elettrico mentre lo si trasporta sul proprio fianco.** Un contatto accidentale con l'accessorio in rotazione potrebbe far impigliare gli indumenti, tirando l'accessorio contro il corpo dell'operatore.
  - Pulire regolarmente le aperture di ventilazione dell'utensile elettrico.** La ventola del motore attira la polvere all'interno dell'alloggiamento, e l'accumulazione eccessiva di polvere metallica potrebbe causare pericoli di natura elettrica.

19. **Non far funzionare l'utensile elettrico in prossimità di materiali infiammabili.** Le scintille sprigionate potrebbero dare fuoco a tali materiali.
20. **Non utilizzare accessori che richiedano refrigeranti liquidi.** L'impiego di acqua o di altri refrigeranti liquidi potrebbe causare la folgorazione o scosse elettriche.

#### Contraccolpo e relative avvertenze

Il contraccolpo è una reazione improvvisa a un accessorio in rotazione che resti incastrato o impigliato. L'accessorio in rotazione incastrato o impigliato subisce un rapido stallo, che a sua volta spinge l'utensile elettrico fuori controllo nella direzione opposta alla rotazione dell'accessorio.

Ad esempio, qualora un disco abrasivo resti incastrato o impigliato nel pezzo, il filo del disco che entra nel punto di inceppamento può scavare nella superficie del materiale, causando la fuoriuscita o il contraccolpo del disco verso l'esterno. Il disco potrebbe saltare verso l'operatore o lontano da quest'ultimo, a seconda della direzione del movimento del disco nel punto di inceppamento. In queste condizioni, i dischi abrasivi potrebbero anche rompersi.

Il contraccolpo è il risultato dell'uso improprio dell'utensile elettrico e/o di procedure o condizioni operative errate, e può essere evitato adottando le precauzioni appropriate indicate di seguito.

1. **Mantenere una salda presa sull'utensile elettrico e posizionare il corpo e il braccio in modo da poter resistere alle forze dei contraccolpi.** L'operatore può controllare le forze dei contraccolpi, se adotta le precauzioni appropriate.
2. **Fare particolarmente attenzione quando si intende lavorare su angoli, bordi acuti, e così via. Evitare che l'accessorio rimbalzi o resti impigliato.** Gli angoli, i bordi acuti o i rimbalzi tendono a far impigliare l'accessorio in rotazione e a causare la perdita di controllo o il contraccolpo.
3. **Non montare lame dentate.** Tali lame causano frequenti contraccolpi e perdite di controllo.
4. **Fare sempre procedere la punta nel materiale nella stessa direzione in cui il bordo di taglio esce dal materiale (che è la stessa direzione di espulsione dei trucioli).** Se si fa procedere l'utensile nella direzione errata, si causa la fuoriuscita dal pezzo del bordo di taglio della punta, e l'utensile viene tirato nella direzione di questo movimento.

#### Avvertenze di sicurezza specifiche per la smerigliatura:

1. **Utilizzare solo i tipi di dischi consigliati per l'utensile elettrico utilizzato e solo per le applicazioni consigliate.**
2. **Non posizionare la mano in linea o dietro il disco in rotazione.** Quando il disco, sul punto della lavorazione, si allontana dalla mano, un possibile contraccolpo potrebbe spingere il disco che ruota e l'utensile elettrico direttamente verso l'operatore.

#### Avvertenze aggiuntive per la sicurezza:

1. **L'utensile è destinato all'uso con punte a disco abrasivo legato (mole) montate permanentemente su mandrini (codoli) normali e senza filettatura.**
2. **Accertarsi che il disco non sia in contatto con il pezzo prima di attivare l'interruttore.**

3. **Prima di utilizzare l'utensile su un pezzo effettivo, lasciarlo girare per qualche momento. Controllare l'eventuale presenza di vibrazioni od oscillazioni, che potrebbero denotare un'installazione errata del disco o un disco bilanciato male.**
4. **Utilizzare la superficie specificata del disco per eseguire la smerigliatura.**
5. **Fare attenzione alle scintille volanti. Tenere l'utensile in modo che le scintille vengano scagliate lontano dall'operatore e da altre persone o materiali infiammabili.**
6. **Non lasciare l'utensile mentre è in funzione. Far funzionare l'utensile solo tenendolo in mano.**
7. **Non toccare il pezzo subito dopo averlo lavorato con l'utensile; la temperatura del pezzo potrebbe essere estremamente elevata e causare ustioni.**
8. **Osservare le istruzioni del produttore per il corretto montaggio e utilizzo dei dischi. Maneggiare e conservare i dischi con cura.**
9. **Controllare che il pezzo sia supportato correttamente.**
10. **Qualora il luogo di lavoro sia estremamente caldo e umido, o notevolmente inquinato da polveri conduttive, utilizzare un interruttore di cortocircuito (da 30 mA) per garantire la sicurezza dell'operatore.**
11. **Non utilizzare l'utensile su materiali contenenti amianto.**
12. **Accertarsi sempre di essere saldamente in equilibrio sui piedi. Quando si intende utilizzare l'utensile in ubicazioni elevate, accertarsi che non sia presente alcuna persona sotto di sé.**

## CONSERVARE LE PRESENTI ISTRUZIONI.

**AVVERTIMENTO:** NON lasciare che comodità o la familiarità d'utilizzo con il prodotto (acquisita con l'uso ripetuto) sostituisca la stretta osservanza delle norme di sicurezza per il prodotto in questione. L'USO IMPROPRIO o la mancata osservanza delle norme di sicurezza indicate nel presente manuale di istruzioni potrebbero causare gravi lesioni personali.

## DESCRIZIONE DELLE FUNZIONI

**ATTENZIONE:** Accertarsi sempre che l'utensile sia spento e scollegato dall'alimentazione prima di regolare o controllare le sue funzioni.

### Utilizzo dell'interruttore

**ATTENZIONE:** Prima di collegare l'utensile all'alimentazione elettrica, accertarsi sempre che sia spento.

Per accendere l'utensile, spostare l'interruttore sulla posizione "I" (accensione). Per arrestarlo, spostare l'interruttore nella posizione "O" (spegnimento).

► **Fig.1:** 1. Interruttore

## MONTAGGIO

**⚠ATTENZIONE:** Accertarsi sempre che l'utensile sia spento e scollegato dall'alimentazione elettrica, prima di effettuare qualsiasi intervento su di esso.

### Installazione o rimozione della punta a disco

*Accessorio opzionale*

**⚠ATTENZIONE:** Utilizzare un cono della bussola di chiusura delle dimensioni corrette per la punta a disco che si intende utilizzare.

**AVVISO:** Non serrare il dado della bussola di chiusura senza aver inserito una punta a disco. In caso contrario, si potrebbe causare la rottura del cono della bussola di chiusura.

Allentare il dado della bussola di chiusura ruotandolo in senso antiorario e inserire la punta a disco nel dado della bussola di chiusura. Utilizzare una chiave per tenere fermo il mandrino. Quando si intende utilizzare un'altra chiave, ruotare il dado della bussola di chiusura in senso orario per serrarla saldamente.

► **Fig.2:** 1. Chiave 2. Dado della bussola di chiusura 3. Mandrino 4. Cono della bussola di chiusura

**NOTA:** Qualora non si riesca a inserire la punta a disco nel dado della bussola di chiusura dopo aver allentato quest'ultimo, il cono della bussola di chiusura potrebbe ostacolare la punta a disco. In tal caso, rimuovere il dado della bussola di chiusura e riposizionare il cono della bussola di chiusura.

La punta a disco non deve essere montata a più di 10 mm di distanza dal dado della bussola di chiusura. Una distanza che superi questa misura può causare vibrazioni oppure la rottura dell'albero.

► **Fig.3**

## FUNZIONAMENTO

**⚠ATTENZIONE:** Applicare una pressione leggera sull'utensile. Una pressione eccessiva sull'utensile causa solo una rifinitura imprecisa e un sovraccarico del motore.

**⚠ATTENZIONE:** La punta a disco continua a girare dopo lo spegnimento dell'utensile.

► **Fig.4**

Accendere l'utensile senza far entrare in contatto la punta a disco con il pezzo, e attendere che la punta a disco raggiunga la piena velocità. Quindi, applicare delicatamente la punta a disco sul pezzo. Per ottenere una buona finitura, spostare l'utensile lentamente verso sinistra.

## MANUTENZIONE

**⚠ATTENZIONE:** Accertarsi sempre che l'utensile sia spento e scollegato dall'alimentazione elettrica, prima di tentare di eseguire interventi di ispezione o manutenzione.

**AVVISO:** Non utilizzare mai benzina, benzene, solventi, alcol o altre sostanze simili. In caso contrario, si potrebbero causare scolorimenti, deformazioni o crepe.

### Come ravvivare la punta a disco

*Accessorio opzionale*

Quando la punta a disco si ricopre di pezzi e particelle, si consiglia di ravvivare la punta a disco con la pietra ravvivamole.

► **Fig.5**

Per preservare la SICUREZZA e l'AFFIDABILITÀ del prodotto, le riparazioni e qualsiasi altro intervento di manutenzione e di regolazione devono essere eseguiti da un centro di assistenza autorizzato Makita, utilizzando sempre ricambi Makita.

## ACCESSORI OPZIONALI

**⚠ATTENZIONE:** Questi accessori o componenti aggiuntivi sono consigliati per l'uso con l'utensile Makita specificato nel presente manuale. L'impiego di altri accessori o componenti aggiuntivi può costituire un rischio di lesioni alle persone. Utilizzare gli accessori o i componenti aggiuntivi solo per il loro scopo prefissato.

Per ottenere ulteriori dettagli relativamente a questi accessori, rivolgersi a un centro di assistenza Makita.

- Punta a disco
- Gruppo cono bussola di chiusura (3 mm, 6 mm, 1/4", 1/8")
- Chiave 10
- Pietra ravvivamole

**NOTA:** Alcuni articoli nell'elenco potrebbero essere inclusi nell'imballaggio dell'utensile come accessori standard. Tali articoli potrebbero variare da nazione a nazione.

## TECHNISCHE GEGEVENS

<b>Model:</b>		<b>GD0603</b>
Maat van spankop (afhankelijk van het land)		6 mm of 1/4"
Max. maat van slijpstift	Max. diameter stift	19 mm
	Max. lengte van spil (schacht)	38 mm
Nominaal toerental (n)/Nullasttoerental (n <sub>0</sub> )		28.000 min <sup>-1</sup>
Totale lengte		289 mm
Nettogewicht		0,97 kg
Veiligheidsklasse		□/II

- In verband met ononderbroken research en ontwikkeling behouden wij ons het recht voor bovenstaande technische gegevens te wijzigen zonder voorafgaande kennisgeving.
- De technische gegevens kunnen van land tot land verschillen.
- Gewicht volgens de EPTA-procedure 01/2003

### Gebruiksdoeleinden

Het gereedschap is bedoeld voor het slijpen van ferrometalen en het afbramen van gegoten metaaldelen.

### Voeding

Het gereedschap mag alleen worden aangesloten op een voeding van dezelfde spanning als aangegeven op het typeplaatje, en kan alleen worden gebruikt op enkelfase-wisselstroom. Het gereedschap is dubbel-geïsoleerd en kan derhalve ook op een niet-geaard stopcontact worden aangesloten.

### Geluidsniveau

De typische, A-gewogen geluidsniveaus zijn gemeten volgens EN60745:

Geluidsdrukniveau (L<sub>pA</sub>): 76 dB (A)

Onzekerheid (K): 3 dB (A)

Het geluidsniveau kan tijdens gebruik hoger worden dan 80 dB (A).

**WAARSCHUWING:** Draag gehoorbescherming.

### Trilling

De totale trillingswaarde (triaxiale vectorsom) zoals vastgesteld volgens EN60745:

Gebruikstoepassing: oppervlak slijpen

Trillingsemissie (a<sub>h</sub>): 2,5 m/s<sup>2</sup> of lager

Onzekerheid (K): 1,5 m/s<sup>2</sup>

**OPMERKING:** De opgegeven trillingsemissiewaarde is gemeten volgens de standaardtestmethode en kan worden gebruikt om dit gereedschap te vergelijken met andere gereedschappen.

**OPMERKING:** De opgegeven trillingsemissiewaarde kan ook worden gebruikt voor een beoordeling vooraf van de blootstelling.

### EU-verklaring van conformiteit

#### Alleen voor Europese landen

Makita verklaart hierbij dat de volgende machine(s):

Aanduiding van de machine: Stempelslijpmachine

Modelnr./Type: GD0603

Voldoet aan de volgende Europese richtlijnen: 2006/42/EU

Ze zijn gefabriceerd in overeenstemming met de volgende norm of genormaliseerde documenten: EN60745

Het technisch documentatiebestand volgens 2006/42/EU is verkrijgbaar bij:

Makita, Jan-Baptist Vinkstraat 2, 3070, België  
25.2.2015



Yasushi Fukaya

Directeur

Makita, Jan-Baptist Vinkstraat 2, 3070, België

### Algemene veiligheidsaanschuwingen voor elektrisch gereedschap

**WAARSCHUWING:** Lees alle veiligheidsaanschuwingen en alle instructies. Het niet volgen van de waarschuwingen en instructies kan leiden tot elektrische schokken, brand en/of ernstig letsel.

### Bewaar alle waarschuwingen en instructies om in de toekomst te kunnen raadplegen.

De term "elektrisch gereedschap" in de veiligheidsvoorschriften duidt op gereedschappen die op stroom van het lichtnet werken (met snoer) of gereedschappen met een accu (snoerloos).

## Veiligheidswaarschuwingen voor een stempelslijpmachine

### Gemeenschappelijke veiligheidswaarschuwingen voor slijpwerkzaamheden:

1. **Dit elektrisch gereedschap is bedoeld voor gebruik als slijpgereedschap. Lees alle veiligheidswaarschuwingen, instructies, afbeeldingen en technische gegevens die bij dit elektrisch gereedschap worden geleverd.** Als u nalaat alle onderstaande instructies te volgen, kan dit leiden tot een elektrische schok, brand en/of ernstig letsel.
2. **Wij adviseren u werkzaamheden zoals schuren, draadborstelen, polijsten of doorslijpen niet uit te voeren met dit elektrisch gereedschap.** Werkzaamheden waarvoor dit elektrisch gereedschap niet is bedoeld kunnen gevaarlijke situaties opleveren en tot persoonlijk letsel leiden.
3. **Gebruik geen accessoires die niet specifiek zijn ontworpen en aanbevolen door de fabrikant van het gereedschap.** Ook wanneer het accessoire kan worden bevestigd op uw elektrisch gereedschap, is een veilige werking niet gegarandeerd.
4. **Het nominale toerental van het accessoire moet minstens gelijk zijn aan het maximumtoerental vermeld op het elektrisch gereedschap.** Accessoires die met een hoger toerental draaien dan hun nominaal toerental kunnen stuk breken en in het rond vliegen.
5. **De buitendiameter en de dikte van het accessoire moet binnen het capaciteitsbereik van het elektrisch gereedschap vallen.** Accessoires met verkeerde afmetingen kunnen niet afdoende worden beheerst.
6. **De spildiameter van accessoires moet goed passen in de spankop van het elektrisch gereedschap.** Accessoires die niet overeenkomen met de bevestigingshardware van het elektrisch gereedschap, zullen niet gebalanceerd draaien en buitensporig trillen, en kunnen leiden tot verlies van controle over het gereedschap.
7. **Met een spil gemonteerde accessoires moeten volledig in de spankop of klembus worden gestoken.** Als de spil onvoldoende wordt vastgehouden en/of de stift te ver uitsteekt, kan het aangebrachte accessoire losraken en met hoge snelheid worden weggegooid.
8. **Gebruik nooit een beschadigd accessoire. Inspecteer het accessoire vóór ieder gebruik, bijvoorbeeld een slijpschijf op ontbrekende schijfveren en barsten. Nadat het elektrisch gereedschap of het accessoire is gevallen, inspecteert u het op schade of monteert u een onbeschadigd accessoire. Na inspectie en montage van een accessoire, zorgt u ervoor dat u en omstanders niet in het rotatievlak van het accessoire staan, en laat u het elektrisch gereedschap draaien op het maximaal, onbelast toerental gedurende één minuut.** Beschadigde accessoires breken normaal gesproken in stukken gedurende deze testduur.
9. **Gebruik persoonlijke-veiligheidsmiddelen. Afhankelijk van de toepassing gebruikt u een spatscherm, een beschermende bril of een veiligheidsbril. Al naar gelang van toepassing draagt u een stofmasker, gehoorbeschermers, handschoenen en een werkschoort die in staat zijn kleine stukjes slijpsel of werkstukfragmenten te weerstaan.** De oogbescherming moet in staat zijn rondvliegend afval te stoppen dat ontstaat bij de diverse werkzaamheden. Het stofmasker of ademhalingsapparaat moet in staat zijn deeltjes te filteren die ontstaat bij de werkzaamheden. Langdurige blootstelling aan zeer intens geluid kan leiden tot gehoorbeschadiging.
10. **Houd omstanders op veilige afstand van het werkgebied. Iedereen die zich binnen het werkgebied begeeft, moet persoonlijke-veiligheidsmiddelen gebruiken.** Fragmenten van het werkstuk of van een uiteengevallen accessoire kunnen rondvliegen en letsel veroorzaken buiten de onmiddellijke werkomgeving.
11. **Houd elektrisch gereedschap uitsluitend vast aan het geïsoleerde oppervlak van de handgrepen wanneer u werkt op plaatsen waar het accessoire met verborgen bedrading of zijn eigen snoer in aanraking kan komen.** Wanneer het accessoire in aanraking komt met onder spanning staande draden, zullen de niet-geïsoleerde metalen delen van het gereedschap onder spanning komen te staan zodat de gebruiker een elektrische schok kan krijgen.
12. **Houd het gereedschap altijd stevig in uw hand(en) vast tijdens het inschakelen.** Het reactiekoppel van de motor, bij het versnellen naar volledig toerental, kan ertoe leiden dat het gereedschap verdraait.
13. **Gebruik, indien dit praktisch mogelijk is, klemmen om het werkstuk vast te zetten. Houd een klein werkstuk nooit in één hand vast en het gereedschap in de andere hand terwijl het in gebruik is.** Door een klein werkstuk vast te klemmen kunt u uw hand(en) gebruiken om het gereedschap te controleren. Rond materiaal, zoals stangen, pijpen en slangen, neigen weg te rollen tijdens het bewerken, waardoor het bit kan vastlopen of naar u toe kan springen.
14. **Houd het snoer goed uit de buurt van het ronddraaiende accessoire.** Als u de controle verliest over het gereedschap, kan het snoer worden doorgesneden of bekneld raken, en kan uw hand of arm tegen het ronddraaiende accessoire worden aangetrokken.
15. **Leg het elektrisch gereedschap nooit neer voordat het accessoire volledig tot stilstand is gekomen.** Het ronddraaiende accessoire kan de ondergrond pakken zodat u de controle over het elektrisch gereedschap verliest.
16. **Na het verwisselen van het bit of maken van afstellingen, controleert u of de spanmoer, klembus of enige andere afstelrichting stevig vastgedraaid is.** Loszittende afstelrichtingen kunnen zich onverwacht verplaatsen, waardoor u de controle kunt verliezen en loszittende, draaiende componenten met geweld kunnen worden weggegooid.
17. **Laat het elektrisch gereedschap niet draaien terwijl u het naast u draagt.** Als het ronddraaiende accessoire u per ongeluk raakt, kan het verstrikt raken in uw kleding waardoor het accessoire in uw lichaam wordt getrokken.



18. **Maak de ventilatieopeningen van het gereedschap regelmatig schoon.** De ventilator van de motor zal het stof de behuizing in trekken, en een grote opeenhoping van metaalslijpsel kan leiden tot elektrisch gevaarlijke situaties.
19. **Gebruik het elektrisch gereedschap niet in de buurt van brandbare materialen.** Vonken kunnen deze materialen doen ontvlammen.
20. **Gebruik geen accessoires die met vloeistof moeten worden gekoeld.** Het gebruik van water of andere vloeibare koelmiddelen kan leiden tot elektrocutie of elektrische schokken.

#### Terugslag en aanverwante waarschuwingen

Terugslag is een plotselinge reactie op een bekneld of vastgelopen draaiend accessoire. Beknellen of vastlopen veroorzaakt een snelle stilstand van het draaiende accessoire wat op zijn beurt ertoe leidt dat het elektrisch gereedschap zich ongecontroleerd beweegt in de tegenovergestelde richting van de draairichting van het accessoire.

Bijvoorbeeld, als een slijpstift bekneld raakt of vastloopt in het werkstuk, kan de rand van de stift die het beknellingspunt ingaat, zich invreten in het oppervlak van het materiaal waardoor de stift eruit klimt of eruit slaat. De stift kan daarbij naar de gebruiker toe of weg springen, afhankelijk van de draairichting van de stift op het beknellingspunt. Slijpstiften kunnen in dergelijke situaties ook breken.

Terugslag is het gevolg van misbruik van het elektrisch gereedschap en/of onjuiste gebruikprocedures of -omstandigheden, en kan worden voorkomen door goede voorzorgsmaatregelen te treffen, zoals hieronder vermeld.

1. **Houd het elektrisch gereedschap stevig vast en houd uw armen en lichaam zodanig dat u in staat bent een terugslag op te vangen.** De gebruiker kan de kracht van een terugslag opvangen indien de juiste voorzorgsmaatregelen zijn getroffen.
2. **Wees bijzonder voorzichtig bij het werken met hoeken, scherpe randen, enz. Voorkom dat het accessoire springt of bekneld raakt.** Hoeken, scherpe randen of springen veroorzaken vaak beknellen van het draaiende accessoire wat leidt tot terugslag of verlies van controle over het gereedschap.
3. **Breng geen getand zaagblad aan.** Dergelijke accessoires leiden vaak tot terugslag of verlies van controle over het gereedschap.
4. **Zet het bit altijd in het materiaal in dezelfde richting waarin de slijkant het materiaal verlaat (wat dezelfde richting is waarin de materiaaldeeltjes worden weggevoerd).** Wanneer het gereedschap in de verkeerde richting wordt aangezet, zal de slijkant van het bit uit het materiaal klimmen en het gereedschap in de richting van deze aanzet trekken.

#### Veiligheidswaarschuwingen specifiek voor slijpwerkzaamheden:

1. **Gebruik uitsluitend stiften van het type aanbevolen voor uw elektrisch gereedschap en uitsluitend voor de aanbevolen toepassingen.**
2. **Plaats uw hand niet in één lijn achter de ronddraaiende stift. Wanneer de stift, op het aanzetpunt in het werkstuk, zich van uw hand af beweegt, kunnen door de mogelijke terugslag de ronddraaiende stift en het elektrisch gereedschap in uw richting worden geworpen.**

#### Aanvullende veiligheidswaarschuwingen:

1. **Het gereedschap is bedoeld voor gebruik met gelijmde slijpstiften (slijpstenen) die permanent zijn aangebracht op een gladde spil (schacht) zonder schroefdraad.**
2. **Zorg ervoor dat de stift niet in aanraking is met het werkstuk voordat u het gereedschap hebt ingeschakeld.**
3. **Laat het gereedschap een tijdje draaien voordat u het op een werkstuk gaat gebruiken. Controleer op trillingen of schommelingen die op onjuiste montage of een slecht uitgebalanceerde stift kunnen wijzen.**
4. **Gebruik de aangegeven kant van de schijf om mee te slijpen.**
5. **Wees alert op rondvliegende vonken. Houd het gereedschap zodanig vast dat de vonken wegvliegen van u en andere personen of brandbare materialen.**
6. **Laat het gereedschap niet ingeschakeld liggen. Bedien het gereedschap alleen wanneer u het vasthoudt.**
7. **Raak het werkstuk niet onmiddellijk na gebruik aan. Deze kan bijzonder heet zijn en brandwonden op uw huid veroorzaken.**
8. **Houd u aan de instructies van de fabrikant voor juiste montage en gebruik van de stiften. Behandel en bewaar de stiften zorgvuldig.**
9. **Controleer dat het werkstuk goed wordt ondersteund.**
10. **Als de werkruimte bijzonder heet en vochtig is, of sterk vervuild is met geleidend stof, gebruik dan een kortsluitonderbreker (30 mA) om de veiligheid van de gebruiker te garanderen.**
11. **Gebruik het gereedschap niet op materiaal dat asbest bevat.**
12. **Zorg er altijd voor dat u stevig staat. Zorg ervoor dat er niemand zich onder u bevindt wanneer u het gereedschap op een hoge plaats gebruikt.**

## BEWAAR DEZE INSTRUCTIES.

**⚠WAARSCHUWING:** Laat u NIET misleiden door een vals gevoel van comfort en bekendheid met het gereedschap (na veelvuldig gebruik) en neem alle veiligheidsvoorschriften van het betreffende gereedschap altijd strikt in acht. **VERKEERD GEBRUIK** of het niet naleven van de veiligheidsvoorschriften in deze gebruiksaanwijzing kan leiden tot ernstig persoonlijk letsel.

## BESCHRIJVING VAN DE FUNCTIES

**⚠LET OP:** Controleer altijd of het gereedschap is uitgeschakeld en de stekker ervan uit het stopcontact is verwijderd alvorens de functies op het gereedschap te controleren of af te stellen.

## Werking van de schakelaar

**⚠ LET OP:** Controleer voor u de stekker in het stopcontact steekt altijd of het gereedschap uitgeschakeld is.

Om het gereedschap te starten, beweegt u de schakelaar naar de stand "I" (aan). Om het gereedschap te stoppen, beweegt u de schakelaar naar de stand "O" (uit).

► Fig.1: 1. Schakelaar

## MONTAGE

**⚠ LET OP:** Zorg altijd dat het gereedschap is uitgeschakeld en dat zijn stekker uit het stopcontact is verwijderd alvorens enig werk aan het gereedschap uit te voeren.

### De slijpstift aanbrengen of verwijderen

#### Optioneel accessoire

**⚠ LET OP:** Gebruik de juiste maat spankegel voor de slijpstift die u wilt gebruiken.

**KENNISGEVING:** Draai de moer van de spanmoer niet vast zonder een slijpstift aan te brengen. Als u dit toch doet, kan de spankegel kapot gaan.

Draai de moer van de spanmoer linksom los en steek de slijpstift in de moer van de spanmoer. Gebruik één sleutel om de as vast te houden. Gebruik een andere sleutel om de moer van de spanmoer rechtsom stevig vast te draaien.

► Fig.2: 1. Sleutel 2. Spanmoer 3. As 4. Spankegel

**OPMERKING:** Als u de slijpstift niet in de spanmoer kunt steken nadat de spanmoer is losgedraaid, kan de spankegel in de weg zitten van de slijpstift. In dit het geval verwijdert u de spanmoer en verandert u de positie van de spankegel.

De slijpstift mag niet dichterbij dan 10 mm vanaf de moer van de spanmoer worden aangebracht. Het overschrijden van deze afstand kan trilling of een gebroken as veroorzaken.

► Fig.3

## BEDIENING

**⚠ LET OP:** Oefen lichte druk uit op het gereedschap. Overmatige druk op het gereedschap zal resulteren in slechte afwerking en overbelasting van de motor.

**⚠ LET OP:** De slijpstift blijft draaien nadat het gereedschap is uitgeschakeld.

► Fig.4

Zet het gereedschap aan zonder dat de slijpstift met het werkstuk in aanraking komt, en wacht totdat de slijpstift op vol toerental draait. Breng dan de slijpstift voorzichtig in aanraking met het werkstuk. U krijgt een goede afwerking door het gereedschap langzaam naar links te bewegen.

## ONDERHOUD

**⚠ LET OP:** Zorg altijd dat het gereedschap is uitgeschakeld en zijn stekker uit het stopcontact is verwijderd alvorens te beginnen met inspectie of onderhoud.

**KENNISGEVING:** Gebruik nooit benzine, wasbenzine, thinner, alcohol en dergelijke. Hierdoor kunnen verkleuring, vervormingen en barsten worden veroorzaakt.

### De slijpstift opruwen

#### Optioneel accessoire

Wanneer de slijpstift "vol" raakt met allerlei brokjes en deeltjes, moet u de slijpstift opruwen met de opruwsteen.

► Fig.5

Om de VEILIGHEID en BETROUWBAARHEID van het gereedschap te handhaven, dienen alle reparaties, onderhoud of afstellingen te worden uitgevoerd bij een erkend Makita-servicecentrum of de Makita-fabriek, en altijd met gebruik van Makita-vervangingsonderdelen.

## OPTIONELE ACCESSOIRES

**⚠ LET OP:** Deze accessoires of hulpstukken worden aanbevolen voor gebruik met het Makita gereedschap dat in deze gebruiksaanwijzing is beschreven. Bij gebruik van andere accessoires of hulpstukken bestaat het gevaar van persoonlijke letsel. Gebruik de accessoires of hulpstukken uitsluitend voor hun bestemde doel.

Wenst u meer bijzonderheden over deze accessoires, neem dan contact op met het plaatselijke Makita-servicecentrum.

- Slijpstiften
- Set spankegels (3 mm, 6 mm, 1/4", 1/8")
- Sleutel 10
- Opruwsteen

**OPMERKING:** Sommige items op de lijst kunnen zijn inbegrepen in de doos van het gereedschap als standaard toebehoren. Deze kunnen van land tot land verschillen.

# ESPECIFICACIONES

<b>Modelo:</b>		<b>GD0603</b>
Tamaño de pinza (específico para cada país)		6 mm o 1/4"
Tamaño máx. de punta de amolar	Diámetro máx. de muela	19 mm
	Longitud máx. de mandril (espiga)	38 mm
Velocidad nominal (n)/Velocidad en vacío (n <sub>0</sub> )		28.000 min <sup>-1</sup>
Longitud total		289 mm
Peso neto		0,97 kg
Clase de seguridad		□/II

- Debido a nuestro continuado programa de investigación y desarrollo, las especificaciones aquí dadas están sujetas a cambios sin previo aviso.
- Las especificaciones pueden ser diferentes de país a país.
- Peso de acuerdo con el procedimiento EPTA 01/2003

## Uso previsto

La herramienta ha sido prevista para amolar materiales ferrosos o desbarbar piezas fundidas.

## Alimentación

La herramienta deberá ser conectada solamente a una fuente de alimentación de la misma tensión que la indicada en la placa de características, y solamente puede ser utilizada con alimentación de CA monofásica. La herramienta tiene doble aislamiento y puede, por lo tanto, utilizarse también en tomas de corriente sin conductor de tierra.

## Ruido

El nivel de ruido A-ponderado típico determinado de acuerdo con la norma EN60745:

Nivel de presión sonora (L<sub>pA</sub>): 76 dB (A)

Error (K): 3 dB (A)

El nivel de ruido en situación de trabajo puede exceder 80 dB (A).

**⚠ ADVERTENCIA:** Póngase protectores para oídos.

## Vibración

El valor total de la vibración (suma de vectores triaxiales) determinado de acuerdo con la norma EN60745:

Modo de trabajo: amolado superficial

Emisión de vibración (a<sub>h</sub>): 2,5 m/s<sup>2</sup> o menos

Error (K): 1,5 m/s<sup>2</sup>

**NOTA:** El valor de emisión de vibración declarado ha sido medido de acuerdo con el método de prueba estándar y se puede utilizar para comparar una herramienta con otra.

**NOTA:** El valor de emisión de vibración declarado también se puede utilizar en una valoración preliminar de exposición.

## Declaración de conformidad CE

### Para países europeos solamente

Makita declara que la(s) máquina(s) siguiente(s):

Designación de máquina: Rectificador

Modelo N°/ Tipo: GD0603

Cumplen con las directivas europeas siguientes: 2006/42/CE

Están fabricadas de acuerdo con las normas o documentos normalizados siguientes: EN60745

El archivo técnico de acuerdo con la norma 2006/42/CE está disponible en:

Makita, Jan-Baptist Vinkstraat 2, 3070, Bélgica  
25.2.2015



Yasushi Fukaya

Director

Makita, Jan-Baptist Vinkstraat 2, 3070, Bélgica

## Advertencias de seguridad para herramientas eléctricas en general

**⚠ ADVERTENCIA:** Lea todas las advertencias de seguridad y todas las instrucciones. Si no sigue las advertencias e instrucciones podrá resultar en una descarga eléctrica, un incendio y/o heridas graves.

## Guarde todas las advertencias e instrucciones para futuras referencias.

El término "herramienta eléctrica" en las advertencias se refiere a su herramienta eléctrica de funcionamiento con conexión a la red eléctrica (con cable) o herramienta eléctrica de funcionamiento a batería (sin cable).



## Advertencias de seguridad para el rectificador

### Advertencias de seguridad comunes para la operación de amolar:

- Esta herramienta eléctrica ha sido prevista para funcionar como amoladora. Lea todas las advertencias de seguridad, instrucciones, ilustraciones y especificaciones provistas con esta herramienta eléctrica.** Si no sigue todas las instrucciones indicadas abajo, podrá ocasionar una descarga eléctrica, un incendio y/o heridas graves.
- Operaciones como lijado, cepillado con alambres, pulido o corte no se recomienda realizarlas con esta herramienta eléctrica.** Las operaciones para las que la herramienta eléctrica no ha sido diseñada pueden crear una situación de riesgo y ocasionar heridas personales.
- No utilice accesorios que no estén específicamente diseñados y recomendados por el fabricante de la herramienta.** Solamente porque el accesorio pueda ser instalado en su herramienta eléctrica, no quiere decir que su operación sea segura.
- La velocidad nominal del accesorio deberá ser al menos igual que la velocidad máxima marcada en la herramienta eléctrica.** Utilizados a una velocidad más alta de su velocidad nominal los accesorios pueden romperse y salir despedidos.
- El diámetro exterior y el espesor de su accesorio deberán estar dentro de la capacidad nominal de su herramienta eléctrica.** Los accesorios de tamaño incorrecto no se pueden controlar adecuadamente.
- El tamaño de la caña de los accesorios debe encajar debidamente en la pinza de la herramienta eléctrica.** Los accesorios que no correspondan con el dispositivo de montaje de la herramienta eléctrica se desequilibrarán, vibrarán excesivamente y podrán ocasionar la pérdida del control.
- Los accesorios con mandril de montaje deberán ser insertados a tope en la pinza o la prensa.** Si el mandril no está bien sujetado y/o la parte saliente de la muela es muy larga, el accesorio montado podrá aflojarse y ser lanzado a gran velocidad.
- No utilice un accesorio dañado. Antes de cada utilización, inspeccione los accesorios tales como las muelas abrasivas por si están astillados o agrietados. Si deja caer la herramienta eléctrica o el accesorio, inspecciónelo por si está dañado o instale un accesorio no dañado.** Después de inspeccionar e instalar un accesorio, póngase usted y los curiosos alejados del plano del accesorio giratorio y haga funcionar la herramienta eléctrica a la velocidad en vacío máxima durante un minuto. Normalmente, los accesorios dañados se romperán durante este tiempo de prueba.
- Póngase equipo de protección personal. Dependiendo de la aplicación, utilice pantalla facial, gafas de protección o gafas de seguridad.** Según corresponda, póngase mascarilla contra el polvo, protectores auditivos, guantes y delantal de taller que pueda detener pequeños fragmentos abrasivos o de la pieza de trabajo. La protección de los ojos deberá ser capaz de detener los restos que salen volando generados en las diferentes operaciones. La mascarilla contra el polvo o respirador deberá ser capaz de filtrar las partículas generadas en su operación. La exposición prolongada a ruido de alta intensidad podrá ocasionar pérdida auditiva.
- Mantenga a los curiosos a una distancia segura alejados del área de trabajo. Cualquiera persona que entre en el área de trabajo deberá utilizar equipo de protección personal.** Los fragmentos de la pieza de trabajo o de un accesorio roto pueden salir volando y ocasionar heridas más allá del área de operación inmediata.
- Cuando realice una operación en la que el accesorio de corte pueda entrar en contacto con cableado oculto o con su propio cable, sujete la herramienta eléctrica por las superficies de asiento aisladas solamente.** El contacto del accesorio de corte con un cable con corriente hará que la corriente circule por las partes metálicas expuestas de la herramienta eléctrica y podrá soltar una descarga eléctrica al operario.
- Sujete siempre la herramienta firmemente con la mano(s) durante la puesta en marcha.** La torsión de reacción del motor, al acelerarse hasta plena velocidad, puede hacer que la herramienta sea retuerza.
- Utilice mordazas para sujetar la pieza de trabajo siempre que sea práctico. No sujete nunca una pieza de trabajo pequeña con una mano y la herramienta con la otra mano mientras utiliza la herramienta.** La sujeción con mordazas de una pieza de trabajo pequeña le permite utilizar la mano(s) para controlar la herramienta. El material redondo como varillas de madera, tubos o tuberías tienden a rodar mientras están siendo cortados, y pueden hacer que la punta se estanque o salte hacia usted.
- Posicione el cable de alimentación alejado del accesorio giratorio.** Si pierde el control, el cable podrá ser cortado o enredarse y tirar de su mano o brazo hacia el accesorio giratorio.
- No deje nunca la herramienta eléctrica hasta que el accesorio se haya detenido completamente.** El accesorio giratorio puede agarrarse en la superficie y tirar de la herramienta eléctrica dejándola fuera de control.
- Después de cambiar las puntas o de hacer cualquier ajuste, asegúrese de que la tuerca de pinza, la prensa o cualquier otro dispositivo de ajuste está firmemente apretado.** Los dispositivos de ajuste flojos pueden moverse inesperadamente, ocasionado la pérdida del control, y los componentes giratorios flojos serán lanzados violentamente.
- No tenga la herramienta eléctrica encendida mientras la lleva en su costado.** Un contacto accidental con el accesorio giratorio podrá enganchar sus ropas, y arrastrar el accesorio hacia su cuerpo.

18. **Limpie regularmente los orificios de ventilación de la herramienta eléctrica.** El ventilador del motor atraerá el polvo al interior de la carcasa y una acumulación excesiva del polvo metálico puede ocasionar riesgos eléctricos.
19. **No utilice la herramienta eléctrica cerca de materiales inflamables.** Las chispas pueden prender estos materiales.
20. **No utilice accesorios que requieran líquidos refrigerantes.** La utilización de agua u otros líquidos refrigerantes puede resultar en electrocución o descarga eléctrica.

#### **Retrocesos bruscos y advertencias relacionadas**

El retroceso brusco es una reacción repentina debida a un aprisionamiento o estancamiento del accesorio giratorio. El aprisionamiento o estancamiento ocasiona un detenimiento rápido del accesorio giratorio que a su vez hace que la herramienta eléctrica descontrolada sea forzada en dirección opuesta al giro del accesorio. Por ejemplo, si la muela abrasiva queda aprisionada o estancada por la pieza de trabajo, el borde de la muela que está entrando en el punto de estancamiento puede hincarse en la superficie del material haciendo que la muela se salga hacia fuera o salte. La muela podrá saltar hacia el operario o en dirección contraria a él, dependiendo de la dirección del movimiento de la muela en el punto de estancamiento. Las muelas abrasivas también pueden romperse en estas condiciones. Los retrocesos bruscos se deben a un mal uso de la herramienta eléctrica y/o a procedimientos o condiciones de trabajo incorrectos y pueden evitarse tomando las precauciones apropiadas indicadas abajo.

1. **Mantenga la herramienta eléctrica sujeta firmemente y posicione su cuerpo y brazo de forma que pueda resistir las fuerzas del retroceso brusco.** El operario puede controlar las fuerzas de retroceso brusco, si toma las precauciones apropiadas.
2. **Utilice especial cuidado cuando trabaje en esquinas, bordes cortantes, etc. Evite que el accesorio rebote o se enganche.** Las esquinas, bordes cortantes o los rebotes tienen la tendencia a enganchar el accesorio giratorio y ocasionar la pérdida del control o retroceso brusco.
3. **No instale un disco de sierra dentado.** Tales discos crean retrocesos bruscos y pérdida de control frecuentes.
4. **Desplace siempre la punta contra el material en la misma dirección que en la que el borde de corte sale del material (que es la misma dirección en la que salen lanzadas las virutas).** Si la herramienta es desplazada en la dirección incorrecta el borde de corte de la punta saltará fuera de la pieza de trabajo y tirará de la herramienta en la dirección que es desplazada.

#### **Advertencias de seguridad específicas para amolar:**

1. **Utilice solamente tipos de muelas que están recomendados para su herramienta eléctrica y solamente para las aplicaciones recomendadas.**
2. **No ponga su mano en línea con la muela giratoria o detrás de la muela.** Cuando la muela, en el punto de operación, está moviéndose alejándose de su mano, el posible retroceso brusco puede lanzar la muela giratoria y la herramienta eléctrica directamente contra usted.

#### **Advertencias de seguridad adicionales:**

1. **La herramienta ha sido prevista para ser utilizada con puntas de amolar abrasivas aglomeradas (piedras de esmerilar) montadas permanentemente en mandril (espiga) liso y sin rosca.**
2. **Asegúrese de que la muela no está haciendo contacto con la pieza de trabajo antes de activar el interruptor.**
3. **Antes de utilizar la herramienta en una pieza de trabajo definitiva, déjela funcionar durante un rato. Observe para ver si hay vibración o bamboleo que pueda indicar una incorrecta instalación o muela mal equilibrada.**
4. **Utilice la superficie especificada de la muela para realizar el amolado.**
5. **Tenga cuidado con las chispas que salen volando. Sujete la herramienta de forma que las chispas salgan volando en dirección contraria a usted y otras personas o materiales inflamables.**
6. **No deje la herramienta en marcha. Tenga en marcha la herramienta solamente cuando la tenga en la mano.**
7. **No toque la pieza de trabajo inmediatamente después de la operación; podrá estar muy caliente y quemarle la piel.**
8. **Observe las instrucciones del fabricante para montar y utilizar de forma correcta las muelas. Maneje y almacene las muelas con cuidado.**
9. **Compruebe que la pieza de trabajo está debidamente apoyada.**
10. **Si el lugar de trabajo es muy caluroso y húmedo, o si está muy contaminado con polvo conductor, utilice un ruptor de cortocircuito (30 mA) para garantizar la seguridad del operario.**
11. **No utilice la herramienta con ningún material que contenga asbestos.**
12. **Asegúrese siempre de que tiene suelo firme. Asegúrese de que no haya nadie debajo cuando utilice la herramienta en lugares altos.**

## **GUARDE ESTAS INSTRUCCIONES.**

**⚠ADVERTENCIA:** NO deje que la comodidad o familiaridad con el producto (a base de utilizarlo repetidamente) sustituya la estricta observancia de las normas de seguridad para el producto en cuestión. **EL MAL USO** o el no seguir las normas de seguridad establecidas en este manual de instrucciones podrá ocasionar graves heridas personales.

## **DESCRIPCIÓN DEL FUNCIONAMIENTO**

**⚠PRECAUCIÓN:** Asegúrese siempre de que la herramienta está apagada y desenchufada antes de intentar realizar cualquier tipo de ajuste o comprobación en ella.

## Accionamiento del interruptor

**⚠ PRECAUCIÓN:** Antes de enchufar la herramienta, compruebe siempre para asegurarse de que está apagada.

Para poner en marcha la herramienta, mueva el interruptor a la posición "I" (encendida). Para pararla, mueva el interruptor a la posición "O" (apagada).

► Fig.1: 1. Interruptor

## MONTAJE

**⚠ PRECAUCIÓN:** Asegúrese siempre de que la herramienta está apagada y desenchufada antes de realizar cualquier trabajo en la herramienta.

## Instalación o desmontaje de la punta de amolar

### Accesorios opcionales

**⚠ PRECAUCIÓN:** Utilice la pinza cónica de tamaño correcto para la punta de amolar que piensa utilizar.

**AVISO:** No apriete la tuerca de pinza sin insertar una punta de amolar. De lo contrario, podrá dar lugar a que se rompa la pinza cónica.

Afloje la tuerca de pinza hacia la izquierda e inserte la punta de amolar en la tuerca de pinza. Utilice una llave para sujetar el eje. Utilizando otra llave, gire la tuerca de pinza hacia la derecha para apretar firmemente.

► Fig.2: 1. Llave 2. Tuerca de pinza 3. Eje 4. Pinza cónica

**NOTA:** Si no puede insertar la punta de amolar en la tuerca de pinza después de aflojar la tuerca de pinza, es posible que la pinza cónica obstruya la punta de amolar. En ese caso, retire la tuerca de pinza y reposicione la pinza cónica.

La punta de amolar no debe estar montada a más de 10 mm de la tuerca de pinza. Si se excede esta distancia se podrá producir vibración o romperse el eje.

► Fig.3

## OPERACIÓN

**⚠ PRECAUCIÓN:** Aplique una presión ligera sobre la herramienta. Una presión excesiva sobre la herramienta solamente ocasionará un mal acabado y una sobrecarga del motor.

**⚠ PRECAUCIÓN:** La punta de amolar continúa girando después de que la herramienta ha sido apagada.

► Fig.4

Encienda la herramienta sin que la punta de amolar esté haciendo ningún contacto con la pieza de trabajo y espere hasta que la punta de amolar alcance plena velocidad. Luego aplique suavemente la punta de amolar a la pieza de trabajo. Para obtener un buen acabado, mueva la herramienta en dirección hacia la izquierda despacio.

## MANTENIMIENTO

**⚠ PRECAUCIÓN:** Asegúrese siempre de que la herramienta está apagada y desenchufada antes de intentar realizar la inspección o el mantenimiento.

**AVISO:** No utilice nunca gasolina, bencina, disolvente, alcohol o similares. Podría producir descoloración, deformación o grietas.

## Acondicionamiento de la punta de amolar

### Accesorios opcionales

Cuando la punta de amolar se encuentre "cargada" con diferentes fragmentos y partículas, deberá acondicionar la punta de amolar con una piedra de acondicionamiento.

► Fig.5

Para mantener la SEGURIDAD y FIABILIDAD del producto, las reparaciones, y cualquier otra tarea de mantenimiento o ajuste deberán ser realizadas en centros de servicio o de fábrica autorizados por Makita, empleando siempre repuestos Makita.

## ACCESORIOS OPCIONALES

**⚠ PRECAUCIÓN:** Estos accesorios o aditamentos están recomendados para su uso con la herramienta Makita especificada en este manual. El uso de cualquier otro accesorio o aditamento puede suponer un riesgo de heridas personales. Utilice el accesorio o aditamento solamente con la finalidad indicada para el mismo.

Si necesita cualquier ayuda para más detalles en relación con estos accesorios, pregunte al centro de servicio Makita local.

- Puntas de amolar
- Juego de pinza cónica (3 mm, 6 mm, 1/4", 1/8")
- Llave 10
- Piedra de acondicionamiento

**NOTA:** Algunos elementos de la lista podrán estar incluidos en el paquete de la herramienta como accesorios estándar. Pueden variar de un país a otro.

## ESPECIFICAÇÕES

Modelo:	GD0603	
Tamanho da pinça (específico para o país)	6 mm ou 1/4"	
Tamanho máx. do ponteiro rotativo	Diâmetro máx. da roda	19 mm
	Comprimento máx. do mandril (haste)	38 mm
Velocidade nominal (n)/Velocidade em vazio (n <sub>0</sub> )	28.000 min <sup>-1</sup>	
Comprimento total	289 mm	
Peso líquido	0,97 kg	
Classe de segurança	□/II	

- Devido a um programa contínuo de pesquisa e desenvolvimento, estas especificações podem ser alteradas sem aviso prévio.
- As especificações podem variar de país para país.
- Peso de acordo com o Procedimento 01/2003 da EPTA (European Power Tool Association)

### Utilização a que se destina

Esta ferramenta foi concebida para desbastar materiais ferrosos ou para rebarbar peças fundidas.

### Alimentação

A ferramenta só deve ser ligada a uma fonte de alimentação com a mesma tensão da indicada na placa de características, e só funciona com alimentação de corrente alterna (CA) monofásica. Tem um sistema de isolamento duplo e pode, por isso, utilizar tomadas sem ligação à terra.

### Ruído

A característica do nível de ruído A determinado de acordo com a EN60745:

Nível de pressão acústica (L<sub>PA</sub>): 76 dB (A)

Variabilidade (K): 3 dB (A)

O nível de ruído durante o funcionamento pode exceder 80 dB (A).

**AVISO:** Utilize protetores auriculares.

### Vibração

Valor total da vibração (soma vetorial tri-axial) determinado de acordo com a EN60745:

Modo de trabalho: desbaste de superfície

Emissão de vibração (a<sub>v</sub>): 2,5 m/s<sup>2</sup> ou menos

Variabilidade (K): 1,5 m/s<sup>2</sup>

**NOTA:** O valor da emissão de vibração indicado foi medido de acordo com o método de teste padrão e pode ser utilizado para comparar duas ferramentas.

**NOTA:** O valor da emissão de vibração indicado pode também ser utilizado na avaliação preliminar da exposição.

### Declaração de conformidade CE

#### Só para países Europeus

A Makita declara que a(s) seguinte(s) máquina(s):

Designação da ferramenta: Retificadeira

N.º/ Tipo de modelo: GD0603

Em conformidade com as seguintes diretivas europeias: 2006/42/CE

São fabricadas de acordo com as seguintes normas ou documentos normalizados: EN60745

O ficheiro técnico, que está em conformidade com a 2006/42/CE, está disponível em:

Makita, Jan-Baptist Vinkstraat 2, 3070, Bélgica  
25.2.2015



Yasushi Fukaya

Diretor

Makita, Jan-Baptist Vinkstraat 2, 3070, Bélgica

### Avisos gerais de segurança para ferramentas elétricas

**AVISO:** Leia todos os avisos de segurança e todas as instruções. O não cumprimento de todos os avisos e instruções pode originar choque elétrico, incêndio e/ou ferimentos graves.

### Guarde todos os avisos e instruções para futuras referências.

O termo "ferramenta elétrica" nos avisos refere-se às ferramentas elétricas ligadas à corrente elétrica (com cabo) ou às ferramentas elétricas operadas por meio de bateria (sem cabo).

## Avisos de segurança para a retificadeira

Avisos de segurança comuns para a operação de desbaste:

- Esta ferramenta elétrica tem por finalidade funcionar como uma retificadora. Leia todos os avisos de segurança, instruções, ilustrações e especificações fornecidos com esta ferramenta elétrica.** O não cumprimento de todas as instruções indicadas abaixo pode resultar em choque elétrico, incêndio e/ou ferimentos graves.
- As operações como o lixamento, a limpeza com escova metálica, o polimento ou a serra-gem não são recomendadas com esta ferramenta elétrica.** A utilização da ferramenta elétrica para finalidades diferentes pode ser perigosa e provocar ferimentos pessoais.
- Não utilize acessórios que não sejam especificamente designados e recomendados pelo fabricante da ferramenta.** O facto de o acessório poder ser instalado na ferramenta elétrica, não garante um funcionamento com segurança.
- A velocidade nominal do acessório deve ser pelo menos igual à velocidade máxima marcada na ferramenta elétrica.** Os acessórios que funcionam mais rápido do que a velocidade nominal podem partir-se e serem arremessados.
- O diâmetro externo e a espessura do acessório devem estar dentro da classificação da capacidade da ferramenta elétrica.** Não é possível controlar adequadamente acessórios de tamanho incorreto.
- O tamanho da fixação dos acessórios tem encaixar corretamente na pinça da ferramenta elétrica.** Os acessórios que não correspondem ao hardware de montagem da ferramenta elétrica ficam desequilibrados, vibram excessivamente e podem provocar perda de controlo.
- Os acessórios montados no mandril têm de ser inseridos até ao fim dentro da pinça ou da bucha.** Se o mandril não ficar bem fixo e/ou a sobre-elevação do rebolo rotativo for demasiado longa, o acessório montado pode soltar-se e ser arremessado a alta velocidade.
- Não utilize acessórios danificados.** Antes de cada utilização, inspecione o acessório, tal como o rebolo rotativo abrasivo, para ver se está lascado ou trincado. Se a ferramenta elétrica ou acessório cair, inspecione para ver se está danificado ou instale um acessório não danificado. Depois de inspecionar e instalar um acessório, utilize a ferramenta elétrica na velocidade máxima em vazio durante um minuto, assegurando-se de que o acessório rotativo está afastado de si próprio e de espetadores. Em geral, os acessórios danificados partem-se durante este período de teste.
- Utilize equipamento de proteção pessoal.** Conforme a aplicação, use um protetor facial, óculos de segurança ou protetores oculares. Conforme apropriado, use uma máscara contra pó, protetores auditivos, luvas e avental com capacidade para proteger contra estilhaços abrasivos pequenos ou fragmentos da peça de trabalho. A proteção ocular deve ter capacidade para proteger contra detritos arremessados durante as várias operações. A máscara de pó ou de respiração deve ter capacidade para filtrar as partículas geradas durante a operação. A exposição prolongada a ruídos de alta intensidade pode provocar perda de audição.
- Mantenha os espetadores afastados da área de trabalho a uma distância segura. Todas as pessoas que entram na área de trabalho devem usar equipamentos de proteção pessoal.** Os estilhaços da peça de trabalho ou de um acessório partido podem ser arremessados e provocar ferimentos em pessoas que se encontram além da área imediata de operação.
- Agarre na ferramenta elétrica somente pelas pegas isoladas quando executa uma operação em que o acessório de corte possa entrar em contacto com fios ocultos ou com o seu próprio fio.** O contacto do acessório de corte com um fio elétrico "sob tensão" pode tornar as partes metálicas expostas da ferramenta elétrica "sob tensão" e pode causar um choque elétrico ao operador.
- Segure sempre a ferramenta com firmeza na(s) mão(s) durante o arranque.** O binário de reação do motor, enquanto acelera até à velocidade máxima, pode fazer com que a ferramenta gire.
- Utilize braçadeiras para suportar a peça de trabalho sempre que seja prático. Nunca segure uma peça de trabalho pequena numa mão e a ferramenta na outra durante a utilização.** Fixar uma peça de trabalho pequena permite-lhe utilizar a(s) mão(s) para controlar a ferramenta. Os materiais circulares, como as hastes de cavilha, tubos ou tubagens têm tendência para rolar quando estão a ser cortados e podem fazer com que a ponta dobre ou salte na sua direção.
- Posicione o fio longe do acessório rotativo.** Se perder o controlo, o fio pode ficar preso ou ser cortado e a sua mão ou braço pode ser puxado para o acessório em rotação.
- Nunca pouse a ferramenta elétrica antes de o acessório parar completamente.** O acessório em rotação pode prender na superfície e descontratar a ferramenta elétrica.
- Depois de mudar as pontas ou de fazer quaisquer ajustes, certifique-se de que a porca da pinça ou a bucha, ou quaisquer outros dispositivos de ajuste estão apertados em segurança.** Os dispositivos de ajuste soltos podem mudar de direção inesperadamente provocando a perda de controlo, bem como os componentes rotativos soltos podem ser arremessados com violência.
- Não utilize a ferramenta elétrica enquanto a carrega ao seu lado.** O contacto acidental com o acessório em rotação pode prender a sua roupa e puxar o acessório na direção do seu corpo.
- Limpe os orifícios de ventilação da ferramenta elétrica regularmente.** A ventoinha do motor atrai pó para dentro da caixa e uma acumulação excessiva de metal pulverizado pode provocar choques elétricos.
- Não utilize a ferramenta perto de materiais inflamáveis.** As faíscas podem incendiar esses materiais.



20. **Não utilize acessórios que necessitem de refrigerantes líquidos.** A utilização de água ou de outros refrigerantes líquidos pode resultar em eletrocussão ou choque elétrico.

#### Recuos e avisos relacionados

O recuo é uma reação súbita a um acessório rotativo preso ou enganchado. Quando a ferramenta prende ou engancha em algum material faz com que o acessório rotativo pare subitamente o que, por sua vez, descontrola a ferramenta elétrica que é empurrada na direção oposta à da rotação do acessório.

Por exemplo, se um rebolo rotativo abrasivo ficar preso ou emperrado na peça de trabalho, a extremidade que está a entrar no ponto onde prendeu pode penetrar na superfície do material fazendo com que o rebolo rotativo salte ou provoque um recuo. O rebolo rotativo pode saltar na direção do operador ou na direção oposta, dependendo do sentido do movimento do rebolo rotativo no ponto onde ficou preso. Os rebolos rotativos abrasivos também podem partir nessas circunstâncias. O recuo é o resultado da utilização imprópria da ferramenta elétrica e/ou das condições ou procedimentos de utilização incorretos e pode ser evitado tomando as medidas de precaução adequadas indicadas abaixo.

1. **Agarre a ferramenta elétrica com firmeza e posicione-se de forma que o seu corpo e braço possam resistir ao impulso do recuo.** O operador pode controlar as forças de recuo se forem tomadas as devidas precauções.
2. **Tenha cuidado especialmente ao trabalhar em cantos, extremidades afiadas, etc. Evite forçar ou prender o acessório.** Os cantos, as extremidades afiadas ou a utilização de força excessiva tendem a prender o acessório rotativo e provocam perda de controlo ou recuo.
3. **Não instale uma lâmina de serra serrilhada.** Essas lâminas criam recuos frequentes e perda de controlo
4. **Insira sempre a ponta dentro do material na mesma direção em que a extremidade de corte sai do material (que é a mesma direção em que as aparas do material são arremessadas).** Inserir a ferramenta na direção errada faz com que a extremidade de corte da ponta suba pela peça de trabalho e empurre a ferramenta na direção em que a ferramenta está a ser inserida.

#### Avisos de segurança específicos para o desbaste:

1. **Utilize apenas tipos de rebolos rotativos recomendados para a sua ferramenta elétrica e apenas para as aplicações recomendadas.**
2. **Não posicione a sua mão em linha e por trás do rebolo rotativo. Quando o rebolo rotativo, durante a operação, estiver a afastar-se da sua mão, qualquer recuo que ocorra pode arremessar o rebolo rotativo e a ferramenta elétrica na sua direção.**

#### Avisos de segurança adicionais:

1. **A ferramenta deve ser utilizada com rebolos rotativos abrasivos (pedras de amolar) ligados, montados permanentemente num mandril plano, não roscado (hastes).**
2. **Antes de ligar o interruptor da ferramenta, certifique-se de que o rebolo rotativo não está em contacto com a peça de trabalho.**

3. **Antes de utilizar a ferramenta na peça de trabalho, deixe-a funcionar por alguns instantes. Observe se há vibrações ou movimentos irregulares que possam indicar uma má instalação ou desequilíbrio do rebolo rotativo.**
4. **Utilize a superfície especificada do rebolo para realizar o desbaste.**
5. **Tenha cuidado com as faíscas que saltam. Agarre a ferramenta de modo que as faíscas não saltem na sua direção, na direção de outras pessoas ou de materiais inflamáveis.**
6. **Não deixe a ferramenta a funcionar. Utilize a ferramenta só quando estiver a segurá-la.**
7. **Não toque na peça de trabalho imediatamente após a operação; pode estar muito quente e causar queimaduras.**
8. **Observe as instruções do fabricante para a montagem e utilização corretas dos rebolos rotativos. Manuseie e guarde os rebolos rotativos com cuidado.**
9. **Verifique se a peça de trabalho está suportada adequadamente.**
10. **Se o local de trabalho for extremamente quente e húmido ou muito poluído por pó condutor, utilize um disjuntor (30 mA) para assegurar uma operação segura.**
11. **Não utilize a ferramenta em qualquer material que contenha amianto.**
12. **Mantenha-se sempre numa posição firme e equilibrada. Certifique-se de que ninguém está por baixo quando utiliza a ferramenta em locais altos.**

## GUARDE ESTAS INSTRUÇÕES.

**⚠️ AVISO:** NÃO permita que o conforto ou familiaridade com o produto (adquirido com o uso repetido) substitua o cumprimento estrito das regras de segurança da ferramenta. A MÁ INTERPRETAÇÃO ou o não seguimento das regras de segurança estabelecidas neste manual de instruções pode provocar ferimentos pessoais graves.

## DESCRIÇÃO FUNCIONAL

**⚠️ PRECAUÇÃO:** Certifique-se sempre de que a ferramenta está desligada e com a ficha retirada da tomada, antes de proceder a afinações ou de verificar o funcionamento da respetiva ferramenta.

### Ação do interruptor

**⚠️ PRECAUÇÃO:** Antes de ligar a ferramenta na tomada, verifique sempre se a mesma está desligada.

Para pôr a ferramenta a funcionar, mova o interruptor para a "I" (ligada). Para parar a ferramenta, mova o interruptor na posição "O" (desligada).

► Fig.1: 1. Interruptor

## MONTAGEM

**⚠️ PRECAUÇÃO:** Certifique-se sempre de que a ferramenta está desligada e com a ficha retirada da tomada antes de executar quaisquer trabalhos na ferramenta.

### Instalação ou remoção do ponteiro rotativo

#### Acessório opcional

**⚠️ PRECAUÇÃO:** Utilize o cone da pinça do tamanho correto para o ponteiro rotativo que pretende utilizar.

**OBSERVAÇÃO:** Não aperte a porca da pinça sem inserir um ponteiro rotativo. Caso contrário, pode partir o cone da pinça.

Desaperte a porca da pinça rodando-a para a esquerda e insira o ponteiro rotativo na porca da pinça. Utilize uma chave para fixar o eixo. Utilize outra chave para rodar a porca da pinça para a direita de forma a ficar bem presa.

► **Fig.2:** 1. Chave 2. Porca da pinça 3. Eixo 4. Cone da pinça

**NOTA:** Se não conseguir inserir o ponteiro rotativo dentro da porca da pinça depois de soltar a porca da pinça, o cone da pinça pode obstruir o ponteiro rotativo. Nesse caso, retire a porca da pinça e reposicione o cone da pinça.

A distância entre a porca da pinça e o ponteiro rotativo não deve ser superior a 10 mm. Se exceder esta distância o veio poderá partir-se ou provocar vibrações.

► **Fig.3**

## OPERAÇÃO

**⚠️ PRECAUÇÃO:** Exerça uma ligeira pressão sobre a ferramenta. Uma pressão excessiva na ferramenta provocará um acabamento imperfeito e uma sobrecarga do motor.

**⚠️ PRECAUÇÃO:** O ponteiro rotativo continua a rodar depois de a ferramenta ser desligada.

► **Fig.4**

Ligue a ferramenta num momento em que o ponteiro rotativo não está em contacto com a peça de trabalho e espere até o ponteiro rotativo atingir a velocidade máxima. Em seguida, coloque o ponteiro rotativo suavemente sobre a peça de trabalho. Para obter um bom acabamento, mova a ferramenta lentamente para a esquerda.

## MANUTENÇÃO

**⚠️ PRECAUÇÃO:** Certifique-se sempre de que a ferramenta está desligada e com a ficha retirada da tomada antes de tentar proceder à inspeção ou à manutenção.

**OBSERVAÇÃO:** Nunca utilize gasolina, benzina, diluente, álcool ou produtos semelhantes. Pode ocorrer a descoloração, deformação ou rachaduras.

### Afiar o ponteiro rotativo

#### Acessório opcional

Quando houver um excesso de partículas e fragmentos metálicos no ponteiro rotativo, deve extrai-los mediante a utilização de uma pedra retificadora.

► **Fig.5**

Para manter a SEGURANÇA e a FIABILIDADE do produto, as reparações e qualquer outra manutenção ou ajuste devem ser levados a cabo pelos centros de assistência Makita autorizados ou pelos centros de assistência de fábrica, utilizando sempre peças de substituição Makita.

## ACESSÓRIOS OPCIONAIS

**⚠️ PRECAUÇÃO:** Estes acessórios ou peças são recomendados para utilização com a ferramenta Makita especificada neste manual. A utilização de outros acessórios ou peças pode ser perigosa para as pessoas. Utilize apenas acessórios ou peças para os fins indicados.

Se necessitar de informações adicionais relativas a estes acessórios, solicite-as ao seu centro de assistência Makita.

- Ponteiros rotativos
- Conjunto do cone da pinça (3 mm, 6 mm, 1/4", 1/8")
- Chave 10
- Pedra retificadora

**NOTA:** Alguns itens da lista podem estar incluídos na embalagem da ferramenta como acessórios padrão. Eles podem variar de país para país.

## SPECIFIKATIONER

<b>Model:</b>		<b>GD0603</b>
Størrelse af spændepatron (landespecifik)		6 mm eller 1/4"
Maks. størrelse af slibespids	Maks. diameter af skiven	19 mm
	Maks. længde af spindel (aksel)	38 mm
Nominel hastighed (n)/Hastighed uden belastning (n <sub>0</sub> )		28.000 min <sup>-1</sup>
Længde i alt		289 mm
Nettovægt		0,97 kg
Sikkerhedsklasse		□/II

- På grund af vores kontinuerlige forsknings- og udviklingsprogrammer kan hosstående specifikationer blive ændret uden varsel.
- Specifikationer kan variere fra land til land.
- Vægt i henhold til EPTA-Procedure 01/2003

### Tilsigtet anvendelse

Maskinen er beregnet til at slibe jernholdige materialer eller til at afgrate støbninger.

### Strømforsyning

Maskinen må kun tilsluttes en strømforsyning med samme spænding som angivet på typeskiltet og kan kun anvendes på enfaset vekselstrømforsyning. Den er dobbeltisoleret og kan derfor også tilsluttes netstik uden jordforbindelse.

### Lyd

Det typiske A-vægtede støjniveau bestemt i overensstemmelse med EN60745:

Lydtryksniveau (L<sub>pA</sub>): 76 dB (A)

Usikkerhed (K): 3 dB (A)

Støjniveauet under arbejdet kan overskride 80 dB (A).

**⚠ ADVARSEL: Bær høreværn.**

### Vibration

Vibrationens totalværdi (tre-aksial vektorsum) bestemt i overensstemmelse med EN60745:

Arbejdstilstand: overfladeslibning

Vibrationsemission (a<sub>v</sub>): 2,5 m/s<sup>2</sup> eller mindre

Usikkerhed (K): 1,5 m/s<sup>2</sup>

**BEMÆRK:** Den angivne vibrationsemissionsværdier blevet målt i overensstemmelse med standardtestmetoden og kan anvendes til at sammenligne et værktøj med et andet.

**BEMÆRK:** Den angivne vibrationsemissionsværdien kan også anvendes i en præliminær eksponeringsvurdering.

### EU-konformitetserklæring

#### Kun for lande i Europa

Makita erklærer, at den følgende maskine (maskiner):

Maskinens betegnelse: Ligesliber

Model nr./ Type: GD0603

Opfylder betingelserne i de følgende EU-direktiver: 2006/42/EF

De er fremstillet i overensstemmelse med den følgende standard eller standardiserede dokumenter: EN60745

Den tekniske fil, som er i overensstemmelse med 2006/42/EU er tilgængelig fra:

Makita, Jan-Baptist Vinkstraat 2, 3070, Belgien  
25.2.2015



Yasushi Fukaya

Direktør

Makita, Jan-Baptist Vinkstraat 2, 3070, Belgien

### Almindelige sikkerhedsregler for el-værktøj

**⚠ ADVARSEL: Læs alle sikkerhedsadvarsler og alle sikkerhedsinstruktioner.** Hvis nedenstående advarsler og instruktioner ikke overholdes, kan det medføre elektrisk stød, brand og/eller alvorlig personskade.

### Gem alle advarsler og instruktioner til fremtidig reference.

Ordet "el-værktøj" i advarselerne henviser til det netforsyede (netledning) el-værktøj eller batteriforsyede (akku) el-værktøj.



## Sikkerhedsadvarsler for ligsliber

### Almindelige sikkerhedsadvarsler for slibning:

- Denne maskine er beregnet til at fungere som en slibemaskine. Læs alle de sikkerhedsadvarsler, instruktioner og illustrationer og specifikationer, der følger med denne maskine.** Hvis alle de herunder anførte instruktioner ikke overholdes, kan det medføre elektrisk stød, brand og/eller alvorlig personskade.
- Arbejde som f.eks. sandslibning, trådbørstning, polering og afskæring anbefales ikke med denne maskine.** Arbejde, som maskinen ikke er beregnet til, kan være farligt og medføre personskade.
- Benyt ikke tilbehør, som ikke er specielt designet og anbefalet af maskinfabrikanten.** Selv om tilbehøret kan monteres på maskinen, kan sikker anvendelse ikke garanteres.
- Tilbehørets mærkehastighed skal være mindst den samme som den maksimale hastighed, som er angivet på maskinen.** Tilbehør, som kører hurtigere end dets mærkehastighed, kan brække og slynges af maskinen.
- Tilbehørets ydre diameter og tykkelse skal være inden for maskinens kapacitetsmærkedata.** Tilbehør af forkert størrelse kan ikke kontrolleres tilstrækkeligt.
- Størrelsen af tilbehørets dorn skal passe korrekt til maskinens spændepatron.** Tilbehør, der ikke passer til monteringsudstyret på maskinen, vil køre uafbalanceret, vibrere kraftigt og kan medføre tab af kontrollen.
- Spindelmonteret tilbehør skal sættes helt ind i spændepatronen eller patronen.** Hvis spindlen er mangelfuld fastgjort, og/eller skiven hænger for langt ud, kan det monterede tilbehør gå løs og blive slynget ud med stor hastighed.
- Benyt ikke tilbehør, som er beskadiget. Inspicér tilbehør, for eksempel slibeskiver, for skår og revner før hver brug.** Hvis maskinen eller dens tilbehør er blevet tabt, skal de inspiceres for beskadigelse, eller der skal monteres ubeskadiget tilbehør. Efter inspektion og montering af tilbehør skal De selv og eventuelle omkringstående stå uden for det roterende tilbehørs plan, og maskinen skal køre ved maksimal, ubelastet hastighed i et minut. Beskadiget tilbehør vil normalt gå i stykker i løbet af denne testtid.
- Anvend altid personligt beskyttelsesudstyr.** Afhængigt af arbejdet anvendes ansigtsmaske, beskyttelsesbriller eller sikkerhedsbriller. Alt efter situationen anvendes støvmaske, høreværn, handsker og arbejdsforklæde, som er i stand til at stoppe små, slidende dele eller fragmenter fra arbejdsområdet. Øjenbeskyttelsen skal kunne stoppe flyvende rester, som frembringes af diverse arbejde. Støvmasken eller åndedrætsværnet skal kunne filtrere partikler, som frembringes under arbejdet. Længere tids udsættelse for kraftig støj kan medføre svækkelse af hørelsen.
- Hold omkringstående personer på sikker afstand af arbejdsområdet.** Alle, der befinder sig i arbejdsområdet, skal bære beskyttelsesudstyr. Fragmenter fra arbejdsområdet eller ødelagt tilbehør kan slynges ud og medføre personskade uden for det umiddelbare arbejdsområde.
- Hold kun maskiner i de isolerede grebflader, når De udfører arbejde, hvor det skærende tilbehør kan komme i kontakt med skjulte ledninger eller maskinens egen netledning.** Skærende tilbehør, som kommer i berøring med en strømførende ledning, kan bevirke, at udsatte metaldele på maskinen bliver strømførende, hvorved operatøren kan få elektrisk stød.
- Hold altid maskinen fast i hænderne under start.** Motorens drejningsmomentreaktion, når den accelererer til fuld hastighed, kan få maskinen til at dreje.
- Brug skruetvinger til at støtte arbejdsområdet, når det er muligt. Hold aldrig et lille arbejdsstykke i den ene hånd og maskinen i den anden hånd under brug.** Fastspænding af små arbejdsstykker gør det muligt for Dem at bruge hænderne til at styre maskinen. Runde arbejdsstykker som f.eks. samlestænger, rør eller slanger har tendens til at rulle under skæring og kan få spidsen til at sidde fast eller springe tilbage mod Dem selv.
- Anbring ledningen på afstand af det roterende tilbehør.** Hvis De mister herredømmet, kan ledningen blive skåret over eller hænge fast, og Deres hånd eller arm kan blive trukket ind i det roterende tilbehør.
- Læg aldrig maskinen fra Dem, før tilbehøret er stoppet helt.** Det roterende tilbehør kan gribe fat i overfladen og trække i maskinen, så De mister herredømmet.
- Når De har skiftet spidsen eller foretaget justeringer, skal De sikre Dem, at spændemøtrikken, patronen eller andre justeringsenheder er forsvarligt strammet.** Løse justeringsenheder kan flytte sig uventet og medføre, at De mister herredømmet, og løse roterende dele slynges bort med stor hastighed.
- Kør ikke maskinen, mens De bærer den ved siden.** Uønsket kontakt med det roterende tilbehør kan bevirke, at Deres tøj sætter sig fast og trækker tilbehøret ind i Deres krop.
- Rengør maskinens ventilationsåbninger med jævne mellemrum.** Motorens ventilator trækker støv ind i huset, og ekstrem ophobning af metalstøv kan medføre elektrisk fare.
- Anvend ikke maskinen i nærheden af brændbare materialer.** Disse materialer kan antændes af gnister.
- Anvend ikke tilbehør, som kræver flydende kølemidler.** Anvendelse af vand eller andre flydende kølemidler kan resultere i dødbringende elektriske stød eller stød.

### Tilbageslag og relaterede advarsler

Tilbageslag er en pludselig reaktion på fastklemt eller fasthængende roterende tilbehør. Fastklemning eller hindring medfører hurtig standsning af det roterende tilbehør, hvilket igen medfører, at den ukontrollerede maskine tvinges i den modsatte retning af tilbehørets rotation.

Hvis for eksempel en slibeskive hindres eller fastklemmes af et arbejdsemne, kan den kant på skiven, som går ind i fastklemningspunktet, grave sig ind i materialets overflade, så skiven går ud eller slynges ud ved tilbageslag. Skiven kan enten springe mod eller bort fra operatøren, afhængigt af skivens bevægelse på fastklemningspunktet. Slibeskiver kan også brække under disse forhold.

Tilbageslag er et resultat af misbrug af og/eller forkert betjening af maskinen eller forkerte brugsforhold. Dette kan undgås ved, at der tages de rette forholdsregler som anvist herunder.

1. **Hold godt fast i maskinen, og indtag en stilling med krop og armene, så tilbageslagskraft modvirkes.** Operatøren kan kontrollere tilbageslagskraft, hvis de rigtige forholdsregler tages.
2. **Vær særlig forsigtig, når De arbejder på hjørner, skarpe kanter osv. Undgå, at tilbehøret hopper eller hindres.** Hjørner, skarpe kanter eller hoppen har en tendens til at hindre det roterende tilbehør og medføre, at De mister herredømmet, eller at der opstår tilbageslag.
3. **Monér ikke en savklinge med tænder.** Sådanne klinger er hyppigt årsag til tilbageslag og tab af herredømmet.
4. **Før altid spidsen ind i materialet i samme retning, som den skærende kant kommer ud af materialet (hvilket er den samme retning, som spånerne kastes ud).** Hvis maskinen indsættes i den forkerte retning, vil spidsens skærende kant klatre ud af arbejdsemnet og trække maskinen i retning af fremføringen.

#### Særlige sikkerhedsadvarsler for slibning:

1. **Brug kun skivetyper, der anbefales til maskinen, og kun til de anbefalede formål.**
2. **Placér ikke hånden på linje med og bag ved den roterende skive.** Når skiven på arbejdsstedet bevæger sig væk fra Deres hånd, kan et muligt tilbageslag slynge den roterende skive og maskinen direkte mod Dem selv.

#### Supplerende sikkerhedsforskrifter:

1. **Maskinen er beregnet til brug sammen med limede slibespids (slibesten), der er monteret permanent på almindelige spindeler (akser) uden gevind.**
2. **Sørg for, at skiven ikke er i berøring med arbejdsemnet, inden De tænder ved afbryderen.**
3. **Inden maskinen anvendes på et arbejdsemne, skal De lade den køre i et stykke tid. Se efter, om der er vibrationer eller slinger, som kan indikere forkert montering eller en forkert balanceret skive.**
4. **Benyt den specificerede overflade på skiven til at udføre slibearbejdet.**
5. **Vær på vagt over for flyvende gnister. Hold maskinen således, at gnisterne vil flyve bort fra Dem selv og andre personer og brændbare materialer.**
6. **Lad ikke maskinen køre, når den ikke anvendes. Anvend kun maskinen, når den holdes i hånden.**

7. **Undgå at berøre arbejdsemnet umiddelbart efter arbejdets ophør. Det kan være meget varmt og kan forårsage forbrændinger af huden.**
8. **Overhold altid fabrikantens instruktioner for korrekt montering og anvendelse af skiver. Håndtér og opbevar skiver omhyggeligt.**
9. **Kontrollér, at arbejdsemnet er ordentligt understøttet.**
10. **Hvis arbejdsstedet er meget varmt og fugtigt eller stærkt forurenset af ledende støv, skal der anvendes en kortslutningsafbryder (30 mA) for at beskytte operatøren.**
11. **Benyt ikke maskinen på materialer, som indeholder asbest.**
12. **Sørg altid for at have et sikkert fodfæste. Sørg for, at der ikke befinder sig personer nedeunder, når maskinen anvendes på et højtbeliggende sted.**

## GEM DISSE FORSKRIFTER.

**⚠ ADVARSEL:** LAD IKKE bekvemmelighed eller kendskab til produktet (opnået gennem gentagen brug) forhindre, at sikkerhedsforskrifterne for produktet nøje overholdes. MISBRUG eller forsømmelse af at følge de i denne brugsvejledning givne sikkerhedsforskrifter kan medføre alvorlig personskade.

## FUNKTIONSBESKRIVELSE

**⚠ FORSIGTIG:** Kontrollér altid, at maskinen er slået fra, og at netstikket er trukket ud, før der udføres justeringer, eller funktioner kontrolleres på maskinen.

## Afbryderfunktion

**⚠ FORSIGTIG:** Inden maskinen sættes i forbindelse, skal det altid kontrolleres, at den er afbrudt.

For at starte maskinen skubbes afbryderknappen til "I" positionen (tændt). For at stoppe skubbes den til "O" positionen (slukket).

► Fig. 1: 1. Afbryderknap

## SAMLING

**⚠ FORSIGTIG:** Sørg altid for, at maskinen er slukket og taget ud af forbindelse, inden der udføres nogen form for arbejde på maskinen.

## Montering eller afmontering af slibespidsen

### Ekstraudstyr

**⚠ FORSIGTIG:** Anvend den korrekte størrelse spændekonus til den slibespids, De vil anvende.

**BEMÆRKNING:** Undlad at tilspænde spændemøtrikken uden at indsætte en slibespids. Ellers kan det medføre, at spændekonussen brækker.

Løsn spændemøtrikken i retningen mod uret, og sæt slibespidsen i spændemøtrikken. Brug en skruenøgle til at holde spindlen. Brug en anden skruenøgle til at dreje spændemøtrikken i retningen med uret for at stramme godt til.

► Fig.2: 1. Skruenøgle 2. Spændemøtrik 3. Spindel 4. Spændepatron

**BEMÆRK:** Hvis du ikke kan sætte slibespidsen ind i spændemøtrikken, efter at du har løsnet spændemøtrikken, sidder spændepatronen muligvis i vejen for slibespidsen. Fjern i så fald spændemøtrikken, og flyt spændepatronen.

Slibespidsen bør ikke påsættes mere end 10 mm fra spændemøtrikken. Overskrides denne afstand, kan det medføre vibrationer og beskadigelse af akslen.

► Fig.3

## ANVENDELSE

**⚠ FORSIGTIG:** Anvend et let tryk på maskinen. For hårdt tryk på maskinen giver et dårligt resultat og overbelaster motoren.

**⚠ FORSIGTIG:** Slibespidsen fortsætter rotation, efter at der er slukket for maskinen.

► Fig.4

Tænd for maskinen, uden at slibespidsen berører arbejdsområdet, og vent, til slibespidsen når fuld hastighed. Sæt derefter forsigtigt slibespidsen mod arbejdsområdet. For at opnå et godt resultat skal maskinen bevæges langsomt mod venstre.

## VEDLIGEHOJDELSE

**⚠ FORSIGTIG:** Kontrollér altid, at der er slukket for maskinen, og at netstikket er trukket ud, før der udføres eftersyn eller vedligeholdelse.

**BEMÆRKNING:** Anvend aldrig benzin, rensebenzin, fortynder, alkohol og lignende. Det kan medføre misfarvning, deformering eller revner.

## Rensning af slibespidsen

### Ekstraudstyr

Når slibespidsen "sætter til" med diverse stumper og partikler, skal De rense den med en afrettesten.

► Fig.5

For at opretholde produktets SIKKERHED og PÅLIDELIGHED må reparation, vedligeholdelse eller justering kun udføres af et autoriseret Makita servicecenter eller fabrikkerservicecenter med anvendelse af Makita reservedele.

## EKSTRAUDSTYR

**⚠ FORSIGTIG:** Det følgende tilbehør og ekstraudstyr er anbefalet til brug med Deres Makita maskine, der er beskrevet i denne brugsanvisning. Anvendelse af andet tilbehør eller ekstraudstyr kan udgøre en risiko for personskade. Anvend kun tilbehør og ekstraudstyr til det beskrevne formål.

Hvis De behøver hjælp ved valg af tilbehør eller ønsker yderligere informationer, bedes De kontakte Deres lokale Makita servicecenter.

- Slibespids
- Spændepatronsæt (3 mm, 6 mm, 1/4", 1/8")
- Skruenøgle 10
- Afrettesten

**BEMÆRK:** Nogle ting på denne liste kan være inkluderet i værktøjsskappen som standardtilbehør. Det kan være forskellige fra land til land.

## ΠΡΟΔΙΑΓΡΑΦΕΣ

<b>Μοντέλο:</b>		<b>GD0603</b>
Μέγεθος κολάρου (ειδικό της χώρας)		6 mm ή 1/4"
Μέγ. μέγεθος ακίδας τροχού	Μέγ. διάμετρος τροχού	19 mm
	Μέγ. μήκος συγκρατητή (στέλεχος)	38 mm
Όνομαστική ταχύτητα (n)/Ταχύτητα χωρίς φορτίο (n <sub>0</sub> )		28.000 min <sup>-1</sup>
Συνολικό μήκος		289 mm
Καθαρό βάρος		0,97 kg
Κατηγορία ασφάλειας		□/II

- Λόγω του συνεχόμενου προγράμματος που εφαρμόζουμε για έρευνα και ανάπτυξη, τα τεχνικά χαρακτηριστικά στο παρόν έντυπο υπόκεινται σε αλλαγή χωρίς προειδοποίηση.
- Τα τεχνικά χαρακτηριστικά μπορεί να διαφέρουν από χώρα σε χώρα.
- Βάρος σύμφωνα με διαδικασία EPTA 01/2003

### Προοριζόμενη χρήση

Το εργαλείο προορίζεται για εργασίες λείανσης σιδηρούχων υλικών ή την απομάκρυνση γρεζιών από χυτά τεμάχια.

### Ηλεκτρική παροχή

Το εργαλείο πρέπει να συνδέεται μόνο με ηλεκτρική παροχή της ίδιας τάσης με αυτή που αναγράφεται στην πινακίδα ονομαστικών τιμών και μπορεί να λειτουργήσει μόνο με εναλλασσόμενο μονοφασικό ρεύμα. Υπάρχει διπλή μόνωση και κατά συνέπεια, μπορεί να γίνει σύνδεση σε ακροδέκτες χωρίς σύρμα γείωσης.

### Θόρυβος

Το τυπικό Α επίπεδο καταμετρημένου θορύβου καθορίζεται σύμφωνα με το EN60745: Στάθμη ηχητικής πίεσης (L<sub>PA</sub>): 76 dB (A)  
Αβεβαιότητα (K): 3 dB (A)

Η ένταση θορύβου υπό συνθήκες εργασίας μπορεί να υπερβεί τα 80 dB (A).

**▲ ΠΡΟΕΙΔΟΠΟΙΗΣΗ: Να φοράτε ωτοασπίδες.**

### Κραδασμός

Η ολική τιμή δόνησης (άθροισμα τρι-αξονικού διανύσματος) καθορίζεται σύμφωνα με το EN60745: Είδος εργασίας: λείανση επιφανείας  
Εκπομπή δόνησης (a<sub>h</sub>): 2,5 m/s<sup>2</sup> ή λιγότερο  
Αβεβαιότητα (K): 1,5 m/s<sup>2</sup>

**ΠΑΡΑΤΗΡΗΣΗ:** Η δηλωμένη τιμή εκπομπής κραδασμών έχει μετρηθεί σύμφωνα με την πρότυπη μέθοδο δοκιμής και μπορεί να χρησιμοποιηθεί για τη σύγκριση ενός εργαλείου με άλλο.

**ΠΑΡΑΤΗΡΗΣΗ:** Η δηλωμένη τιμή εκπομπής κραδασμών μπορεί να χρησιμοποιηθεί και στην προκαταρκτική αξιολόγηση έκθεσης.

### Δήλωση Συμμόρφωσης ΕΚ

#### Μόνο για χώρες της Ευρώπης

Η Makita δηλώνει ότι τα ακόλουθα μηχανήματα:

Χαρακτηρισμός μηχανήματος: Λειαντής

Αρ. μοντέλου/ Τύπος: GD0603

Συμμορφώνονται με τις ακόλουθες Ευρωπαϊκές Οδηγίες: 2006/42/EK

Κατασκευάζονται σύμφωνα με τα ακόλουθα πρότυπα ή έγγραφα τυποποίησης: EN60745

Το τεχνικό αρχείο σύμφωνα με την 2006/42/EK διατίθεται από:

Makita, Jan-Baptist Vinkstraat 2, 3070, Βέλγιο  
25.2.2015



Yasushi Fukaya

Διευθυντής

Makita, Jan-Baptist Vinkstraat 2, 3070, Βέλγιο

### Γενικές προειδοποιήσεις ασφαλείας για το ηλεκτρικό εργαλείο

**▲ ΠΡΟΕΙΔΟΠΟΙΗΣΗ:** Διαβάστε όλες τις προειδοποιήσεις για την ασφάλεια και όλες τις οδηγίες.

Η μη τήρηση των προειδοποιήσεων και οδηγιών μπορεί να καταλήξει σε ηλεκτροπληξία, πυρκαγιά ή/και σοβαρό τραυματισμό.

### Φυλάξτε όλες τις προειδοποιήσεις και τις οδηγίες για μελλοντική παραπομπή.

Στις προειδοποιήσεις, ο όρος «ηλεκτρικό εργαλείο» αναφέρεται σε ηλεκτρικό εργαλείο που τροφοδοτείται από την κύρια παροχή ηλεκτρικού ρεύματος (με ηλεκτρικό καλώδιο) ή σε ηλεκτρικό εργαλείο που τροφοδοτείται από μπαταρία (χωρίς ηλεκτρικό καλώδιο).

## Προειδοποιήσεις ασφάλειας για το λειαντή

### Προειδοποιήσεις ασφαλείας κοινές για εργασίες λείανσης:

1. Το παρόν ηλεκτρικό εργαλείο προορίζεται για λειτουργία ως λειαντής. Διαβάστε όλες τις προειδοποιήσεις ασφαλείας, τις οδηγίες, τις απεικονίσεις και τις προδιαγραφές που συνοδεύουν το παρόν ηλεκτρικό εργαλείο. Η μη τήρηση όλων των οδηγιών που αναγράφονται κατωτέρω ενδέχεται να καταλήξει σε ηλεκτροπληξία, πυρκαγιά ή/και σοβαρό τραυματισμό.
2. Δεν συνιστάται η εκτέλεση εργασιών γυαλοχαρτίσματος, καθαρισμού με συρματοβούρσα, στίλβωσης ή κοπής με το παρόν ηλεκτρικό εργαλείο. Η εκτέλεση εργασιών για τις οποίες δεν έχει σχεδιαστεί το παρόν ηλεκτρικό εργαλείο μπορεί να εγκυμονεί κινδύνους και να προκαλέσει προσωπικό τραυματισμό.
3. Μη χρησιμοποιείτε εξαρτήματα που δεν έχουν σχεδιαστεί ειδικά για το συγκεκριμένο εργαλείο και δεν συνιτώνται από τον κατασκευαστή του. Η χρήση ενός εξαρτήματος απλά και μόνο επειδή μπορεί να προσαρμοστεί στο ηλεκτρικό εργαλείο δεν διασφαλίζει την ασφαλή λειτουργία του.
4. Η ονομαστική ταχύτητα του εξαρτήματος πρέπει να είναι τουλάχιστον ίση με τη μέγιστη ταχύτητα που αναγράφεται στο ηλεκτρικό εργαλείο. Εξαρτήματα τα οποία περιστρέφονται ταχύτερα από την ονομαστική ταχύτητά τους μπορεί να υποστούν θραύση και τα θραύσματα να εκτιναχθούν στον περιβάλλοντα χώρο.
5. Η εξωτερική διάμετρος και το πάχος του εξαρτήματος πρέπει να βρίσκεται εντός των ορίων της ονομαστικής ικανότητας του ηλεκτρικού εργαλείου. Δεν είναι επικτός ο επαρκής έλεγχος εξαρτημάτων εσφαλμένου μεγέθους.
6. Το μέγεθος στελέχους των εξαρτημάτων πρέπει να ταιριάζει σωστά με το κολάρο του ηλεκτρικού εργαλείου. Τα εξαρτήματα που δεν ταιριάζουν με τον εξοπλισμό στερέωσης του ηλεκτρικού εργαλείου θα λειτουργούν χωρίς ισοροπία, θα δονούνται υπερβολικά και μπορεί να προκαλέσουν απώλεια ελέγχου.
7. Τα εξαρτήματα που είναι στερεωμένα στο συγκρατητή πρέπει να έχουν εισαχθεί πλήρως στο κολάρο ή στο τσοκ. Αν ο συγκρατητής συγκρατείται ανεπαρκώς ή/και το προβαλλόμενο τμήμα του τροχού είναι πολύ μακρύ, το στερεωμένο εξάρτημα μπορεί να γίνει χαλαρό και να εκτοξευτεί με μεγάλη ταχύτητα.
8. Μη χρησιμοποιείτε εξάρτημα που έχει υποστεί βλάβη. Πριν από κάθε χρήση, να ελέγχετε τα εξαρτήματα, όπως λειαντικούς τροχούς, για ριγίσματα και ρωγμές. Σε περίπτωση πτώσης του ηλεκτρικού εργαλείου ή του εξαρτήματος, ελέγξτε για τυχόν καταστροφή ή τοποθέτηση ένα εξάρτημα που δεν έχει υποστεί καταστροφή. Μετά από τον έλεγχο και την τοποθέτηση ενός εξαρτήματος, κρατηθείτε εσείς και οι παρευρισκόμενοι σε θέση μακριά από το επίπεδο περιστροφής του εξαρτήματος και θέστε το ηλεκτρικό εργαλείο σε λειτουργία στη

μέγιστη ταχύτητα περιστροφής χωρίς φορτίο, για ένα λεπτό. Συνήθως, τα κατεστραμμένα εξαρτήματα διαλύονται, εντός του συγκεκριμένου χρόνου δοκιμής.

9. Να φοράτε ατομικό εξοπλισμό προστασίας. Ανάλογα με την εφαρμογή, να χρησιμοποιείτε προσωπίδα προστασίας, προστατευτικά γυαλιά-προσωπίδες ή γυαλιά ασφαλείας. Όταν απαιτείται, να φοράτε μάσκα σκόνης, προστατευτικά ακοής, γάντια και ποδιά συνεργείου ικανά να παρέχουν προστασία από εκτινασόμενα μικρά θραύσματα από τη λείανση ή του τεμαχίου εργασίας. Τα προστατευτικά ματιών πρέπει να είναι ικανά να σταματήσουν τυχόν εκτινασόμενα θραύσματα που δημιουργούνται κατά την εκτέλεση διαφόρων εργασιών. Η μάσκα σκόνης ή η αναπνευστική συσκευή πρέπει να είναι ικανά να φιλτράρουν τα σωματίδια που δημιουργούνται κατά την εκτέλεση των εργασιών σας. Η παρατεταμένη έκθεση σε θόρυβο υψηλής έντασης μπορεί να προκαλέσει απώλεια ακοής.
10. Φροντίστε ώστε οι παρευρισκόμενοι να βρίσκονται σε ασφαλή απόσταση από το χώρο εργασίας. Οποιοσδήποτε εισέρχεται στο χώρο εργασίας πρέπει να φορά εξοπλισμό ατομικής προστασίας. Θραύσματα του τεμαχίου εργασίας ή ενός εξαρτήματος που έχει υποστεί θραύση μπορεί να εκτιναχθούν και να προκαλέσουν τραυματισμό πέραν του άμεσου χώρου εκτέλεσης των εργασιών.
11. Να κρατάτε το ηλεκτρικό εργαλείο μόνο από τις μονωμένες επιφάνειες συγκράτησης, κατά την εκτέλεση εργασιών όπου το εξάρτημα κοπής μπορεί να έρθει σε επαφή με κρυφές καλωδιώσεις ή το δικό του καλώδιο τροφοδοσίας. Σε περίπτωση επαφής του εξαρτήματος κοπής με ηλεκτροφόρο καλώδιο, μπορεί να εκτεθειμένα μεταλλικά εξαρτήματα του ηλεκτρικού εργαλείου να καταστούν τα ίδια ηλεκτροφόρα και να προκαλέσουν ηλεκτροπληξία στο χειριστή.
12. Να κρατάτε πάντα το εργαλείο καλά με το(α) χέρι(α) σας κατά την έναρξη. Η ροπή αντίδρασης του μοτέρ, καθώς επιταχύνει μέχρι την πλήρη ταχύτητα, μπορεί να προκαλέσει τη συστολή του εργαλείου.
13. Χρησιμοποιήστε συγκρατητές για να στηρίξετε το τεμάχιο εργασίας, όπου είναι πρακτικά εφικτό. Μην κρατάτε ποτέ ένα μικρό τεμάχιο εργασίας στο ένα χέρι και το εργαλείο στο άλλο χέρι ενώ το χρησιμοποιείτε. Η σύσφιξη ενός μικρού τεμαχίου εργασίας επιτρέπει να χρησιμοποιείτε το(α) χέρι(α) σας για να ελέγξετε το εργαλείο. Στρογγυλά υλικά όπως κοχλίες, σωλήνες ή σωληνώσεις έχουν την τάση να κυλούν ενώ κόβονται και μπορεί να προκαλέσουν τη συμπλοκή ή αναπήδηση της μύτης προς το μέρος σας.
14. Κρατήστε το καλώδιο τροφοδοσίας μακριά από το περιστρεφόμενο εξάρτημα. Αν χάσετε τον έλεγχο, το καλώδιο τροφοδοσίας μπορεί να κοπεί ή να εμπλακεί και το χέρι ή ο βραχίονάς σας μπορεί να τραβηχτεί προς το περιστρεφόμενο εξάρτημα.
15. Μην αφήνετε ποτέ το ηλεκτρικό εργαλείο κάτω, πριν σταματήσει πλήρως η περιστροφή του εξαρτήματος. Το περιστρεφόμενο εξάρτημα μπορεί να εμπλακεί στην επιφάνεια και να θέσει το ηλεκτρικό εργαλείο εκτός ελέγχου.



16. **Αφού αλλάξετε τις μύτες ή πραγματοποιήσετε οποιοσδήποτε ρυθμίσεις, βεβαιωθείτε ότι το παξιμάδι κολάρου, το τσοκ ή οποιοσδήποτε άλλες διατάξεις ρύθμισης είναι καλά σφιγμένες.** Οι χαλαρές διατάξεις ρύθμισης μπορούν να μεταποτιστούν απρόσμενα, προκαλώντας απώλεια ελέγχου και τη βίαια εκτόξευση των χαλαρών περιστρεφόμενων εξαρτημάτων.
17. **Μη θέσετε το ηλεκτρικό εργαλείο σε λειτουργία, ενώ το μεταφέρετε στο πλάι σας.** Η τυχαία επαφή με το περιστρεφόμενο εξάρτημα μπορεί να προκαλέσει πιάσιμο στα ρούχα σας και να τραβήξει το εξάρτημα μέσα στο σώμα σας.
18. **Να καθαρίζετε συχνά τις οπές αερισμού του ηλεκτρικού εργαλείου.** Ο ανεμιστήρας του μοτέρ θα τραβήξει τη σκόνη μέσα στο περιβλήμα και η υπερβολική συγκέντρωση ρινοσμάτων μετάλλου μπορεί να προκαλέσει κίνδυνο ηλεκτροπληξίας.
19. **Μη χειρίζεστε το ηλεκτρικό εργαλείο κοντά σε εύφλεκτα υλικά.** Οι σπινθήρες μπορεί να προκαλέσουν ανάφλεξη αυτών των υλικών.
20. **Μη χρησιμοποιείτε εξαρτήματα που απαιτούν υγρά ψυκτικά.** Η χρήση νερού ή άλλων υγρών ψυκτικών μπορεί να καταλήξει σε ηλεκτροπληξία ή σοκ.

#### **Κλότσημα και σχετικές προειδοποιήσεις**

Το κλότσημα είναι μια ξαφνική αντίδραση του εργαλείου λόγω σύσφιξης ή σκαλωμάτος ενός περιστρεφόμενου εξαρτήματος. Η σύσφιξη ή το σκάλωμα προκαλεί ταχεία ακινητοποίηση του περιστρεφόμενου εξαρτήματος, το οποίο στη συνέχεια υποχρεώνει το ανεξέλεγκτο ηλεκτρικό εργαλείο σε περιστροφή αντίθετη από εκείνη του εξαρτήματος.

Για παράδειγμα, αν ένας λειαντικός τροχός αντιμετωπίσει σύσφιξη ή εμπλοκή στο τεμάχιο εργασίας, η ακμή του τροχού που εισέρχεται στο σημείο σύσφιξης μπορεί να σκάψει την επιφάνεια του υλικού προκαλώντας την αναπήδηση ή την ανάκρουση του τροχού. Ο τροχός μπορεί να αναπηδήσει προς το μέρος του χειριστή ή αντίθετα να απομακρυνθεί από αυτόν, ανάλογα με τη φορά περιστροφής του τροχού στο σημείο σύσφιξης. Υπό αυτές τις συνθήκες, οι τροχοί λείανσης μπορεί επίσης να υποστούν θραύση.

Το κλότσημα είναι αποτέλεσμα κακής χρήσης ή/και εσφαλμένων διαδικασιών ή συνθηκών χειρισμού και είναι δυνατόν να αποφευχθεί αν λάβουμε τις κατάλληλες προφυλάξεις, όπως περιγράφονται κατωτέρω.

1. **Κρατήστε με μεγάλη σταθερότητα το ηλεκτρικό εργαλείο και τοποθετήστε το σώμα και το βραχιονά σας σε θέση ώστε να είναι δυνατόν να προβάλλετε αντίσταση στις δυνάμεις κλοστήματος.** Ο χειριστής μπορεί να ελέγξει τις αντιδράσεις κλοστήματος, αν έχουν ληφθεί οι κατάλληλες προφυλάξεις.
2. **Χρησιμοποιείτε πολύ προσοχή όταν εργάζεστε σε γωνίες, αιχμηρές άκρες, κλπ. Αποφεύγετε αναπηδήσεις και εμπλοκές του εξαρτήματος.** Οι γωνίες, οι κοφτερές ακμές ή η αναπήδηση έχουν την τάση να προκαλούν εμπλοκή ή περιστρεφόμενου εξαρτήματος και απώλεια ελέγχου ή κλότσημα.
3. **Μη συνδέετε οδοντωτή λάμα πριονιού.** Οι λάμες αυτού του τύπου προκαλούν συχνά κλότσημα και απώλεια ελέγχου
4. **Να εισαγάγετε τη μύτη μέσα στο υλικό με την ίδια κατεύθυνση που βγαίνει το άκρο κοπής από το υλικό (η οποία είναι η ίδια κατεύθυνση**

που πετάγονται τα ρινίσματα). Αν εισαγάγετε το εργαλείο με λάθος κατεύθυνση, το άκρο κοπής της μύτης θα εξέλθει από το τεμάχιο εργασίας και θα τραβήξει το εργαλείο προς την κατεύθυνση της δικής του εισόδου.

#### **Προειδοποιήσεις ασφαλείας ειδικά για λείανση:**

1. **Να χρησιμοποιείτε μόνο τύπους τροχών που συνιστώνται για χρήση με το δικό σας ηλεκτρικό εργαλείο και μόνο για τις συνιστώμενες εφαρμογές.**
2. **Μην ευθυγραμμίζετε το χέρι σας μπροστά ή πίσω από τον περιστρεφόμενο τροχό. Όταν ο τροχός, στο σημείο εργασίας, κινείται απομακρυσμένος από το χέρι σας, τυχόν κλότσημα μπορεί να κατευθύνει τον περιστρεφόμενο τροχό και το ηλεκτρικό εργαλείο προς το μέρος σας.**

#### **Επιπλέον προειδοποιήσεις ασφαλείας:**

1. **Το εργαλείο προορίζεται για χρήση με συνδεδεμένες λειαντικές ακίδες τροχού (πέτρες λείανσης) μόνιμα στερεωμένες σε ένα απλό συγκρατητή (στέλεχος) χωρίς σπείρωμα.**
2. **Φροντίστε ο τροχός να μην έρχεται σε επαφή με το τεμάχιο εργασίας πριν από την ενεργοποίηση του διακόπτη.**
3. **Πριν από τη χρήση του τροχού πάνω σε πραγματικό τεμάχιο εργασίας, αφήστε τον σε λειτουργία για μικρό χρονικό διάστημα. Παρατηρήστε αν υπάρχουν δονήσεις ή ταλάντευση που μπορεί να υποδεικνύουν κακή τοποθέτηση ή τροχό με κακή ζυγοστάθμιση.**
4. **Χρησιμοποιήστε την προκαθορισμένη επιφάνεια του τροχού για να εκτελέσετε τη λείανση.**
5. **Να είστε προσεκτικοί με τις εκκινασόμενες σπithes. Κρατήστε το εργαλείο με τρόπο ώστε οι σπithes να εκκινάσσονται μακριά από το σώμα σας και άλλα άτομα ή εύφλεκτα υλικά.**
6. **Μην αφήνετε το εργαλείο σε λειτουργία. Να χειρίζεστε το εργαλείο μόνον όταν το κρατάτε με τα χέρια σας.**
7. **Μην αγγίζετε το τεμάχιο εργασίας αμέσως μετά την ολοκλήρωση της εργασίας, μπορεί να είναι εξαιρετικά ζεστό και να προκαλέσει έγκαυμα στο δέρμα σας.**
8. **Να τηρείτε τις οδηγίες του κατασκευαστή, όσον αφορά την κατάλληλη τοποθέτηση και χρήση των τροχών. Φροντίστε για το χειρισμό και τη φύλαξη των τροχών με προσοχή.**
9. **Ελέγξτε αν το τεμάχιο εργασίας στηρίζεται κατάλληλα.**
10. **Αν η θερμοκρασία του χώρου εργασίας είναι εξαιρετικά υψηλή και η υγρασία αυξημένη, ή υπάρχει εκτεταμένος βαθμός ρύπανσης λόγω αγωγίμης σκόνης, απαιτείται η χρήση αυτόματου διακόπτη κυκλώματος (30 mA), ώστε να διασφαλιστεί η ασφάλεια του χειριστή σε περίπτωση βραχυκυκλώματος.**
11. **Μη χρησιμοποιείτε το εργαλείο σε οποιοδήποτε υλικό περιέχει αμίαντο.**
12. **Να φροντίζετε πάντα να στέκεστε σταθερά. Βεβαιωθείτε ότι δεν υπάρχει άτομο ακριβώς από κάτω, όταν χρησιμοποιείτε το εργαλείο σε υψηλά σημεία.**

## **ΦΥΛΑΞΤΕ ΑΥΤΕΣ ΤΙΣ ΟΔΗΓΙΕΣ.**

**⚠ ΠΡΟΕΙΔΟΠΟΙΗΣΗ:** ΜΗΝ επιτρέψετε στην άνεση ή στην εξοικείωσή σας με το προϊόν (που αποκτήθηκε από επανειλημμένη χρήση) να αντικαταστήσει την αυστηρή τήρηση των κανόνων ασφαλείας του παρόντος εργαλείου. Η ΛΑΝΘΑΣΜΕΝΗ ΧΡΗΣΗ ή η αμέλεια να ακολουθήσετε τους κανόνες ασφαλείας που διατυπώνονται στο παρόν εγχειρίδιο οδηγιών μπορεί να προκαλέσει σοβαρό προσωπικό τραυματισμό.

## ΠΕΡΙΓΡΑΦΗ ΛΕΙΤΟΥΡΓΙΑΣ

**⚠ ΠΡΟΣΟΧΗ:** Να βεβαιώνετε πάντα ότι το εργαλείο είναι σβηστό και αποσυνδεδεμένο από την ηλεκτρική παροχή πριν ρυθμίσετε ή ελέγχετε κάποια λειτουργία του.

### Δράση διακόπτη

**⚠ ΠΡΟΣΟΧΗ:** Να φροντίζετε πάντα ώστε το εργαλείο να είναι απενεργοποιημένο, πριν από τη σύνδεσή του στην παροχή ρεύματος.

Για να ξεκινήσετε το εργαλείο, θέστε το διακόπτη στην ενεργή θέση «I» (ενεργό). Για να σταματήσετε το εργαλείο, μετακινήστε το διακόπτη στην ανενεργή θέση «O» (ανενεργό).

► **Εικ.1:** 1. Διακόπτης

## ΣΥΝΑΡΜΟΛΟΓΗΣΗ

**⚠ ΠΡΟΣΟΧΗ:** Να βεβαιώνετε πάντα ότι το εργαλείο είναι σβηστό και αποσυνδεδεμένο από την ηλεκτρική παροχή πριν εκτελέσετε οποιαδήποτε εργασία σε αυτό.

### Τοποθέτηση ή αφαίρεση ακίδας τροχού

*Προαιρετικό εξάρτημα*

**⚠ ΠΡΟΣΟΧΗ:** Να χρησιμοποιείτε κωνικό κολάρο κατάλληλου μεγέθους για την ακίδα τροχού που επιθυμείτε να χρησιμοποιήσετε.

**ΕΙΔΟΠΟΙΗΣΗ:** Μη σφίγγετε το παξιμάδι κολάρου χωρίς να έχετε τοποθετήσει την ακίδα τροχού.

Διαφορετικά, μπορεί να σπάσει ο κώνος κολάρου.

Χαλαρώστε το παξιμάδι κολάρου αριστερόστροφα και βάλτε την ακίδα τροχού μέσα στο παξιμάδι κολάρου. Χρησιμοποιήστε ένα κλειδί για να κρατάτε την άτρακτο. Με ένα άλλο κλειδί, περιστρέψτε το παξιμάδι κολάρου δεξιόστροφα για να το σφίξετε καλά.

► **Εικ.2:** 1. Κλειδί 2. Παξιμάδι κολάρου 3. Άτρακτος 4. Κώνος κολάρου

**ΠΑΡΑΤΗΡΗΣΗ:** Αν δεν μπορείτε να εισαγάγετε την ακίδα τροχού στο παξιμάδι κολάρου αφού χαλαρώσετε το παξιμάδι κολάρου, ο κώνος κολάρου μπορεί να εμποδίζει την ακίδα τροχού. Σε αυτή την περίπτωση, βγάλτε το παξιμάδι κολάρου και τοποθετήστε ξανά τον κώνο κολάρου.

Η ακίδα τροχού δεν πρέπει να τοποθετείται σε απόσταση μεγαλύτερη των 10 mm από το παξιμάδι κολάρου. Η υπέρβαση αυτής της απόστασης μπορεί να προκαλέσει δονήσεις ή σπάσιμο του άξονα.

► **Εικ.3**

## ΛΕΙΤΟΥΡΓΙΑ

**⚠ ΠΡΟΣΟΧΗ:** Εφαρμόστε ελαφρά πίεση στο εργαλείο. Η υπερβολική πίεση στο εργαλείο θα προκαλέσει μόνο ανεπαρκές τελείωμα και υπερφόρτωση του μοτέρ.

**⚠ ΠΡΟΣΟΧΗ:** Η ακίδα τροχού συνεχίζει να περιστρέφεται και μετά την απενεργοποίηση του εργαλείου.

► **Εικ.4**

Ενεργοποιήστε το εργαλείο χωρίς η ακίδα τροχού να κάνει επαφή με το τεμάχιο εργασίας και περιμένετε μέχρι η ακίδα τροχού να αποκτήσει πλήρη ταχύτητα. Μετά εφαρμόστε απαλά την ακίδα τροχού στο τεμάχιο εργασίας. Για να έχετε ένα καλό τελείωμα, μετακινήστε το εργαλείο αργά προς τα αριστερά.

## ΣΥΝΤΗΡΗΣΗ

**⚠ ΠΡΟΣΟΧΗ:** Να βεβαιώνετε πάντα ότι το εργαλείο είναι σβηστό και αποσυνδεδεμένο από την ηλεκτρική παροχή πριν εκτελέσετε οποιαδήποτε εργασία επιθεώρησης ή συντήρησης σε αυτό.

**ΕΙΔΟΠΟΙΗΣΗ:** Μην χρησιμοποιείτε ποτέ βενζίνη, πετρελαϊκό αιθέρα, διαλυτικό, αλκοόλη ή παρόμοιες ουσίες. Μπορεί να προκληθεί αποχρωματισμός, παραμόρφωση ή ρωγμές.

### Λείανση ακίδας τροχού

*Προαιρετικό εξάρτημα*

Όταν η ακίδα τροχού «φορτώνεται» με διάφορα τεμαχίδια και σωματίδια, πρέπει να λειανείτε την ακίδα τροχού με την πέτρα λείανσης.

► **Εικ.5**

Για τη διατήρηση της ΑΣΦΑΛΕΙΑΣ και ΑΞΙΟΠΙΣΤΙΑΣ του προϊόντος, οι επισκευές και οποιαδήποτε άλλη εργασία συντήρησης ή ρύθμισης πρέπει να εκτελούνται από εξουσιοδοτημένα ή εργοστασιακά κέντρα εξυπηρέτησης της Makita, χρησιμοποιώντας πάντοτε ανταλλακτικά της Makita.

# ΠΡΟΑΙΡΕΤΙΚΑ ΕΞΑΡΤΗΜΑΤΑ

**⚠ ΠΡΟΣΟΧΗ:** Αυτά τα εξαρτήματα ή προσαρτήματα συνιστώνται για χρήση με το εργαλείο Makita που περιγράφηκε στις οδηγίες αυτές. Η χρήση οποιωνδήποτε άλλων εξαρτημάτων ή προσαρτημάτων μπορεί να προκαλέσει κίνδυνο τραυματισμού σε άτομα. Να χρησιμοποιείτε τα εξαρτήματα ή προσαρτήματα μόνο για την χρήση που προορίζονται.

Εάν χρειάζεστε οποιαδήποτε βοήθεια για περισσότερες πληροφορίες σε σχέση με αυτά τα εξαρτήματα, αποταθείτε στο τοπικό σας κέντρο εξυπηρέτησης Makita.

- Ακίδες τροχού
- Σετ κώνου κολάρου (3 mm, 6 mm, 1/4", 1/8")
- Κλειδί 10
- Πέτρα λείανσης

**ΠΑΡΑΤΗΡΗΣΗ:** Μερικά στοιχεία στη λίστα μπορεί να συμπεριλαμβάνονται στη συσκευασία εργαλείου ως στάνταρ εξαρτήματα. Μπορεί να διαφέρουν ανάλογα με τη χώρα.



## TEKNİK ÖZELLİKLER

Model:	GD0603	
Halka somunu boyutu (ülkeye özgü)	6 mm veya 1/4"	
Maks. çark ucu boyutu	Maks. çark çapı	19 mm
	Maks. mandrel (şank) uzunluğu	38 mm
Normal hız (n)/Yüksüz hız (n <sub>0</sub> )	28.000 min <sup>-1</sup>	
Toplam uzunluk	289 mm	
Net ağırlık	0,97 kg	
Emniyet sınıfı	□/II	

- Sürekli yapılan araştırma ve geliştirmelerden dolayı, burada belirtilen özellikler önceden bildirilmeksizin değiştirilebilir.
- Özellikler ülkeden ülkeye değişebilir.
- EPTA\_Prosedürü 01/2003 uyarınca ağırlık

### Kullanım amacı

Bu alet demir malzemelerin taşlanması veya döküm çapaklarının alınması için tasarlanmıştır.

### Güç kaynağı

Aletin, yalnızca isim levhasında belirtilenle aynı voltajlı güç kaynağına bağlanması gerekir ve yalnızca tek fazlı AC güç kaynağıyla çalıştırılabilir. Çifte yalıtımlıdır ve topraklamasız prizlerle de kullanılabilir.

### Gürültü

Tipik A-ağırlıklı gürültü düzeyi (EN60745 standardına göre belirlenen):

Ses basınç seviyesi (L<sub>PA</sub>): 76 dB (A)

Belirsizlik (K): 3 dB (A)

İşlem sırasında gürültü seviyesi 80 dB (A)'yi geçebilir.

**UYARI:** Kulak koruyucuları takın.

### Titreşim

Titreşim toplam değeri (üç eksenli vektör toplamı) (EN60745 standardına göre hesaplanan):

Çalışma modu: yüzey taşlama

Titreşim emisyonu (a<sub>w</sub>): 2,5 m/s<sup>2</sup> den az

Belirsizlik (K) : 1,5 m/s<sup>2</sup>

**NOT:** Beyan edilen titreşim emisyon değeri standart test yöntemine uygun şekilde ölçülmüştür ve bir aleti bir başkasıyla karşılaştırmak için kullanılabilir.

**NOT:** Beyan edilen titreşim emisyon değeri bir ön maruz kalma değerlendirmesi olarak da kullanılabilir.

### EC Uygunluk Beyanı

#### Sadece Avrupa ülkeleri için

Biz Makita Corporation beyan ederiz ki aşağıdaki makine(ler):

Makine Adı: Kalıpcı taşlama makinası

Model No./ Tipi: GD0603

aşağıdaki Avrupa Direktiflerine uygundur: 2006/42/EC

Aşağıdaki standartlara veya standartlaştırılmış belgelere uygun olarak imal edilmişlerdir: EN60745 2006/42/EC uyumluluğuna ilişkin teknik dosyaya şuradan ulaşılabilir:

Makita, Jan-Baptist Vinkstraat 2, 3070, Belçika  
25.2.2015

*Yasushi Fukaya*

Yasushi Fukaya

Müdür

Makita, Jan-Baptist Vinkstraat 2, 3070, Belçika

### Genel elektrikli alet güvenliği uyarıları

**UYARI:** Tüm güvenlik uyarılarını ve tüm talimatları okuyun. Uyarılara ve talimatlara uyulmaması elektrik şoku, yangın ve/veya ciddi yaralanmalar ile sonuçlanabilir.

### Tüm uyarıları ve talimatları iletiride başvurmak için saklayın.

Uyarılardaki "elektrikli alet" terimi ile ya prizden çalışan (kordonlu) elektrikli aletiniz ya da kendi aküsü ile çalışan (kordonsuz) elektrikli aletiniz kastedilmektedir.

### Kalıpcı taşlama makinası güvenlik uyarıları

Taşlama işlemleri için genel güvenlik uyarıları:

1. Bu elektrikli el aleti bir taşlama makinesi olarak görev yapmak üzere tasarlanmıştır. Bu elektrikli aletle birlikte verilen tüm güvenlik uyarılarını, talimatları, resimli açıklamaları ve teknik özellikleri okuyun. Aşağıda listelenen talimatların herhangi birine uyulmaması elektrik şoku, yangın ve/veya ciddi yaralanmalar ile sonuçlanabilir.

2. **Bu elektrikli aletle zımparalama, telle fırçalama, parlatma veya kesme gibi işlemlerin yapılması tavsiye edilmez.** Bu elektrikli aletin tasarımı amacına uygun olmayan işlemler tehlike oluşturabilir ve yaralanmaya neden olabilir.
  3. **Aletin imalatçısı tarafından özel olarak tasarlanmamış ve tavsiye edilmeyen aksesuarları kullanmayın.** Bir aksesuarın yalnızca elektrikli aletinize takılabiliyor olması, onun güvenli çalışacağını garanti etmez.
  4. **Aksesuarın anma hızı en azından elektrikli aletin üstünde belirtilen maksimum hıza eşit olmalıdır.** Anma hızlarından daha hızlı çalışan aksesuarlar kırılabilir ve fırlayabilirler.
  5. **Aksesuarınızın dış çapı ve kalınlığı elektrikli aletinizin kapasite derecelendirmesi dahilinde olmalıdır.** Doğru boyutta olmayan aksesuarlar yeterince korunamayabilir ve kontrol edilemeyebilirler.
  6. **Aksesuarların mil boyutu elektrikli aletin halkasına uygun olmalıdır.** Aletin montaj donanımına uygun olmayan aksesuarlar dengesiz çalışır, aşırı vibrasyon yapar ve kontrolden çıkabilir.
  7. **Mandrel ile takılan aletler halka veya mandrenin içine tam olarak yerleştirilmelidir.** Mandrel yeterli kadar sıkı tutulmuyorsa ve/veya çark çıkıntısı çok uzunsa, takılan aksesuar gevşeyebilir ve yüksek hızda yerinden çıkabilir.
  8. **Hasarlı bir aksesuarı kullanmayın.** Her kullanımdan önce taşlama taşları gibi aksesuarlarda kırık veya çatlak olmadığını kontrol edin. Eğer elektrikli alet veya aksesuar düşürülürse, hasar muayenesi yapın veya hasarsız aksesuar takın. Bir aksesuarı muayene ettikten ve taktıktan sonra, kendinizi ve civardaki insanları döner aksesuarın düzleminden uzak tutun ve elektrikli aleti bir dakika kadar maksimum yüksüz hızda çalıştırın. Bu test çalıştırması sırasında normal olarak hasarlı aksesuarlar koparlar.
  9. **Kişisel koruyucu donanım kullanın.** Uygulamaya bağlı olarak yüz siperleri veya güvenlik gözlükleri kullanın. Uygun görüldüğü şekilde taşlama taşlarından veya iş parçasından kopan küçük parçalardan sizi koruyabilecek toz maskesi, kulak koruyucuları, eldiven ve iş önlüğü takın. Göz koruyucuları çeşitli işlemlerin üreteceği uçan kırıntıları durdurabilecek nitelikte olmalıdır. Toz maskesi veya solunum cihazı yaptığınız işlemin üreteceği küçük parçacıkları süzebilecek nitelikte olmalıdır. Uzun süre yüksek yoğunlukta gürültüye maruz kalmak işitme kaybına neden olabilir.
  10. **Civarda bulunanları çalışma alanından güvenli bir uzaklıkta tutun.** Çalışma alanına giren herkes kişisel koruyucu donanım kullanmalıdır. Kırılan bir aksesuarın veya iş parçasının kırıntıları uzağa fırlayıp, çalışma yerinin ötesinde yaralanmalara neden olabilir.
  11. **Kesci aksesuarın görünmeyen kabloları ya da aletin kendi kordonuna temas etme olasılığı bulunan yerlerde çalışırken elektrikli aleti sadece yalıtımlı kavrama yüzeyinden tutun.** Kesci aksesuarın "akımlı" bir telle temas etmesi elektrikli aletin yalıtımsız metal kısımlarını "akımlı" hale getirebilir ve kullanıcıyı elektrik şokuna maruz bırakabilir.
  12. **Başlatma sırasında, aleti daima el(ler)inizle sıkıca tutun.** Motorun tepki torku, tam hıza ulaşmasıyla, aletin dönmeye neden olabilir.
  13. **Elverişli durumlarda iş parçasını desteklemek için klemp kullanın.** Kullanım sırasında, asla küçük bir iş parçasını bir elinizle, aleti de diğer elinizle tutmayın. Küçük bir iş parçasını klemple sıkıştırmak, aleti kontrol edebilmek için el(ler)inizi kullanabilmenizi sağlar. Sabitleme pimi, boru ya da tüp gibi bombeli malzemeler kesilirken yuvarlanabilir ve kesim ucunun takılıp kalmasına veya size doğru sıçramasına neden olabilir.
  14. **Kordonu döner aksesuardan uzakta tutun.** Eğer kontrolü kaybederseniz, kordon kesilebilir veya takılabilir ve eliniz ya da kolunuz döner aksesuara çekilebilir.
  15. **Aksesuar tamamen durmadan önce elektrikli aleti kesinlikle yere koymayın.** Döner aksesuar yere sürünüp, elektrikli aletin kontrolünüz dışında fırlamasına neden olabilir.
  16. **Uçları değiştirdikten ya da herhangi bir ayarlama yaptıktan sonra, halka somunu, mandren ya da diğer tüm ayar parçalarının sağlam bir şekilde sıkıştırılmış olduğundan emin olun.** Gevşek ayar parçaları, beklenmedik bir şekilde kayarak kontrol kaybına neden olabilir ve gevşek dönen parçalar şiddetle savrulabilir.
  17. **Elektrikli aleti yanınızda taşırken çalıştırmayın.** Giysilerinizin kazayla döner aksesuara temas etmesi aksesuarı vücudunuza çekebilir.
  18. **Elektrikli aletin havalandırma deliklerini düzenli olarak temizleyin.** Motorun fanı tozu gövdenin içine çeker ve aşırı toz metal birikimi elektrik tehlikelerine neden olabilir.
  19. **Elektrikli aleti tutuşabilen malzemelerin yakınında kullanmayın.** Kivılcımlar bu malzemeleri tutuşturabilir.
  20. **Sıvı soğutucu gerektiren aksesuarlar kullanmayın.** Sıvı veya diğer sıvı soğutucuların kullanılması elektrik çarpmasına veya şokuna neden olabilir.
- Geri tepme ve ilgili uyarılar**
- Geri tepme, döner aksesuarın sıkışması veya takılması sonucu oluşan ani bir reaksiyondur. Sıkışma veya takılma, döner aksesuarın aniden durmasına, bu da elektrikli aletin gücünün kontrol edilemeyerek aksesuarın dönüş yönünün aksi istikamete zorlanmasına sebep olur. Örneğin, eğer bir taşlama taşı iş parçasına takılır veya sıkışır, sıkışma noktasına giren taşın kenarı malzeme yüzeyine batarak, taşın dışarı tırmanmasına veya tepmesine neden olabilir. Taşlama taşı, sıkışma noktasında taşın hareket yönüne bağlı olarak operatöre veya ondan uzağa doğru sıçrayabilir. Bu koşullarda taşlama taşları kırılabilir de.
- Geri tepme elektrikli aletin yanlış kullanımının ve/veya yanlış kullanım usulleri veya koşullarının bir sonucudur ve aşağıda belirtildiği gibi doğru önlemlerle önlenbilir.
1. **Elektrikli aleti daima sıkıca kavrayın ve vücudunuzun ve kolunuzun duruşunu geri tepme kuvvetlerine direnç gösterecek şekilde ayarlayın.** Doğru önlemler alınır, operatör geri tepme gücünü kontrol edebilir.
  2. **Köşeler, keskin kenarlar vb. üzerinde çalışırken çok dikkatli olun.** Aksesuarın sallanmasını veya takılmasını önleyin. Köşelerde, keskin

kenarlarda veya zıplama halinde, döner aksesuarın takılma eğilimi vardır ve kontrol kaybına ve geri tepmeye neden olur.

3. **Testere dışı bıçak takmayın.** Bu tip bıçaklar sık sık geri tepmeye ya da kontrol kaybına yol açar.
4. **Ucu daima kesim kenarının malzemeden çıktığı yönde (aynı zamanda küçük parçacıkların fırladığı yönde) besleyin.** Aleti yanlış yönde beslemek, ucun kesim kenarının iş parçasının dışına çıkmasına ve aleti bu besleme yönüne çekmesine neden olur.

#### Taşlama işleminde özgü güvenlik uyarıları:

1. **Sadece aletinizi için önerilen çark tiplerini kullanın ve yalnızca önerilen uygulamalar için kullanın.**
2. **Elinizi asla dönen çarkla aynı hizada ya da çarkın arkasında tutmayın.** Kullanım sırasında, çark elinizden uzaklaşırken, olası bir geri tepme dönen çarkın ve aletin tam üzerinize doğru itilmesine neden olabilir.

#### Ek Güvenlik Uyarıları:

1. **Bu alet, düz mandrele (şanka) kalıcı olarak takılmış bağlı zımpara çark ucuyla (taşlama çarkıyla) kullanılmak için tasarlanmıştır.**
2. **Alet çalıştırılmadan önce çarkın iş parçasına değmediğinden emin olun.**
3. **Aleti gerçek bir iş parçası üzerinde kullanmadan önce bir süre boşa çalıştırın. Taşın yanlış takılması veya dengesiz olduğunu gösteren titreme ya da yalpalamalara dikkat edin.**
4. **Taşlama yaparken diskin belirlenmiş yüzeyini kullanın.**
5. **Çıkan kıvılcımlara dikkat edin. Aleti çıkan kıvılcıkların size, başkalarına veya kolay tutuşan malzemelere gelmeyeceği şekilde tutun.**
6. **Aleti çalışır durumda bırakmayın. Aleti sadece elinizde tutarken çalıştırın.**
7. **Çalışmadan hemen sonra iş parçasına dokunmayın; Çok sıcak olabilir ve cildinizi yakabilir.**
8. **Çarkların doğru monte edilmesi ve kullanılması için imalatçının talimatlarına uyun. Çarkları özenle aktarın ve saklayın.**
9. **İş parçasının doğru desteklenip desteklenmediğini kontrol edin.**
10. **Çalışma yeri aşırı sıcak ve nemliyse ya da çok fazla iletken toz kirliliği mevcutsa kullanıcının güvenliği için bir kısa devre kesicisi (30 mA) kullanın.**
11. **Bu aleti asbest içeren hiçbir malzeme üstünde kullanmayın.**
12. **Her zaman yere sağlam basın. Aleti yüksekte kullanırken, aşağıda kimsenin olmadığından emin olun.**

## BU TALİMATLARI MUHAFAZA EDİNİZ.

**⚠UYARI:** Ürünü kullanırken (defalarca kullanınca kazanılan) rahatlık ve tanıdıklık duygusunun ilgili ürünün güvenlik kurallarına sıkı sıkıya bağlı kalmanızı yerine geçmesine İZİN VERMEYİN. YANLIŞ KULLANIM veya bu kullanma kılavuzunda belirtilen emniyet kurallarına uymama ciddi yaralanmaya neden olabilir.

## İŞLEVSEL NİTELİKLER

**⚠DİKKAT:** Alet üzerinde ayarlama ya da işleşiş kontrolü yapmadan önce aletin kapalı ve fişinin çekili olduğundan daima emin olun.

### Anahtar işlemi

**⚠DİKKAT:** Aleti fişe takmadan önce, aletin kapalı olduğundan emin olmak için mutlaka kontrol edin.

Aleti başlatmak için anahtar kolunu "I" (açık) konumuna getirin. Durdurmak için, düğmeyi "O" (kapalı) konumuna getirin.

► **Şek.1:** 1. Açma-kapama düğmesi

## MONTAJ

**⚠DİKKAT:** Alet üzerinde herhangi bir iş yapmadan önce aletin kapalı ve fişinin çekili olduğundan daima emin olun.

### Çark ucunun takılıp çıkarılması

#### İsteğe bağlı aksesuar

**⚠DİKKAT:** Kullanmayı düşündüğünüz çark ucu için doğru halka konisini kullanın.

**ÖNEMLİ NOT:** Bir çark ucu takmadan halka somununu sıkılamayın. Aksi takdirde halka kovani kırılabilir.

Halka somununu saatin aksi yönünde döndürerek gevşetin ve çark ucunu halka somununun içine takın. Bir İngiliz anahtarını mili tutmak için kullanın. Diğer İngiliz anahtarını kullanarak, halka somununu iyice sıkılamak için saat yönünde döndürün.

► **Şek.2:** 1. İngiliz anahtarı 2. Halka somunu 3. Mil 4. Halka kovani

**NOT:** Halka somununu gevşettikten sonra, çark ucunu halka somununun içine takamıyorsanız, halka kovani çark ucunu engelliyor olabilir. Bu durumda, halka somunu çıkarın ve halka kovaniyi yeniden yerleştirin.

Çark ucunun, halka somunu ile arasındaki boşluk en çok 10 mm olacak biçimde monte edilmelidir. Bu uzaklığın aşılması titreşime veya şaftın bozulmasına neden olabilir.

► **Şek.3**

## KULLANIM

**⚠DİKKAT:** Alete hafif basınç uygulayın. Alete aşırı basınç verilmesi, yalnızca kötü bir yüzey oluşmasına ve motorun aşırı yüklenmesine neden olacaktır.

**⚠DİKKAT:** Çark ucu, alet kapatıldıktan sonra bir süre dönmeye devam eder.

#### ► Şek.4

Aleti çark ucu malzemeye temas etmeden çalıştırıp çark ucu tam hıza ulaşmasını bekleyin. Sonra çark ucunu iş parçasına nazikçe uygulayın. İyi bir yüzey elde etmek için, aleti yavaşça sola doğru hareket ettirin.

## BAKIM

**⚠ DİKKAT:** Muayene ya da bakım yapmadan önce aletin kapalı ve fişinin çekili olduğundan daima emin olun.

**ÖNEMLİ NOT:** Benzin, tiner, alkol ve benzeri maddeleri kesinlikle kullanmayın. Renk değişimi, deformasyon veya çatlaklar oluşabilir.

### Çark ucunun temizlenmesi

#### *İsteğe bağlı aksesuar*

Çark ucu, çeşitli parçacıklar ve maddelerle "dolu" hale geldiğinde, çark ucu temizleme taşı ile temizlemeniz gerekir.

#### ► Şek.5

Aleti EMNİYETLİ ve ÇALIŞMAYA HAZIR durumda tutmak için onarımlar, başka her türlü bakım ve ayarlamalar daima Makita yedek parçaları kullanılarak Makita yetkili servis merkezleri veya Fabrikanın Servis Merkezleri tarafından yapılmalıdır.

## İSTEĞE BAĞLI AKSESUARLAR

**⚠ DİKKAT:** Bu aksesuarlar ve ek parçalar bu el kitabında belirtilen Makita aletiniz ile kullanılmak için tavsiye edilmektedir. Herhangi başka bir aksesuar ya da ek parça kullanılması insanlar için bir yaralanma riski getirebilir. Aksesuarları ya da ek parçaları yalnızca belirtilmiş olan kullanım amaçlarına uygun olarak kullanın.

Bu aksesuarlarla ilgili daha fazla bilgiye ihtiyaç duyarsanız bulunduğunuz yerdeki yetkili Makita servisine başvurun.

- Çark uçları
- Halka kovanı takımı (3 mm, 6 mm, 1/4", 1/8")
- İngiliz anahtarı 10 inç
- Temizleme taşı

**NOT:** Listedeki parçaların bazıları alet paketi içerisinde standart aksesuar olarak dahil edilmiş olabilir. Bunlar ülkeden ülkeye farklılık gösterebilir.

Makita Jan-Baptist Vinkstraat 2, 3070, Belgium  
Makita Corporation Anjo, Aichi, Japan

www.makita.com

885437A997  
EN, FR, DE, IT,  
NL, ES, PT, DA,  
EL, TR  
20151027