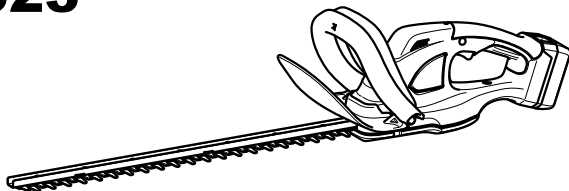




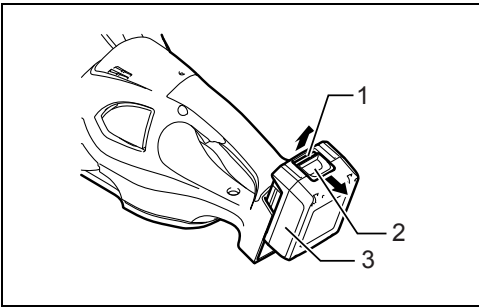
|           |   |                                |
|-----------|---|--------------------------------|
| <b>GB</b> | <b>Cordless Hedge Trimmer</b>           | <b>Instruction manual</b>      |
| <b>F</b>  | <b>Taille-haie sans fil</b>             | <b>Manuel d'instructions</b>   |
| <b>D</b>  | <b>Akku-Heckenschere</b>                | <b>Betriebsanleitung</b>       |
| <b>I</b>  | <b>Tagliasiepi a batteria</b>           | <b>Istruzioni per l'uso</b>    |
| <b>NL</b> | <b>Accuheggenschaar</b>                 | <b>Gebruiksaanwijzing</b>      |
| <b>E</b>  | <b>Cortasetos Inalámbrico</b>           | <b>Manual de instrucciones</b> |
| <b>P</b>  | <b>Aparador De Cerca Viva a Bateria</b> | <b>Manual de instruções</b>    |
| <b>DK</b> | <b>Batteridrevet hækkeklipper</b>       | <b>Brugsanvisning</b>          |
| <b>GR</b> | <b>Ψαλίδι Μπορντούρας Μπαταρίας</b>     | <b>Οδηγίες χρήσης</b>          |
| <b>TR</b> | <b>Akülü Çit Budama</b>                 | <b>Kullanım kılavuzu</b>       |

**DUH481**  
**DUH483**  
**DUH521**  
**DUH523**



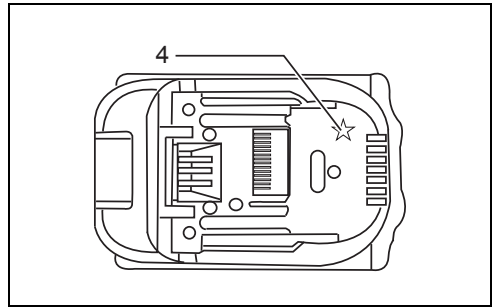
012444





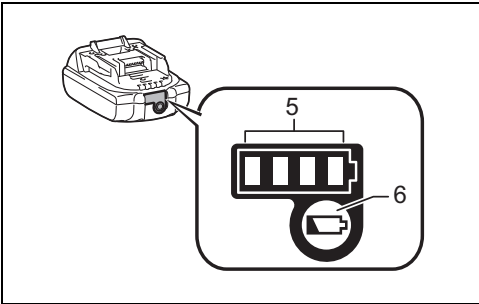
1

012445



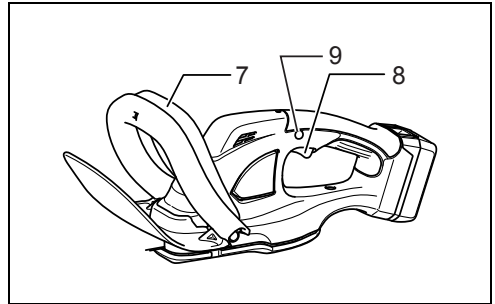
2

012128



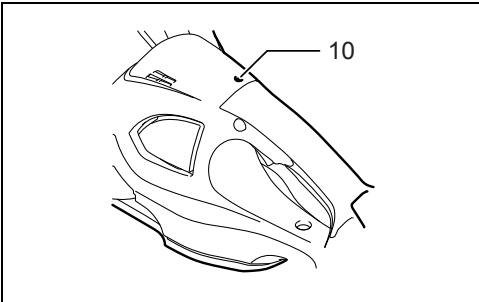
3

015659



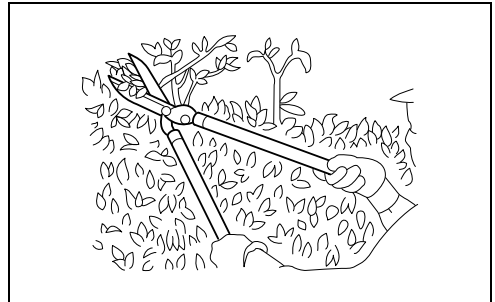
4

012491



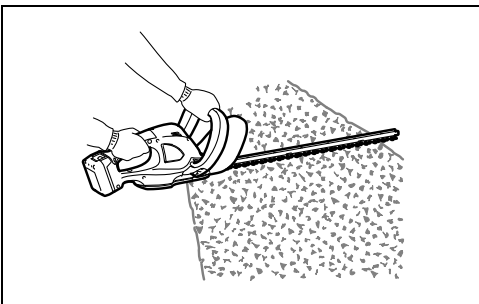
5

012480



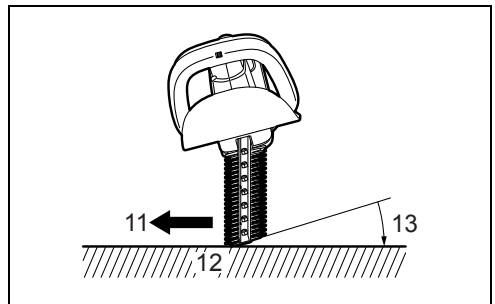
6

007559



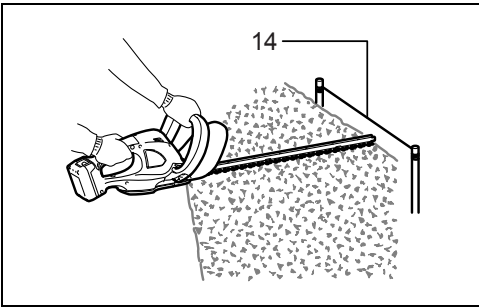
7

012484



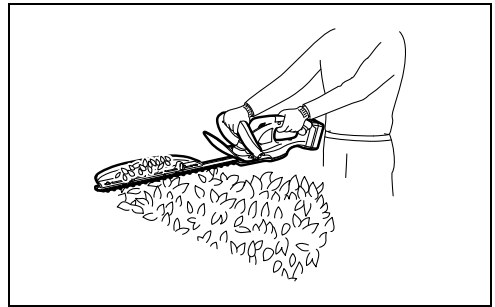
8

012485



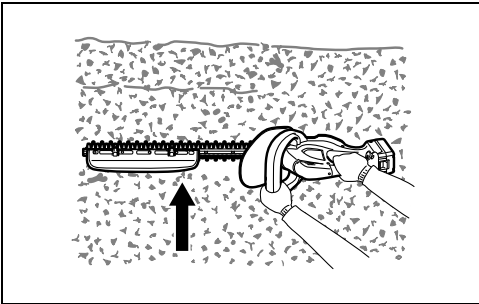
9

012486



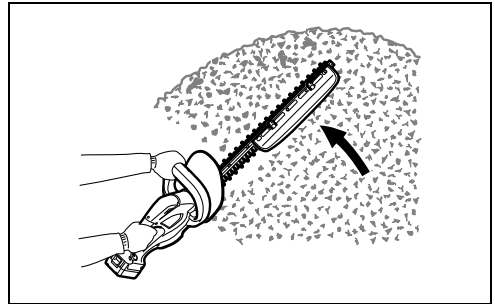
10

012487



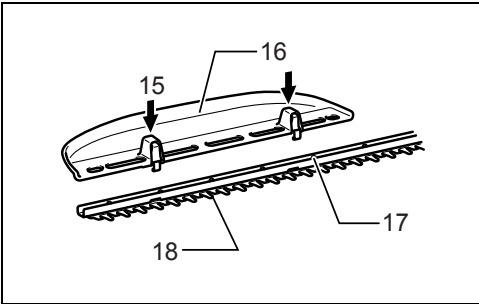
11

012488



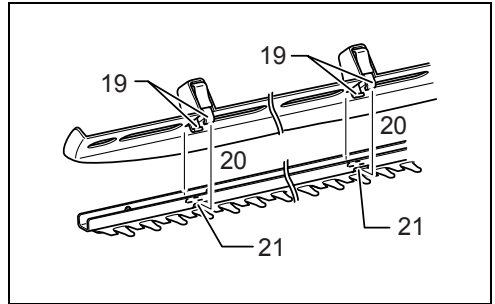
12

012489



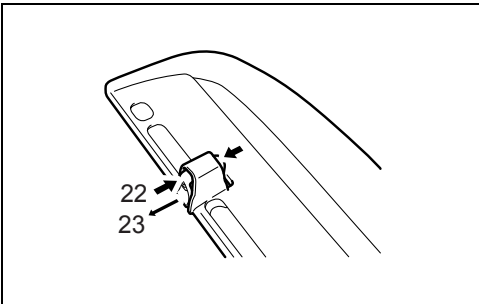
13

012493



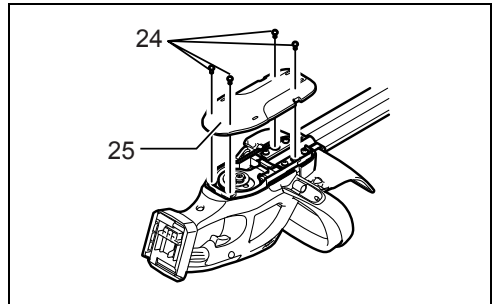
14

012494



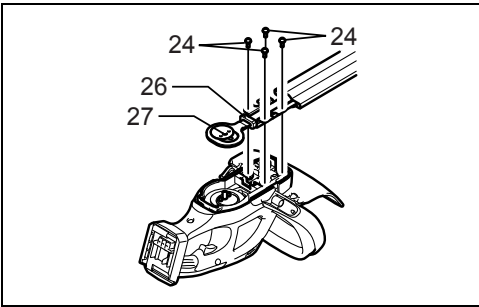
15

009293



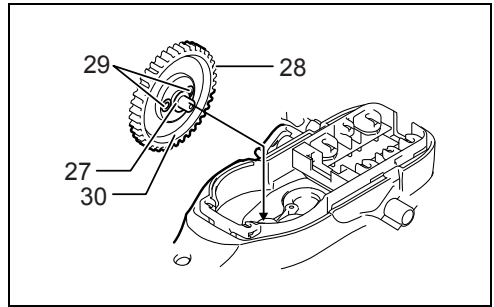
16

012447



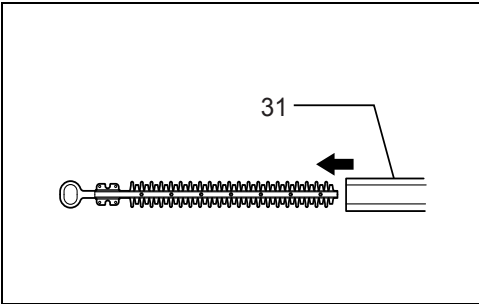
17

012451



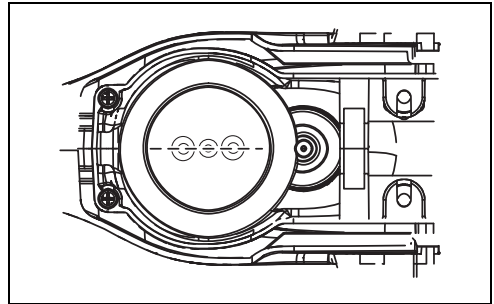
18

012481



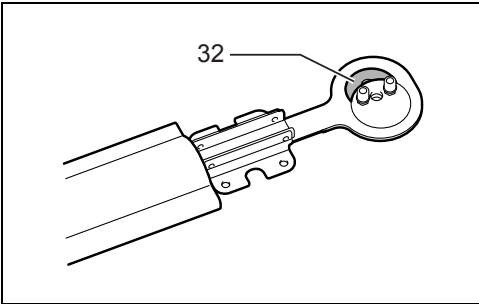
19

012450



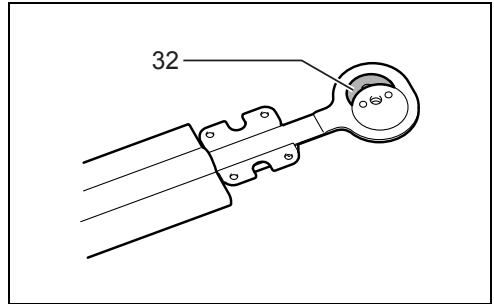
20

012490



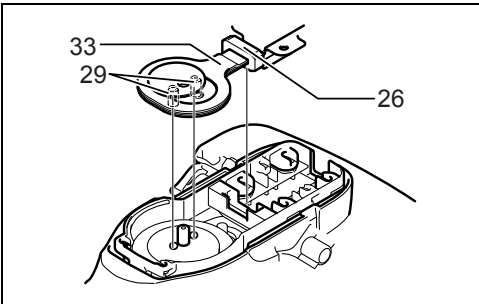
21

012454



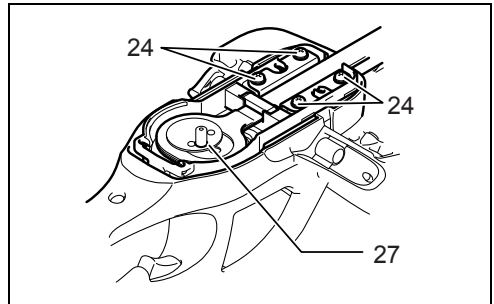
22

012455



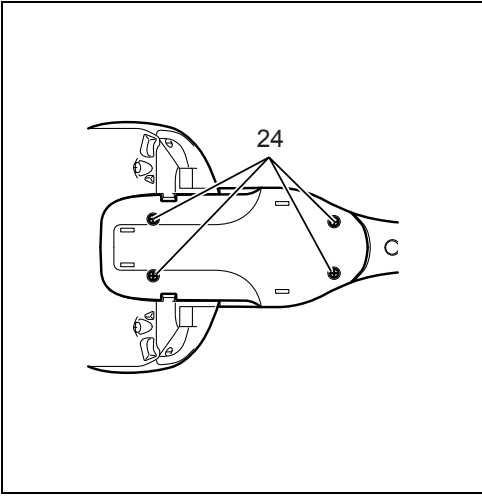
23

012482



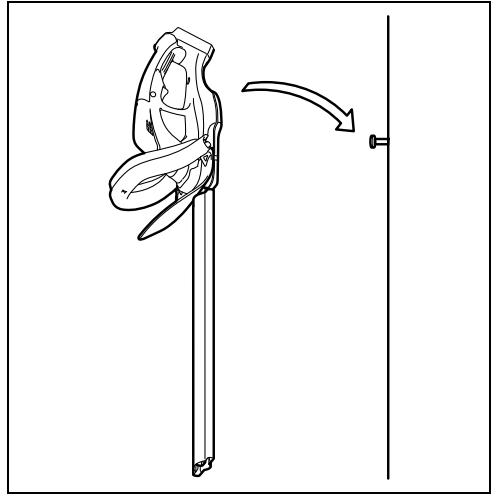
24

012452



**25**

012446



**26**

012453

## ENGLISH (Original instructions)

### Explanation of general view

- |                        |                                    |                      |
|------------------------|------------------------------------|----------------------|
| 1. Red indicator       | 12. Hedge surface to be trimmed    | 23. Unlock the hooks |
| 2. Button              | 13. Tilt the blades                | 24. Screws           |
| 3. Battery cartridge   | 14. String                         | 25. Under cover      |
| 4. Star marking        | 15. Press                          | 26. Sponge           |
| 5. Indicator lamps     | 16. Chip receiver                  | 27. Washer           |
| 6. Check button        | 17. Nut                            | 28. Gear             |
| 7. Switch trigger A    | 18. Shear blade                    | 29. Sleeves          |
| 8. Switch trigger B    | 19. Hooks                          | 30. Groove           |
| 9. Lock-off button     | 20. Fit the hooks into groove      | 31. Blade cover      |
| 10. Indication lamp    | 21. Grooves                        | 32. Grease           |
| 11. Trimming direction | 22. Press the levers on both sides | 33. Blade            |

## SPECIFICATIONS

| Model                                   | DUH481             |                              | DUH483                                    |  | DUH521             |                              | DUH523                                    |  |
|---|--------------------|------------------------------|---|--|--------------------|------------------------------|---|--|
| Blade length                            | 480 mm             |                              |   |  | 520 mm             |                              |   |  |
| Strokes per minute (min <sup>-1</sup> ) | 1,350              |                              |   |  |                    |                              |   |  |
| Rated voltage                           | D.C.14.4 V         |                              | D.C.18 V                                  |  | D.C.14.4 V         |                              | D.C.18 V                                  |  |
| Overall length                          | 869 mm             | 881 mm                       | 873 mm                                    | 888 mm   | 919 mm             | 931 mm                       | 923 mm                                    | 938 mm   |
| Net weight                              | 2.9 kg             | 3.1 kg                       | 3.0 kg                                    | 3.2 kg   | 3.0 kg             | 3.2 kg                       | 3.0 kg                                    | 3.3 kg   |
| Battery cartridge                       | BL1415/<br>BL1415N | BL1430/<br>BL1440/<br>BL1450 | BL1815/<br>BL1815N/<br>BL1820/<br>BL1820B | BL1830/<br>BL1840/<br>BL1840B/<br>BL1850/<br>BL1850B | BL1415/<br>BL1415N | BL1430/<br>BL1440/<br>BL1450 | BL1815/<br>BL1815N/<br>BL1820/<br>BL1820B | BL1830/<br>BL1840/<br>BL1840B/<br>BL1850/<br>BL1850B |
| Battery charger                         | DC18RC, DC18SD     |                              |   |  |                    |                              |   |  |

- Due to our continuing program of research and development, the specifications herein are subject to change without notice.
- Specifications and battery cartridge may differ from country to country.
- Weight, with battery cartridge, according to EPTA-Procedure 01/2003

### Symbol

END013-4

The following show the symbols used for the equipment. Be sure that you understand their meaning before use.



..... Read instruction manual.



..... Do not expose to rain.



..... Only for EU countries

Do not dispose of electric equipment or battery pack together with household waste material!

In observance of the European Directives, on Waste Electric and Electronic Equipment and Batteries and Accumulators and Waste Batteries and Accumulators and their implementation in accordance with national laws, electric equipment and batteries and battery pack(s) that have reached the end of their life must be collected separately and returned to an environmentally compatible recycling facility.

### Intended use

ENE014-1

The tool is intended for trimming hedges.

## General Power Tool Safety Warnings

GEA010-1

**⚠ WARNING** Read all safety warnings and all instructions. Failure to follow the warnings and instructions may result in electric shock, fire and/or serious injury.

**Save all warnings and instructions for future reference.**

## CORDLESS HEDGE TRIMMER SAFETY WARNINGS

GEB062-5

1. **Keep all parts of the body away from the cutter blade. Do not remove cut material or hold material to be cut when blades are moving. Make sure the switch is off when clearing jammed material.** A moment of inattention while operating the hedge trimmer may result in serious personal injury.
2. **Carry the hedge trimmer by the handle with the cutter blade stopped. When transporting or**

**storing the hedge trimmer always fit the cutting device cover.** Proper handling of the hedge trimmer will reduce possible personal injury from the cutter blades.

3. **Hold the power tool by insulated gripping surfaces only, because the cutter blade may contact hidden wiring.** Cutter blades contacting a "live" wire may make exposed metal parts of the power tool "live" and could give the operator an electric shock.
4. Do not use the hedge trimmer in the rain or in wet or very damp conditions. The electric motor is not waterproof.
5. First-time users should have an experienced hedge trimmer user show them how to use the trimmer.
6. The hedge trimmer must not be used by children or young persons under 18 years of age. Young persons over 16 years of age may be exempted from this restriction if they are undergoing training under the supervision of an expert.
7. Use the hedge trimmer only if you are in good physical condition. If you are tired, your attention will be reduced. Be especially careful at the end of a working day. Perform all work calmly and carefully. The user is responsible for all damages to third parties.
8. Never use the trimmer when under the influence of alcohol, drugs or medication.
9. Work gloves of stout leather are part of the basic equipment of the hedge trimmer and must always be worn when working with it. Also wear sturdy shoes with anti-skid soles.
10. Before starting work check to make sure that the trimmer is in good and safe working order. Ensure guards are fitted properly. The hedge trimmer must not be used unless fully assembled.
11. Make sure you have a secure footing before starting operation.
12. Hold the tool firmly when using the tool.
13. Do not operate the tool at no-load unnecessarily.
14. Immediately switch off the motor and remove the battery cartridge if the cutter should come into contact with a fence or other hard object. Check the cutter for damage, and if damaged repair immediately.
15. Before checking the cutter, taking care of faults, or removing material caught in the cutter, always switch off the trimmer and remove the battery cartridge.
16. Switch off the trimmer and remove the battery cartridge before doing any maintenance work.
17. When moving the hedge trimmer to another location, including during work, always remove the battery cartridge and put the blade cover on the cutter blades. Never carry or transport the trimmer with the cutter running. Never grasp the cutter with your hands.
18. Clean the hedge trimmer and especially the cutter after use, and before putting the trimmer into storage for extended periods. Lightly oil the cutter and put on the cover. The cover supplied with the unit can be hung on the wall, providing a safe and practical way to store the hedge trimmer.
19. Store the hedge trimmer with the cover on, in a dry room. Keep it out of reach of children. Never store the trimmer outdoors.

## SAVE THESE INSTRUCTIONS.



### WARNING:

**DO NOT** let comfort or familiarity with product (gained from repeated use) replace strict adherence to safety rules for the subject product. **MISUSE** or failure to follow the safety rules stated in this instruction manual may cause serious personal injury.

## IMPORTANT SAFETY INSTRUCTIONS

ENC007-9

## FOR BATTERY CARTRIDGE

1. **Before using battery cartridge, read all instructions and cautionary markings on (1) battery charger, (2) battery, and (3) product using battery.**
2. **Do not disassemble battery cartridge.**
3. **If operating time has become excessively shorter, stop operating immediately. It may result in a risk of overheating, possible burns and even an explosion.**
4. **If electrolyte gets into your eyes, rinse them out with clear water and seek medical attention right away. It may result in loss of your eyesight.**
5. **Do not short the battery cartridge:**
  - (1) **Do not touch the terminals with any conductive material.**
  - (2) **Avoid storing battery cartridge in a container with other metal objects such as nails, coins, etc.**
  - (3) **Do not expose battery cartridge to water or rain.**

**A battery short can cause a large current flow, overheating, possible burns and even a breakdown.**

6. **Do not store the tool and battery cartridge in locations where the temperature may reach or exceed 50°C (122°F).**
7. **Do not incinerate the battery cartridge even if it is severely damaged or is completely worn out. The battery cartridge can explode in a fire.**
8. **Be careful not to drop or strike battery.**
9. **Do not use a damaged battery.**
10. **Follow your local regulations relating to disposal of battery.**

## SAVE THESE INSTRUCTIONS.

### Tips for maintaining maximum battery life

1. **Charge the battery cartridge before completely discharged.**

**Always stop tool operation and charge the battery cartridge when you notice less tool power.**
2. **Never recharge a fully charged battery cartridge. Overcharging shortens the battery service life.**
3. **Charge the battery cartridge with room temperature at 10°C - 40°C (50°F - 104°F). Let a hot battery cartridge cool down before charging it.**
4. **Charge the battery cartridge if you do not use it for a long period (more than six months).**

# FUNCTIONAL DESCRIPTION

## ⚠ CAUTION:

- Always be sure that the tool is switched off and the battery cartridge is removed before adjusting or checking function on the tool.

## Installing or removing battery cartridge (Fig. 1)

### ⚠ CAUTION:

- Always switch off the tool before installing or removing of the battery cartridge.
- Hold the tool and the battery cartridge firmly when installing or removing battery cartridge.** Failure to hold the tool and the battery cartridge firmly may cause them to slip off your hands and result in damage to the tool and battery cartridge and a personal injury.

To remove the battery cartridge, slide it from the tool while sliding the button on the front of the cartridge.

To install the battery cartridge, align the tongue on the battery cartridge with the groove in the housing and slip it into place. Insert it all the way until it locks in place with a little click. If you can see the red indicator on the upper side of the button, it is not locked completely.

### ⚠ CAUTION:

- Always install the battery cartridge fully until the red indicator cannot be seen. If not, it may accidentally fall out of the tool, causing injury to you or someone around you.
- Do not install the battery cartridge forcibly. If the cartridge does not slide in easily, it is not being inserted correctly.

## Battery protection system (Lithium-ion battery with star marking) (Fig. 2)

Lithium-ion batteries with a star marking are equipped with a protection system. This system automatically cuts off power to the tool to extend battery life.

The tool will automatically stop during operation if the tool and/or battery are placed under one of the following conditions:

- Overloaded:**
  - The tool is operated in a manner that causes it to draw an abnormally high current.
  - In this situation, release the switch trigger on the tool and stop the application that caused the tool to become overloaded. Then pull the switch trigger again to restart.
  - If the tool does not start, the battery is overheated. In this situation, let the battery cool before pulling the switch trigger again.
- Low battery voltage:**
  - The remaining battery capacity is too low and the tool will not operate. In this situation, remove and recharge the battery.

## Indicating the remaining battery capacity

(Only for battery cartridges with "B" at the end of the model number.) (Fig. 3)

Press the check button on the battery cartridge to indicate the remaining battery capacity. The indicator lamps light up for few seconds.

| Indicator lamps |     |          | Remaining capacity                  |
|-----------------|-----|----------|-------------------------------------|
| Lighted         | Off | Blinking |                                     |
| ■               | □   | ▧        | 75% to 100%                         |
| ■               | ■   | ■        |                                     |
| ■               | ■   | □        | 50% to 75%                          |
| ■               | □   | □        | 25% to 50%                          |
| ■               | □   | □        | 0% to 25%                           |
| ▧               | □   | □        | Charge the battery.                 |
| ■               | ■   | □        | The battery may have malfunctioned. |
| □               | □   | ■        |                                     |

015658

### NOTE:

- Depending on the conditions of use and the ambient temperature, the indication may differ slightly from the actual capacity.

## Switch action

### ⚠ CAUTION:

- Before inserting the battery cartridge into the tool, always check to see that the switch trigger actuates properly and returns to the "OFF" position when released. (Fig. 4)

For your safety, this tool is equipped with a dual switching system. To turn on the tool, press the lock-off button and triggers A and B. Release either one of the two pressed triggers to turn off. The sequence of switching is unimportant as the tool only starts when both switches are activated.

## Indication lamp (Fig. 5)

Running the tool allows the indication lamp to show the battery cartridge capacity status.

When the tool is also overloaded and has stopped during operation, the lamp lights up in red.

Refer to the following table for the status and action to be taken for the indication lamp.



| Indication lamp                        | Status   | Action to be taken                                  |
|--|--|---|
| The lamp blinks in red                 | This indicates the appropriate time to replace the battery cartridge when the battery power becomes low. | Recharge the battery cartridge as soon as possible. |
| The lamp lights up in red.<br>(Note 1) | This function works when the battery power is almost used up. At this time, tool stops immediately.      | Recharge the battery cartridge.                     |
| The lamp lights up in red.<br>(Note 1) | Autostop due to overload   | Turn off the tool.                                  |

Note 1: The time at which the indication lamp lights up varies by the temperature around the work area and the battery cartridge conditions.

010970

## OPERATION

### CAUTION:

- Be careful not to accidentally contact a metal fence or other hard objects while trimming. The blade will break and may cause serious injury.
- Overreaching with a hedge trimmer, particularly from a ladder, is extremely dangerous. Do not work from anything wobbly or infirm. (Fig. 6)

Do not attempt to cut branches thicker than 10 mm diameter with this trimmer. These should first be cut with shears down to the hedge trimming level.

### CAUTION:

- Do not cut off dead trees or similar hard objects. Failure to do so may damage the tool. (Fig. 7)

Hold the trimmer with both hands and pull the switch trigger A or B and then move it in front of your body.

(Fig. 8)

As a basic operation, tilt the blades towards the trimming direction and move it calmly and slowly at the speed rate of 3 - 4 seconds per meter. (Fig. 9)

To cut a hedge top evenly, it helps to tie a string at the desired hedge height and to trim along it, using it as a reference line. (Fig. 10)

Attaching the chip receiver (optional accessory) on the tool when trimming the hedge straight can avoid cut off leaves' being thrown away. (Fig. 11)

To cut a hedge side evenly, it helps to cut from the bottom upwards. (Fig. 12)

Trim boxwood or rhododendron from the base toward the top for a nice appearance and good job.

## Installing or removing chip receiver (optional accessory)

### CAUTION:

- Always be sure that the tool is switched off and unplugged before installing or removing chip receiver.

### NOTE:

- When replacing the chip receiver, always wear gloves so that hands and face does not directly contact the blade. Failure to do so may cause personal injury.
- Always be sure to remove the blade cover before installing the chip receiver.
- The chip receiver receives cut-off leaves and alleviates collecting thrown-away leaves. This can be installed on either side of the tool. (Fig. 13)

Press the chip receiver on the shear blades so that its slits overlap with the nuts on the shear blades. (Fig. 14)

At this time, the chip receiver needs to be installed so that its hooks fit into grooves in the shear blade unit. (Fig. 15) To remove the chip receiver, press its lever on both sides so that the hooks are unlocked.

### CAUTION:

- The blade cover (standard equipment) cannot be installed on the tool with the chip receiver being installed. Before carrying or storing, uninstall the chip receiver and then install the blade cover to avoid blade exposure.

### NOTE:

- Check the chip receiver for secure installment before use.
- Never try to uninstall the chip receiver by an excessive force with its hooks locked in the blade unit grooves. Using the excessive force may damage it.

## MAINTENANCE

### CAUTION:

- Always be sure that the tool is switched off and the battery cartridge is removed before attempting to perform inspection or maintenance.

## Cleaning the tool

Clean out the tool by wiping off dust with a dry or soap-dipped rag.

### CAUTION:

- Never use gasoline, benzine, thinner, alcohol or the like. Discoloration, deformation or cracks may result.

## Blade maintenance

Smear the blade before and once per hour during operation using machine oil or the like.

### NOTE:

- Before smearing the blade, remove the chip receiver. After operation, remove dust from both sides of the blade with wired brush, wipe it off with a rag and then apply enough low-viscosity oil, such as machine oil etc. and spray-type lubricating oil.

### CAUTION:

- Do not wash the blades in water. Failure to do so may cause rust or damage on the tool.

## Removing or installing shear blade

### CAUTION:

- Before removing or installing shear blade, always be sure that the tool is switched off and the battery cartridge is removed.
- When replacing the shear blade, always wear gloves without removing blade cover so that hands and face does not directly contact the blade. Failure to do so may cause personal injury.

### NOTE:

- Do not wipe off grease from the gear and crank. Failure to do so may cause damage to the tool.

## Removing the shear blades (Fig. 16)

Reverse the tool and loosen four screws and remove the under cover.

### NOTE:

- Be careful not to get your hands dirty as grease is applied in the shear blade driving area. (Fig. 17)

Loosen four screws and remove the blades. Remove the washer and sponge from the shear blades and put them aside. They are required for the later installation. (Fig. 18) If the sleeves are still left in the holes of the gear, remove the gear and push the sleeves out of it with a screwdriver or the like.

### NOTE:

The washer underneath the gear may come off by mistake when removing the gear. In this case, return it to the original position as it was installed.

## Installing the shear blade (Fig. 19)

Remove the blade cover from the old shear blades and fit it onto the new ones to avoid contact with blades.

### (Fig. 20)

Adjust the hole positions by turning the gear as illustrated.

### (Fig. 21 & 22)

Apply some grease provided with the new shear blades as illustrated. (Fig. 23)

Put the removed sponge in the same position as the old one. Make sure that the sleeves provided with the new shear blades are put on the pins of the blade. Place the new shear blades on the tool so that the pins fit in the holes of the gear. If the sleeves on the pins come off mistakenly, put them into the holes of the gear beforehand. (Fig. 24)

Install the blade and tighten the four screws and put the removed washer in the same position as the old one.

### (Fig. 25)

Install the under cover on the tool and tighten the four screws firmly.

## Storage

The hook hole in the tool bottom is convenient for hanging the tool from a nail or screw on the wall. (Fig. 26)

Remove the battery cartridge and put the blade cover on the shear blades so that the blades are not exposed.

Store the tool out of the reach of children carefully.

Store the tool in the place not exposed to water and rain. To maintain product SAFETY and RELIABILITY, repairs, any other maintenance or adjustment should be performed by Makita Authorized Service Centers, always using Makita replacement parts.

## OPTIONAL ACCESSORIES

### CAUTION:

- These accessories or attachments are recommended for use with your Makita tool specified in this manual. The use of any other accessories or attachments might present a risk of injury to persons. Only use accessory or attachment for its stated purpose.

If you need any assistance for more details regarding these accessories, ask your local Makita Service Center.

- Blade cover
- Shear blade assembly
- Makita genuine battery and charger
- Chip receiver

### NOTE:

- Some items in the list may be included in the tool package as standard accessories. They may differ from country to country.

### Noise

ENG905-1

The typical A-weighted noise level determined according to EN60745:

#### Model DUH481, DUH483, DUH521

Sound pressure level ( $L_{pA}$ ): 75 dB (A)

Uncertainty (K): 2.5 dB (A)

The noise level under working may exceed 80 dB (A).

#### Model DUH523

Sound pressure level ( $L_{pA}$ ): 77 dB (A)

Uncertainty (K): 2.5 dB (A)

The noise level under working may exceed 80 dB (A).

**Wear ear protection.**

### Vibration

ENG900-1

The vibration total value (tri-axial vector sum) determined according to EN60745:

Work mode: hedge trimming

Vibration emission ( $a_{rh}$ ): 2.5 m/s<sup>2</sup> or less

Uncertainty (K): 1.5 m/s<sup>2</sup>

ENG901-1

- The declared vibration emission value has been measured in accordance with the standard test method and may be used for comparing one tool with another.
- The declared vibration emission value may also be used in a preliminary assessment of exposure.

### WARNING:

- The vibration emission during actual use of the power tool can differ from the declared emission value depending on the ways in which the tool is used.
- Be sure to identify safety measures to protect the operator that are based on an estimation of exposure in the actual conditions of use (taking account of all parts of the operating cycle such as the times when the tool is switched off and when it is running idle in addition to the trigger time).

### For European countries only

ENH040-4

### EC Declaration of Conformity

#### Makita declares that the following Machine(s):

Designation of Machine:

Cordless Hedge Trimmer

Model No./Type: DUH481, DUH483, DUH521,

DUH523

Specifications: see "SPECIFICATIONS" table.

**Conforms to the following European Directives:**

2000/14/EC, 2006/42/EC

They are manufactured in accordance with the following standard or standardized documents:

EN60745

The technical file in accordance with 2006/42/EC is available from:

Makita, Jan-Baptist Vinkstraat 2, 3070, Belgium

The conformity assessment procedure required by Directive 2000/14/EC was in Accordance with annex V.

Model DUH481

Measured Sound Power Level: 83.2 dB (A)

Guaranteed Sound Power Level: 86 dB (A)

Model DUH483

Measured Sound Power Level: 83.8 dB (A)

Guaranteed Sound Power Level: 88 dB (A)

Model DUH521

Measured Sound Power Level: 82.9 dB (A)

Guaranteed Sound Power Level: 86 dB (A)

Model DUH523

Measured Sound Power Level: 84.3 dB (A)

Guaranteed Sound Power Level: 89 dB (A)

28. 4. 2015



Yasushi Fukaya  
Director

Makita, Jan-Baptist Vinkstraat 2, 3070, Belgium

# FRANÇAIS (Instructions d'origine)

## Descriptif

- |                                  |  |                                |
|----------------------------------|--|--------------------------------|
| 1. Voyant rouge                  | 13. Inclinez les lames                     | 23. Déverrouillez les fermoirs |
| 2. Bouton                        | 14. Ficelle                                | 24. Vis                        |
| 3. Batterie                      | 15. Appuyez                                | 25. Couvercle secondaire       |
| 4. Étoile                        | 16. Récepteur de copeaux                   | 26. Éponge                     |
| 5. Voyants                       | 17. Écrou                                  | 27. Rondelle                   |
| 6. Bouton de vérification        | 18. Lame de cisailles                      | 28. Engrenage                  |
| 7. Gâchette A                    | 19. Fermoirs                               | 29. Manchons                   |
| 8. Gâchette B                    | 20. Installez les fermoirs dans la rainure | 30. Rainure                    |
| 9. Bouton de sécurité            | 21. Rainures                               | 31. Protège-lame               |
| 10. Voyant                       | 22. Appuyez des deux côtés des leviers     | 32. Graisse                    |
| 11. Sens de la taille            |  | 33. Lame                       |
| 12. Surface de la haie à tailler |  |                                |

## SPÉCIFICATIONS

| Modèle                                 | DUH481             |                              | DUH483                                    |  | DUH521             |                              | DUH523                                    |  |
|--|--------------------|------------------------------|---|--|--------------------|------------------------------|---|--|
| Longueur de la lame                    | 480 mm             |                              |   |  | 520 mm             |                              |   |  |
| Passes par minute (min <sup>-1</sup> ) | 1 350              |                              |   |  |                    |                              |   |  |
| Tension nominale                       | 14,4 V C.C.        |                              | 18 V C.C.                                 |  | 14,4 V C.C.        |                              | 18 V C.C.                                 |  |
| Longueur totale                        | 869 mm             | 881 mm                       | 873 mm                                    | 888 mm   | 919 mm             | 931 mm                       | 923 mm                                    | 938 mm   |
| Poids net                              | 2,9 kg             | 3,1 kg                       | 3,0 kg                                    | 3,2 kg   | 3,0 kg             | 3,2 kg                       | 3,0 kg                                    | 3,3 kg   |
| Batterie                               | BL1415/<br>BL1415N | BL1430/<br>BL1440/<br>BL1450 | BL1815/<br>BL1815N/<br>BL1820/<br>BL1820B | BL1830/<br>BL1840/<br>BL1840B/<br>BL1850/<br>BL1850B | BL1415/<br>BL1415N | BL1430/<br>BL1440/<br>BL1450 | BL1815/<br>BL1815N/<br>BL1820/<br>BL1820B | BL1830/<br>BL1840/<br>BL1840B/<br>BL1850/<br>BL1850B |
| Chargeur de batterie                   | DC18RC, DC18SD     |                              |   |  |                    |                              |   |  |

- Étant donné l'évolution constante de notre programme de recherche et de développement, les spécifications contenues dans ce manuel sont sujettes à des modifications sans préavis.
- Les spécifications et la batterie peuvent varier d'un pays à l'autre.
- Poids, batterie incluse, selon la procédure EPTA 01/2003

### Symboles

END013-4

Les symboles utilisés pour l'appareil sont indiqués ci-dessous. Assurez-vous d'avoir bien compris leur signification avant d'utiliser l'appareil.



..... Reportez-vous au manuel d'instructions.



..... Gardez à l'abri de la pluie.



..... Pour les pays européens uniquement  
Ne pas jeter les appareils électriques et les bloc-batteries dans les ordures ménagères !  
Conformément aux directives européennes relatives aux déchets d'équipements électriques ou électroniques (DEEE) ainsi qu'aux batteries, aux accumulateurs et aux batteries et accumulateurs usagés et à leur transposition dans la législation nationale, les appareils électriques, les batteries et les bloc-batteries doivent

être collectés à part et être soumis à un recyclage respectueux de l'environnement.

### Utilisations

ENE014-1

Cet outil est conçu pour le taillage des haies.

## Consignes de sécurité générales des outils électriques

GEA010-1

**⚠ AVERTISSEMENT** Veuillez lire toutes les consignes de sécurité et les instructions. Il y a un risque de choc électrique, d'incendie et/ou de blessure grave si les consignes et les instructions ne sont pas toutes respectées.

**Conservez toutes les consignes et instructions pour référence ultérieure.**

# CONSIGNES DE SÉCURITÉ CONCERNANT LE TAILLE-HAIE SANS FIL

GEB062-5

1. **Maintenez toutes les parties du corps éloignées de la lame de coupe. Ne retirez pas et ne retirez pas le matériau à couper lorsque les lames sont en mouvement. Assurez-vous que l'outil est éteint lors du dégagement des matériaux enchevêtrés.**

Tout moment d'inattention pendant l'utilisation du taille-haie comporte un risque de blessure corporelle grave.

2. **Portez le taille-haie par la poignée après avoir arrêté la lame de coupe. Lors du transport ou du stockage du taille-haie, fermez toujours le couvercle du dispositif de coupe.** Une utilisation correcte du taille-haie permettra de réduire les risques éventuels de blessures corporelles par la lame de coupe.
3. **Tenez l'outil par ses surfaces de prise isolées uniquement car la lame de coupe risque d'entrer en contact avec des fils cachés.** Il est possible que le contact avec un fil sous tension mette les parties métalliques exposées de l'outil sous tension, risquant ainsi de provoquer un choc électrique chez l'utilisateur.
4. N'utilisez pas le taille-haie sous la pluie ou dans des conditions d'humidité importante. Le moteur électrique n'est pas étanche.
5. Les personnes utilisant le taille-haie pour la première fois doivent demander à un utilisateur expérimenté de leur indiquer la procédure d'utilisation du taille-haie.
6. Le taille-haie ne doit pas être utilisé par les enfants ni les jeunes âgés de moins de 18 ans. Cette restriction ne s'applique pas aux jeunes de 16 ans ou plus ayant reçu une formation sous la supervision d'un spécialiste.
7. Utilisez le taille-haie uniquement si vous êtes en bonne condition physique. Si vous êtes fatigué(e), votre attention sera réduite. Soyez particulièrement prudent(e) à la fin d'une journée de travail. Effectuez tout le travail avec calme et prudence. L'utilisateur est responsable de tous les dommages causés aux tiers.
8. N'utilisez jamais le taille-haie après avoir consommé de l'alcool, de la drogue ou des médicaments.
9. Les gants de travail en cuir épais font partie de l'équipement de base du taille-haie et vous devez toujours les porter lorsque vous travaillez avec l'outil. Portez également des chaussures solides munies de semelles anti-dérapantes.
10. Avant de commencer à travailler, assurez-vous que le taille-haie est en état de fonctionnement correct et sûr. Assurez-vous que les garde-corps sont correctement installés. Vous pouvez utiliser le taille-haie uniquement s'il est entièrement monté.
11. Assurez-vous d'avoir une bonne prise au sol avant de commencer à travailler.
12. Maintenez l'outil fermement lors de son utilisation.
13. Ne faites pas fonctionner inutilement l'outil à vide.
14. Coupez immédiatement le moteur et retirez la batterie si la lame entre en contact avec une clôture ou un autre objet dur. Vérifiez que la lame n'est pas endommagée ; dans le cas contraire, réparez-la immédiatement.

15. Avant de vérifier la lame, corriger les problèmes ou retirer les matériaux happés par la lame, éteignez toujours le taille-haie et retirez la batterie.
16. Mettez le taille-haie hors tension et retirez la batterie avant d'effectuer toute tâche d'entretien.
17. Lors du déplacement du taille-haie dans un autre lieu, notamment pendant son utilisation, retirez toujours la batterie et placez l'étui de protection sur la lame de coupe. Ne déplacez et ne transportez jamais le taille-haie alors que la lame est en mouvement. Ne saisissez jamais la lame dans les mains.
18. Nettoyez le taille-haie et en particulier la lame après utilisation et avant de ranger le taille-haie pendant une période prolongée. Lubrifiez légèrement la lame et mettez l'étui de protection. Vous pouvez suspendre l'étui fourni avec l'appareil au mur, ce qui vous permet de ranger le taille-haie de manière sûre et pratique.
19. Placez le taille-haie dans son étui avant de le ranger et mettez-le dans une pièce sèche. Conservez-le hors de portée des enfants. Ne rangez jamais le taille-haie à l'extérieur.

## CONSERVEZ CES INSTRUCTIONS.

### ⚠ AVERTISSEMENT :

**NE vous laissez PAS tromper (au fil d'une utilisation répétée) par un sentiment d'aisance et de familiarité avec le produit, en négligeant le respect rigoureux des consignes de sécurité qui accompagnent l'outil. Une UTILISATION INCORRECTE de l'outil ou le non-respect des consignes de sécurité indiquées dans ce manuel d'instructions peuvent causer des blessures graves.**

## CONSIGNES DE SÉCURITÉ IMPORTANTES

ENC007-9

### POUR LA BATTERIE

1. **Avant d'utiliser la batterie, veuillez lire toutes les instructions et tous les avertissements inscrits sur (1) le chargeur, (2) la batterie et (3) l'appareil alimenté par la batterie.**
2. **Ne démontez pas la batterie.**
3. **Cessez immédiatement d'utiliser l'outil si le temps de fonctionnement devient excessivement court. Il y a un risque de surchauffe, de brûlures, voire d'explosion.**
4. **Si l'électrolyte pénètre dans vos yeux, rincez-les à l'eau claire et consultez immédiatement un médecin. Il y a un risque de perte de la vue.**
5. **Évitez de court-circuiter la batterie :**
  - (1) **Ne touchez les bornes avec aucun matériau conducteur.**
  - (2) **Évitez de ranger la batterie dans un contenant où se trouvent d'autres objets métalliques tels que des clous, pièces de monnaie, etc.**
  - (3) **N'exposez pas la batterie à l'eau ou à la pluie. Un court-circuit de la batterie risque de provoquer un fort courant, une surchauffe, parfois des brûlures et même une panne.**

6. **Ne rangez pas l'outil ou la batterie dans des endroits où la température risque d'atteindre ou de dépasser 50 °C (122 °F).**
7. **Ne jetez pas la batterie au feu même si elle est sérieusement endommagée ou complètement épuisée. La batterie peut exploser au contact du feu.**
8. **Veillez à ne pas laisser tomber ou heurter la batterie.**
9. **N'utilisez pas de batterie endommagée.**
10. **Respectez les réglementations locales relatives à la mise au rebut des batteries.**

## CONSERVEZ CES INSTRUCTIONS.

### Conseils pour assurer la durée de vie optimale de la batterie

1. **Rechargez la batterie avant qu'elle ne soit complètement épuisée.**  
**Arrêtez toujours l'outil et rechargez la batterie quand vous constatez que la puissance de l'outil diminue.**
2. **Ne rechargez jamais une batterie complètement chargée.**  
**La surcharge réduit la durée de service de la batterie.**
3. **Chargez la batterie alors que la température de la pièce se trouve entre 10 °C et 40 °C (50 °F et 104 °F). Si une batterie est chaude, laissez-la refroidir avant de la charger.**
4. **Chargez la batterie si vous ne l'avez pas utilisée pendant une longue période (plus de six mois).**

## DESCRIPTION DU FONCTIONNEMENT

### ⚠ ATTENTION :

- Veillez toujours à ce que l'outil soit éteint et la batterie déposée avant d'effectuer des réglages ou de vérifier le fonctionnement de l'outil.

### Installation et retrait de la batterie (Fig. 1)

#### ⚠ ATTENTION :

- Éteignez toujours l'outil avant d'installer ou de déposer la batterie.
- **Tenez fermement l'outil et la batterie lors de l'installation ou du retrait de la batterie.** Si vous ne tenez pas fermement l'outil et la batterie, ils risquent de glisser et de s'abîmer ou de vous blesser.

Pour retirer la batterie, faites glisser le bouton à l'avant de la batterie et sortez la batterie.

Pour installer la batterie, alignez sa languette sur la rainure qui se trouve à l'intérieur du carter, puis glissez la batterie pour la mettre en place. Insérez-la bien à fond, jusqu'à ce qu'elle se verrouille en émettant un léger clic. Si vous pouvez voir le voyant rouge sur la face supérieure du bouton, la batterie n'est pas parfaitement verrouillée.

#### ⚠ ATTENTION :

- Installez toujours la batterie à fond, de sorte que le voyant rouge ne soit plus visible. Sinon, elle risque de

tomber accidentellement de l'outil, en vous blessant ou en blessant une personne située près de vous.

- Ne forcez pas pour installer la batterie. Si la batterie ne glisse pas aisément, c'est qu'elle n'est pas insérée correctement.

### Système de protection de la batterie (batterie au lithium-ion comportant une étoile) (Fig. 2)

Les batteries au lithium-ion comportant une étoile sont équipées d'un système de protection. Ce système coupe automatiquement l'alimentation en électricité vers l'outil afin de prolonger sa durée de vie.

L'outil s'arrête automatiquement pendant l'utilisation lorsqu'il et/ou la batterie se trouvent dans l'une des situations suivantes :

- **Surchargé :**  
L'outil fonctionne de manière à créer un courant anormalement élevé.  
Dans ce cas, relâchez la gâchette située sur l'outil et arrêtez l'application ayant provoqué une surcharge de l'outil. Ensuite, tirez à nouveau sur la gâchette pour redémarrer l'outil.  
Si l'outil ne démarre pas, la batterie est en surchauffe. Dans ce cas, laissez la batterie refroidir avant d'appuyer à nouveau sur la gâchette.
- **Basse tension :**  
L'autonomie restante est trop basse et l'outil ne fonctionnera pas. Dans ce cas, retirez la batterie et rechargez-la.

### Indication de l'autonomie restante de la batterie

(uniquement pour les batteries dont le numéro de modèle se termine par la lettre « B ».) (Fig. 3)

Appuyez sur le bouton de vérification pour indiquer l'autonomie restante de la batterie. Les voyants s'allument alors pendant quelques secondes.

| Voyants |        |            | Autonomie restante                                  |
|---------|--------|------------|---|
| Allumé  | Éteint | Clignotant |   |
| ■       | □      | ◐          | 75 % à 100 %  |
| ■       | ■      | □          | 50 % à 75 %   |
| ■       | ■      | □          | 25 % à 50 %   |
| ■       | □      | □          | 0 % à 25 %  |
| ◐       | □      | □          | Recharger la batterie.                              |
| ■       | ■      | □          | Il est possible que la batterie ait mal fonctionné. |
| □       | □      | ■          |   |

015658

## REMARQUE :

- Selon les conditions d'utilisation et la température ambiante, les indications peuvent différer légèrement de l'autonomie réelle restante.

## Interrupteurs

### ⚠ ATTENTION :

- Avant d'insérer la batterie dans l'outil, vérifiez toujours que la gâchette fonctionne correctement et revient en position d'arrêt lorsqu'elle est libérée. (Fig. 4)

Pour votre sécurité, cet outil est équipé d'un double système d'allumage. Pour mettre l'outil sous tension,

| Voyant                                 | État  | Mesure à prendre                                  |
|--|---|---|
| Le voyant rouge clignote.              | Cela indique le bon moment pour remplacer la batterie lorsque son alimentation faiblit.   | Rechargez la batterie dans les plus brefs délais. |
| Le voyant rouge s'allume. (Remarque 1) | Cette fonction peut être utilisée lorsque l'autonomie de la batterie est quasiment nulle. À ce stade, l'outil s'arrête immédiatement. | Rechargez la batterie.                            |
| Le voyant rouge s'allume. (Remarque 1) | Arrêt automatique en raison d'une surcharge.  | Éteignez l'outil.                                 |

Remarque 1 : l'heure à laquelle le voyant s'allume varie selon la température de la zone de travail et l'état de la batterie.

010970

## FONCTIONNEMENT

### ⚠ ATTENTION :

- Veillez à ne pas entrer en contact accidentellement avec une clôture métallique ou d'autres objets durs lors de la taille. La lame pourrait se briser et provoquer de graves blessures.
- Il est extrêmement dangereux de tendre le bras trop loin avec un taille-haie, en particulier depuis une échelle. Ne travaillez pas sur une surface bancale ou instable. (Fig. 6)

N'essayez pas de couper des branches dont l'épaisseur est supérieure à 10 mm de diamètre avec ce taille-haie. Vous devez d'abord les couper avec des cisailles jusqu'au niveau du taillage de haie.

### ⚠ ATTENTION :

- Ne coupez pas les arbres morts ou objets durs similaires. Vous risqueriez d'endommager l'outil. (Fig. 7)

Tenez le taille-haie avec les deux mains, appuyez sur la gâchette A ou B, puis déplacez l'outil devant votre corps. (Fig. 8)

Le fonctionnement de base consiste à incliner les lames dans le sens de la taille et à les déplacer calmement et lentement à une vitesse nominale de 3 à 4 secondes par mètre. (Fig. 9)

Pour couper le haut d'une haie de manière régulière, vous pouvez attacher une ficelle au niveau de la hauteur souhaitée de la haie et tailler le long de celle-ci, en l'utilisant comme une ligne de référence. (Fig. 10)

La fixation du récepteur de copeaux (accessoire en option) sur l'outil lors du taillage de la haie de manière droite peut éviter que les feuilles coupées soient éparpillées. (Fig. 11)

Pour couper le côté d'une haie de manière régulière, coupez-la de bas en haut. (Fig. 12)

appuyez sur le bouton de sécurité et les gâchettes A et B. Pour mettre l'outil hors tension, relâchez une ou les deux gâchettes enfoncées. La séquence d'allumage importe peu car l'outil démarre uniquement lorsque les deux interrupteurs sont activés.

## Voyant (Fig. 5)

Faites fonctionner l'outil pour que le voyant indique l'autonomie restante de la batterie.

Si l'outil est également surchargé et s'arrête pendant son fonctionnement, le voyant rouge s'allume.

Reportez-vous au tableau suivant pour connaître l'état de la batterie et les mesures à prendre concernant le voyant.

Taillez le buis ou les rhododendrons de la base vers le haut afin d'obtenir une jolie haie et un travail bien fait.

## Installation ou retrait du récepteur de copeaux (accessoire en option)

### ⚠ ATTENTION :

- Assurez-vous toujours que l'outil est hors tension et débranché avant d'installer ou de retirer le récepteur de copeaux.

### REMARQUE :

- Lorsque vous remplacez le récepteur de copeaux, portez toujours des gants, de sorte que vos mains et votre visage ne soient pas en contact direct avec la lame. Le non-respect de cette instruction peut provoquer des blessures corporelles.
- Veillez toujours à retirer le protège-lame avant d'installer le récepteur de copeaux.
- Le récepteur de copeaux reçoit les feuilles coupées et facilite le recueil des feuilles éparpillées. Il s'installe d'un côté comme de l'autre de l'outil. (Fig. 13)

Appuyez sur le récepteur de copeaux situé sur les lames de cisailles de sorte que ses fentes chevauchent les écrous situés sur les lames de cisailles. (Fig. 14)

À ce stade, vous devez installer le récepteur de copeaux, de sorte que ses fermoirs s'insèrent dans les rainures de l'unité des lames de cisailles. (Fig. 15)

Pour déposer le récepteur de copeaux, appuyez de chaque côté de son levier de manière à déverrouiller les fermoirs.

### ⚠ ATTENTION :

- Le protège-lame (équipement standard) ne peut pas être installé sur l'outil lorsque le récepteur de copeaux s'y trouve déjà. Avant de transporter ou de ranger l'outil, désinstallez le récepteur de copeaux, puis installez le protège-lame afin d'éviter que celle-ci soit exposée.

#### REMARQUE :

- Vérifiez que le récepteur de copeaux est installé de manière sécurisée avant de l'utiliser.
- N'essayez jamais de désinstaller le récepteur de copeaux en forçant de manière démesurée lorsque ses fermoirs sont verrouillés dans les rainures de l'unité de la lame. L'application d'une force excessive risque de l'endommager.

## ENTRETIEN

#### ⚠ ATTENTION :

- Assurez-vous toujours que l'outil est hors tension et que la batterie est retirée avant d'y effectuer tout travail d'inspection ou d'entretien.

### Nettoyage de l'outil

Pour nettoyer l'outil, essuyez la poussière à l'aide d'un chiffon sec ou imbibé d'eau savonneuse.

#### ⚠ ATTENTION :

- N'utilisez jamais d'essence, de benzine, de diluant, d'alcool ou de produit similaire. Ces produits risquent de provoquer des décolorations, des déformations ou des fissures.

### Maintenance de la lame

Lubrifiez la lame à l'aide d'huile pour machines ou de produits similaires avant d'utiliser l'outil et toutes les heures pendant son fonctionnement.

#### REMARQUE :

- Avant de lubrifier la lame, retirez le récepteur de copeaux.

Après avoir utilisé l'outil, retirez la poussière des deux côtés de la lame à l'aide d'une brosse métallique, essuyez-la à l'aide d'un chiffon, puis appliquez suffisamment d'huile à basse viscosité, telle que de l'huile pour machines, de l'huile de graissage à pulvérisation, etc.

#### ⚠ ATTENTION :

- Ne lavez pas les lames dans l'eau. Vous risqueriez de provoquer l'apparition de rouille ou d'endommager l'outil.

### Retrait ou installation de la lame de cisailles

#### ⚠ ATTENTION :

- Avant de retirer ou d'installer la lame de cisailles, assurez-vous toujours que l'outil est hors tension et que la batterie est retirée.
- Lorsque vous remplacez la lame de cisailles, portez toujours des gants sans retirer le protège-lame, de sorte que vos mains et votre visage ne soient pas en contact direct avec la lame. Le non-respect de cette instruction peut provoquer des blessures corporelles.

#### REMARQUE :

- N'essayez pas la graisse de l'engrenage et de la bielle. Vous risqueriez d'endommager l'outil.

### Démontage des lames de la cisaille

#### (Fig. 16)

Retournez l'outil et desserrez les quatre vis et retirez le couvercle secondaire.

#### REMARQUE :

- Veillez à ne pas vous salir les mains car la graisse se diffuse sur la zone de déplacement de la lame de cisailles. (Fig. 17)

Desserrez les quatre vis et retirez les lames. Retirez la rondelle et l'éponge des lames de la cisaille et mettez-les de côté. Vous en aurez besoin pour la suite de l'installation. (Fig. 18)

Si les manchons n'ont pas été retirés des orifices de l'engrenage, retirez l'engrenage et appuyez sur les manchons avec un tournevis ou un objet similaire pour les faire sortir.

#### REMARQUE :

La rondelle située sous l'engrenage peut se détacher par erreur lors du retrait de l'engrenage. Dans ce cas, remplacez-le en position d'origine tel qu'il était installé.

### Installation de la lame de la cisaille

#### (Fig. 19)

Retirez le protège-lame des anciennes lames de cisaille et installez-le sur les nouvelles pour éviter tout contact avec celles-ci. (Fig. 20)

Réglez la position des orifices en tournant l'engrenage comme illustré. (Fig. 21 et 22)

Appliquez de la graisse fournie les lames de cisailles neuves comme illustré. (Fig. 23)

Placez l'éponge que vous avez retirée dans la même position que l'ancienne. Assurez-vous que les manchons fournis avec les lames de cisailles neuves sont placés sur les goupilles de la lame. Placez les lames de cisailles neuves sur l'outil, de sorte que les goupilles s'insèrent dans les orifices de l'engrenage. Si les manchons situés sur les goupilles se détachent par erreur, placez-les préalablement dans les orifices de l'engrenage. (Fig. 24) Installez la lame et serrez les quatre vis, puis placez la rondelle que vous avez retirée dans la même position que l'ancienne. (Fig. 25)

Installez le couvercle secondaire sur l'outil et serrez les quatre vis fermement.

### Entreposage

L'orifice du crochet situé dans la partie inférieure de l'outil est pratique pour suspendre l'outil à un clou ou une vis au mur. (Fig. 26)

Retirez la batterie et placez le protège-lame sur les lames de cisailles afin que celles-ci ne soient pas exposées.

Veillez à ranger l'outil hors de portée des enfants.

Rangez l'outil à l'abri de la pluie et de l'eau.

Pour garantir la SÉCURITÉ et la FIABILITÉ du produit, les réparations ainsi que tout autre travail d'entretien ou de réglage doivent être effectués dans un centre d'entretien Makita agréé, exclusivement avec des pièces de rechange Makita.



# ACCESSOIRES FOURNIS EN OPTION

Pour les pays d'Europe uniquement

ENH040-4

Déclaration de conformité CE

Makita déclare que la/les machine(s) suivante(s) :

Nom de la machine :

Taille-haie sans fil

N° de modèle/Type : DUH481, DUH483, DUH521, DUH523

Spécifications : voir le tableau

« SPÉCIFICATIONS ».

sont conformes aux directives européennes

suivantes :

2000/14/CE, 2006/42/CE

sont produites conformément aux normes ou documents de normalisation suivants :

EN60745

Le dossier technique conforme à la norme 2006/42/CE est disponible auprès de :

Makita, Jan-Baptist Vinkstraat 2, 3070, Belgique

La procédure d'évaluation de la conformité requise par la directive 2000/14/CE est conforme à l'annexe V.

Modèles DUH481

Niveau de puissance sonore mesurée : 83,2 dB (A)

Niveau de puissance sonore garantie : 86 dB (A)

Modèles DUH483

Niveau de puissance sonore mesurée : 83,8 dB (A)

Niveau de puissance sonore garantie : 88 dB (A)

Modèles DUH521

Niveau de puissance sonore mesurée : 82,9 dB (A)

Niveau de puissance sonore garantie : 86 dB (A)

Modèles DUH523

Niveau de puissance sonore mesurée : 84,3 dB (A)

Niveau de puissance sonore garantie : 89 dB (A)

## ⚠ ATTENTION :

- Ces accessoires ou pièces complémentaires sont recommandés pour être utilisés avec l'outil Makita spécifié dans ce mode d'emploi. L'utilisation de tout autre accessoire ou pièce complémentaire peut comporter un risque de blessure. N'utilisez les accessoires ou pièces qu'aux fins auxquelles ils ont été conçus.

Pour obtenir plus de détails sur ces accessoires, contactez votre Centre de service local Makita.

- Protège-lame
- Lame de cisailles
- Batterie et chargeur Makita d'origine
- Récepteur de copeaux

## REMARQUE :

- Certains éléments de la liste peuvent être inclus en tant qu'accessoires standard dans le coffret de l'outil envoyé. Ils peuvent varier suivant les pays.

**Bruit** ENG905-1

Les niveaux de bruit pondéré A typiques ont été mesurés selon la norme EN60745 :

**Modèles DUH481, DUH483, DUH521**

Niveau de pression sonore ( $L_{pA}$ ) : 75 dB (A)

Incertitude (K) : 2,5 dB (A)

Le niveau de bruit peut dépasser 80 dB (A) lors de l'utilisation.

**Modèles DUH523**

Niveau de pression sonore ( $L_{pA}$ ) : 77 dB (A)

Incertitude (K) : 2,5 dB (A)

Le niveau de bruit peut dépasser 80 dB (A) lors de l'utilisation.

### Portez des protections auditives.

**Vibrations** ENG900-1

La valeur totale de vibration (somme du vecteur triaxial) a été déterminée selon la norme EN60745 :

Mode de fonctionnement : taillage de haie

Émission des vibrations ( $a_{rv}$ ) : 2,5 m/s<sup>2</sup> ou moins

Incertitude (K) : 1,5 m/s<sup>2</sup>

ENG901-1

- La valeur de l'émission des vibrations déclarée a été mesurée conformément à la méthode de test standard et peut être utilisée afin de comparer des outils entre eux.
- La valeur de l'émission des vibrations déclarée peut également être utilisée lors d'une évaluation préliminaire de l'exposition.

## ⚠ AVERTISSEMENT :

- Selon la manière dont l'outil est utilisé, il est possible que l'émission des vibrations pendant l'utilisation réelle de l'outil électrique diffère de la valeur de l'émission déclarée.
- Veillez à identifier les mesures de sécurité destinées à protéger l'opérateur et établies en fonction de l'estimation de l'exposition dans les conditions réelles d'utilisation (en prenant en compte toutes les étapes du cycle de fonctionnement, telles que les périodes de mise hors tension de l'outil, les périodes de fonctionnement au ralenti et les périodes de mise en route).

28. 4. 2015



Yasushi Fukaya  
Directeur

Makita, Jan-Baptist Vinkstraat 2, 3070, Belgique

# DEUTSCH (Originalanweisungen)

## Erklärung der Gesamtdarstellung

- |                                 |  |                          |
|---------------------------------|--|--------------------------|
| 1. Roter Bereich                | 13. Neigung der Messer                 | 23. Lösen der Haken      |
| 2. Taste                        | 14. Schnur                             | 24. Schrauben            |
| 3. Akkublock                    | 15. Drücken                            | 25. Untere Abdeckung     |
| 4. Sternmarkierung              | 16. Spanaufnehmer                      | 26. Schaumstoff          |
| 5. Anzeigenlampen               | 17. Mutter                             | 27. Unterlegscheibe      |
| 6. Akkuprüftaste                | 18. Schneidblatt                       | 28. Zahnrad              |
| 7. Ein/Aus-Schalter A           | 19. Haken                              | 29. Hülsen               |
| 8. Ein/Aus-Schalter B           | 20. Einpassen der Haken in die Kerbe   | 30. Nut                  |
| 9. Arretiertaste                | 21. Kerben                             | 31. Schneidschwertschutz |
| 10. Anzeige                     | 22. Drücken der Hebel an beiden Seiten | 32. Schmierfett          |
| 11. Schneidrichtung             |  | 33. Schneidmesser        |
| 12. Zu schneidende Heckenfläche |  |                          |

## TECHNISCHE DATEN

| Modell                                  | DUH481             |                              | DUH483                                    |  | DUH521             |                              | DUH523                                    |  |
|---|--------------------|------------------------------|---|--|--------------------|------------------------------|---|--|
| Schneidblattlänge                       | 480 mm             |                              |   |  | 520 mm             |                              |   |  |
| Schläge pro Minute (min <sup>-1</sup> ) | 1.350              |                              |   |  |                    |                              |   |  |
| Nennspannung                            | 14,4 V Gleichstrom |                              | 18 V Gleichstrom                          |  | 14,4 V Gleichstrom |                              | 18 V Gleichstrom                          |  |
| Gesamtlänge                             | 869 mm             | 881 mm                       | 873 mm                                    | 888 mm   | 919 mm             | 931 mm                       | 923 mm                                    | 938 mm   |
| Nettogewicht                            | 2,9 kg             | 3,1 kg                       | 3,0 kg                                    | 3,2 kg   | 3,0 kg             | 3,2 kg                       | 3,0 kg                                    | 3,3 kg   |
| Akkublock                               | BL1415/<br>BL1415N | BL1430/<br>BL1440/<br>BL1450 | BL1815/<br>BL1815N/<br>BL1820/<br>BL1820B | BL1830/<br>BL1840/<br>BL1840B/<br>BL1850/<br>BL1850B | BL1415/<br>BL1415N | BL1430/<br>BL1440/<br>BL1450 | BL1815/<br>BL1815N/<br>BL1820/<br>BL1820B | BL1830/<br>BL1840/<br>BL1840B/<br>BL1850/<br>BL1850B |
| Akkuladegerät                           | DC18RC, DC18SD     |                              |   |  |                    |                              |   |  |

- Aufgrund unserer beständigen Forschungen und Weiterentwicklungen sind Änderungen an den hier angegebenen Technischen Daten ohne Vorankündigung vorbehalten.
- Die Technischen Daten und der Akkublock können in den einzelnen Ländern Abweichungen aufweisen.
- Gewicht, mit Akkublock, ermittelt gemäß EPTA-Verfahren 01/2003

### Symbole

END013-4

Im Folgenden sind die im Zusammenhang mit diesem Gerät verwendeten Symbole dargestellt. Machen Sie sich vor der Benutzung des Geräts unbedingt mit diesen Symbolen vertraut!



..... Lesen Sie die Bedienungsanleitung!



..... Setzen Sie das Gerät nicht dem Regen aus.



Nur für EU-Länder  
Entsorgen Sie Elektrowerkzeuge, Batterien und Akkus nicht über den Hausmüll!  
Gemäß der Europäischen Richtlinie über Elektro- und Elektronik- Altgeräte und über Batterien und Akkumulatoren sowie Altbatterien und Altakkumulatoren und ihrer Umsetzung in nationales Recht müssen verbrauchte Elektrowerkzeuge sowie Altbatterien und Altakkumulatoren getrennt gesammelt und einer

umweltgerechten Wiederverwertung zugeführt werden.

### Verwendungszweck

ENE014-1

Das Gerät wurde für das Schneiden von Hecken entwickelt.

## Allgemeine Sicherheitshinweise für Elektrowerkzeuge

GEA010-1



**WARNUNG Lesen Sie alle Sicherheitshinweise und Anweisungen sorgfältig durch.** Wenn die Hinweise und Anweisungen nicht beachtet werden, besteht die Gefahr eines Stromschlags, Brands und/oder das Risiko von ernsthaften Verletzungen.

**Bewahren Sie alle Hinweise und Anweisungen zur späteren Referenz gut auf.**

# SICHERHEITSHINWEISE ZUR AKKU-HECKENSCHERE

GEB062-5

1. **Halten Sie mit allen Körperteilen Abstand zum Schneidmesser. Entfernen Sie kein geschnittenes Material oder halten Sie kein zu schneidendes Material, wenn sich die Messer bewegen. Überprüfen Sie, dass der Schalter aus ist, wenn Sie verklebtes Material entfernen.** Ein Moment der Unachtsamkeit kann beim Umgang mit der Heckenschere zu schweren Verletzungen führen.
2. **Tragen Sie die Heckenschere mit angehaltenerm Schneidmesser am Griff. Transportieren und lagern Sie die Heckenschere immer mit aufgesetztem Schutz über dem Schneidmesser.** Durch einen sachgemäßen Umgang mit der Heckenschere können Sie mögliche Personenschäden durch die Schneidmesser vermindern.
3. **Halten Sie das Werkzeug ausschließlich an den isolierten Griffflächen, da die Schneidmesser verborgene Kabel berühren können.** Bei Kontakt des Schneidmessers mit einem stromführenden Kabel wird der Strom an die Metallteile des Elektrowerkzeugs und dadurch an den Bediener weitergeleitet, und der Bediener erleidet einen Stromschlag.
4. Verwenden Sie die Heckenschere nicht, während es regnet oder bei nassen oder sehr feuchten Bedingungen. Der Elektromotor ist nicht wasserdicht.
5. Unerfahrene Anwender sollten sich von erfahrenen Anwendern die Verwendung der Heckenschere zeigen lassen.
6. Kinder und Jugendliche unter 18 Jahren dürfen die Heckenschere nicht bedienen. Jugendliche über 16 Jahren sind von diesem Verbot ausgenommen, wenn Sie zum Zwecke der Ausbildung unter Aufsicht eines Fachkundigen stehen.
7. Betreiben Sie die Heckenschere nur, wenn Sie in guter physischer Verfassung sind. Falls Sie müde sind, lässt Ihre Aufmerksamkeit nach. Seien Sie am Ende eines Arbeitstages besonders aufmerksam. Führen Sie alle Arbeiten ruhig und mit Vorsicht aus. Der Anwender ist für alle Schäden an Dritten verantwortlich.
8. Verwenden Sie die Heckenschere niemals unter Einfluss von Alkohol, Drogen oder Medikamenten.
9. Arbeitshandschuhe aus festem Leder sind Teil der Grundausstattung der Heckenschere und müssen stets bei Arbeiten mit der Heckenschere getragen werden. Tragen Sie außerdem feste Schuhe mit rutschfesten Sohlen.
10. Überprüfen Sie vor Beginn der Arbeiten, dass die Heckenschere ordnungsgemäß und sicher arbeitet. Stellen Sie sicher, dass die Sicherheitsabdeckungen ordnungsgemäß angebracht sind. Die Heckenschere darf nur vollständig montiert verwendet werden.
11. Überprüfen Sie vor Beginn der Arbeiten, dass Sie einen sicheren Stand haben.
12. Halten Sie das Werkzeug bei Verwendung sicher fest.
13. Lassen Sie das Gerät nicht unnötig ohne Last laufen.
14. Schalten Sie den Motor sofort aus und ziehen Sie den Akkublock ab, wenn die Schere mit einem Zaun oder einem anderen harten Gegenstand in Kontakt kam.

- Überprüfen Sie die Schere auf Beschädigungen, und reparieren Sie sie bei Bedarf.
15. Schalten Sie die Heckenschere stets aus und ziehen Sie den Akkublock ab, bevor Sie die Schere überprüfen. Fehler beheben oder in der Schere verklebtes Material entfernen.
  16. Schalten Sie die Heckenschere aus und ziehen Sie den Akkublock ab, bevor Sie Wartungsarbeiten am Werkzeug ausführen.
  17. Ziehen Sie stets den Akkublock und bringen Sie stets die Schneidblattabdeckung auf den Schneidblättern an, wenn Sie die Heckenschere an einen anderen Ort umsetzen, auch im Verlauf der Arbeiten. Tragen oder transportieren Sie die Heckenschere niemals mit laufendem Schneidmesser. Fassen Sie die Schneidmesser niemals mit den Händen an.
  18. Reinigen Sie die Heckenschere und besonders das Schneidblatt nach der Verwendung und vor der Lagerung der Heckenschere über einen längeren Zeitraum. Ölen Sie das Schneidblatt leicht und bringen Sie die Abdeckung an. Die mit dem Gerät gelieferte Abdeckung kann an die Wand gehängt werden und bietet so eine sichere und praktische Möglichkeit zur Lagerung der Heckenschere.
  19. Lagern Sie die Heckenschere mit angebrachter Abdeckung in einem trockenen Raum. Lagern Sie die Heckenschere außerhalb der Reichweite von Kindern. Lagern Sie die Heckenschere niemals im Freien.

## BEWAHREN SIE DIESE ANLEITUNG SORGFÄLTIG AUF.

### **WARNUNG:**

**Lassen Sie sich NIE durch Bequemlichkeit oder (aus fortwährendem Gebrauch gewonnener) Vertrautheit mit dem Werkzeug dazu verleiten, die Sicherheitsregeln für das Werkzeug zu missachten. Bei MISSBRÄUCHLICHER Verwendung des Werkzeugs oder bei Missachtung der in diesem Handbuch enthaltenen Sicherheitshinweise kann es zu schweren Verletzungen kommen.**

## WICHTIGE SICHERHEITSREGELN

ENC007-9

### FÜR AKKUBLOCK

1. **Lesen Sie vor der Verwendung des Akkublocks alle Anweisungen und Sicherheitshinweise für das Akkuladegerät (1), den Akku (2) und das Produkt (3), für das der Akku verwendet wird, sorgfältig durch.**
2. **Der Akkublock darf nicht zerlegt werden.**
3. **Falls die Betriebsdauer erheblich kürzer wird, beenden Sie den Betrieb umgehend. Andernfalls besteht die Gefahr einer Überhitzung sowie das Risiko möglicher Verbrennungen und sogar einer Explosion.**
4. **Wenn Elektrolyt in Ihre Augen gerät, waschen Sie diese mit klarem Wasser aus und suchen Sie sofort einen Arzt auf. Andernfalls können Sie Ihre Sehfähigkeit verlieren.**
5. **Vermeiden Sie einen Kurzschluss des Akkublocks:**

- (1) Die Kontakte dürfen nicht mit leitendem Material in Berührung kommen.
- (2) Der Akkublock darf nicht in einem Behälter aufbewahrt werden, in dem sich andere metallische Gegenstände wie beispielsweise Nägel, Münzen usw. befinden.
- (3) Der Akkublock darf weder Feuchtigkeit noch Regen ausgesetzt werden.  
Ein Kurzschluss des Akkus kann zu hohem Kriechstrom, Überhitzung, möglichen Verbrennungen und sogar zu einer Zerstörung des Werkzeugs führen.
6. Werkzeug und Akkublock dürfen nicht an Orten aufbewahrt werden, an denen Temperaturen von 50°C oder darüber erreicht werden können.
7. Beschädigte oder verbrauchte Akkus dürfen nicht verbrannt werden. Der Akkublock kann in den Flammen explodieren.
8. Lassen Sie den Akku nicht fallen und vermeiden Sie Schläge gegen den Akku.
9. Verwenden Sie niemals einen beschädigten Akku.
10. Befolgen Sie die in Ihrem Land geltenden Bestimmungen bzgl. der Entsorgung von Akkus.

## BEWAHREN SIE DIESE ANLEITUNG SORGFÄLTIG AUF.

### Tipps für eine maximale Nutzungsdauer von Akkus

1. Laden Sie den Akkublock auf, bevor der Akku vollständig entladen ist.  
Sobald Sie eine verringerte Leistung des Werkzeugs bemerken, beenden Sie stets den Betrieb des Werkzeugs und laden Sie den Akkublock auf.
2. Ein voll aufgeladener Akkublock darf niemals erneut geladen werden.  
Durch Überladungen wird die Lebensdauer des Akkus verkürzt.
3. Laden Sie den Akkublock bei einer Zimmertemperatur von 10°C bis 40°C auf. Lassen Sie einen heißen Akkublock vor dem Aufladen abkühlen.
4. Laden Sie den Akkublock auf, wenn Sie diesen für längere Zeit nicht verwenden (mehr als sechs Monate).

## FUNKTIONSBESCHREIBUNG

### ⚠️ ACHTUNG:

- Schalten Sie das Werkzeug stets aus und entfernen Sie den Akkublock, bevor Sie Einstellungen oder eine Funktionsprüfung des Werkzeugs vornehmen.

### Einsetzen und Abnehmen des Akkublocks (Abb. 1)

#### ⚠️ ACHTUNG:

- Schalten Sie das Werkzeug stets aus, bevor Sie den Akkublock einsetzen oder abnehmen.
- Halten Sie das Werkzeug und den Akkublock sicher fest, wenn Sie den Akkublock einsetzen oder herausnehmen. Andernfalls könnte Ihnen das

Werkzeug oder der Akkublock aus den Händen fallen, sodass das Werkzeug oder der Akkublock beschädigt werden oder diese Verletzungen verursachen.

Zum Abnehmen des Akkublocks müssen Sie die Taste auf der Vorderseite des Akkublocks schieben und gleichzeitig den Akkublock aus dem Werkzeug herausziehen.

Zum Einsetzen des Akkublocks müssen Sie die Zunge des Akkublocks an der Rille im Gehäuse ausrichten und in die gewünschte Position schieben. Setzen Sie den Akkublock ganz ein, bis er mit einem Klick einrastet. Wenn Sie den roten Bereich oben auf der Taste sehen können, ist der Akkublock nicht ganz eingerastet.

#### ⚠️ ACHTUNG:

- Setzen Sie den Akkublock unbedingt ganz ein, bis der rote Bereich nicht mehr zu sehen ist. Andernfalls kann der Akkublock versehentlich aus dem Werkzeug fallen und Sie oder umstehende Personen verletzen.
- Wenden Sie beim Einsetzen des Akkublocks keine Gewalt an. Wenn der Akkublock nicht leicht hineingleitet, ist er nicht richtig angesetzt.

### Akku-Schutzsystem (Lithium-Ionen-Akku ist mit einem Stern gekennzeichnet) (Abb. 2)

Mit einem Stern gekennzeichnete Lithium-Ionen-Akkus verfügen über ein Schutzsystem. Dieses System schaltet die Stromversorgung des Werkzeugs automatisch aus, um die Lebensdauer des Akkus zu verlängern.

Unter folgenden Bedingungen des Werkzeugs und/oder des Akkus kann das Werkzeug während des Betriebs automatisch stoppen:

- Überlastet:  
Das Werkzeug wird auf eine Weise betrieben, die zu einer anormal hohen Stromaufnahme führt. Lassen Sie in dieser Situation den Ein/Aus-Schalter des Werkzeugs los und beenden Sie die Arbeiten, die zu der Überlastung des Werkzeugs geführt haben. Betätigen Sie anschließend den Ein/Aus-Schalter wieder, um das Werkzeug wieder in Betrieb zu nehmen.  
Wenn das Werkzeug nicht startet, ist der Akku überhitzt. Lassen Sie in dieser Situation den Akku erst abkühlen, bevor Sie wieder den Ein/Aus-Schalter betätigen.
- Spannung des Akkus zu niedrig:  
Die noch vorhandene Akkuladung ist zu niedrig, und das Werkzeug startet nicht. Entnehmen Sie in dieser Situation den Akku und laden Sie den Akku wieder auf.

### Anzeigen der Restladung des Akkus

(Nur für Akkublocke mit einem „B“ am Ende der Modellnummer.) (Abb. 3)

Drücken Sie zum Anzeigen der Restladung des Akkus die Akkuprüftaste. Die Anzeigenlampen leuchten dann wenige Sekunden lang auf.

| Anzeigelampen |     |        | Verbleibende Akkuladung                        |
|---------------|-----|--------|--|
| Leuchtet      | Aus | Blinkt |  |
|               |     |        | 75% bis 100%                                   |
|               |     |        | 50% bis 75%                                    |
|               |     |        | 25% bis 50%                                    |
|               |     |        | 0% bis 25%                                     |
|               |     |        | Laden Sie den Akku auf.                        |
|               |     |        | Möglicherweise liegt ein Defekt des Akkus vor. |

015658

#### HINWEIS:

- In Abhängigkeit von den Bedingungen bei Gebrauch und von der Umgebungstemperatur kann der angezeigte Ladezustand geringfügig vom tatsächlichen Ladezustand abweichen.

#### Einschalten

##### ⚠ ACHTUNG:

- Achten Sie vor dem Einsetzen des Akkublocks in das Werkzeug darauf, dass sich der Ein/Aus-Schalter korrekt bedienen lässt und beim Loslassen in die Position „OFF“ (AUS) zurückkehrt. **(Abb. 4)**

Zu Ihrer Sicherheit ist das Werkzeug mit einem Zweifach-Schaltersystem ausgestattet. Zum Einschalten des Werkzeugs drücken Sie die Arretiertaste und die Auslöser A und B. Lassen Sie zum Ausschalten einen der zwei gedrückten Auslöser los. Die Reihenfolge der Schalterbetätigung ist unwichtig, da das Gerät nur startet, wenn beide Schalter betätigt werden.

#### Anzeige (Abb. 5)

Bei eingeschaltetem Werkzeug zeigt die Anzeige den Ladezustand des Akkublocks an.

Wenn das Werkzeug überlastet wurde und während des Betriebs ausgeschaltet hat, leuchtet die Anzeige rot. Die verschiedenen Anzeigen und die entsprechenden Vorgehensweisen finden Sie in der folgenden Tabelle:

| Anzeige                               | Status   | Auszuführende Maßnahme                      |
|---------------------------------------|--|---|
| Die Anzeige blinkt rot.               | Dies bedeutet, dass der Akkublock nahezu entladen ist und ausgetauscht werden muss.      | Laden Sie den Akkublock möglichst bald auf. |
| Die Anzeige leuchtet rot. (Hinweis 1) | Dies bedeutet, dass der Akkublock leer ist. Das Werkzeug wird dann sofort ausgeschaltet. | Laden Sie den Akkublock auf.                |
| Die Anzeige leuchtet rot. (Hinweis 1) | Automatisches Ausschalten wegen Überlastung  | Schalten Sie das Werkzeug aus.              |

Hinweis 1: Bei welchem Ladezustand die Anzeige aufleuchtet, ist von der Temperatur am Arbeitsort und vom Zustand des Akkublocks abhängig.

010970

## BETRIEB

### ⚠ ACHTUNG:

- Achten Sie darauf, dass Sie während des Schneidens nicht versehentlich mit einem metallischen Anschlag oder anderen harten Gegenständen in Berührung kommen. Das Schneidmesser kann brechen und schwere Verletzungen verursachen.
- Das weite Hinauslehnen mit einer Heckenschere, vor allem von einer Leiter aus, ist äußerst gefährlich. Arbeiten Sie niemals von einem wackligen oder unsichern Standort aus. **(Abb. 6)**

Schneiden Sie mit dieser Heckenschere keine Äste mit einer Dicke von mehr als 10 mm Durchmesser. Solche Äste sollten zuerst mit einer Schere auf das Niveau der Heckenschere geschnitten werden.

### ⚠ ACHTUNG:

- Schneiden Sie keine toten Äste oder ähnliche harte Gegenstände ab. Anderenfalls kann das Werkzeug beschädigt werden. **(Abb. 7)**

Halten Sie die Heckenschere mit beiden Händen und betätigen Sie den Schalter A oder B. Bewegen Sie anschließend die Heckenschere vor Ihrem Körper. **(Abb. 8)**

Neigen Sie die Schneidmesser in Richtung der Schneidrichtung und bewegen Sie die Heckenschere ruhig und langsam mit einer Geschwindigkeit von 3 bis 4 Sekunden pro Meter. **(Abb. 9)**

Zum geraden Schneiden einer Heckenoberkante können Sie eine Schnur in der gewünschten Heckenhöhe spannen und diese beim Schneiden als Referenzlinie verwenden. **(Abb. 10)**

Befestigen Sie beim Schneiden der Heckengerade die Spanaufnahme (Sonderzubehör) am Werkzeug, um ein Umherfliegen der Blätter zu vermeiden. **(Abb. 11)**

Zum gleichmäßigen Schneiden der Heckenseite schneiden Sie diese von unten nach oben. **(Abb. 12)** Schneiden Sie Buchsbaum oder Rhododendron für ein hübsches Aussehen und einen guten Schnitt von der Basis zur Spitze.

## Montage und Demontage der Spanaufnahme (Sonderzubehör)

### **ACHTUNG:**

- Schalten Sie das Werkzeug aus und ziehen Sie den Stecker, bevor Sie die Spanaufnahme einsetzen oder entfernen.

### **HINWEIS:**

- Tragen Sie beim Austauschen der Spanaufnahme immer Arbeitshandschuhe, sodass Sie das Schneidmesser nicht direkt mit den Händen berühren. Anderenfalls kann es zu Verletzungen kommen.
- Achten Sie vor dem Einsetzen der Spanaufnahme darauf, dass Sie die Schneidblattabdeckung entfernt haben.
- Die Spanaufnahme fängt die abgeschnittenen Blätter auf und erleichtert das Aufsammeln der abgefallenen Blätter. Dies kann an jeder Seite des Werkzeugs erfolgen. (**Abb. 13**)

Drücken Sie die Spanaufnahme auf die Schneidblätter, sodass die Schlitzte die Muttern auf den Schneidblättern überdecken. (**Abb. 14**)

Zu diesem Zeitpunkt müssen Sie die Spanaufnahme anbringen, damit die Haken in die Kerben im Schneidblatt passen. (**Abb. 15**)

Zum Entfernen der Spanaufnahme drücken Sie den Hebel an beiden Seiten, sodass die Haken freigegeben werden.

### **ACHTUNG:**

- Die Schneidblattabdeckung (Standardausrüstung) kann bei angebrachter Spanaufnahme nicht montiert werden. Entfernen Sie vor dem Transport oder der Lagerung die Spanaufnahme und bringen Sie die Schneidblattabdeckung an, um ein Freiliegen des Blattes zu vermeiden.

### **HINWEIS:**

- Prüfen Sie vor der Verwendung die sichere Installation der Spanaufnahme.
- Wenden Sie beim Entfernen der Spanaufnahme keine übermäßigen Kräfte an, wenn die Haken in den Blattkerben eingerastet sind. Die Anwendung übermäßiger Kräfte kann zu Beschädigungen führen.

## WARTUNG

### **ACHTUNG:**

- Schalten Sie das Werkzeug stets aus und ziehen Sie den Akkublock ab, bevor Sie Inspektionen oder Wartungsarbeiten am Werkzeug vornehmen.

## Reinigen des Werkzeugs

Reinigen Sie das Werkzeug, indem Sie den Staub mit einem trockenen oder in Seifenlösung getunkten Lappen abwischen.

### **ACHTUNG:**

- Verwenden Sie zum Reinigen niemals Kraftstoffe, Benzin, Verdünner, Alkohol oder ähnliches. Dies kann zu Verfärbungen, Verformungen oder Rissen führen.

## Wartung des Sägeblatts

Schmieren Sie das Blatt vor dem Betrieb und nach jeder Betriebsstunde mit Maschinenöl oder ähnlichem.

### **HINWEIS:**

- Nehmen Sie vor dem Schmieren des Messers die Spanaufnahme ab.

Entfernen Sie nach dem Betrieb den Staub von beiden Seiten des Blattes mit einer Drahtbürste, wischen Sie den Staub mit einem Lappen ab und tragen Sie anschließend dünnflüssiges Öl, z.B. Maschinenöl usw., oder Sprühschmieröl auf.

### **ACHTUNG:**

- Waschen Sie die Blätter nicht mit Wasser ab. Anderenfalls können die Messer rosten und das Werkzeug kann beschädigt werden.

## Montage und Demontage des Schneidblatts

### **ACHTUNG:**

- Schalten Sie das Werkzeug aus und ziehen Sie den Akkublock ab, bevor Sie das Schneidblatt an- oder abbauen.
- Tragen Sie beim Austauschen des Schneidblattes immer Arbeitshandschuhe und entfernen Sie die Blattabdeckung nicht, sodass Sie das Schneidblatt nicht direkt mit den Händen berühren. Anderenfalls kann es zu Verletzungen kommen.

### **HINWEIS:**

- Wischen Sie vom Zahnrad und von der Kurbelwelle keine Schmiere ab. Zuwiderhandlungen können das Werkzeug beschädigen.

## Entfernen der Schneidblätter (Abb. 16)

Drehen Sie das Werkzeug um, lösen Sie die vier Schrauben und nehmen Sie die untere Abdeckung ab.

### **HINWEIS:**

- Achten Sie darauf, dass Sie sich Ihre Hände nicht beschmieren, denn im Antriebsbereich des Schneidblattes wurde Schmiermittel aufgetragen. (**Abb. 17**)

Lösen Sie die vier Schrauben, und nehmen Sie die Schneidblätter ab. Nehmen Sie die Unterlegscheibe und den Schaumstoff von den Schneidblättern ab und legen Sie dies beiseite. Dies wird für den späteren Einbau benötigt. (**Abb. 18**)

Falls die Hülsen in den Löchern im Zahnrad verbleiben, entfernen Sie das Zahnrad und drücken Sie die Hülsen mit einem Schraubendreher oder ähnlichem heraus.

### **HINWEIS:**

Die Unterlegscheibe unter dem Zahnrad kommt möglicherweise beim Entnehmen des Zahnrads mit heraus. Setzen Sie sie wieder in die ursprüngliche Position ein.

## Einbauen des Schneidblatts (Abb. 19)

Nehmen Sie die Blattabdeckung von den alten Schneidblättern ab und passen Sie diese auf die neuen an, um einen Kontakt mit den Blättern zu vermeiden. (**Abb. 20**)

Passen Sie die Lochpositionen durch Drehen des Zahnrads an. (**Abb. 21 und 22**)

Tragen Sie etwas Schmiermittel auf die neuen Schneidblätter auf. (**Abb. 23**)

Setzen Sie den entfernten Schaumstoff in die gleiche Position wie vorher ein. Stellen Sie sicher, dass die mit

den neuen Schneidblättern gelieferten Hülsen auf die Stifte am Schneidblatt aufgesetzt sind. Platzieren Sie die neuen Schneidblätter so auf dem Werkzeug, dass die Stifte in die Löcher am Zahnrad passen. Falls die Hülsen auf den Stiften versehentlich entfernt wurden, setzen Sie diese vorher wieder in die Löcher im Zahnrad ein.

#### (Abb. 24)

Befestigen Sie das Schneidblatt und ziehen Sie die vier Schrauben fest. Setzen Sie die entfernte Unterlegscheibe wieder in die gleiche Position wie die alte ein. (Abb. 25) Befestigen Sie die untere Abdeckung am Werkzeug und ziehen Sie die vier Schrauben fest.

## Aufbewahrung

Zum Aufhängen des Werkzeugs an einem Nagel oder einer Schraube in der Wand ist der Hakendurchbruch im unteren Bereich der Messerabdeckung praktisch.

#### (Abb. 26)

Nehmen Sie den Akkublock heraus und bringen Sie die Messerabdeckung auf den Schneidblättern an, damit die Messer nicht frei liegen. Bewahren Sie das Werkzeug außerhalb der Reichweite von Kindern auf. Bewahren Sie das Werkzeug an einem Platz auf, an dem es weder Wasser noch Regen ausgesetzt ist. Zur Gewährleistung von SICHERHEIT und ZUVERLÄSSIGKEIT des Produkts sollten Reparaturen, Wartungsarbeiten und Einstellungen nur durch von Makita autorisierte Servicecenter durchgeführt und ausschließlich Makita-Ersatzteile verwendet werden.

## SONDERZUBEHÖR

### ⚠️ ACHTUNG:

- Für das in diesem Handbuch beschriebene Makita-Gerät werden die folgenden Zubehör- und Zusatzteile empfohlen. Bei Verwendung anderer Zubehör- und Zusatzteile kann es zu Verletzungen kommen. Verwenden Sie Zubehör- und Zusatzteile nur für den vorgesehenen Zweck.

Informationen zu diesem Zubehör erhalten Sie von Ihrem Makita-Servicecenter.

- Schneidschwertschutz
- Schneidblatt-Baugruppe
- Originalakku und Ladegerät von Makita
- Spanaufnehmer

### HINWEIS:

- Einige der in der Liste aufgeführten Elemente sind dem Werkzeugpaket als Standardzubehör beigelegt. Diese können in den einzelnen Ländern voneinander abweichen.

### Schallpegel

ENG905-1

Typischer A-bewerteter Schallpegel nach EN60745:

#### Modell DUH481, DUH483, DUH521

Schalldruckpegel ( $L_{pA}$ ): 75 dB (A)

Abweichung (K): 2,5 dB (A)

Unter Arbeitsbedingungen kann der Schalldruck 80 dB (A) überschreiten.

#### Modell DUH523

Schalldruckpegel ( $L_{pA}$ ): 77 dB (A)

Abweichung (K): 2,5 dB (A)

Unter Arbeitsbedingungen kann der Schalldruck 80 dB (A) überschreiten.

**Tragen Sie Gehörschutz.**

## Schwungung

ENG900-1

Schwungungsgesamtwerte (Vektorsumme dreier Achsen) nach EN60745:

Arbeitsmodus: Heckenschnitt

Schwungungsbelastung ( $a_h$ ): 2,5 m/s<sup>2</sup> oder weniger

Abweichung (K): 1,5 m/s<sup>2</sup>

ENG901-1

- Der hier angegebene Wert für die erzeugten Schwingungen wurde gemäß dem genannten Testverfahren ermittelt und kann als Vergleich zu anderen Werkzeugen herangezogen werden.
- Der angegebene Wert für die erzeugten Schwingungen ist außerdem für eine vorbeugende Bewertung der Belastung zu verwenden.

### ⚠️ WARNUNG:

- Die Schwingungsbelastung kann bei tatsächlichem Gebrauch des Elektrowerkzeugs in Abhängigkeit von der Handhabung des Elektrowerkzeugs von dem hier aufgeführten Wert abweichen.
- Stellen Sie sicher, dass Schutzmaßnahmen für den Bediener getroffen werden, die auf den unter den tatsächlichen Arbeitsbedingungen zu erwartenden Belastungen beruhen (beziehen Sie alle Bestandteile des Arbeitsablaufs ein, also zusätzlich zu den Arbeitszeiten auch Zeiten, in denen das Werkzeug ausgeschaltet ist oder ohne Last läuft).

### Nur für europäische Länder

ENH040-4

### EG-Konformitätserklärung

#### Makita erklärt, dass die nachfolgende(n) Maschine(n):

Bezeichnung der Maschine(n):

Akku-Heckenschere

Nummer/Typ des Modells: DUH481, DUH483,

DUH521, DUH523

Spezifikationen: siehe Tabelle „SPEZIFIKATIONEN“.

#### den folgenden Richtlinien der Europäischen Union genügt/genügen:

2000/14/EG, 2006/42/EG

Sie werden gemäß den folgenden Standards oder Normen gefertigt:

EN60745

Die technischen Unterlagen gemäß 2006/42/EG sind erhältlich von:

Makita, Jan-Baptist Vinkstraat 2, 3070, Belgien

Das Verfahren zur Konformitätsbewertung, vorgesehen in 2000/14/EG, erfolgte in Übereinstimmung mit Anhang V.

Modell DUH481

Gemessener Schalleistungspegel: 83,2 dB (A)

Garantierter Schalleistungspegel: 86 dB (A)

Modell DUH483

Gemessener Schalleistungspegel: 83,8 dB (A)

Garantierter Schalleistungspegel: 88 dB (A)

Modell DUH521

Gemessener Schalleistungspegel: 82,9 dB (A)

Garantierter Schalleistungspegel: 86 dB (A)



Modell DUH523

Gemessener Schallleistungspegel: 84,3 dB (A)

Garantierter Schallleistungspegel: 89 dB (A)

28. 4. 2015

A handwritten signature in black ink, appearing to read 'Yasushi Fukaya'.

Yasushi Fukaya

Direktor

Makita, Jan-Baptist Vinkstraat 2, 3070, Belgien



## ITALIANO (Istruzioni originali)

### Spiegazione della vista generale

- |                                 |  |                         |
|---------------------------------|--|-------------------------|
| 1. Indicatore rosso             | 12. Superficie della siepe da potare   | 23. Sbloccare i ganci   |
| 2. Pulsante                     | 13. Inclinare le lame                  | 24. Viti                |
| 3. Batteria                     | 14. Spago                              | 25. Coperchio inferiore |
| 4. Contrassegno a stella        | 15. Premere                            | 26. Spugna              |
| 5. Spie luminose                | 16. Raccoglitore di residui            | 27. Rondella            |
| 6. Pulsante di controllo        | 17. Dado                               | 28. Ingranaggio         |
| 7. Interruttore di accensione A | 18. Lama da taglio                     | 29. Manicotti           |
| 8. Interruttore di accensione B | 19. Ganci                              | 30. Scanalatura         |
| 9. Sicura di accensione         | 20. Inserire i ganci nelle fessure     | 31. Coprilama           |
| 10. Spia luminosa               | 21. Fessure                            | 32. Grasso              |
| 11. Direzione di potatura       | 22. Premere le leve su entrambi i lati | 33. Lama                |

## CARATTERISTICHE TECNICHE

| Modello                              | DUH481             |                              | DUH483                                    |  | DUH521             |                              | DUH523                                    |  |
|--------------------------------------|--------------------|------------------------------|---|--|--------------------|------------------------------|---|--|
| Lunghezza lama                       | 480 mm             |                              |   |  | 520 mm             |                              |   |  |
| Colpi al minuto (min <sup>-1</sup> ) | 1.350              |                              |   |  |                    |                              |   |  |
| Tensione nominale                    | 14,4 V CC          |                              | 18 V CC                                   |  | 14,4 V CC          |                              | 18 V CC                                   |  |
| Lunghezza totale                     | 869 mm             | 881 mm                       | 873 mm                                    | 888 mm   | 919 mm             | 931 mm                       | 923 mm                                    | 938 mm   |
| Peso netto                           | 2,9 kg             | 3,1 kg                       | 3,0 kg                                    | 3,2 kg   | 3,0 kg             | 3,2 kg                       | 3,0 kg                                    | 3,3 kg   |
| Batteria                             | BL1415/<br>BL1415N | BL1430/<br>BL1440/<br>BL1450 | BL1815/<br>BL1815N/<br>BL1820/<br>BL1820B | BL1830/<br>BL1840/<br>BL1840B/<br>BL1850/<br>BL1850B | BL1415/<br>BL1415N | BL1430/<br>BL1440/<br>BL1450 | BL1815/<br>BL1815N/<br>BL1820/<br>BL1820B | BL1830/<br>BL1840/<br>BL1840B/<br>BL1850/<br>BL1850B |
| Caricabatteria                       | DC18RC, DC18SD     |                              |   |  |                    |                              |   |  |

- Le caratteristiche tecniche riportate di seguito sono soggette a modifiche senza preavviso in virtù del nostro programma continuo di ricerca e sviluppo.
- Le caratteristiche tecniche e le batterie possono differire da paese a paese.
- Peso, comprensivo di batterie, calcolato in base alla Procedura EPTA 01/2003

### Simboli

END013-4

Di seguito sono riportati i simboli utilizzati per l'apparecchio. È importante comprenderne il significato prima dell'uso.



..... Leggere il manuale di istruzioni.



..... Evitare l'esposizione alla pioggia.



..... Solo per Paesi UE

Non gettare le apparecchiature elettriche o le batterie tra i rifiuti domestici.

Secondo le Direttive Europee sui rifiuti di apparecchiature elettriche ed elettroniche, su batterie e accumulatori e sui rifiuti di batterie e di accumulatori, e la sua attuazione in conformità alle norme nazionali, le apparecchiature elettriche e le batterie esauste devono essere raccolte separatamente, al fine di essere riciclate in modo eco-compatibile.

### Uso previsto

ENE014-1

L'utensile è progettato per la potatura delle siepi.

## Avvertenze generali di sicurezza per l'uso dell'utensile

GEA010-1



**AVVERTENZA** Leggere attentamente tutte le avvertenze di sicurezza e le istruzioni. La mancata osservanza delle istruzioni e delle avvertenze riportate di seguito potrebbe provocare scosse elettriche, incendi e/o lesioni gravi.

## Conservare le avvertenze e le istruzioni per riferimenti futuri.

## AVVERTENZE DI SICUREZZA PER IL TAGLIESIEPI A BATTERIA

GEB062-5

- Mantenere tutte le parti del corpo lontane dalla lama. Non rimuovere il materiale tagliato e non sorreggere il materiale da tagliare mentre le lame sono in movimento. Assicurarsi che l'interruttore sia spento prima di liberare il materiale incastrato.** Un momento di disattenzione durante l'uso del tagliesiepi può provocare gravi lesioni personali.
- Trasportare il tagliesiepi afferrandolo per l'impugnatura e con la lama da taglio ferma.**

### **Quando si trasporta o si ripone il tagliasièpi,**

**inserire sempre il coprilama.** La corretta manipolazione del tagliasièpi riduce la possibilità di gravi infortuni provocati dalle lame di taglio.

- Impugnare l'utensile esclusivamente dalle superfici di presa isolate, poiché la lama di taglio potrebbe venire a contatto con conduttori nascosti.** Se le lame di taglio entrano in contatto con un filo percorso da corrente, le parti metalliche esposte dell'utensile si troveranno anch'esse sotto tensione e potrebbero provocare scariche elettriche sull'operatore.
- Non usare il tagliasièpi sotto la pioggia o in condizioni di forte umidità. Il motore elettrico non è impermeabile.
- Gli utenti alle prime armi dovrebbero fare affidamento su una persona esperta per imparare a utilizzare il tagliasièpi.
- L'uso del tagliasièpi non è consentito ai minori di 18 anni. Tale restrizione non si estende agli operatori con un'età superiore ai 16 anni opportunamente istruiti da un utente esperto.
- Il tagliasièpi deve essere utilizzato solo da persone in buone condizioni fisiche. La stanchezza può ridurre il livello di attenzione. Prestare particolare attenzione al termine di una giornata di lavoro. Eseguire il lavoro con calma e attenzione. L'utente è responsabile per qualsiasi danno a terzi.
- Non utilizzare l'utensile da taglio se si è sotto l'influenza di alcol, droghe o farmaci.
- Guanti di lavoro in cuoio robusto fanno parte dell'equipaggiamento di base del tagliasièpi e devono essere sempre indossati durante il lavoro. Indossare anche scarpe robuste con suola antiscivolo.
- Prima di cominciare il lavoro, assicurarsi che l'utensile da taglio sia in condizioni sicure e ottimali. Verificare che le protezioni siano installate correttamente. Il tagliasièpi deve essere utilizzato solo se completamente montato.
- Assumere una posizione stabile e sicura prima di iniziare il lavoro.
- Sorreggere saldamente l'utensile durante l'uso.
- Non azionare inutilmente l'utensile a vuoto.
- Spegnere immediatamente il motore e rimuovere la batteria se la lama dovesse entrare in contatto con una palizzata o un altro oggetto rigido. Ispezionare la lama e, in caso di danni, ripararla immediatamente.
- Spegnere sempre l'utensile da taglio e rimuovere la batteria prima di ispezionare la lama, riparare i guasti o rimuovere il materiale incastrato nella lama.
- Spegnere l'utensile da taglio e rimuovere la batteria prima di eseguire qualsiasi lavoro di manutenzione.
- Quando il tagliasièpi viene spostato in un altro luogo, anche durante il lavoro, rimuovere sempre la batteria e applicare la copertura sulle lame di taglio. Non trasportare o spostare l'utensile da taglio mentre la lama è in funzione. Non afferrare la lama da taglio con le mani.
- Pulire il tagliasièpi, specialmente la lama, dopo l'uso e prima di riporre l'utensile da taglio per periodi prolungati. Oliare leggermente la lama da taglio e applicare la copertura. La copertura in dotazione con l'unità può essere appesa al muro, garantendo un metodo sicuro e pratico per riporre il tagliasièpi.

- Riporre il tagliasièpi in un luogo asciutto e con la copertura installata. Tenere fuori dalla portata dei bambini. Non riporre mai l'utensile da taglio all'aperto.

## **CONSERVARE QUESTE ISTRUZIONI.**

### **⚠ AVVERTENZA:**

**NON lasciare che la familiarità acquisita con il prodotto (dovuta all'uso ripetuto) provochi l'inosservanza delle norme di sicurezza. L'USO IMPROPRIO o la mancata osservanza delle norme di sicurezza indicate in questo manuale di istruzioni possono provocare gravi danni alla persona.**

## **ISTRUZIONI IMPORTANTI PER LA SICUREZZA**

ENC007-9

### **RELATIVE ALLA BATTERIA**

- Prima di utilizzare la batteria, leggere tutte le istruzioni e gli avvisi di sicurezza relativi a (1) caricabatteria, (2) batteria e (3) prodotto utilizzato con la batteria.**
- Non smontare la batteria.**
- Se il tempo di funzionamento è diventato eccessivamente breve, non utilizzare l'utensile. Potrebbero verificarsi surriscaldamenti, ustioni o esplosioni.**
- In caso di contatto dell'elettrolita della batteria con gli occhi, sciacquare con acqua fresca e rivolgersi immediatamente a un medico. Potrebbero verificarsi danni permanenti alla funzionalità visiva.**
- Non cortocircuitare la batteria:**
  - Non toccare i terminali della batteria con materiale in grado di condurre elettricità.**
  - Evitare di conservare la batteria a contatto con oggetti metallici quali chiodi, monete e così via.**
  - Non esporre le batterie all'acqua o alla pioggia. Un cortocircuito può provocare un elevato flusso di corrente, surriscaldamento, ustioni o rotture.**
- Non conservare l'utensile e la batteria a una temperatura superiore a 50 °C.**
- Evitare di smaltire le batterie danneggiate o esaurite bruciandole. Se esposte al fuoco, le batterie possono esplodere.**
- Evitare di far cadere o di colpire la batteria.**
- Non utilizzare batterie danneggiate.**
- Attenersi alle normative della propria area geografica relative allo smaltimento delle batterie.**

## **CONSERVARE QUESTE ISTRUZIONI.**

### **Suggerimenti per il prolungamento della durata della batteria**

- Caricare le batterie prima di scaricarle completamente.**  
**Se si nota una diminuzione di potenza**

dell'utensile, interrompere il lavoro e ricaricare la batteria.

2. **Non ricaricare una batteria già completamente carica.**  
In caso contrario, la durata operativa della batteria potrebbe ridursi.
3. **Caricare la batteria in ambienti con temperatura compresa tra 10 °C e 40 °C. Prima di caricare una batteria surriscaldata, lasciarla raffreddare.**
4. **Caricare la batteria qualora non venga utilizzata per un lungo periodo (superiore a sei mesi).**

## DESCRIZIONE FUNZIONALE

### ⚠ ATTENZIONE:

- Prima di regolare o controllare le funzioni dell'utensile, verificare sempre di averlo spento e di aver rimosso la batteria.

### Installazione o rimozione della batteria (Fig. 1)

#### ⚠ ATTENZIONE:

- Prima di inserire o rimuovere la batteria, spegnere sempre l'utensile.
- **Durante l'inserimento o la rimozione della batteria, tenere saldamente l'utensile e la batteria stessa.** In caso contrario potrebbero scivolare dalle mani, con conseguenti danni all'utensile, alla batteria e alla persona.

Per rimuovere la batteria è sufficiente estrarla dall'utensile facendo scorrere il pulsante sulla parte anteriore della batteria.

Per inserire la batteria, allineare la linguetta della batteria con la scanalatura nell'alloggiamento e farla scorrere in posizione. Inserire a fondo la batteria fino a bloccarla in posizione con uno scatto. Se è visibile l'indicatore rosso sul lato superiore del pulsante, significa che la batteria non è completamente inserita.

#### ⚠ ATTENZIONE:

- Inserire a fondo la batteria fino alla scomparsa dell'indicatore rosso. In caso contrario la batteria potrebbe fuoriuscire accidentalmente dall'utensile, provocando danni all'operatore o a eventuali osservatori.
- Non forzare l'inserimento della batteria. Se la batteria non scorre agevolmente, significa che la manovra di inserimento non è corretta.

### Sistema di protezione della batteria (batteria agli ioni di litio con contrassegno a stella) (Fig. 2)

Le batterie agli ioni di litio con contrassegno a stella sono dotate di una sistema di protezione. Questo sistema interrompe automaticamente l'alimentazione dell'utensile per prolungare la durata della batteria.

L'utensile viene spento automaticamente durante l'uso se l'utensile stesso e/o la batteria vengono utilizzati in una delle condizioni riportate di seguito:

- **Sovraccarico:**  
La modalità d'uso dell'utensile provoca un assorbimento anomalo di corrente.  
In questa situazione occorre rilasciare l'interruttore di

accensione dell'utensile e interrompere l'operazione che ne ha provocato il sovraccarico. Azionare di nuovo l'interruttore di accensione per riavviare l'utensile.

In caso di mancato avvio dell'utensile, si è verificato un surriscaldamento della batteria. In questa situazione occorre far raffreddare la batteria prima di azionare nuovamente l'interruttore di accensione.









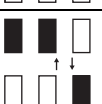
- **Bassa tensione della batteria:**

La capacità residua della batteria è troppo bassa e non consente di utilizzare l'utensile. In questo caso occorre rimuovere e ricaricare la batteria.

### Indicazione della capacità residua della batteria

(Solo per batterie il cui codice modello termina con "B"). (Fig. 3)

Premere il pulsante di controllo sulla batteria per visualizzare la capacità residua della batteria. Le spie luminose si illuminano per qualche secondo.

| Spie luminose  |  |  | Capacità residua                             |
|--|--|--|--|
|  Accesa |  Spenta |  Lampeggiante |  |
|         |  |  | Dal 75% al 100%                              |
|         |  |  | Dal 50% al 75%                               |
|         |  |  | Dal 25% al 50%                               |
|         |  |  | Dal 0% al 25%                                |
|         |  |  | Caricare la batteria.                        |
|         |  |  | Probabile malfunzionamento o della batteria. |

015658

#### NOTA:

- Il valore indicato potrebbe variare leggermente dalla capacità effettiva in base alle condizioni di utilizzo e alla temperatura ambientale.

### Azionamento dell'interruttore

#### ⚠ ATTENZIONE:

- Prima di inserire la batteria nell'utensile, controllare se l'interruttore funziona correttamente e ritorna in posizione "OFF" una volta rilasciato. (Fig. 4)

Per maggiore sicurezza, questo utensile è dotato di un doppio sistema di interruttori. Per accendere l'utensile, premere la sicura di accensione ed entrambi gli interruttori A e B. Per spegnere, rilasciare uno dei due interruttori. La sequenza con cui si premono gli interruttori non è significativa, poiché l'utensile si accende solo in caso di attivazione simultanea dei due interruttori.

## Spia luminosa (Fig. 5)

Quando l'utensile è in funzione, la spia luminosa indica la capacità residua della batteria.

Se l'utensile ha smesso di funzionare a causa di un sovraccarico, la spia si illumina in rosso.

| Spia luminosa                          | Stato   | Azione da compiere                              |
|--|---|---|
| La spia lampeggia in rosso.            | È il momento adatto per sostituire la batteria (carica ridotta).  | Ricaricare la batteria il più presto possibile. |
| La spia si illumina in rosso. (Nota 1) | Questa funzione si attiva quando la batteria è quasi scarica. In questa situazione l'utensile si spegne immediatamente. | Ricaricare la batteria.                         |
| La spia si illumina in rosso. (Nota 1) | Spegnimento automatico dovuto a sovraccarico.   | Spegnere l'utensile.                            |

Nota 1: Il momento di accensione della spia luminosa dipende dalla temperatura nell'area di lavoro e dalle condizioni della batteria.

010970

## DURANTE L'USO

### ⚠ ATTENZIONE:

- Fare attenzione a non entrare accidentalmente in contatto con una palizzata metallica o altri oggetti rigidi durante il taglio. La lama si romperebbe, causando lesioni gravi.
- Sporgersi con il taglia siepi, soprattutto da una scala, è estremamente pericoloso. Non lavorare su strutture pericolanti o instabili. (Fig. 6)

Non tentare di tagliare rami con diametro superiore ai 10 mm utilizzando questo utensile da taglio. È prima opportuno tagliarli con delle cesoie portandoli al livello della siepe.

### ⚠ ATTENZIONE:

- Non tagliare alberi secchi o corpi ugualmente rigidi per non correre il rischio di danneggiare l'utensile. (Fig. 7) Impugnare il taglia siepi con entrambe le mani e tirare gli interruttori di accensione A e B, spostando quindi l'utensile di fronte al proprio corpo. (Fig. 8)

Per l'uso più semplice, inclinare le lame in direzione di potatura spostandole lentamente e con calma, a una velocità di circa 3-4 secondi per metro. (Fig. 9)

Per tagliare in modo uniforme la sommità di una siepe, è possibile tendere uno spago all'altezza desiderata per utilizzarlo come linea di riferimento durante il taglio.

(Fig. 10)

L'uso di un raccoglitore di residui (accessorio opzionale) durante il taglio orizzontale delle siepi evita di spargere in giro le foglie tagliate. (Fig. 11)

Per tagliare in modo uniforme il lato di una siepe, può essere d'aiuto procedere dal basso verso l'alto. (Fig. 12)

Per ottenere buoni risultati, il bosso e il rododendro devono essere tagliati dalla base verso l'alto.

## Installazione o rimozione del raccoglitore di residui (accessorio opzionale)

### ⚠ ATTENZIONE:

- Prima di installare o rimuovere il raccoglitore di residui accertarsi sempre che l'utensile sia spento e scollegato dall'alimentazione.

### NOTA:

- Durante la sostituzione del raccoglitore di residui, indossare sempre i guanti per evitare il contatto diretto

Fare riferimento alla seguente tabella per le informazioni di stato e le azioni da compiere a seconda della spia luminosa.

di mani e volto con la lama. In caso contrario si potrebbero verificare lesioni personali.

- Accertarsi sempre di rimuovere il coprilama prima di installare il raccoglitore di residui.

- Il raccoglitore di residui raccoglie le foglie tagliate, impedendo che vengano disperse. Può essere installato su entrambi i lati dell'utensile. (Fig. 13)

Premere il raccoglitore di residui sulla lama da taglio, in modo che le sue feritoie si sovrappongano ai dadi della lama da taglio. (Fig. 14)

Per installare il raccoglitore di residui, inserire i ganci nelle fessure della lama da taglio. (Fig. 15)

Per rimuovere il raccoglitore di residui, premere la leva su entrambi i lati in modo da sbloccare i ganci.

### ⚠ ATTENZIONE:

- Il coprilama (dotazione standard) non può essere installato sull'utensile quando è già installato il raccoglitore di residui. Prima di trasportare o riporre l'utensile, smontare il raccoglitore di residui e rimontare il coprilama per evitare di esporre la lama.

### NOTA:

- Prima dell'uso, verificare che il raccoglitore di residui sia installato correttamente.
- Non tentare di smontare il raccoglitore di residui esercitando una forza eccessiva sui ganci inseriti nelle fessure dell'unità della lama. Questo potrebbe danneggiare l'accessorio.

## MANUTENZIONE

### ⚠ ATTENZIONE:

- Prima di effettuare controlli e operazioni di manutenzione, verificare sempre di aver spento l'utensile e di aver rimosso la batteria.

## Pulizia dell'utensile

Pulire l'utensile eliminando la polvere con un panno asciutto o immerso in acqua e sapone.

### ⚠ ATTENZIONE:

- Evitare assolutamente di usare benzina, diluenti, solventi, alcol o sostanze simili. In caso contrario, potrebbero verificarsi scoloriture, deformazioni o incrinature.

## Manutenzione della lama

Oliare la lama prima dell'uso e dopo ogni ora di utilizzo con olio per macchine o simili.

### NOTA:

- Rimuovere il raccogliitore di residui prima di oliare la lama.

Dopo l'uso, eliminare la polvere da entrambi i lati della lama con una spazzola metallica, pulirla con un panno e quindi applicare una quantità sufficiente di olio a bassa viscosità, ad esempio olio per macchine o simili, oppure olio lubrificante spray.

### ⚠ ATTENZIONE:

- Non lavare le lame con acqua. Questa operazione potrebbe favorire la comparsa di ruggine o danneggiare l'utensile.

## Installazione o rimozione della lama da taglio

### ⚠ ATTENZIONE:

- Prima di rimuovere o installare la lama da taglio, verificare sempre che l'utensile sia spento e che la batteria sia stata rimossa.
- Durante la sostituzione della lama da taglio, indossare sempre i guanti e non rimuovere il coprilama, per evitare il contatto diretto di mani e volto con la lama. In caso contrario si potrebbero verificare lesioni personali.

### NOTA:

- Non eliminare il grasso dall'ingranaggio e dal collare. In caso contrario si potrebbero causare danni all'utensile.

## Rimozione delle lame di taglio (Fig. 16)

Rovesciare l'utensile e allentare le quattro viti, quindi rimuovere il coperchio inferiore.

### NOTA:

- Fare attenzione a non sporcarsi le mani con il grasso applicato nella zona di guida della lama da taglio. (Fig. 17)

Allentare le quattro viti e rimuovere le lame. Rimuovere la rondella e la spugna dalle lame di taglio e conservarle in un apposito luogo per la successiva installazione.

### (Fig. 18)

Se i manicotti sono ancora inseriti nei fori dell'ingranaggio, rimuovere l'ingranaggio ed estrarre i manicotti con un cacciavite o simili.

### NOTA:

Durante la rimozione dell'ingranaggio, la rondella sottostante potrebbe uscire inavvertitamente dalla propria sede. In tal caso, riportarla nella sua posizione originale.

## Installazione della lama da taglio (Fig. 19)

Rimuovere il coprilama dalle vecchie lame di taglio e applicarlo sulle lame nuove per evitare ogni contatto con le stesse. (Fig. 20)

Regolare le posizioni del foro ruotando l'ingranaggio come illustrato in figura. (Fig. 21 e 22)

Applicare il grasso in dotazione con le nuove lame di taglio come illustrato in figura. (Fig. 23)

Posizionare la spugna precedentemente rimossa nello stesso punto di quella vecchia. Assicurarsi che i manicotti in dotazione con le nuove lame di taglio vengano inseriti nei fori della lama. Posizionare le nuove lame

sull'utensile inserendo i perni nei fori dell'ingranaggio. Se i manicotti dei perni dovessero fuoriuscire in modo accidentale, inserire in anticipo i manicotti nei fori dell'ingranaggio. (Fig. 24)

Installare la lama, stringere le quattro viti e riposizionare la rondella nello stesso punto di partenza. (Fig. 25)

Installare il coperchio inferiore dell'utensile e stringere saldamente le quattro viti.

## Stoccaggio

Il foro per il gancio nella parte inferiore dell'utensile è utile per appendere l'utensile a un chiodo o a una vite sulla parete. (Fig. 26)

Rimuovere la batteria e applicare il coprilama sulle lame di taglio, in modo che le lame non siano esposte. Riporre l'utensile con attenzione e lontano dalla portata dei bambini.

Riporre l'utensile in un luogo non esposto ad acqua e pioggia.

Per preservare la SICUREZZA e l'AFFIDABILITÀ del prodotto, qualsiasi riparazione o intervento di manutenzione e regolazione deve essere eseguito dai centri assistenza autorizzati Makita, utilizzando sempre ricambi Makita.

## ACCESSORI OPZIONALI

### ⚠ ATTENZIONE:

- Si consiglia l'uso dei seguenti accessori per l'utensile Makita descritto in questo manuale. L'uso di qualsiasi altro accessorio potrebbe provocare lesioni personali. Utilizzare gli accessori esclusivamente per l'uso dichiarato.

Per l'assistenza e per ulteriori informazioni su tali accessori, rivolgersi al centro assistenza Makita di zona.

- Coprilama
- Unità lama da taglio
- Batteria e caricabatteria originali Makita
- Raccogliitore di residui

### NOTA:

- Alcuni degli accessori elencati potrebbero essere inclusi nella confezione dell'utensile come accessori standard. Gli accessori standard possono differire da paese a paese.

### Rumore

ENG905-1

Il tipico livello di rumore ponderato A è determinato in conformità alla norma EN60745:

#### Modello DUH481, DUH483, DUH521

Livello di pressione sonora ( $L_{pA}$ ): 75 dB (A)

Variazione (K): 2,5 dB (A)

Il livello acustico in esercizio può superare 80 dB (A).

#### Modello DUH523

Livello di pressione sonora ( $L_{pA}$ ): 77 dB (A)

Variazione (K): 2,5 dB (A)

Il livello acustico in esercizio può superare 80 dB (A).

#### Indossare una protezione acustica.

### Vibrazione

ENG900-1

Il valore totale delle vibrazioni (somma vettoriale triassiale) è determinato in conformità alla norma EN60745:

Modalità di lavoro: taglio delle siepi

Emissione di vibrazioni ( $a_{h1}$ ): 2,5 m/s<sup>2</sup> o inferiore

Variazione (K): 1,5 m/s<sup>2</sup>

- Il valore di emissione delle vibrazioni dichiarato è stato misurato in conformità con il metodo di test standard e può essere utilizzato per confrontare tra loro diversi utensili.
- Il valore dell'emissione delle vibrazioni dichiarato può anche essere usato per stime preliminari dell'esposizione.

**⚠ AVVERTENZA:**

- L'emissione delle vibrazioni durante l'uso effettivo dell'utensile elettrico può risultare diversa rispetto al valore dichiarato, in base alla modalità d'uso dell'utensile.
- Assicurarsi di individuare le necessarie misure di sicurezza per proteggere l'operatore in base a una stima dell'esposizione nelle condizioni reali di utilizzo (prendendo in considerazione tutte le fasi del ciclo operativo, come quante volte l'utensile viene spento e i periodi in cui rimane inattivo, oltre al tempo di avviamento).

**Solo per i paesi europei**

ENH040-4

**Dichiarazione di conformità CE**

**Makita dichiara che le macchine seguenti:**

Denominazione dell'utensile:

Tagliasiepi a batteria

N. modello/Tipo: DUH481, DUH483, DUH521, DUH523

Caratteristiche tecniche: vedere la tabella "SPECIFICHE TECNICHE".

**sono conformi alle seguenti direttive europee:**

2000/14/EC, 2006/42/EC

Sono prodotte in conformità agli standard o ai documenti standardizzati riportati di seguito:

EN60745

Il documento tecnico ai sensi della Direttiva europea 2006/42/EC è disponibile presso:

Makita, Jan-Baptist Vinkstraat 2, 3070, Belgio

La procedura di valutazione della conformità richiesta dalla direttiva 2000/14/EC è stata effettuata secondo quanto specificato nell'allegato V.

Modello DUH481

Livello di potenza sonora misurato: 83,2 dB (A)

Livello di potenza sonora garantito: 86 dB (A)

Modello DUH483

Livello di potenza sonora misurato: 83,8 dB (A)

Livello di potenza sonora garantito: 88 dB (A)

Modello DUH521

Livello di potenza sonora misurato: 82,9 dB (A)

Livello di potenza sonora garantito: 86 dB (A)

Modello DUH523

Livello di potenza sonora misurato: 84,3 dB (A)

Livello di potenza sonora garantito: 89 dB (A)

28. 4. 2015



Yasushi Fukaya  
Direttore

Makita, Jan-Baptist Vinkstraat 2, 3070, Belgio

## NEDERLANDS (Originele instructies)

### Verklaring van het onderdelenoverzicht

|                                     |   |  |
|-------------------------------------|---|--|
| 1. Rode deel                        | 13. Kantel de messenbladen                  | 23. Trek de vergrendeling uit de groeven |
| 2. Knop                             | 14. Touwtje                                 | 24. Schroeven                            |
| 3. Accu                             | 15. Drukken                                 | 25. Deksel op onderkant                  |
| 4. Ster-merkteken                   | 16. Snoeiafvalgeleider                      | 26. Kussentje                            |
| 5. Indicatorlampjes                 | 17. Moer                                    | 27. Ring                                 |
| 6. Testknop                         | 18. Messenblad                              | 28. Tandwiel                             |
| 7. Aan/uit-schakelaar A             | 19. Vergrendelingen                         | 29. Bussen                               |
| 8. Aan/uit-schakelaar B             | 20. Plaats de vergrendelingen in de groeven | 30. Groef                                |
| 9. Uit-vergrendelknop               | 21. Groeven                                 | 31. Schede                               |
| 10. Bedrijfslampje                  | 22. Duw de knoppen aan beide zijden in      | 32. Vet                                  |
| 11. Snoeirichting                   |   | 33. Messenblad                           |
| 12. Hegoppervlak dat u wilt snoeien |   |  |

## TECHNISCHE GEGEVENS

| Model   | DUH481             |                              | DUH483                                    |  | DUH521             |                              | DUH523                                    |  |
|---|--------------------|------------------------------|---|--|--------------------|------------------------------|---|--|
| Lengte messenblad                                     | 480 mm             |                              |   |  | 520 mm             |                              |   |  |
| Aantal zaagbewegingen per minuut (min <sup>-1</sup> ) | 1.350              |                              |   |  |                    |                              |   |  |
| Nominale spanning                                     | 14,4 V DC          |                              | 18 V DC                                   |  | 14,4 V DC          |                              | 18 V DC                                   |  |
| Totale lengte   | 869 mm             | 881 mm                       | 873 mm                                    | 888 mm   | 919 mm             | 931 mm                       | 923 mm                                    | 938 mm   |
| Nettogewicht  | 2,9 kg             | 3,1 kg                       | 3,0 kg                                    | 3,2 kg   | 3,0 kg             | 3,2 kg                       | 3,0 kg                                    | 3,3 kg   |
| Accu  | BL1415/<br>BL1415N | BL1430/<br>BL1440/<br>BL1450 | BL1815/<br>BL1815N/<br>BL1820/<br>BL1820B | BL1830/<br>BL1840/<br>BL1840B/<br>BL1850/<br>BL1850B | BL1415/<br>BL1415N | BL1430/<br>BL1440/<br>BL1450 | BL1815/<br>BL1815N/<br>BL1820/<br>BL1820B | BL1830/<br>BL1840/<br>BL1840B/<br>BL1850/<br>BL1850B |
| Acculader   | DC18RC, DC18SD     |                              |   |  |                    |                              |   |  |

- Als gevolg van ons doorlopende onderzoeks- en ontwikkelingsprogramma, zijn de technische gegevens van dit gereedschap onderhevig aan veranderingen zonder voorafgaande kennisgeving.
- Specificaties en accu's kunnen van land tot land verschillen.
- Gewicht, inclusief de accu, volgens de EPTA-procedure 01/2003

### Symbolen

END013-4

Hieronder staan de symbolen die voor het gereedschap worden gebruikt. Zorg ervoor dat u weet wat ze betekenen alvorens de accu te gebruiken.



..... Lees de gebruiksaanwijzing.



..... Stel het gereedschap niet bloot aan regen.



..... Alleen voor EU-landen  
Geef elektrisch gereedschap en accu's niet met het huisvuil mee!  
Volgens de Europese richtlijn inzake oude elektrische en elektronische apparaten, en inzake batterijen en accu's, en de toepassing daarvan binnen de nationale wetgeving, dienen elektrisch gereedschap, accu's en batterijen die het einde van hun levensduur hebben bereikt, gescheiden te worden ingezameld en te worden afgevoerd

naar een recyclebedrijf dat voldoet aan de geldende milieu-eisen.

### Gebruiksdoelinden

ENE014-1

Het gereedschap is bedoeld om heggen te snoeien.

## Algemene veiligheidswaarschuwingen voor elektrisch gereedschap

GEA010-1



**WAARSCHUWING** Lees alle veiligheidswaarschuwingen en alle instructies. Het niet volgen van de waarschuwingen en instructies kan leiden tot elektrische schokken, brand en/of ernstig letsel.

## Bewaar alle waarschuwingen en instructies om in de toekomst te kunnen raadplegen.



# VEILIGHEIDSWAARSCHUWINGEN SPECIFIEK VOOR EEN ACCUHEGGENSCHAAR

GEB062-5

- Houd alle lichaamsdelen uit de buurt van de messenbladen. Verwijder geen snoeiafval en houd geen materiaal om te snoeien vast terwijl de messenbladen bewegen. Zorg ervoor dat de aan/uit-schakelaar in de uit-stand staat voordat u vastgeklemd materiaal vanaf de messenbladen verwijdert.** Een ogenblik van onoplettendheid kan tijdens het gebruik van de heggenschaar leiden tot ernstig persoonlijk letsel.
- Draag de heggenschaar aan het handvat met stilstaande messenbladen. Bij het transporteren of opbergen van de heggenschaar moet altijd de schede om de messenbladen worden gedaan.** Door op de juiste manier met de heggenschaar om te gaan, verkleint u de kans op mogelijk letsel door de messenbladen.
- Houd het elektrisch gereedschap alleen vast bij het geïsoleerde oppervlak omdat de messenbladen met verborgen bedrading in aanraking kunnen komen.** Wanneer de messenbladen in aanraking komen met onder spanning staande draden, zullen de niet-geïsoleerde metalen delen van het gereedschap onder spanning komen te staan zodat de gebruiker een elektrische schok kan krijgen.
- Gebruik de heggenschaar niet in de regen of onder natte of zeer vochtige omstandigheden. De elektromotor is niet waterdicht.
- Onervaren gebruikers dienen door een ervaren gebruiker van heggenscharen te worden voorgedaan hoe de heggenschaar moet worden gebruikt.
- De heggenschaar mag niet worden gebruikt door kinderen of jeugd jonger dan 18 jaar. Jongeren ouder dan 16 jaar kunnen uitgezonderd worden van deze regel mits zijn les krijgen onder toezicht van een expert.
- Gebruik de heggenschaar alleen als u in goede lichamelijke conditie bent. Als u vermoeid bent, kunt u zich minder goed concentreren. Wees met name voorzichtig aan het einde van de werkdag. Werk altijd rustig en voorzichtig. De gebruiker is aansprakelijk voor alle schade toegebracht aan derden.
- Gebruik de heggenschaar nooit onder invloed van alcohol, drugs of medicijnen.
- Werkhandschoenen van stevig leer maken deel uit van de standaardwerkuitrusting van de heggenschaar en moeten tijdens het werken ermee altijd worden gedragen. Draag tevens stevige schoenen met slipvaste zolen.
- Alvorens met de werkzaamheden te beginnen, moet u controleren of de heggenschaar in goede en veilige staat verkeert. Controleer dat de beschermkappen stevig gemonteerd zijn. De heggenschaar mag niet worden gebruikt voordat deze geheel compleet en afgemonteerd is.
- Zorg alvorens met de werkzaamheden te beginnen ervoor dat u stevig staat.
- Houd tijdens het gebruik het gereedschap stevig vast.
- Laat het gereedschap niet onnodig onbelast draaien.

- Schakel het gereedschap onmiddellijk uit en verwijder de accu als de messenbladen van de heggenschaar in aanraking komen met een afrastering of ander hard voorwerp. Controleer de messenbladen op beschadigingen en repareer deze onmiddellijk.
- Alvorens de messenbladen te controleren, storingen te verhelpen of vastgelopen materiaal te verwijderen, schakelt u de heggenschaar altijd uit en verwijdert u de accu.
- Schakel de heggenschaar uit en verwijder de accu alvorens enige onderhoudswerkzaamheden uit te voeren.
- Wanneer u de heggenschaar naar een andere plaats overbrengt, ook tijdens het werk, verwijdert u altijd eerst de accu en schuift u de schede over de messenbladen. Draag of vervoer de heggenschaar nooit met ingeschakelde messenbladen. Pak de messenbladen nooit met uw handen beet.
- Reinig de heggenschaar, en met name de messenbladen, na ieder gebruik en voordat de heggenschaar langdurig wordt opgeborgen. Smeer de messenbladen met een beetje olie en breng de schede aan. De schede die bij het gereedschap is geleverd kan aan een muur worden gehangen zodat de heggenschaar praktisch en veilig opgeborgen kan worden.
- Berg de heggenschaar op met aangebrachte schede in een droog vertrek. Houd het gereedschap buiten bereik van kinderen. Laat de heggenschaar nooit buiten liggen.

## BEWAAR DEZE INSTRUCTIES.



### WAARSCHUWING:

Laat u **NIET** misleiden door een vals gevoel van comfort en bekendheid met het gereedschap (na veelvuldig gebruik) en neem alle veiligheidsvoorschriften van het betreffende product altijd strikt in acht. **VERKEERD GEBRUIK** of het niet volgen van de veiligheidsinstructies in deze gebruiksaanwijzing kan leiden tot ernstig persoonlijk letsel.

## BELANGRIJKE VEILIGHEIDSI NSTRUCTIES

ENC007-9

### VOOR ACCU'S

- Alvorens de accu in gebruik te nemen, leest u eerst alle instructies en waarschuwingsofschriften op (1) de acculader, (2) de accu en (3) het apparaat waarin de accu wordt aangebracht.
- Haal de accu niet uit elkaar.
- Als de gebruikstijd aanzienlijk korter is geworden, stopt u onmiddellijk met het gebruik. Anders kan dit leiden tot kans op oververhitting, mogelijke brandwonden en zelfs een explosie.
- Als de elektrolyt in uw ogen komt, wast u deze uit met schoon water en raadpleegt u onmiddellijk een arts. Dit kan leiden tot verlies van gezichtsvermogen.
- Sluit de accu niet kort:



- (1) Raak de accupolen niet aan met enig geleidend materiaal.
  - (2) Bewaar de accu niet op een plaats waar deze in aanraking kan komen met andere metalen voorwerpen, zoals spijkers, munten, enz.
  - (3) Stel de accu niet bloot aan water of regen. Kortsluiting van de accu kan leiden tot een hoge stroomsterkte, oververhitting, mogelijke brandwonden en zelfs een defect.
6. Bewaar het gereedschap en de accu niet op plaatsen waar de temperatuur kan oplopen tot 50 °C of hoger.
  7. Werp de accu niet in een vuur, zelfs niet als deze al ernstig beschadigd of helemaal versleten is. De accu kan in een vuur exploderen.
  8. Wees voorzichtig dat u de accu niet laat vallen of ergens tegenaan stoot.
  9. Gebruik nooit een beschadigde accu.
  10. Neem de plaatselijke regelgeving met betrekking tot het weggoien van de accu in acht.

## BEWAAR DEZE INSTRUCTIES.

### Tips voor een lange levensduur van de accu

1. Laad de accu op voordat deze volledig leeg is. Wanneer u merkt dat het gereedschap minder vermogen heeft, stopt u met het gebruik ervan en laadt u eerst de accu op.
2. Laad nooit een volledig opgeladen accu op. Te lang opladen verkort de levensduur van de accu.
3. Laad de accu op bij een omgevingstemperatuur van 10 °C tot 40 °C. Laat een warme accu eerst afkoelen voordat u deze oplaadt.
4. Als de accu gedurende een lange tijd (meer dan zes maanden) niet gebruikt, laadt u deze eerst op alvorens deze te gebruiken.

## BESCHRIJVING VAN DE FUNCTIES

### ⚠ LET OP:

- Zorg ervoor dat het gereedschap is uitgeschakeld en dat de accu is verwijderd voordat u de werking van het gereedschap aanpast of controleert.

### De accu aanbrengen en verwijderen (zie afb. 1)

#### ⚠ LET OP:

- Schakel het gereedschap altijd uit voordat u de accu aanbrengt of verwijdert.
- **Houd het gereedschap en de accu stevig vast tijdens het aanbrengen of verwijderen van de accu.** Als u het gereedschap en de accu niet stevig vasthoudt, kunnen deze uit uw handen glippen en beschadigd raken, of kan persoonlijk letsel worden veroorzaakt.

Om de accu te verwijderen verschuift u de knop aan de voorkant van de accu en schuift u tegelijkertijd de accu eraf.

Om de accu aan te brengen, lijnt u de lip op de accu uit met de groef in de behuizing en duwt u de accu op zijn plaats. Steek de accu zo ver mogelijk erin tot u een klinkgeluid hoort. Als u het rode deel aan de bovenkant van de knop kunt zien, is de accu niet goed aangebracht.

### ⚠ LET OP:

- Breng de accu altijd helemaal aan totdat het rode deel niet meer zichtbaar is. Als u dit niet doet, kan de accu per ongeluk uit het gereedschap vallen en u of anderen in uw omgeving verwonden.
- Breng de accu niet met kracht aan. Als de accu niet gemakkelijk erin kan worden geschoven, wordt deze niet goed aangebracht.

### Accubeveiligingssysteem (lithiumionaccu met een ster-merkteken) (zie afb. 2)

Lithiumionaccu's met een ster-merkteken zijn uitgerust met een beveiligingssysteem. Dit systeem schakelt automatisch de voeding naar het gereedschap uit om de levensduur van de accu te verlengen.

Het gereedschap zal tijdens gebruik automatisch stoppen wanneer het gereedschap en/of de accu zich in een van de volgende omstandigheden bevinden:

- Overbelasting:  
Het gereedschap wordt gebruikt op een manier die ertoe leidt dat een abnormaal hoge stroomsterkte uit de accu wordt getrokken.  
Laat in die situatie de aan/uit-schakelaar van het gereedschap los en stop het gebruik dat ertoe leidde dat het gereedschap overbelast werd. Knijp daarna opnieuw de aan/uit-schakelaar in om het gereedschap weer in te schakelen.  
Als het gereedschap niet wordt ingeschakeld, is de accu oververhit. In die situatie laat u de accu eerst afkoelen voordat u opnieuw de aan/uit-schakelaar inknipt.
- Lage accuspanning:  
De resterende acculading is te laag en het gereedschap wordt niet ingeschakeld. Verwijder in die situatie de accu en laad hem op.

### Aanduiding van de resterende acculading

(Alleen voor accu's met een "B" aan het einde van het modelnummer.) (zie afb. 3)

Druk op de testknop op de accu om de resterende accucapaciteit af te lezen. De indicatorlampjes branden gedurende enkele seconden.

| Indicatorlampjes |     |          | Resterende acculading                          |
|------------------|-----|----------|--|
| Brandt           | Uit | Knippert |  |
| ■                | □   | ▧        | 75% tot 100%                                   |
| ■                | ■   | ■        |  |
| ■                | ■   | □        | 50% tot 75%                                    |
| ■                | □   | □        | 25% tot 50%                                    |
| ■                | □   | □        | 0% tot 25%                                     |
| ▧                | □   | □        | Laad de accu op.                               |
| ■                | ■   | □        | Er kan een storing in de accu zijn opgetreden. |
| □                | □   | ■        |  |

015658

#### OPMERKING:

- Afhankelijk van de gebruiksomstandigheden en de omgevingstemperatuur, is het mogelijk dat de

| Status van bedrijfslampje                     | Toestand van accu/gereedschap   | Te nemen maatregelen                 |
|---|---|--------------------------------------|
| Het bedrijfslampje knippert rood.             | Dit geeft het juiste tijdstip aan om de accu te vervangen wanneer de accu bijna leeg is.                                    | Laad de accu zo spoedig mogelijk op. |
| Het bedrijfslampje brandt rood. (Opmerking 1) | Deze functie treedt in werking wanneer de acculading bijna opgebruikt is. Op dat moment stopt het gereedschap onmiddellijk. | Laad de accu op.                     |
| Het bedrijfslampje brandt rood. (Opmerking 1) | Het gereedschap stopt automatisch als gevolg van overbelasting.   | Schakel het gereedschap uit.         |

Opmerking 1: Het moment waarop het bedrijfslampje gaat branden varieert met de temperatuur in het werkgebied en de toestand van de accu.

010970

## BEDRIJF

### ⚠ LET OP:

- Wees voorzichtig niet per ongeluk een metalen afrastering of andere harde voorwerpen te raken tijdens het snoeien. De messenbladen zullen breken en kunnen ernstig letsel veroorzaken.
- Het is bijzonder gevaarlijk met de heggenschaar te ver te reiken, met name op een ladder. Werk niet vanuit een wankele of instabiele positie (**zie afb. 6**).

Probeer geen takken dikker dan 10 mm diameter te snoeien met deze heggenschaar. Deze dienen eerst met een snoeischaar te worden teruggeknipt tot de juiste snoeihoogte.

### ⚠ LET OP:

- Snoei niet in dode bomen of andere harde voorwerpen. Als u zich hier niet aan houdt, kan het gereedschap worden beschadigd (**zie afb. 7**).

Druk met beide handen de aan/uit-schakelaars A en B in, houdt de heggenschaar vóór uw lichaam en snoei vervolgens van beneden naar boven (**zie afb. 8**).

aangegeven acculading verschilt van de werkelijke acculading.

## Werking van de aan/uit-schakelaar

### ⚠ LET OP:

- Controleer altijd, voordat u de accu in het gereedschap steekt, of de aan/uit-schakelaar op de juiste manier schakelt en weer terugkeert naar de uit-stand nadat deze is losgelaten (**zie afb. 4**).

Voor uw veiligheid is dit gereedschap uitgerust met een tweevoudig in-/uitschakelsysteem. Om het gereedschap in te schakelen, drukt u de uit-vergrendelknop en de aan/uit-schakelaars A en B in. Laat één van de twee ingedrukte aan/uit-schakelaars los om het gereedschap uit te schakelen. De volgorde waarin de aan/uit-schakelaars worden ingedrukt is niet van belang omdat het gereedschap pas start nadat de tweede schakelaar is ingedrukt.

## Bedrijfslampje (zie afb. 5)

Tijdens gebruik van het gereedschap geeft het bedrijfslampje de toestand van de acculading aan. In het geval het gereedschap overbelast is en tijdens gebruik is gestopt, brandt het bedrijfslampje rood. Raadpleeg onderstaande tabel voor de toestand van de accu en het gereedschap, alsmede de te nemen maatregelen voor iedere status van het bedrijfslampje.

Als standaardmethode houdt u de messenbladen gekanteld in de snoeirichting en beweegt u ze rustig en langzaam met een snelheid van 3 of 4 seconden per meter (**zie afb. 9**).

Om de bovenkant van een heg gelijkmatig te snoeien, is het handig een touwtje op de gewenste hoogte te spannen en er langs te snoeien (**zie afb. 10**).

Door een snoeiafvalgeleider (los verkrijgbaar) op het gereedschap aan te brengen bij het recht snoeien van een heg, wordt voorkomen dat het snoeiafval wordt weggeworpen (**zie afb. 11**).

Om de zijkant van een heg gelijkmatig te snoeien, is het handig van onder naar boven te snoeien (**zie afb. 12**). Snoei buxus en rododendron van onder naar boven voor een mooie, gladde afwerking.

## De snoeiafvalgeleider (los verkrijgbaar) aanbrengen en verwijderen

### ⚠ LET OP:

- Controleer altijd of het gereedschap is uitgeschakeld en de stekker uit het stopcontact is getrokken alvorens de snoeiafvalgeleider aan te brengen of te verwijderen.

#### OPMERKING:

- Draag bij het aanbrengen of verwijderen van de snoeiafvalgeleider altijd handschoenen zodat uw handen en gezicht niet rechtstreeks in aanraking komen met de messenbladen. Als u dat niet doet, kan dit leiden tot persoonlijk letsel.
- Haal altijd eerst de schede van de messenbladen af voordat u de snoeiafvalgeleider aanbrengt.
- De snoeiafvalgeleider vangt de gesnoeide blaadjes af en vergemakkelijkt het verzamelen van de vallende blaadjes. Deze kan aan beide kanten van het gereedschap worden bevestigd (zie afb. 13).

Duw de snoeiafvalgeleider op de messenbladen zodat de sleuven over de moeren op de messenbladen vallen (zie afb. 14).

De snoeiafvalgeleider moet zodanig worden aangebracht dat de vergrendelingen ervan aangrijpen in de groeven in de messenbladen (zie afb. 15).

Om de snoeiafvalgeleider te verwijderen, drukt u aan beide zijden op de vergrendeling zodat deze loslaat.

#### ⚠ LET OP:

- De schede (standaarduitrusting) kan niet om de messenbladen worden geschoven terwijl de snoeiafvalgeleider is aangebracht. Alvorens de heggenschaar mee te nemen of op te bergen, verwijdert u de snoeiafvalgeleider en schuift u de schede om de messenbladen om te voorkomen dat deze bloot liggen.

#### OPMERKING:

- Controleer de snoeiafvalgeleider op correcte montage alvorens deze te gebruiken.
- Probeer de snoeiafvalgeleider nooit met grote kracht te verwijderen terwijl de vergrendelingen aangrijpen in de gleuven van de messenbladen. Bij gebruik van grote kracht kan de snoeiafvalgeleider worden beschadigd.

## ONDERHOUD

#### ⚠ LET OP:

- Zorg er altijd voor dat het gereedschap is uitgeschakeld en de accu is verwijderd, voordat u een inspectie of onderhoud uitvoert.

### Het gereedschap schoonmaken

Maak het gereedschap schoon door het stof eraf te vegen met een droge of met zeepwater bevochtigde doek.

#### ⚠ LET OP:

- Gebruik nooit benzine, wasbenzine, thinner, alcohol, enz. Dit kan leiden tot verkleuren, vervormen of barsten.

### Onderhoud van messenbladen

Smeer de messenbladen voor aanvang van de werkzaamheden en na ieder bedrijfsuur met machineolie of iets soortgelijks.

#### OPMERKING:

- Verwijder de snoeiafvalgeleider alvorens de messenbladen te smeren.

Verwijder na de werkzaamheden het vuil van beide zijden van de messenbladen met behulp van een staalborstel, veeg de messenbladen schoon met een doek, en breng voldoende olie met een lage viscositeit aan, zoals bijvoorbeeld machineolie, smeeroil uit een spuitbus, enz.

#### ⚠ LET OP:

- Was de messenbladen niet met water. Als u dit toch doet, kunnen de messenbladen gaan roesten of het gereedschap worden beschadigd.

### De messenbladen aanbrengen en verwijderen

#### ⚠ LET OP:

- Zorg er altijd voor dat het gereedschap is uitgeschakeld en de accu is verwijderd, voordat u de messenbladen aanbrengt of verwijdert.
- Draag bij het aanbrengen of verwijderen van de messenbladen altijd handschoenen zonder de schede eraf te halen zodat uw handen en gezicht niet rechtstreeks in aanraking komen met de messenbladen. Als u dat niet doet, kan dit leiden tot persoonlijk letsel.

#### OPMERKING:

- Veeg het vet op het tandwiel en de kruk niet af. Als u dit toch doet, kan het gereedschap worden beschadigd.

### De messenbladen verwijderen (zie afb. 16)

Draai het gereedschap ondersteboven, draai de vier schroeven los en verwijder het deksel op de onderkant.

#### OPMERKING:

- Wees voorzichtig uw handen niet vuil te maken aan het vet in het tandwielhuis van de messenbladen (zie afb. 17).

Draai de vier schroeven los en verwijder de messenbladen. Verwijder de ring en het kussentje vanaf de messenbladen en leg deze aan de kant. Zij zijn later bij montage weer nodig (zie afb. 18).

Als de bussen nog in de gaten van het tandwiel zitten, verwijdert u het tandwiel en duwt u de bussen eruit met een schroevendraaier of iets soortgelijks.

#### OPMERKING:

De ring onder het tandwiel kan per ongelijk mee eruit komen wanneer het tandwiel wordt verwijderd. In dat geval plaatst u hem terug op zijn oorspronkelijke plaats.

### De messenbladen aanbrengen (zie afb. 19)

Verwijder de schede vanaf de oude messenbladen en schuif hem over de nieuwe messenbladen om aanraking van de nieuwe messenbladen te voorkomen (zie afb. 20). Lijn de posities van de gaten uit door het tandwiel te draaien zoals aangegeven (zie afb. 21 en 22).

Breng enig vet aan dat bij de nieuwe messenbladen werd geleverd, zoals aangegeven (zie afb. 23).

Plaats het verwijderde kussentje terug op zijn oorspronkelijke plaats. Zorg ervoor dat de bussen die bij de nieuwe messenbladen werden geleverd op de pennen van de nieuwe messenbladen worden geplaatst. Plaats de nieuwe messenbladen in het gereedschap zodanig dat de bussen passen in de gaten in het tandwiel. Als per ongeluk de bussen van de pennen afvallen, mag u ze ook eerst in de gaten in het tandwiel plaatsen (zie afb. 24). Breng de messenbladen aan en draai de vier schroeven vast en plaats de verwijderde ring terug op zijn oorspronkelijke plaats (zie afb. 25).

Breng het deksel aan op de onderkant van het gereedschap en draai de vier schroeven stevig vast.

## Opslag

Het gat in de onderkant van het gereedschap is handig om het gereedschap aan een spijker of schroef in de muur te hangen (zie afb. 26).

Verwijder de accu en schuif de schede over de messenbladen zodat deze niet bloot liggen. Bewaar het gereedschap buiten bereik van kinderen.

Bewaar het gereedschap op een plaats die niet is blootgesteld aan water of regen.

Om de VEILIGHEID en BETROUWBAARHEID van het gereedschap te handhaven, dienen alle reparaties, onderhoud en afstellingen te worden uitgevoerd door een erkend Makita-servicecentrum, en altijd met gebruikmaking van originele Makita-ervangingsonderdelen.

## VERKRIJGBARE ACCESSOIRES

### ⚠ LET OP:

- Deze accessoires of hulpstukken worden aanbevolen voor gebruik met het Makita-gereedschap dat in deze gebruiksaanwijzing wordt beschreven. Het gebruik van andere accessoires of hulpstukken kan gevaar voor persoonlijk letsel opleveren. Gebruik de accessoires of hulpstukken uitsluitend voor de aangegeven gebruiksdoeleinden.

Mocht u meer informatie willen hebben over deze accessoires, dan kunt u contact opnemen met uw plaatselijke Makita-servicecentrum.

- Schede
- Messenbladen
- Originele Makita-accu en -lader
- Snoeiafvalgeleider

### OPMERKING:

- Sommige items op de lijst kunnen zijn inbegrepen in de doos van het gereedschap als standaard toebehoren. Zij kunnen van land tot land verschillen.

**Geluid** ENG905-1  
De typische, A-gewogen geluidsniveaus zijn gemeten volgens EN60745:

#### Modellen DUH481, DUH483 en DUH521

Geluidsdrukniveau ( $L_{pA}$ ): 75 dB (A)

Onzekerheid (K): 2,5 dB (A)

Het geluidsniveau kan tijdens gebruik hoger worden dan 80 dB (A).

#### Modellen DUH523

Geluidsdrukniveau ( $L_{pA}$ ): 77 dB (A)

Onzekerheid (K): 2,5 dB (A)

Het geluidsniveau kan tijdens gebruik hoger worden dan 80 dB (A).

### Draag gehoorbescherming.

**Trillingen** ENG900-1  
De totale trillingswaarde (triaxiale vectorsom) zoals vastgesteld volgens EN60745:

Gebruikstoepassing: snoeien van heggen

Trillingsemmissie ( $a_h$ ): 2,5 m/s<sup>2</sup> of lager

Onzekerheid (K): 1,5 m/s<sup>2</sup>

ENG901-1

- De opgegeven trillingsemmissiewaarde is gemeten volgens de standaardtestmethode en kan worden

gebruikt om dit gereedschap te vergelijken met andere gereedschappen.

- De opgegeven trillingsemmissiewaarde kan ook worden gebruikt voor een beoordeling vooraf van de blootstelling.

### ⚠ WAARSCHUWING:

- De trillingsemmissie tijdens het gebruik van het elektrisch gereedschap in de praktijk kan verschillen van de opgegeven trillingsemmissiewaarde afhankelijk van de manier waarop het gereedschap wordt gebruikt.
- Zorg ervoor dat veiligheidsmaatregelen worden getroffen ter bescherming van de operator die zijn gebaseerd op een schatting van de blootstelling onder praktijkomstandigheden (rekening houdend met alle fasen van de bedrijfscyclus, zoals de tijdsduur gedurende welke het gereedschap is uitgeschakeld en stationair draait, naast de ingeschakelde tijdsduur).

### Alleen voor Europese landen

ENH040-4

### EU-verklaring van conformiteit

#### Makita verklaart dat de volgende machine(s):

Aanduiding van de machine:

Accuheggenschaar

Modelnr./Type: DUH481, DUH483, DUH521, DUH523

Technische gegevens: zie de tabel "TECHNISCHE GEGEVENS".

#### Voldoen aan de volgende Europese richtlijnen:

2000/14/EG, 2006/42/EG

Deze zijn gefabriceerd in overeenstemming met de volgende normen of genormaliseerde documenten:

EN60745

Het technische bestand volgens 2006/42/EG is verkrijgbaar bij:

Makita, Jan-Baptist Vinkstraat 2, 3070, België

De conformiteitsbeoordelingsprocedure vereist door Richtlijn 2000/14/EC was in Overeenstemming met annex V.

Modellen DUH481

Gemeten geluidsvermogniveau: 83,2 dB (A)

Gegarandeerd geluidsvermogniveau: 86 dB (A)

Modellen DUH483

Gemeten geluidsvermogniveau: 83,8 dB (A)

Gegarandeerd geluidsvermogniveau: 88 dB (A)

Modellen DUH521

Gemeten geluidsvermogniveau: 82,9 dB (A)

Gegarandeerd geluidsvermogniveau: 86 dB (A)

Modellen DUH523

Gemeten geluidsvermogniveau: 84,3 dB (A)

Gegarandeerd geluidsvermogniveau: 89 dB (A)

28. 4. 2015



Yasushi Fukaya

Directeur

Makita, Jan-Baptist Vinkstraat 2, 3070, België

# ESPAÑOL (Instrucciones originales)

## Explicación de los dibujos

- |   |                                       |                             |
|---|---------------------------------------|-----------------------------|
| 1. Indicador rojo                           | 13. Incline las cuchillas             | 25. Cubierta inferior       |
| 2. Botón                                    | 14. Cuerda                            | 26. Esponja                 |
| 3. Cartucho de la batería                   | 15. Pulse                             | 27. Arandela                |
| 4. Marca de estrella                        | 16. Receptor de virutas               | 28. Engranaje               |
| 5. Luces indicadoras                        | 17. Tuerca                            | 29. Casquillos              |
| 6. Botón de comprobación                    | 18. Cuchilla de corte                 | 30. Ranura                  |
| 7. Interruptor disparador A                 | 19. Ganchos                           | 31. Cubierta de la cuchilla |
| 8. Interruptor disparador B                 | 20. Encaje los ganchos en la ranura   | 32. Grasa                   |
| 9. Botón de desbloqueo                      | 21. Ranuras                           | 33. Cuchilla                |
| 10. Luz indicadora                          | 22. Pulse las palancas en ambos lados |                             |
| 11. Dirección de corte                      | 23. Desbloquee los ganchos            |                             |
| 12. Superficie del seto que se desea cortar | 24. Tornillos                         |                             |

## ESPECIFICACIONES

| Modelo                                   | DUH481             |                              | DUH483                                    |  | DUH521             |                              | DUH523                                    |  |
|--|--------------------|------------------------------|---|--|--------------------|------------------------------|---|--|
| Longitud de la cuchilla                  | 480 mm             |                              |   |  | 520 mm             |                              |   |  |
| Carreras por minuto (min <sup>-1</sup> ) | 1.350              |                              |   |  |                    |                              |   |  |
| Tensión nominal                          | 14,4 V CC          |                              | 18 V CC                                   |  | 14,4 V CC          |                              | 18 V CC                                   |  |
| Longitud total                           | 869 mm             | 881 mm                       | 873 mm                                    | 888 mm   | 919 mm             | 931 mm                       | 923 mm                                    | 938 mm   |
| Peso neto                                | 2,9 kg             | 3,1 kg                       | 3,0 kg                                    | 3,2 kg   | 3,0 kg             | 3,2 kg                       | 3,0 kg                                    | 3,3 kg   |
| Cartucho de la batería                   | BL1415/<br>BL1415N | BL1430/<br>BL1440/<br>BL1450 | BL1815/<br>BL1815N/<br>BL1820/<br>BL1820B | BL1830/<br>BL1840/<br>BL1840B/<br>BL1850/<br>BL1850B | BL1415/<br>BL1415N | BL1430/<br>BL1440/<br>BL1450 | BL1815/<br>BL1815N/<br>BL1820/<br>BL1820B | BL1830/<br>BL1840/<br>BL1840B/<br>BL1850/<br>BL1850B |
| Cargador de baterías                     | DC18RC, DC18SD     |                              |   |  |                    |                              |   |  |

- Debido a nuestro programa continuo de investigación y desarrollo, las especificaciones aquí descritas están sujetas a cambios sin previo aviso.
- Las especificaciones y el cartucho de la batería pueden variar de un país a otro.
- Peso, con el cartucho de la batería, de acuerdo con el procedimiento EPTA 01/2003

### Símbolo

END013-4

Se utilizan los siguientes símbolos para el equipo. Asegúrese de que comprende su significado antes del uso.



..... Lea el manual de instrucciones.



..... No lo exponga a la lluvia.



Sólo para países de la Unión Europea  
¡No deseche el aparato eléctrico o la batería junto con los residuos domésticos!

De conformidad con la Directiva Europea sobre residuos de aparatos eléctricos y electrónicos, y sobre baterías y acumuladores y el desecho de baterías y acumuladores y su aplicación de acuerdo con la legislación nacional, la herramienta eléctrica y las baterías y paquetes de baterías cuya vida útil haya llegado a

su fin se deberán recoger por separado y trasladar a una planta de reciclaje que cumpla con las exigencias ecológicas.

### Uso previsto

ENE014-1

La herramienta está diseñada para cortar setos.

## Advertencias de seguridad generales para herramientas eléctricas

GEA010-1

**⚠ ADVERTENCIA** Lea todas las advertencias de seguridad y todas las instrucciones. La no observancia de las advertencias y las instrucciones puede provocar descargas eléctricas, incendios y/o lesiones graves.

**Guarde todas las advertencias e instrucciones para futuras consultas.**

# ADVERTENCIAS DE SEGURIDAD DEL CORTASETOS INALÁMBRICO

GEB062-5

1. **Mantenga todas las partes del cuerpo alejadas de la cuchilla. No retire material cortado ni sujete el material que desea cortar cuando las cuchillas estén en movimiento. Asegúrese de que el interruptor esté apagado cuando despeje material atascado.** Un momento de distracción mientras maneja el cortasetos puede dar como resultado daños corporales graves.
2. **Transporte el cortasetos por el asa con la cuchilla detenida. Cuando transporte o almacene el cortasetos, siempre debe colocar la cubierta del dispositivo de corte.** Un manejo correcto del cortasetos reducirá la posibilidad de lesiones personales causadas por las cuchillas.
3. **Sujete la herramienta eléctrica solamente por las superficies de agarre aisladas, ya que la hoja de corte puede entrar en contacto con cables ocultos.** Si entra en contacto con un cable con corriente, puede que las piezas metálicas expuestas de la herramienta eléctrica se carguen también de corriente y que el operario reciba una descarga.
4. No utilice el cortasetos bajo la lluvia, donde haya agua o en condiciones de mucha humedad. El motor eléctrico no es a prueba de agua.
5. Un usuario con experiencia en el uso del cortasetos debe mostrar a los usuarios noveles cómo utilizarlo.
6. El cortasetos no debe ser utilizado por niños ni jóvenes menores de 18 años. Los jóvenes mayores de 16 años pueden quedar excluidos de esta restricción si reciben formación bajo la supervisión de un experto.
7. Utilice el cortasetos solamente si se encuentra en buen estado físico. Si está cansado, su atención se verá reducida. Tenga especial cuidado al final de un día de trabajo. Realice todo el trabajo con calma y con cuidado. El usuario es responsable de todos los daños a terceros.
8. No utilice nunca el cortasetos bajo la influencia de alcohol, drogas o medicamentos.
9. Los guantes de trabajo de piel gruesa son parte del equipo básico del cortasetos y siempre deben utilizarse cuando se trabaje con el mismo. Utilice también calzado robusto con suelas antideslizamiento.
10. Antes de empezar a trabajar, asegúrese de que el cortasetos esté en un estado de trabajo correcto y seguro. Asegúrese de que las protecciones se monten correctamente. No debe utilizarse el cortasetos si no está completamente ensamblado.
11. Asegúrese de que mantiene una posición bien equilibrada antes de iniciar la operación.
12. Sujete la herramienta firmemente cuando la utilice.
13. No utilice la herramienta en vacío innecesariamente.
14. Apague inmediatamente el motor y extraiga el cartucho de la batería si la cuchilla entra en contacto con una valla u otro objeto duro. Compruebe si hay daños en la cuchilla y, si está dañada, repárela inmediatamente.
15. Antes de comprobar la cuchilla, arreglar desperfectos o retirar material atrapado en la cuchilla, siempre

debe apagar el cortasetos y extraer el cartucho de la batería.

16. Apague el cortasetos y retire el cartucho de la batería antes de realizar cualquier trabajo de mantenimiento.
17. Cuando mueva el cortasetos a otra ubicación, incluso durante el trabajo, extraiga siempre el cartucho de la batería y coloque la cubierta de la cuchilla sobre las cuchillas de corte. Nunca transporte el cortasetos con la cuchilla en funcionamiento. Nunca sujete la cuchilla con sus manos.
18. Limpie el cortasetos y especialmente la cuchilla tras su uso y antes de almacenar el cortasetos durante largos períodos de tiempo. Engrase ligeramente la cuchilla y coloque la cubierta. La cubierta proporcionada con la unidad se puede colgar en la pared, lo que resulta una forma práctica y segura de almacenar el cortasetos.
19. Guarde el cortasetos con la cubierta puesta, en una habitación seca. Manténgalo fuera del alcance de los niños. Nunca guarde el cortasetos a la intemperie.

## GUARDE ESTAS INSTRUCCIONES.

### ADVERTENCIA:

**NO deje que la comodidad o la familiaridad con el producto (a base de utilizarlo repetidamente) sustituya la estricta observancia de las normas de seguridad del producto en cuestión. El MAL USO o la no observancia de las normas de seguridad expuestas en este manual de instrucciones pueden ocasionar graves daños corporales.**

## INSTRUCCIONES DE SEGURIDAD IMPORTANTES

ENC007-9

### PARA EL CARTUCHO DE LA BATERÍA

1. **Antes de utilizar el cartucho de la batería, lea todas las instrucciones y referencias de precaución que se encuentran en (1) el cargador de baterías, (2) la batería y (3) el producto que utiliza la batería.**
2. **No desmonte el cartucho de la batería.**
3. **Si el tiempo de funcionamiento es excesivamente corto, deje de utilizar la herramienta de inmediato. De lo contrario, existe el riesgo de sobrecalentamiento, quemaduras e incluso explosión.**
4. **Si se produce contacto ocular con electrolito, enjuáguese los ojos con agua limpia y acuda de urgencia al médico. Corre el riesgo de perder la visión.**
5. **No cortocircuite el cartucho de la batería:**
  - (1) **No toque los terminales con material conductor.**
  - (2) **Evite guardar el cartucho de la batería en un recipiente con otros objetos metálicos, como clavos, monedas, etc.**
  - (3) **No exponga el cartucho de la batería al agua o a la lluvia.**

Un cortocircuito puede provocar un elevado flujo de corriente, sobrecalentamiento, quemaduras o incluso una avería.

6. No almacene la herramienta ni el cartucho de la batería en lugares donde la temperatura supere los 50 °C (122 °F).
7. No quemé el cartucho de la batería aunque esté gravemente dañado o completamente gastado. El cartucho de la batería puede explotar si entra en contacto con fuego.
8. Procure que la batería no sufra golpes ni caídas.
9. No utilice una batería dañada.
10. Siga las normativas locales relativas al desecho de la batería.

## GUARDE ESTAS INSTRUCCIONES.

### Consejos para conseguir una mayor duración de la batería

1. Cargue la batería antes de que se descargue por completo. Cuando observe que la herramienta tiene menos potencia, deje de utilizarla y cargue el cartucho de la batería.
2. No recargue nunca un cartucho de batería completamente cargado. La sobrecarga acorta la vida útil de la batería.
3. Cargue el cartucho de la batería a una temperatura ambiente que oscile entre 10 °C y 40 °C (50 °F - 104 °F). Antes de cargar un cartucho de batería caliente, deje que se enfríe.
4. Cargue el cartucho de la batería si no lo ha utilizado durante un período prolongado (más de seis meses).

## DESCRIPCIÓN DEL FUNCIONAMIENTO

### ⚠ PRECAUCIÓN:

- Antes de ajustar o de comprobar la herramienta, asegúrese siempre de que está apagada y de que la batería ha sido extraída.

### Instalación o extracción del cartucho de la batería (Fig. 1)

### ⚠ PRECAUCIÓN:

- Apague siempre la herramienta antes de instalar o extraer el cartucho de la batería.
- Sujete la herramienta y el cartucho de la batería firmemente cuando instale o extraiga el cartucho de la batería. Si no sujeta la herramienta y el cartucho de la batería firmemente, pueden resbalar de sus manos y pueden producirse daños en la herramienta o el cartucho de la batería, así como lesiones personales.

Para quitar el cartucho de la batería, mantenga pulsado el botón de la parte frontal del cartucho y retírelo.

Para instalar el cartucho de la batería, alinee la lengüeta situada en el cartucho de la batería con la ranura del alojamiento e insértela. Insértelo completamente hasta que quede firmemente encajado con un clic. Si puede ver

el indicador rojo de la zona superior del botón, significa que el cartucho no está encajado completamente.

### ⚠ PRECAUCIÓN:

- Instale siempre completamente el cartucho de la batería de forma que el indicador rojo quede oculto. De lo contrario, el cartucho puede desprenderse accidentalmente de la herramienta y causar lesiones al operario o a alguna persona que se encuentre cerca.
- No presione excesivamente el cartucho de la batería para instalarlo. Si el cartucho no entra con suavidad, significa que no lo está instalando correctamente.

### Sistema de protección de la batería (batería de iones de litio con una marca de estrella) (Fig. 2)

Las baterías de iones de litio con una marca de estrella están equipadas con un sistema de protección. Este sistema corta automáticamente la alimentación a la herramienta para ampliar la duración de la batería.

La herramienta se detendrá automáticamente durante el funcionamiento si la herramienta y/o la batería se someten a los siguientes estados:

- Sobrecarga:  
La herramienta se utiliza de una forma que hace que consuma una cantidad anómalamente alta de corriente. En ese caso, suelte el interruptor disparador de la herramienta y detenga la aplicación que provocaba que la herramienta se sobrecargara. A continuación vuelva a accionar el interruptor disparador para reanudar las operaciones. Si la herramienta no se pone en marcha, la batería se sobrecalentará. En ese caso, deje que la batería se enfríe antes de volver a accionar el interruptor disparador.
- Tensión de la batería baja:  
La capacidad restante de la batería es demasiado baja y la herramienta no funcionará. En ese caso, extraiga y recargue la batería.

### Indicación de la capacidad restante de la batería

(Solo para cartuchos de la batería con "B" al final del número de modelo.) (Fig. 3)

Pulse el botón de comprobación del cartucho de la batería para indicar la capacidad restante de la batería. Las luces indicadoras se encienden durante unos segundos.



| Luces indicadoras |         |          | Capacidad restante                          |
|-------------------|---------|----------|---|
| Iluminada         | Apagado | Parpadea |   |
|                   |         |          | 75% a 100%                                  |
|                   |         |          | 50% a 75%                                   |
|                   |         |          | 25% a 50%                                   |
|                   |         |          | 0% a 25%                                    |
|                   |         |          | Cargue la batería.                          |
|                   |         |          | Es posible que la batería se haya averiado. |
|                   |         |          |   |

015658

#### NOTA:

- En función de las condiciones de uso y de la temperatura ambiente, la indicación puede diferir ligeramente de la capacidad real.

| Luz indicadora                             | Estado  | Acción que debe realizarse                           |
|--|---|--|
| La luz parpadea de color rojo.             | Indica el tiempo aproximado para reemplazar el cartucho de la batería cuando la carga de la batería está baja.                  | Recargue el cartucho de la batería lo antes posible. |
| La luz se enciende de color rojo. (Nota 1) | Esta función se activa cuando la carga de la batería casi se ha agotado. En ese caso, la herramienta se detiene inmediatamente. | Recargue el cartucho de la batería.                  |
| La luz se enciende de color rojo. (Nota 1) | Parada automática causada por una sobrecarga  | Apague la herramienta.                               |

Nota 1: El momento en el que se enciende la luz indicadora varía en función de la temperatura de la zona de trabajo y del estado del cartucho de la batería.

010970

## FUNCIONAMIENTO

### ⚠ PRECAUCIÓN:

- Tenga cuidado de no entrar en contacto accidentalmente con una valla metálica u otros objetos duros mientras corta. La cuchilla puede romperse y causar lesiones graves.
- Intentar llegar demasiado lejos con un cortasetos, especialmente desde una escalera, es extremadamente peligroso. No trabaje desde ninguna superficie que se tambalee o no sea firme. (Fig. 6)

No intente cortar ramas de un grosor superior a 10 mm de diámetro con este cortasetos. Primero deben cortarse con cizallas hasta el nivel de corte de setos.

### ⚠ PRECAUCIÓN:

- No corte árboles muertos u objetos duros similares. De lo contrario, podría dañar la herramienta. (Fig. 7)
- Sujete el cortasetos con ambas manos, tire de los interruptores disparadores A y B y después muévelo por delante de su cuerpo. (Fig. 8)
- Como operación de manejo básica, incline las cuchillas en la dirección de corte y mueva el cortasetos

## Acción del gatillo interruptor

### ⚠ PRECAUCIÓN:

- Antes de insertar el cartucho de la batería en la herramienta, asegúrese siempre de que el interruptor disparador funciona como es debido y que vuelve a la posición "OFF" (apagado) al soltarlo. (Fig. 4)

Por su seguridad, esta herramienta está equipada con un sistema dual de interruptores. Para poner en marcha la herramienta, pulse el botón de desbloqueo de los disparadores A y B. Suelte cualquiera de los dos para apagarla. La secuencia de pulsación de los interruptores no es importante, ya que la herramienta solamente se pone en marcha cuando se activan dos interruptores.

## Luz indicadora (Fig. 5)

Mientras la herramienta está en funcionamiento la luz indicadora muestra el estado de capacidad del cartucho de la batería.

Cuando la herramienta también está sobrecargada y se ha detenido durante el funcionamiento, la luz se enciende de color rojo.

Consulte en la siguiente tabla el estado y la acción que se debe tomar para la luz indicadora.

tranquilamente y suavemente a una velocidad de 3 - 4 segundos por metro. (Fig. 9)

Para cortar de forma uniforme la parte superior de un seto, resulta de ayuda atar una cuerda a la altura deseada del seto y cortar a lo largo de ella, usándola como referencia. (Fig. 10)

Si se acopla el receptor de virutas (accesorio opcional) en la herramienta cuando se corta el seto de forma recta, se puede evitar que las hojas salgan despedidas. (Fig. 11)

Para cortar el lateral de un seto de forma uniforme, resulta útil cortar desde la parte inferior hacia arriba. (Fig. 12)

Corte madera de boj o rododendro desde la base hacia la parte superior para lograr un aspecto atractivo y un buen trabajo.

## Instalación o extracción del receptor de virutas (accesorio opcional)

### ⚠ PRECAUCIÓN:

- Asegúrese siempre de que la herramienta esté apagada y desenchufada antes de instalar o extraer el receptor de virutas.



#### NOTA:

- Siempre que reemplace el receptor de virutas, utilice guantes para que las manos y la cara no entren en contacto con la cuchilla. De lo contrario, puede sufrir lesiones personales.
- Asegúrese siempre de que se haya retirado la cubierta de la cuchilla antes de instalar el receptor de virutas.
- El receptor de virutas recibe hojas cortadas y ayuda a recoger las hojas que salen despedidas. Puede instalarse en cualquier lado de la herramienta.

#### (Fig. 13)

Ejercer presión sobre el receptor de virutas en las cuchillas de forma que sus hendiduras se solapen con las tuercas de las cuchillas. (Fig. 14)

A continuación, el receptor de virutas debe instalarse de forma que sus ganchos encajen en las ranuras de la unidad de la cuchilla. (Fig. 15)

Para extraer el receptor de virutas, pulse sus palancas en ambos lados de forma que los ganchos estén desbloqueados.

#### ⚠ PRECAUCIÓN:

- La cubierta de la cuchilla (equipo estándar) no se puede instalar en la herramienta con el receptor de virutas instalado. Antes de transportar o almacenar la herramienta, desinstale el receptor de virutas e instale la cubierta de la cuchilla para evitar la exposición de la cuchilla.

#### NOTA:

- Compruebe si el receptor de virutas está correctamente instalado antes de su uso.
- Nunca intente desinstalar el receptor de virutas aplicando una fuerza excesiva sobre sus ganchos bloqueados en las ranuras de la unidad de la cuchilla. El uso de una fuerza excesiva puede dañarlo.

## MANTENIMIENTO

#### ⚠ PRECAUCIÓN:

- Asegúrese de apagar siempre la herramienta y extraer el cartucho de la batería antes de intentar realizar cualquier trabajo de inspección o mantenimiento en ella.

### Limpieza de la herramienta

Limpie la herramienta eliminando la suciedad con un trapo húmedo o empapado en jabón.

#### ⚠ PRECAUCIÓN:

- Nunca utilice gasolina, benceno, disolvente, alcohol o un producto similar. Se puede provocar una decoloración, una deformación o grietas.

### Mantenimiento de la cuchilla

Engrase la cuchilla antes de su uso, y una vez por hora durante su uso, con aceite para máquina o un producto similar.

#### NOTA:

- Antes de engrasar la cuchilla, extraiga el receptor de virutas.

Tras su uso, elimine la suciedad de ambos lados de la cuchilla con un cepillo de alambre, límpiela con un trapo y después aplique suficiente aceite de baja viscosidad, como aceite para máquina, etc. y aceite lubricante en aerosol.

#### ⚠ PRECAUCIÓN:

- No limpie las cuchillas con agua. En caso contrario se pueden provocar daños o herrumbre en la herramienta.

### Extracción o instalación de la cuchilla de corte

#### ⚠ PRECAUCIÓN:

- Antes de extraer o instalar la cuchilla de corte, asegúrese siempre de que la herramienta esté apagada y que se haya extraído el cartucho de la batería.
- Siempre que reemplace la cuchilla, póngase guantes sin extraer la cubierta de la cuchilla para que las manos y la cara no entren en contacto con la cuchilla. De lo contrario, puede sufrir lesiones personales.

#### NOTA:

- No limpie la grasa de los engranajes o del cigüeñal. De lo contrario, podría dañar la herramienta.

### Extracción de las cuchillas de corte

#### (Fig. 16)

Dé la vuelta a la herramienta, afloje los cuatro tornillos y extraiga la cubierta inferior.

#### NOTA:

- Tenga cuidado de no ensuciarse las manos cuando aplique grasa en el área de empuje de la cuchilla.

#### (Fig. 17)

Afloje los cuatro tornillos y extraiga las cuchillas. Retire la arandela y la esponja de las cuchillas y déjelas a un lado. Se necesitarán para la instalación posterior. (Fig. 18) Si los casquillos aún se encuentran en los orificios del engranaje, retire el engranaje y extraiga los casquillos con un destornillador o un elemento similar.

#### NOTA:

La arandela que se encuentra debajo del engranaje se puede desprender por error cuando se extrae el engranaje. En ese caso, devuélvala a su posición de instalación original.

### Instalación de la cuchilla de corte (Fig. 19)

Extraiga la cubierta de la cuchilla de las cuchillas usadas y encaje la en las nuevas para evitar el contacto con las cuchillas. (Fig. 20)

Ajuste las posiciones de los orificios girando el engranaje tal y como se muestra en la ilustración. (Fig. 21 y 22)

Aplique grasa proporcionada con las nuevas cuchillas tal y como se muestra en la ilustración. (Fig. 23)

Coloque la esponja extraída en la misma posición que la antigua. Asegúrese de que los casquillos proporcionados con las nuevas cuchillas se coloquen en los salientes de la cuchilla. Coloque las nuevas cuchillas en la herramienta de forma que los salientes encajen en los orificios del engranaje. Si los casquillos se desprenden de los salientes accidentalmente, póngalos en los orificios del engranaje previamente. (Fig. 24)

Instale la cuchilla, apriete los cuatro tornillos y coloque la arandela extraída en la misma posición que la antigua. (Fig. 25)

Instale la cubierta inferior en la herramienta y apriete los cuatro tornillos firmemente.

## Almacenamiento

El oficio para ganchos de la parte inferior de la herramienta es útil para colgar la herramienta de un clavo o un tornillo en la pared. (Fig. 26)

Extraiga el cartucho de la batería y coloque la cubierta de la cuchilla en las cuchillas para que no queden expuestas. Guarde la herramienta con cuidado fuera del alcance de los niños.

Guarde la herramienta en un lugar que no esté expuesto al agua y la lluvia.

Para mantener la SEGURIDAD y la FIABILIDAD del producto, las reparaciones y cualquier otra tarea de mantenimiento o ajuste deberán ser realizadas en centros de servicio autorizados por Makita, utilizando siempre repuestos Makita.

## ACCESORIOS OPCIONALES

### ⚠ PRECAUCIÓN:

- Se recomienda el uso de estos accesorios o complementos con la herramienta Makita especificada en este manual. El uso de otros accesorios o complementos puede conllevar el riesgo de ocasionar daños corporales. Utilice los accesorios o complementos solamente para su fin establecido.

Si necesita cualquier ayuda para obtener más información relativa a estos accesorios, pregunte a su centro de servicio Makita local.

- Cubierta de la cuchilla
- Ensamblado de cuchilla de corte
- Batería y cargador originales de Makita
- Receptor de virutas

### NOTA:

- Algunos elementos de la lista se pueden incluir en el paquete de la herramienta como accesorios estándar. Pueden ser diferentes de un país a otro.

### Ruido ENG905-1

Niveles típicos de ruido ponderado A determinados conforme a EN60745:

#### Modelo DUH481, DUH483, DUH521

Nivel de presión de sonido ( $L_{pA}$ ): 75 dB (A)

Incertidumbre (K): 2,5 dB (A)

El nivel de ruido durante el trabajo puede superar los 80 dB (A).

#### Modelo DUH523

Nivel de presión de sonido ( $L_{pA}$ ): 77 dB (A)

Incertidumbre (K): 2,5 dB (A)

El nivel de ruido durante el trabajo puede superar los 80 dB (A).

**Utilice protección para los oídos.**

### Vibración ENG900-1

Valor total de la vibración (suma de vectores triaxiales) determinado conforme a EN60745:

Modo de trabajo: Corte de setos

Emisión de vibraciones ( $a_{hv}$ ): 2,5 m/s<sup>2</sup> o menos

Incertidumbre (K): 1,5 m/s<sup>2</sup>

ENG901-1

- El valor de emisión de vibraciones se ha medido de acuerdo con el método de prueba estándar y se puede utilizar para comparar herramientas.
- El valor de emisión de vibraciones declarado también se puede usar en una evaluación preliminar de la exposición.

### ⚠ ADVERTENCIA:

- La emisión de vibraciones durante el uso de la herramienta eléctrica puede diferir del valor de emisiones declarado, dependiendo de las formas en que se utiliza la herramienta.
- Asegúrese de identificar las mediciones correctas para proteger al operario, que se basan en una estimación de la exposición en condiciones de uso reales (teniendo en cuenta todas las partes del ciclo de operaciones, como los momentos en los que la herramienta está apagada y cuando funciona al ralentí además del tiempo en que está activado el interruptor).

### Sólo para países europeos

ENH040-4

#### Declaración de conformidad de la CE

#### Makita declara que las siguientes máquinas:

Designación de la máquina:

Cortasetos Inalámbrico

Nº de modelo/Tipo: DUH481, DUH483, DUH521, DUH523

Especificaciones: consulte la tabla "ESPECIFICACIONES".

#### Cumplen con las siguientes Directivas europeas:

2000/14/CE, 2006/42/CE

Se han fabricado de acuerdo con los siguientes estándares o documentos estandarizados:

EN60745

El archivo técnico de acuerdo con 2006/42/CE está disponible en:

Makita, Jan-Baptist Vinkstraat 2, 3070, Bélgica

El procedimiento de evaluación de conformidad requerido por la Directiva 2000/14/CE se realizó de acuerdo con el anexo V.

Modelo DUH481

Nivel de potencia sonora medido: 83,2 dB (A)

Nivel de potencia sonora garantizado: 86 dB (A)

Modelo DUH483

Nivel de potencia sonora medido: 83,8 dB (A)

Nivel de potencia sonora garantizado: 88 dB (A)

Modelo DUH521

Nivel de potencia sonora medido: 82,9 dB (A)

Nivel de potencia sonora garantizado: 86 dB (A)

Modelo DUH523

Nivel de potencia sonora medido: 84,3 dB (A)

Nivel de potencia sonora garantizado: 89 dB (A)

28. 4. 2015

Yasushi Fukaya  
Director

Makita, Jan-Baptist Vinkstraat 2, 3070, Bélgica

# PORTUGUÊS (Instruções de origem)

## Descrição geral

- |                                 |  |                         |
|---------------------------------|--|-------------------------|
| 1. Indicador vermelho           | 13. Incline as lâminas                       | 24. Parafusos           |
| 2. Botão                        | 14. Fio                                      | 25. Cobertura inferior  |
| 3. Bateria                      | 15. Pressione                                | 26. Esponja             |
| 4. Marca de estrela             | 16. Receptor de chip                         | 27. Anilha              |
| 5. Lâmpadas indicadoras         | 17. Porca                                    | 28. Engrenagem          |
| 6. Botão de verificação         | 18. Lâmina da tesoura                        | 29. Mangas              |
| 7. Gatilho A                    | 19. Ganchos                                  | 30. Ranhura             |
| 8. Gatilho B                    | 20. Instale os ganchos na ranhura            | 31. Cobertura da lâmina |
| 9. Botão de bloqueio            | 21. Ranhuras                                 | 32. Massa lubrificante  |
| 10. Luz indicadora              | 22. Pressione as alavancas em ambos os lados | 33. Lâmina              |
| 11. Direcção da aparagem        |  |                         |
| 12. Superfície da sebe a aparar | 23. Desbloqueie os ganchos                   |                         |

## ESPECIFICAÇÕES

| Modelo                                 | DUH481             |                              | DUH483                                    |  | DUH521             |                              | DUH523                                    |  |
|--|--------------------|------------------------------|---|--|--------------------|------------------------------|---|--|
| Comprimento da lâmina                  | 480 mm             |                              |   |  | 520 mm             |                              |   |  |
| Cortes por minuto (min <sup>-1</sup> ) | 1.350              |                              |   |  |                    |                              |   |  |
| Tensão nominal                         | D.C.14,4 V         |                              | D.C.18 V                                  |  | D.C.14,4 V         |                              | D.C.18 V                                  |  |
| Comprimento total                      | 869 mm             | 881 mm                       | 873 mm                                    | 888 mm   | 919 mm             | 931 mm                       | 923 mm                                    | 938 mm   |
| Peso líquido                           | 2,9 kg             | 3,1 kg                       | 3,0 kg                                    | 3,2 kg   | 3,0 kg             | 3,2 kg                       | 3,0 kg                                    | 3,3 kg   |
| Bateria                                | BL1415/<br>BL1415N | BL1430/<br>BL1440/<br>BL1450 | BL1815/<br>BL1815N/<br>BL1820/<br>BL1820B | BL1830/<br>BL1840/<br>BL1840B/<br>BL1850/<br>BL1850B | BL1415/<br>BL1415N | BL1430/<br>BL1440/<br>BL1450 | BL1815/<br>BL1815N/<br>BL1820/<br>BL1820B | BL1830/<br>BL1840/<br>BL1840B/<br>BL1850/<br>BL1850B |
| Carregador da bateria                  | DC18RC, DC18SD     |                              |   |  |                    |                              |   |  |

- Devido à pesquisa e desenvolvimento constantes, estas especificações estão sujeitas a alteração sem aviso prévio.
- As especificações e o cartucho da bateria podem ser diferentes consoante o país.
- Peso, com a bateria, de acordo com o procedimento EPTA de 01/2003

### Símbolo

END013-4

Descrição dos símbolos utilizados no equipamento.  
Certifique-se de que compreende o seu significado, antes da utilização.



..... Leia o manual de instruções.



..... Não exponha a extensão à chuva.



..... Apenas para países da UE  
Não deite equipamentos eléctricos ou a bateria no lixo doméstico!  
De acordo com as directivas europeias sobre ferramentas eléctricas e electrónicas usadas e baterias, acumuladores e baterias usadas e a sua aplicação em conformidade com as leis nacionais, as ferramentas eléctricas, as baterias e conjuntos usados devem ser recolhidos em separado e encaminhados para uma instalação de reciclagem dos materiais ecológicos.

### Utilização prevista

ENE014-1

A ferramenta destina-se a aparar cercas vivas.

## Avisos gerais de segurança para ferramentas eléctricas

GEA010-1

**⚠ AVISO** Leia todos os avisos de segurança e todas as instruções. O não cumprimento dos avisos e instruções pode resultar na ocorrência de choques eléctricos, incêndios e/ou ferimentos graves.

## Guarde todos os avisos e instruções para referência futura.

## AVISOS DE SEGURANÇA DO APARADOR DE CERCÁ VIVA A BATERIA

GEB062-5

1. Mantenha todas as partes do corpo longe da lâmina cortante. Não retire material de corte nem pegue no material a cortar quando as lâminas estiverem em funcionamento. Certifique-se de que o interruptor está desligado quando retirar o

- materiais encravados.** Um momento de desatenção enquanto utilizar o aparador de cerca viva poderá resultar em ferimentos pessoais graves.
2. **Transporte o aparador de cerca viva pela pega com a lâmina cortante parada. Ao transportar ou armazenar o aparador de cerca viva, instale sempre a tampa do dispositivo de corte.** Um manuseamento adequado do aparador de cerca viva reduzirá possíveis ferimentos pessoais provocados pelas lâminas cortantes.
  3. **Apenas segure na ferramenta eléctrica pelas superfícies de pega isoladas, uma vez que a lâmina de corte pode tocar em cabos eléctricos escondidos.** As lâminas de corte em contacto com um fio eléctrico ligado à corrente podem electrificar as peças de metal da ferramenta e provocar um choque.
  4. Não utilize o aparador de cerca viva na chuva ou em condições molhadas ou muito húmidas. O motor eléctrico não é à prova de água.
  5. As pessoas que estejam a utilizar este aparelho pela primeira vez devem pedir a um aparador de cerca viva com experiência para lhes mostrar como usar o aparador.
  6. O aparador de cerca viva não deve ser utilizado por crianças ou jovens com menos de 18 anos. Os jovens com mais de 16 anos podem estar isentos desta restrição se estiverem a receber formação sob a supervisão de um perito.
  7. Use o aparador de cerca viva apenas se estiver em boas condições físicas. Se estiver cansado, a sua atenção será reduzida. Tenha especial atenção no fim de um dia de trabalho. Efectue todos os trabalhos com calma e cuidado. O utilizador é responsável por todos os danos a terceiros.
  8. Nunca use o aparador sob a influência do álcool, drogas ou medicamentos.
  9. Luvas de trabalho de pele fazem parte do equipamento básico do aparador de cerca viva e devem ser sempre usadas quando o operar. Use também sapatos resistentes com solas antiderrapantes.
  10. Antes de começar a trabalhar, certifique-se de que o aparador está em condições de funcionamento boas e seguras. Certifique-se de que as guardas estão devidamente instaladas. O aparador de cerca viva não deve ser usado a menos que esteja devidamente montado.
  11. Certifique-se de que está bem equilibrado antes de iniciar a operação.
  12. Mantenha a ferramenta segura quando usar a ferramenta.
  13. Não utilize a ferramenta sem carga, sem ser necessário.
  14. Desligue imediatamente o motor e retire a bateria se o cortador entrar em contacto com uma vedação ou outros objectos duros. Verifique a lâmina cortante e, se estiver danificada, repare-a imediatamente.
  15. Antes de verificar a lâmina cortante, reparar avarias ou retirar material preso na lâmina, desligue sempre o aparador e retire a bateria.
  16. Desligue o aparador e retire a a bateria antes de efectuar qualquer trabalho de manutenção.
  17. Quando mover o aparador de cerca viva para outro local, incluindo durante o trabalho, retire sempre o

- cortado da bateria e coloque a tampa da lâmina sobre as lâminas de corte. Nunca transporte o aparador com a lâmina de corte em funcionamento. Nunca agarre a lâmina cortante com as suas mãos.
18. Limpe o aparador de cerca viva e especialmente a lâmina cortante após a utilização, e antes de colocar o aparador em armazenamento durante períodos alargados. Lubrifique ligeiramente a lâmina de corte e coloque a cobertura. A cobertura fornecida com a unidade pode ser pendurada na parede, fornecendo uma forma prática de guardar o aparador de cerca viva.
  19. Guarde o aparador de cerca viva com a cobertura colocada, num local seco. Mantenha-o fora do alcance de crianças. Nunca guarde o aparador no exterior.

## GUARDE ESTAS INSTRUÇÕES.



### AVISO:

**NÃO deixe que o conforto ou familiaridade com o produto (obtida de uma utilização regular) substituam um cumprimento severo das regras de segurança do produto em causa. Uma UTILIZAÇÃO INCORRECTA ou não cumprimento das regras de segurança indicadas neste manual de instruções podem provocar ferimentos pessoais sérios.**

## INSTRUÇÕES DE SEGURANÇA IMPORTANTES

ENC007-9

## RELATIVAS À BATERIA

1. **Antes de utilizar a bateria, leias as instruções e chamadas de atenção sobre: (1) o carregador da bateria, (2) a bateria e (3) o produto que utiliza a bateria.**
2. **Não desmonte a bateria.**
3. **Se o tempo de utilização com a bateria se tornar demasiado curto, deve parar imediatamente. Se continuar, pode causar sobreaquecimento, incêndio e mesmo explosão.**
4. **Se o electrólito entrar em contacto com os olhos, enxágue-os com água limpa e consulte imediatamente um médico. Os riscos incluem perda de visão.**
5. **Não provoque um curto-circuito na bateria:**
  - (1) **Não deixe que quaisquer materiais condutores entrem em contacto com os terminais da bateria.**
  - (2) **Evite guardar a bateria juntamente com outros objectos de metal como pregos, moedas, etc.**
  - (3) **Não exponha a bateria a água ou chuva. Um curto-circuito na bateria pode criar uma grande carga eléctrica, sobreaquecimento, possíveis queimaduras e mesmo uma avaria.**
6. **Não guarde a ferramenta e a bateria em locais onde a temperatura possa atingir ou exceder 50°C (122°F).**
7. **Não incinere a bateria, nem mesmo se esta estiver irremediavelmente danificada ou completamente gasta. Pode explodir num incêndio.**

8. Não a deixe cair e evite o choque com outros objectos.
9. Não utilize uma bateria danificada.
10. Siga os regulamentos locais relacionados com a eliminação da bateria.

## GUARDE ESTAS INSTRUÇÕES.

### Sugestões para o máximo de tempo de vida da bateria

1. Não espere que a bateria se gaste completamente para voltar a carregá-la.  
Pare a ferramenta e carregue a bateria sempre que detectar um baixo nível de energia.
2. Nunca volte a carregar uma bateria já completamente carregada.  
O carregamento excessivo diminui o tempo de vida das baterias.
3. Carregue a bateria em locais onde a temperatura se situe entre 10°C e 40°C (50°F - 104°F). Se a bateria estiver quente, deixe-a arrefecer antes de iniciar o carregamento.
4. Carregue a bateria em caso de inatividade durante um longo período de tempo (mais de seis meses).

## DESCRIÇÃO DO FUNCIONAMENTO

### ⚠ PRECAUÇÃO:

- Certifique-se sempre de que a ferramenta está desligada e que a bateria foi removida antes de proceder a ajustes ou testar acessórios.

### Inserir ou retirar a bateria (Fig. 1)

#### ⚠ PRECAUÇÃO:

- Desligue sempre a ferramenta antes de instalar ou retirar a bateria.
- **Segure bem a ferramenta e a bateria quando instalar ou retirar a bateria.** Se não segurar bem a ferramenta e a bateria, pode fazer com que caiam das mãos e provoquem danos na ferramenta e na bateria e ferimentos pessoais.

Para retirar a bateria, mantenha premido o botão na frente da bateria e puxe.

Para colocar a bateria, alinhe a respectiva saliência com a calha do compartimento e encaixe-a suavemente. Insira-a completamente até fixar em posição com um clique. Se ainda estiver visível o indicador vermelho na parte superior do botão, não estará bem encaixado.

#### ⚠ PRECAUÇÃO:

- Instale sempre a bateria completamente, até deixar de ver o indicador vermelho. Caso contrário, pode cair da ferramenta e causar ferimentos em si, ou em alguém que esteja perto de si.
- Não instale a bateria forçosamente. Se não encaixar facilmente é porque não está correctamente posicionada.

## Sistema de protecção da bateria (Bateria de iões de lítio com uma marca de estrela) (Fig. 2)

As baterias de iões de lítio com uma marca de estrela estão equipadas com um sistema de protecção. Este sistema corta automaticamente a alimentação para prolongar a vida útil da bateria.







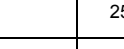

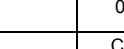



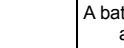

A ferramenta pára automaticamente durante o funcionamento quando a ferramenta e/ou bateria são colocadas numa das condições seguintes:

- Sobrecarregada:  
A ferramenta é utilizada de tal forma que atrai uma corrente involuntariamente alta.  
Nesta situação, solte o gatilho da ferramenta e pare a aplicação que causou a sobrecarga. De seguida, prima novamente o gatilho para reiniciar.  
Se a ferramenta não ligar, a bateria está sobreaquecida. Nesta situação, deixe a bateria arrefecer antes de premir novamente o gatilho.
- Tensão baixa da bateria:  
A carga restante da bateria é demasiado baixa e a ferramenta não funciona. Nesta situação, retire e recarregue a bateria.

### Indicar a carga restante da bateria

(Apenas para baterias com "B" no final do número de modelo.) (Fig. 3)

Prima o botão de verificação na bateria para indicar a carga restante da bateria. As lâmpadas indicadoras acendem-se durante alguns segundos.

| Lâmpadas indicadoras  |   |  | Carga restante               |
|---|---|--|------------------------------|
|  Acesa |  Apagada |  Intermitente |                              |
|        |   |  | 75% a 100%                   |
|        |   |  | 50% a 75%                    |
|       |         |  | 25% a 50%                    |
|      |        |  | 0% a 25%                     |
|      |        |  | Carregue a bateria.          |
|      |        |             | A bateria pode ter avariado. |

015658

#### NOTA:

- Consoante as condições de utilização e a temperatura ambiente, a indicação pode ser ligeiramente diferente da carga real.

### Acção do interruptor

#### ⚠ PRECAUÇÃO:

- Antes de inserir a bateria na ferramenta, verifique se o gatilho está a funcionar correctamente e se regressa à posição "OFF" quando o solta. (Fig. 4)

Para sua segurança, esta ferramenta está equipada com um sistema de ligação dupla. Para ligar a ferramenta, pressione o botão de bloqueio e pressione os gatilhos A e B. Solte um dos dois gatilhos pressionados para desligar. A sequência da ligação não é importante porque a ferramenta arranca apenas quando ambos os interruptores estiverem activados.

## Luz indicadora (Fig. 5)

Colocar a ferramenta em funcionamento permite à luz indicadora mostrar o estado de capacidade da bateria. Além disso, quando a ferramenta é sobrecarregada e parou durante o funcionamento, a luz acende-se a vermelho.

Consulte a tabela seguinte para o estado e acção a tomar relativamente à luz indicadora.

| Luz indicadora                       | Estado   | Acção a efectuar                         |
|--------------------------------------|--|--|
| A luz pisca a vermelho               | Isto indica o tempo adequado para substituir a bateria quando a carga da bateria estiver fraca.                          | Recarregue a bateria assim que possível. |
| A luz acende-se a vermelho. (Nota 1) | Esta função é activada quando a carga da bateria está praticamente gasta. A este ponto, a ferramenta pára imediatamente. | Recarregue a bateria.                    |
| A luz acende-se a vermelho. (Nota 1) | Paragem automática devido a sobrecarga   | Desligue a ferramenta.                   |

Nota 1: O momento em que a luz indicadora acende, varia de acordo com a temperatura em redor da área de trabalho e de acordo com as condições da bateria.

010970

## FUNCIONAMENTO

### ⚠ PRECAUÇÃO:

- Tenha cuidado para não entrar em contacto, acidentalmente, com uma vedação de metal ou outros objectos duros ao aparar. A lâmina quebrará e poderá causar ferimentos graves.
- Estender-se com um aparador de cerca viva, especialmente de uma escada, é muito perigoso. Não trabalhe em cima de superfícies instáveis ou desequilibradas. (Fig. 6)

Não tente cortar ramos com um diâmetro superior a 10 mm com este aparador. Estas devem ser cortadas primeiro com tesouras para o nível de aparagem da sebe.

### ⚠ PRECAUÇÃO:

- Não corte árvores mortas ou objectos duros semelhantes. Caso contrário poderá danificar a ferramenta. (Fig. 7)

Segure o aparador com ambas as mãos e pressione o gatilho A ou B e, de seguida, mova-o para a frente do seu corpo. (Fig. 8)

Como operação básica, incline as lâminas para a direcção da aparagem e mova-as calma e lentamente a uma velocidade de 3 - 4 segundos por metro. (Fig. 9)

Para cortar o topo de uma sebe de igual forma, ajuda-se a atar um fio à altura da sebe desejada e se aparar ao longo dele, usando-o como linha de referência. (Fig. 10)

Prender o receptor de chip (acessório opcional) na ferramenta quando aparar a sebe a direito pode evitar que folhas cortadas sejam deitadas fora. (Fig. 11)

Para cortar um lado da sebe de forma igual, ajuda cortar do fundo para o topo. (Fig. 12)

Apare o buxo e rododendro da base para o topo para um aspecto agradável e um bom trabalho.

## Instalar ou remover o receptor de chip (acessório opcional)

### ⚠ PRECAUÇÃO:

- Certifique-se sempre de que a ferramenta está desligada no interruptor e da tomada antes de instalar ou remover o receptor de chip.

### NOTA:

- Ao substituir o receptor do chip, use sempre luvas para que as mãos e face não entrem em contacto directo com a lâmina. Caso contrário, poderá causar ferimentos.
- Certifique-se de que retira a cobertura da lâmina antes de instalar o colector de aparas.
- O apanha- aparas recebe as folhas cortadas e alivia a recolha das folhas deitadas fora. Pode ser instalado de qualquer dos lados. (Fig. 13)

Pressione o receptor do chip para as lâminas da tesoura para que as suas fendas se sobreponham às porcas nas lâminas da tesoura. (Fig. 14)

A esta altura, o receptor do chip precisa de ser instalado para que os seus ganchos encaixem nas ranhuras na unidade da lâmina da tesoura. (Fig. 15)

Para remover o receptor do chip, pressione a sua alavanca em ambos os lados para que os ganchos sejam desbloqueados.

### ⚠ PRECAUÇÃO:

- A cobertura da lâmina (equipamento standard) não pode ser instalada na ferramenta com o receptor do chip a ser instalado. Antes de transportar ou armazenar, desinstale o receptor do chip e instale a cobertura da lâmina para evitar a exposição da lâmina.

### NOTA:

- Verifique o receptor do chip para uma instalação segura antes da utilização.
- Nunca tente desinstalar o receptor do chip através de força excessiva com os seus ganchos bloqueados nas ranhuras da unidade da lâmina. Se usar força excessiva poderá danificá-lo.

# MANUTENÇÃO

## PRECAUÇÃO:

- Certifique-se sempre de que a ferramenta está desligada e a bateria removida antes de efectuar operações de inspecção ou de manutenção.

## Limpar a ferramenta

Limpe a ferramenta retirando o pó com um pano seco ou embebido em sabão.

## PRECAUÇÃO:

- Nunca utilize gasolina, benzina, diluente, álcool ou semelhante. Podem formar-se descolorações, deformações ou fissuras.

## Manutenção da lâmina

Unte a lâmina antes e uma vez por hora durante a operação usando óleo da máquina ou semelhantes.

### NOTA:

- Antes de untar a lâmina, retire o receptor de chip. Depois do funcionamento, retire o pó de ambos os lados da lâmina com uma escova de arame, limpe-a com um pano e depois aplique óleo de viscosidade baixa como óleo da máquina, etc. e óleo lubrificante tipo spray.

## PRECAUÇÃO:

- Não lave as lâminas com água. Se o fizer, a ferramenta poderá ficar enferrujada ou danificada.

## Remover ou instalar a lâmina da tesoura

### PRECAUÇÃO:

- Antes de retirar ou instalar a lâmina da tesoura, certifique-se sempre de que a ferramenta está desligada e a bateria removida.
- Ao substituir a lâmina da tesoura, use sempre luvas sem remover a cobertura da lâmina para que as mãos e face não entrem em contacto directo com a lâmina. Caso contrário, poderá causar ferimentos.

### NOTA:

- Não limpe a massa lubrificante da engrenagem e da manivela. Caso contrário poderá danificar a ferramenta.

## Remover as lâminas da tesoura (Fig. 16)

Inverta a ferramenta e solte os quatro parafusos e remova a cobertura inferior.

### NOTA:

- Tenha cuidado para não sujar as suas mãos porque é aplicada massa lubrificante na área de condução da lâmina da tesoura. (Fig. 17)

Solte os quatro parafusos e remova as lâminas. Remova a anilha e a esponja das lâminas da tesoura e coloque-as de lado. São necessárias para instalação posterior. (Fig. 18)

Se as mangas ainda estiverem nos orifícios da engrenagem, remova a engrenagem e empurre as mangas para fora com uma chave de fendas ou semelhante.

### NOTA:

A anilha debaixo da engrenagem pode sair por engano ao remover a engrenagem. Neste caso, reponha-a na posição original, como foi instalada.

## Instalar a lâmina da tesoura (Fig. 19)

Remova a cobertura da lâmina das antigas lâminas da tesoura e instale-a nas novas, para evitar o contacto com as lâminas. (Fig. 20)

Ajuste as posições dos orifícios rodando a engrenagem, tal como ilustrado. (Fig. 21 e 22)

Aplique alguma massa lubrificante fornecida com as novas lâminas de tesoura, como ilustrado. (Fig. 23)

Coloque a esponja removida na mesma posição da antiga. Certifique-se de que as mangas fornecidas com as novas lâminas de tesoura são colocadas nos pinos da lâmina. Coloque as novas lâminas de tesoura na ferramenta de forma a que os pinos alinham com os orifícios na engrenagem. Se as mangas dos pinos saírem por engano, coloque-os previamente nos orifícios da engrenagem. (Fig. 24)

Instale a lâmina e aperte os quatro parafusos, e coloque a anilha removida na mesma posição da antiga. (Fig. 25)

Instale a cobertura inferior na ferramenta e aperte bem os quatro parafusos.

## Armazenamento

O orifício do gancho no fundo da ferramenta é conveniente para pendurar a ferramenta num prego ou parafuso na parede. (Fig. 26)

Retire a bateria e coloque a cobertura da lâmina nas lâminas da tesoura para que as lâminas não fiquem expostas. Mantenha a ferramenta fora do alcance das crianças, com cuidado.

Guarde a ferramenta num local que não esteja exposto a água e chuva.

Para manter os níveis de SEGURANÇA e FIABILIDADE definidos para este produto, as reparações e os procedimentos de manutenção ou ajustes devem ser executados por centros de assistência Makita autorizados, utilizando sempre peças de substituição Makita.

## ACESSÓRIOS OPCIONAIS

### PRECAUÇÃO:

- Os seguintes acessórios ou extensões são os recomendados para utilizar com a ferramenta Makita especificada neste manual. A utilização de quaisquer outros acessórios poderá representar um risco de ferimento para as pessoas. Apenas utilize o acessório para o fim indicado.

Se precisar de informações adicionais relativas aos acessórios, contacte o centro local de assistência Makita.

- Cobertura da lâmina
- Montagem da lâmina da tesoura
- Bateria e carregador genuínos da Makita
- Receptor de chip

### NOTA:

- Alguns itens na lista podem estar incluídos no pacote de ferramentas como acessórios de série. Podem diferir de país para país.



## Ruído

ENG905-1

O nível de ruído ponderado A típico determinado, de acordo com EN60745:

### Modelo DUH481, DUH483, DUH521

Nível de pressão sonora ( $L_{pA}$ ): 75 dB (A)

Incerteza (K): 2,5 dB (A)

O nível de ruído quando em funcionamento pode exceder os 80 dB (A).

### Modelo DUH523

Nível de pressão sonora ( $L_{pA}$ ): 77 dB (A)

Incerteza (K): 2,5 dB (A)

O nível de ruído quando em funcionamento pode exceder os 80 dB (A).

### Use protecção para os ouvidos.

## Vibração

ENG900-1

O valor total de vibração (soma vector triaxial) determinado, de acordo com EN60745:

Modo de trabalho: aparador de cerca viva

Emissão de vibrações ( $a_h$ ): 2,5 m/s<sup>2</sup> ou menos

Incerteza (K): 1,5 m/s<sup>2</sup>

ENG901-1

- O valor da emissão de vibração declarado foi medido de acordo com o método de teste padrão e pode ser utilizado para comparar uma ferramenta com outra.
- O valor da emissão de vibração declarado pode também ser utilizado numa avaliação preliminar de exposição.

## ⚠ AVISO:

- A emissão de vibração durante a utilização real da ferramenta eléctrica pode ser diferente do valor de emissão declarado, dependendo da forma como a ferramenta é utilizada.
- Certifique-se de que identifica medidas de segurança, para proteger o operador, que são baseadas numa estimativa de exposição nas condições reais de utilização (tendo em conta todas as partes do ciclo de funcionamento, como as vezes que a ferramenta é desligada e quando está a trabalhar ao ralenti, além do tempo de utilização).

## Apenas para países europeus

ENH040-4

### Declaração de conformidade CE

#### A Makita declara que as máquinas:

Designação da máquina:

Aparador De Cerca Viva a Bateria

Nº/Tipo de modelo: DUH481, DUH483, DUH521, DUH523

Especificações: consulte a tabela

"ESPECIFICAÇÕES".

### Estão em conformidade com as directivas europeias seguintes:

2000/14/EC, 2006/42/EC

São fabricadas de acordo com as normas e documentos normalizados seguintes:

EN60745

A ficha técnica em conformidade com a norma

2006/42/EC está disponível a partir de:

Makita, Jan-Baptist Vinkstraat 2, 3070, Bélgica

O procedimento de avaliação da conformidade requisitado pela Directiva 2000/14/EC estava em conformidade com o anexo V.

Modelos DUH481

Nível de potência sonora medida: 83,2 dB (A)

Nível de potência sonora garantida: 86 dB (A)

Modelos DUH483

Nível de potência sonora medida: 83,8 dB (A)

Nível de potência sonora garantida: 88 dB (A)

Modelos DUH521

Nível de potência sonora medida: 82,9 dB (A)

Nível de potência sonora garantida: 86 dB (A)

Modelos DUH523

Nível de potência sonora medida: 84,3 dB (A)

Nível de potência sonora garantida: 89 dB (A)

28. 4. 2015



Yasushi Fukaya

Director

Makita, Jan-Baptist Vinkstraat 2, 3070, Bélgica



## DANSK (Originalvejledning)

### Forklaring til generel oversigt

- |   |   |                  |
|---|---|------------------|
| 1. Rød indikator                        | 13. Hold sværdet på skrå                          | 25. Underdæksel  |
| 2. Knap                                 | 14. Snor  | 26. Svamp        |
| 3. Batteripakke                         | 15. Tryk  | 27. Skive        |
| 4. Stjernemærkning                      | 16. Flisopsamler                                  | 28. Tandhjul     |
| 5. Indikatorlamper                      | 17. Møtrik  | 29. Bøsninger    |
| 6. Kontrolknap                          | 18. Sværd   | 30. Rille        |
| 7. Kontaktgreb A                        | 19. Kroge   | 31. Sværdhylster |
| 8. Kontaktgreb B                        | 20. Placer krogene i rillerne                     | 32. Fedtstof     |
| 9. Aflåseknop                           | 21. Riller  | 33. Sværd        |
| 10. Indikatorlampe                      | 22. Tryk på udløsningsmekanismerne på begge sider |                  |
| 11. Klipperetning                       | 23. Frigør krogene                                |                  |
| 12. Den hækkeoverflade der skal klippes | 24. Skruer  |                  |

## SPECIFIKATIONER

| Model                               | DUH481             |                              | DUH483                                    |  | DUH521             |                              | DUH523                                    |  |
|-------------------------------------|--------------------|------------------------------|---|--|--------------------|------------------------------|---|--|
| Sværdlængde                         | 480 mm             |                              |   |  | 520 mm             |                              |   |  |
| Snit pr. minut (min <sup>-1</sup> ) | 1.350              |                              |   |  |                    |                              |   |  |
| Nominal spænding                    | 14,4 V DC          |                              | 18 V DC                                   |  | 14,4 V DC          |                              | 18 V DC                                   |  |
| Længde i alt                        | 869 mm             | 881 mm                       | 873 mm                                    | 888 mm   | 919 mm             | 931 mm                       | 923 mm                                    | 938 mm   |
| Nettovægt                           | 2,9 kg             | 3,1 kg                       | 3,0 kg                                    | 3,2 kg   | 3,0 kg             | 3,2 kg                       | 3,0 kg                                    | 3,3 kg   |
| Batteripakke                        | BL1415/<br>BL1415N | BL1430/<br>BL1440/<br>BL1450 | BL1815/<br>BL1815N/<br>BL1820/<br>BL1820B | BL1830/<br>BL1840/<br>BL1840B/<br>BL1850/<br>BL1850B | BL1415/<br>BL1415N | BL1430/<br>BL1440/<br>BL1450 | BL1815/<br>BL1815N/<br>BL1820/<br>BL1820B | BL1830/<br>BL1840/<br>BL1840B/<br>BL1850/<br>BL1850B |
| Batteriplader                       | DC18RC, DC18SD     |                              |   |  |                    |                              |   |  |

- På grund af vores løbende forsknings- og udviklingsprogram kan specifikationerne heri ændres uden forudgående varsel.
- Specifikationerne og batteripakken kan variere fra land til land.
- Vægt, inklusive batteripakken, i henhold til EPTA-Procedure 01/2003

### Symbol

ENE013-4

Her vises de symboler, der benyttes til udstyret. Vær sikker på, at du forstår deres betydning, før du bruger udstyret.



..... Læs brugsanvisningen.



..... Udsæt den ikke for regn.



..... Kun for EU-lande

Elektrisk udstyr eller batteripakke må ikke bortskaffes sammen med almindeligt affald!

I henhold til det europæiske direktiv om bortskaffelse af elektriske og elektroniske produkter og om batterier og akkumulatører og bortskaffelse af batterier og akkumulatører og deres implementering under gældende national lovgivning skal brugt elektrisk udstyr, batterier og batteripakke(r), der har udtjent deres levetid, indsamles

separat og returneres til miljøgodkendt genindvinding.

### Tilsløst anvendelse

ENE014-1

Maskinen er beregnet til klipping af hække.

## Generelle sikkerhedsadvarsler for maskiner

GEA010-1

**⚠ ADVARSEL Læs alle sikkerhedsadvarsler og alle instruktioner.** Hvis De ikke følger alle advarsler og instruktioner, kan det medføre elektrisk stød, brand og/eller alvorlig personskade.

## Gem alle advarsler og instruktioner til senere reference.

## SIKKERHEDSADVARSLER FOR BATTERIDREVT HÆKKEKLIPPER

GEB062-5

1. Hold alle kropsdele på afstand af knivene. Fjern ikke afskåret materiale og hold ikke på materiale,

- der skal skæres af, mens knivene arbejder. Sørg for, at kontakten er slukket, når du fjerner materiale, der har sat sig fast. Ved brug af en hækkeklipper kan et enkelt øjeblikks uopmærksomhed medføre alvorlige personskader.
- Bær hækkeklipperen i håndtaget med stoppede knive. Sæt altid knivhylsteret på, når du transporterer eller opbevarer hækkeklipperen.** Korrekt håndtering af hækkeklipperen reducerer risikoen for personskader pga. kontakt med knivene.
  - Hold kun maskinen i de isolerede gribeblader, da knivene kan komme i kontakt med skulte ledninger.** Hvis knivene kommer i kontakt med en strømførende ledning, kan udsatte metaldele på maskinen blive strømførende, hvorved operatoren kan få elektrisk stød.
  - Benyt ikke hækkeklipperen i regnvej eller under våde eller meget fugtige forhold. Den elektriske motor er ikke vandtæt.
  - Førstegangsbrugere bør få vist hvordan hækkeklipperen skal bruges af en erfaren person.
  - Hækkeklipperen må ikke anvendes af børn eller unge under 18 år. Unge på mindst 16 år er muligvis undtaget fra denne regel, hvis de er under oplæring under opsyn af en ekspert.
  - Brug kun hækkeklipperen hvis du er i god fysisk form. Hvis du er træt, reduceres din koncentrationsevne. Pas især på sidst på arbejdsdagen. Udfør alt arbejde roligt og forsigtigt. Brugeren er ansvarlig for alle skader på tredje parter.
  - Du må aldrig anvende hækkeklipperen under påvirkning af alkohol, narkotika eller medicin.
  - Arbejdshandsker af stærkt læder er en del af basisudstyret til hækkeklipperen og skal altid anvendes, når du arbejder med den. Brug også solide sko med skridsikre såler.
  - Inden du starter, skal du kontrollere, at hækkeklipperen er i god stand og sikker at arbejde med. Sikr dig, at afskærmningerne er ordentligt monterede. Hækkeklipperen må ikke anvendes med mindre den er helt samlet.
  - Sørg for, at du har et sikkert fodfæste, inden du starter på arbejdet.
  - Hold ordentligt fast på maskinen under brug.
  - Kør ikke maskinen mere end nødvendigt uden belastning.
  - Sluk straks for motoren og fjern batteripakken hvis hækkeklipperen skulle komme i kontakt med et hegn eller en anden hård genstand. Efterse hækkeklipperen for skader og få den straks repareret, hvis den er beskadiget.
  - Inden du kontrollerer knivene, udbedrer problemer eller fjerner materiale der sidder fast i knivene, skal du altid først slukke for hækkeklipperen og fjerne batteripakken.
  - Sluk for hækkeklipperen og fjern batteripakken inden der udføres noget vedligeholdelsesarbejde.
  - Du skal altid tage batteripakken ud og sætte sværdhylsteret på, når du flytter hækkeklipperen et andet sted hen, inklusive under arbejdet. Du må aldrig bære eller transportere hækkeklipperen med knivene kørende. Grib aldrig om knivene med hænderne.
  - Rengør hækkeklipperen og især knivene efter brug, samt inden hækkeklipperen lægges væk for en

- længere periode. Put lidt olie på knivene og sæt hylsteret på. Det hylster, der følger med enheden, kan hænges op på væggen og giver derfor mulighed for på sikker og praktisk vis at opbevare hækkeklipperen.
- Opbevar hækkeklipperen med hylsteret på i et tørt rum. Sørg for, at den er uden for børns rækkevidde. Opbevar aldrig hækkeklipperen udendørs.

## GEM DISSE INSTRUKTIONER.

### ⚠ ADVARSEL:

LAD IKKE tryghed eller kendskab til produktet (fra gentagen brug) føre til, at du ikke strengt overholder sikkerhedsreglerne for det gældende produkt. MISBRUG eller manglende overholdelse af sikkerhedsreglerne i denne brugsanvisning kan medføre alvorlig personskade.

## VIGTIGE SIKKERHEDSINSTRUKTIONER

ENC007-9

## FOR BATTERIPAKKEN

- Før brugen af batteripakken skal du læse alle instruktioner og advarsler på (1) batteriopladeren, (2) batteriet og (3) det produkt, som batteriet anvendes i.
- Skil ikke batteripakken ad.
- Hvis driftstiden bliver betydeligt kortere, skal du straks ophøre med brugen. Brug kan medføre risiko for overophedning, risiko for forbrændinger eller endog eksplosion.
- Hvis du får elektrolyt i øjnene, skal du med det samme rense øjnene med rent vand og søge læge. Dette kan medføre tab af synet.
- Kortslut ikke batteripakken:
  - Undgå at røre ved terminalerne med ledende materiale.
  - Undgå at opbevare batteripakken i en beholder med andre metalgenstande som f.eks. søm, mønter osv.
  - Udsæt ikke batteripakken for vand eller regn. Hvis batteriet kortsluttes, kan det medføre voldsom strøm, overophedning, mulige forbrændinger og endog nedbrud.
- Undgå at opbevare værktøjet og batteripakken på steder, hvor temperaturen kan komme op på eller overstige 50°C.
- Sæt ikke ild til batteripakken, selvom den er alvorligt beskadiget eller helt udtjent. Batteripakken kan eksplodere ved brand.
- Undgå at tabe eller slå på batteriet.
- Undlad brug af et beskadiget batteri.
- Følg de lokale bestemmelser med hensyn til bortskaffelse af batteri.

## GEM DISSE INSTRUKTIONER.

## Tips til, hvordan du forlænger batteriets levetid

1. **Oplad batteripakken, før den bliver helt afladet. Ophør med at bruge værktøjet, og udskift batteripakken, hvis strømmen til værktøjet aftager.**
2. **Oplad aldrig en fuldt opladet batteripakke. Overopladning forkorter batteriets levetid.**
3. **Oplad batteripakken ved stuetemperatur på 10°C - 40°C. Lad batteripakken køle ned før den oplades, hvis den er varm.**
4. **Oplad batteripakken, hvis du ikke skal anvende den i en længere periode (mere end seks måneder).**

## FUNKTIONSBESKRIVELSE

### ⚠ FORSIGTIG:

- Sørg altid for, at maskinen er slukket, og at batteripakken er taget ud, før du justerer maskinen eller kontrollerer dens funktion.

### Montering eller afmontering af batteripakken (Fig. 1)

#### ⚠ FORSIGTIG:

- Sluk altid for værktøjet inden montering eller afmontering af batteripakken.
- **Hold godt fast i værktøjet og batteripakken, når du monterer eller afmonterer batteripakken.** Hvis maskinen og batteripakken ikke holdes ordentligt fast, kan de glide ud af hænderne og resultere i skader på maskinen og batteripakken samt personskaade.

Afmonter batteripakken ved at holde ned på knappen foran på batteripakken og skubbe den af værktøjet. Ved montering af batteripakken justeres tungen på batteripakken med rillen i huset, hvorefter pakken skubbes på plads. Sæt den hele vejen ind, indtil den låses på plads med et lille klik. Hvis den røde indikator øverst på knappen er synlig, er batteripakken ikke låst helt fast.

#### ⚠ FORSIGTIG:

- Sæt altid batteripakken helt ind, indtil den røde indikator ikke længere er synlig. Ellers kan den falde ud af værktøjet og skade dig eller andre personer i nærheden.
- Anvend ikke kræfter ved monteringen af batteripakken. Hvis den ikke glider let ind, er den ikke indsat korrekt.

### Batteribeskyttelsessystem (lithium-ion-batteri med stjernemærkning) (Fig. 2)

Lithium-ion-batterier med en stjernemærkning er udstyret med et beskyttelsessystem. Dette system slukker automatisk for strømmen til maskinen for at forlænge batterilevetiden.

Maskinen stopper automatisk under anvendelsen, hvis maskinen og/eller batteriet udsættes for en af de følgende situationer:

- Overbelastning:

Maskinen anvendes på en sådan måde, at det får den til at bruge unormalt meget strøm. I denne situation skal du slippe kontaktgrebet på maskinen og stoppe den anvendelse, som gjorde maskinen overbelastet. Tryk derefter ind på kontaktgrebet for starte igen.

Hvis maskinen ikke starter, er batteriet overbelastet. I denne situation skal du lade batteriet køle af, inden du trykker ind på kontaktgrebet igen.

- Lav batterispænding:

Den resterende batterikapacitet er for lav, og maskinen kan ikke køre. I denne situation skal du afmontere og oplade batteriet.

### Angivelse af den resterende batterikapacitet

(Kun for batteripakker med "B" til sidst i modelnummeret.) (Fig. 3)

Tryk på kontrolknappen på batteripakken for at få angivet den resterende batterikapacitet. Indikatorlamperne lyser i nogle få sekunder.

| Indikatorlamper |         |         | Resterende kapacitet                            |
|-----------------|---------|---------|---|
| Tændt           | Slukket | Blinker |   |
| ■               | □       | ◐       | 75% til 100%                                    |
| ■               | ■       | □       | 50% til 75%                                     |
| ■               | □       | □       | 25% til 50%                                     |
| ■               | □       | □       | 0% til 25%                                      |
| ◐               | □       | □       | Oplad batteriet.                                |
| ■               | ■       | □       | Der opstod muligvis funktionsfejl på batteriet. |

015658

### BEMÆRK:

- Afhængigt af anvendelsesforholdene og den omgivende temperatur, kan angivelsen muligvis afvige en smule fra den egentlige kapacitet.

### Betjening af kontakt

#### ⚠ FORSIGTIG:

- Før batteripakken sættes i maskinen, skal du altid kontrollere, at kontaktgrebet reagerer korrekt og vender tilbage i "OFF"-stillingen, når du slipper det. (Fig. 4)

Denne maskine er af sikkerhedsårsager udstyret med et dobbelt kontaktsystem. Du tænder for maskinen ved at trykke på aflåseknappen og kontaktgreb A og B. Slip et af de to aktiverede kontaktgreb for at slukke for maskinen. Rækkefølgen for aktiveringen af kontaktgrebene er uden betydning, eftersom maskinen kun starter, når begge kontaktgreb er trykket ind.

### Indikatorlampe (Fig. 5)

Når maskinen kører, viser indikatorlampen batteripakkens kapacitetsstatus.

Når maskinen er overbelastet og stopper under arbejdet, lyser lampen rødt.

Se det følgende skema over indikatorlampens status og afhjælpning.

| Indikatorlampe                | Status   | Afhjælpning                                   |
|-------------------------------|--|---|
| Lampen blinker rødt           | Dette angiver det passende tidspunkt for udskiftning af batteripakken, når batteriets strømstyrke sænkes.                  | Genoplad batteripakken så hurtigt som muligt. |
| Lampen lyser rødt. (Bemærk 1) | Denne funktion aktiveres, når strømmen på batteriet næsten er brugt op. På dette tidspunkt stopper maskinen øjeblikkeligt. | Genoplad batteripakken.                       |
| Lampen lyser rødt. (Bemærk 1) | Automatisk stop pga. overbelastning  | Sluk for maskinen.                            |

Bemærk 1: Tidspunktet for hvornår indikatorlampen lyser varierer afhængigt af temperaturen på arbejdsstedet og batteripakkens tilstand.

010970

## BETJENING

### ⚠ FORSIGTIG:

- Sørg for, at du ikke utilsigtet kommer i kontakt med metalhegn eller andre hårde genstande under klipning. Sværdet kan muligvis brække og forårsage alvorlig personskade.
- Det er meget farligt at strække sig meget langt frem med en hækkeklipper, især fra en stige. Udfør ikke arbejde stående på noget der rokker eller ikke står ordentligt fast. (Fig. 6)

Forsøg ikke at klippe grene der er tykkere end 10 mm i diameter med denne hækkeklipper. Disse bør først klippes ned til hækkeklipningsniveau med en grensaks.

### ⚠ FORSIGTIG:

- Klip ikke i døde træer eller lignende hårde genstande. Hvis du gør det, kan det muligvis beskadige maskinen. (Fig. 7)

Hold hækkeklipperen med begge hænder, tryk ind på kontaktgreb A eller B og før derefter hækkeklipperen foran kroppen. (Fig. 8)

Grundlæggende bør du holde sværdet på skrå, vendt mod klipperetningen og stille og roligt føre hækkeklipperen frem med en hastighed på 3 - 4 sekunder pr. meter. (Fig. 9)

Når du skal klippe toppen på hækken lige, hjælper det at spænde en snor ud i den ønskede højde og klippe langs med den, ved at bruge den som en referencelinje. (Fig. 10)

Hvis du monterer flisopsamleren (ekstratilbehør) på maskinen, når du klipper hækken lige, kan du undgå at afskærne blade bliver kastet væk. (Fig. 11)

For at klippe hækstens side lige hjælper det at klippe fra bunden af og op. (Fig. 12)

Når buksbom eller rhododendron klippes nedefra og op mod toppen, får du det bedste resultat.

## Montering og afmontering af flisopsamleren (ekstratilbehør)

### ⚠ FORSIGTIG:

- Sørg altid for, at maskinen er slukket, og at stikket er taget ud af stikkontakten, før du monterer eller afmonterer flisopsamleren.

### BEMÆRK:

- Når du monterer/afmonterer flisopsamleren, skal du altid bære handsker, sådan at hænder og ansigt ikke

kommer i direkte kontakt med sværdet. Ellers kan det medføre personskader.

- Sørg altid for at fjerne sværdhylderet inden montering af flisopsamleren.
- Flisopsamleren modtager de afskårne blade, og gør det lettere at opsamle bortkastede blade. Den kan monteres på begge sider af maskinen. (Fig. 13)

Tryk flisopsamleren ned på sværdet så dens sprækker overlapper med møtrikkerne på sværdet. (Fig. 14) Flisopsamleren skal monteres sådan, at dens kroge passer ind i rillerne på sværdenheden. (Fig. 15) For at afmontere flisopsamleren skal du trykke på udløsningsmekanismen på begge sider, sådan at krogene låses op.

### ⚠ FORSIGTIG:

- Sværdhylderet (standardudstyr) kan ikke monteres på maskinen, mens flisopsamleren er monteret. Inden du bærer på eller opbevarer hækkeklipperen, skal du afmontere flisopsamleren og sætte sværdhylderet på for at undgå kontakt med sværdet.

### BEMÆRK:

- Efterse flisopsamleren inden brug for at sikre ordentlig fastgørelse.
- Forsøg aldrig at afmontere flisopsamleren ved brug af kraft, mens krogene er låst ind i sværdenhedens riller. Brug af overdreven kraft kan beskadige maskinen.

## VEDLIGEHOLDELSE

### ⚠ FORSIGTIG:

- Sørg altid for, at maskinen er slukket, og at batteripakken er taget ud, før du forsøger at udføre inspektion eller vedligeholdelse.

## Rengøring af maskinen

Rengør maskinen ved at tørre den af med en tør klud, eller en der er dyppet i sæbevand.

### ⚠ FORSIGTIG:

- Brug aldrig benzin, benzen, fortynder, alkohol eller lignende. Det kan muligvis medføre misfarvning, deformation eller revner.

## Vedligeholdelse af sværdet

Smør sværdet inden brug, samt én gang i timen under brug med maskinolie eller lignende.

### BEMÆRK:

- Afmonter flisopsamleren inden du smører sværdet.

Efter udført arbejde skal du fjerne støv fra begge sider af sværdet med en stålborste, tørre det af med en klud og derefter påføre rigeligt olie med lav viskositet, som fx maskinolie osv., eller smøreolie på spraydåse.

#### **⚠ FORSIGTIG:**

- Vask ikke sværdet i vand. Det muligvis forårsage rust eller beskadige maskinen.

## Afmontering eller montering af sværd

#### **⚠ FORSIGTIG:**

- Sørg altid for, at maskinen er slukket, og batteripakken er taget ud, før du afmonterer eller monterer sværd.
- Når du udklifter sværdet, skal du altid bære handsker og undgå at fjerne sværdhylsteret, sådan at hænder og ansigt ikke kommer i direkte kontakt med sværdet. Ellers kan det medføre personskader.

#### **BEMÆRK:**

- Tør ikke fedtet af tandhjulet eller krumtappen. Hvis du gør det, kan det muligvis beskadige maskinen.

## Afmontering af sværdet (Fig. 16)

Vend maskinen om og løsn fire skruer så du kan fjerne underdækslet.

#### **BEMÆRK:**

- Pas på dine hænder ikke snavses til eftersom der er smurt med fedt i sværdets bevægelsesområde. (Fig. 17)

Løsn fire skruer og fjern sværdet. Fjern skiven og svampen fra sværdet og læg dem til side. De behøves til senere installation. (Fig. 18)

Hvis bøsningerne stadig er placeret i tandhullets huller, skal du fjerne tandhullet og trykke bøsningerne ud af det med en skruetrækker eller lignende.

#### **BEMÆRK:**

Skiven under tandhullet kan falde af ved fjernelse af tandhullet. I dette tilfælde skal du sætte den tilbage på dens oprindelige position.

## Montering af sværdet (Fig. 19)

Fjern sværdhylsteret fra det gamle sværd og placer det på det nye sværd for at undgå kontakt med sværdet.

#### **(Fig. 20)**

Juster hulpositionerne ved at dreje på tandhullet som illustreret. (Fig. 21 og 22)

Påfør som illustreret noget af det fedtstof som følger med det nye sværd. (Fig. 23)

Placer den fjernede svamp på den samme position som den gamle svamp. Sørg for at de bøsninger, som følger med det nye sværd, placeres på sværdets ben. Placer det nye sværd på maskinen så benene passer ind i hullerne på tandhullet. Hvis bøsningerne på benene falder af ved en fejltagelse, skal du placere dem i hullerne på tandhullet på forhånd. (Fig. 24)

Monter sværdet, stram de fire skruer og placer den fjernede skive på den samme position som den gamle. (Fig. 25)

Monter underdækslet på maskinen og stram de fire skruer ordentligt til.

## Opbevaring

Hullet i bunden af maskinen er praktisk, når maskinen hænges op på et søm eller en skrue på væggen. (Fig. 26)

Fjern batteripakken og placer sværdhylsteret over sværdet så knivene ikke er udækkede. Sørg for at opbevare maskinen uden for børns rækkevidde. Opbevar maskinen på et sted hvor den ikke udsættes for vand og regn.

For at holde produktet SIKKERT og PÅLIDELIGT skal reparationer samt al anden vedligeholdelse eller justering udføres af autoriserede Makita-servicecentre, og der skal altid benyttes Makita-reservedele.

## EKSTRAUDSTYR

#### **⚠ FORSIGTIG:**

- Dette tilbehør eller ekstraudstyr anbefales til brug med det Makita-værktøj, som er beskrevet i denne brugsanvisning. Brug af andet tilbehør eller ekstraudstyr kan forårsage personskade. Brug kun tilbehør eller ekstraudstyr til det formål, det er beregnet til.

Henvend dig til dit lokale Makita-servicecenter, hvis du har brug for hjælp eller yderligere oplysninger vedrørende tilbehøret.

- Sværdhylster
- Sværdmontering
- Originalt batteri og oplader fra Makita
- Flisopsamler

#### **BEMÆRK:**

- Visse dele på listen er muligvis indeholdt maskininudpakningen som standardtilbehør. De kan variere fra land til land.

#### **Støj**

ENG905-1

Det typiske A-vægtede støjniveau bestemt i overensstemmelse med EN60745:

**Model DUH481, DUH483, DUH521**

Lydtryksniveau ( $L_{pA}$ ): 75 dB (A)

Usikkerhed (K): 2,5 dB (A)

Støjniveauet under arbejdet kan overstige 80 dB (A).

**Model DUH523**

Lydtryksniveau ( $L_{pA}$ ): 77 dB (A)

Usikkerhed (K): 2,5 dB (A)

Støjniveauet under arbejdet kan overstige 80 dB (A).

**Bær høreværn.**

#### **Vibration**

ENG900-1

Den samlede vibrationsværdi (treaksiel vektorsum) bestemt i overensstemmelse med EN60745:

Arbejdstilstand: hækkeklipning

Vibrationsemission ( $a_{h1}$ ): 2,5 m/s<sup>2</sup> eller mindre

Usikkerhed (K): 1,5 m/s<sup>2</sup>

ENG901-1

- Den opgivne vibrationsemissionsværdi er målt i overensstemmelse med standardtestmetoden og kan bruges til at sammenligne et værktøj med et andet.
- Den opgivne vibrationsemissionsværdi kan muligvis også bruges til en indledende eksponeringsvurdering.

#### **⚠ ADVARSEL:**

- Vibrationsemissionen under den faktiske brug af maskinen kan afvige fra den opgivne emissionsværdi afhængigt af den måde, maskinen anvendes på.
- Sørg for at bestemme sikkerhedsforanstaltninger for beskyttelse af operatøren, som er baseret på en eksponeringsvurdering for brug under faktiske forhold (hvor alle anvendelsescyklussens dele inddrages, som

f.eks. antal gange maskinen slukkes, og når den kører i tomgang ud over triggertiden).

**Kun for europæiske lande**

ENH040-4

**EF-overensstemmelseserklæring**

**Makita erklærer at følgende maskine(r):**

Maskinens betegnelse:

Batteridrevet hækkeklipper

Modelnummer/type: DUH481, DUH483, DUH521, DUH523

Specifikationer: se tabellen "SPECIFIKATIONER".

**Overholder følgende europæiske direktiver:**

2000/14/EF, 2006/42/EF

De er produceret i overensstemmelse med den følgende standard eller standardiserede dokumenter:

EN60745

Den tekniske fil er i overensstemmelse med 2006/42/EF til rådighed fra:

Makita, Jan-Baptist Vinkstraat 2, 3070, Belgien

Den konformitetsvurderingsprocedure, der kræves af Direktiv 2000/14/EF, blev udført i henhold til appendiks V.

Model DUH481

Målt lydeffektniveau: 83,2 dB (A)

Garanteret lydeffektniveau: 86 dB (A)

Model DUH483

Målt lydeffektniveau: 83,8 dB (A)

Garanteret lydeffektniveau: 88 dB (A)

Model DUH521

Målt lydeffektniveau: 82,9 dB (A)

Garanteret lydeffektniveau: 86 dB (A)

Model DUH523

Målt lydeffektniveau: 84,3 dB (A)

Garanteret lydeffektniveau: 89 dB (A)

28. 4. 2015



Yasushi Fukaya

Direktør

Makita, Jan-Baptist Vinkstraat 2, 3070, Belgien

# ΕΛΛΗΝΙΚΑ (Πρωτογενείς οδηγίες)

## Περιγραφή γενικής όψης

1. Κόκκινη ένδειξη
2. Κουμπί
3. Κασέτα μπαταρίας
4. Ένδειξη άστρου
5. Ενδεικτικές λυχνίες
6. Κουμπί ελέγχου
7. Σκανδάλη-διακόπτης Α
8. Σκανδάλη-διακόπτης Β
9. Κουμπί ασφάλισης
10. Ενδεικτική λυχνία
11. Διεύθυνση κλαδέματος
12. Επιφάνεια του φράκτι που πρόκειται να κλαδευτεί
13. Δώστε κλίση στις λεπίδες
14. Κορδόνι
15. Πιέστε
16. Συλλέκτης θραυσμάτων
17. Παξιμάδι
18. Λεπίδα κοπής
19. Άγκιστρα
20. Προσαρμόστε τα άγκιστρα στην αυλακώση
21. Αυλακώσεις
22. Πιέστε τους μοχλούς και στις δυο πλευρές
23. Απασφαλίστε τα άγκιστρα
24. Βίδες
25. Κάτω κάλυμμα
26. Σπτόγγος
27. Ροδέλα
28. Γρανάζι
29. Έδρανα
30. Αυλακώση
31. Κάλυμμα λεπίδων
32. Γράσο
33. Λεπίδα

## ΠΡΟΔΙΑΓΡΑΦΕΣ

| Μοντέλο                                 | DUH481             |                              | DUH483                                    |  | DUH521             |                              | DUH523                                    |  |
|---|--------------------|------------------------------|---|--|--------------------|------------------------------|---|--|
| Μήκος λεπίδας                           | 480 mm             |                              |   |  | 520 mm             |                              |   |  |
| Διαδρομές το λεπτό (min <sup>-1</sup> ) | 1.350              |                              |   |  |                    |                              |   |  |
| Ονομαστική τιμή τάσης                   | D.C. 14,4 V        |                              | D.C. 18 V                                 |  | D.C. 14,4 V        |                              | D.C. 18 V                                 |  |
| Ολικό μήκος                             | 869 mm             | 881 mm                       | 873 mm                                    | 888 mm   | 919 mm             | 931 mm                       | 923 mm                                    | 938 mm   |
| Καθαρό βάρος                            | 2,9 kg             | 3,1 kg                       | 3,0 kg                                    | 3,2 kg   | 3,0 kg             | 3,2 kg                       | 3,0 kg                                    | 3,3 kg   |
| Κασέτα μπαταρίας                        | BL1415/<br>BL1415N | BL1430/<br>BL1440/<br>BL1450 | BL1815/<br>BL1815N/<br>BL1820/<br>BL1820B | BL1830/<br>BL1840/<br>BL1840B/<br>BL1850/<br>BL1850B | BL1415/<br>BL1415N | BL1430/<br>BL1440/<br>BL1450 | BL1815/<br>BL1815N/<br>BL1820/<br>BL1820B | BL1830/<br>BL1840/<br>BL1840B/<br>BL1850/<br>BL1850B |
| Φορτιστής μπαταρίας                     | DC18RC, DC18SD     |                              |   |  |                    |                              |   |  |

- Λόγω του συνεχόμενου προγράμματος που εφαρμόζουμε για έρευνα και ανάπτυξη, τα τεχνικά χαρακτηριστικά στο παρόν έντυπο υπόκεινται σε αλλαγή χωρίς προειδοποίηση.
- Τα τεχνικά χαρακτηριστικά και η μπαταρία ενδέχεται να διαφέρουν από χώρα σε χώρα.
- Βάρος μαζί με την μπαταρία σύμφωνα με τη διαδικασία της ΕΡΤΑ 01/2003

### Σύμβολο

ENE013-4

Παρακάτω παρουσιάζονται τα σύμβολα που χρησιμοποιούνται για τον εξοπλισμό. Βεβαιωθείτε ότι κατανοείτε τη σημασία τους πριν από τη χρήση.



..... Διαβάστε το εγχειρίδιο οδηγιών.



..... Μην το εκθέσετε στη βροχή.



Cd  
Ni-MH  
Li-Ion  
..... Μόνο για τις χώρες της ΕΕ  
Μην απορρίπτετε τον ηλεκτρικό εξοπλισμό ή την μπαταρία μαζί με τα οικιακά απορρίμματα!  
Σύμφωνα με την Ευρωπαϊκή Οδηγία περί απορριμμάτων ηλεκτρικών, ηλεκτρονικών συσκευών, μπαταριών και συσσωρευτών και των απορριμμάτων μπαταριών και συσσωρευτών και την ενσωμάτωσή τους στην εθνική νομοθεσία, οι ηλεκτρικές συσκευές, οι μπαταρίες και

οι κασέτες μπαταριών, των οποίων έχει παρέλθει ο χρόνος ωφέλιμης ζωής τους, πρέπει να συλλέγονται ξεχωριστά και να επιστρέφονται σε εγκαταστάσεις περιβαλλοντικής ανακύκλωσης.

### Προοριζόμενη χρήση

ENE014-1

Το εργαλείο προορίζεται για το κλάδεμα φρακτών από θάμνους.

## Γενικές Προειδοποιήσεις Ασφαλείας Του Ηλεκτρικού Εργαλείου

GEA010-1

**⚠️ ΠΡΟΕΙΔΟΠΟΙΗΣΗ Διαβάστε όλες τις προειδοποιήσεις ασφαλείας και όλες τις οδηγίες.** Αν δεν ακολουθήσετε όλες τις προειδοποιήσεις και τις οδηγίες, υπάρχει κίνδυνος ηλεκτροπληξίας, πυρκαγιάς ή/και σοβαρού τραυματισμού.



# Φυλάξτε όλες τις προειδοποιήσεις και τις οδηγίες για μελλοντική αναφορά.

## ΠΡΟΕΙΔΟΠΟΙΗΣΕΙΣ ΑΣΦΑΛΕΙΑΣ ΨΑΛΙΔΙΟΥ ΜΠΟΡΝΤΟΥΡΑΣ ΜΠΑΤΑΡΙΑΣ

GEB062-5

1. Κρατήστε όλα τα μέρη του σώματός σας μακριά από τη λεπίδα ψαλιδιού. Μην αφαιρείτε το υλικό κοπής ή κρατήσετε το υλικό που πρόκειται να κοπεί όταν κινούνται οι λεπίδες. Σιγουρευτείτε ότι ο διακόπτης είναι κλειστός κατά τον καθαρισμό του υλικού που έχει μπλοκάρει. Μια στιγμή απροσεξίας κατά τη διάρκεια χειρισμού του ψαλιδιού μπορντούρας μπορεί να προκαλέσει σοβαρό προσωπικό τραυματισμό.
2. Να μεταφέρετε το ψαλίδι μπορντούρας από τη λαβή με σταματημένη τη λεπίδα κοπής. Κατά την μεταφορά ή την αποθήκευση του ψαλιδιού μπορντούρας πάντοτε να τοποθετείτε το κάλυμμα του μηχανισμού κοπής. Ο κατάλληλος χειρισμός του ψαλιδιού μπορντούρας θα ελαττώσει την πιθανότητα προσωπικού τραυματισμού από τις λεπίδες κοπής.
3. Κρατήστε το ηλεκτρικό εργαλείο μόνο από τις μονωμένες επιφάνειες, επειδή η λεπίδα κοπής μπορεί να έρθει σε επαφή με κρυμμένη καλωδίωση. Αν οι λεπίδες κοπής έρθουν σε επαφή με κάποιο ηλεκτροφόρο καλώδιο, τα εκτεθειμένα μεταλλικά μέρη του ηλεκτρικού εργαλείου θα γίνουν κι αυτά ηλεκτροφόρα και μπορεί να προκληθεί ηλεκτροπληξία στο χειριστή.
4. Να μην χρησιμοποιήσετε το ψαλίδι μπορντούρας μέσα στην βροχή ή κάτω από υγρές ή πολύ υοτερές συνθήκες. Το ηλεκτρικό μοτέρ δεν είναι αδιάβροχο.
5. Οι χρήστες που χρησιμοποιούν το ψαλίδι μπορντούρας για πρώτη φορά θα πρέπει να λάβουν οδηγίες για τη χρήση του από ένα έμπειρο χρήστη.
6. Το ψαλίδι μπορντούρας δεν πρέπει να χρησιμοποιείται από παιδιά και νέους κάτω των 18 ετών. Εξαιρούνται από αυτήν την απαγόρευση οι νέοι άνω των 16 ετών που εκπαιδεύονται υπό την επίβλεψη ειδικού.
7. Να χρησιμοποιείτε το ψαλίδι μπορντούρας μόνο όταν βρίσκεστε σε καλή φυσική κατάσταση. Εάν είστε κουρασμένοι, η προσοχή σας θα μειωθεί. Να είστε ιδιαίτερα προσεκτικοί κατά το τέλος μιας εργάσιμης ημέρας. Εκτελέστε όλες τις εργασίες με ηρεμία και προσοχή. Ο χρήστης είναι υπεύθυνος για όλες τις ζημιές σε τρίτους.
8. Μην χρησιμοποιείτε ποτέ το ψαλίδι υπό την επίρροια αλκοόλ, ναρκωτικών ουσιών ή φαρμάκων.
9. Τα γάντια εργασίας από ανθεκτικό δέρμα αποτελούν μέρος του βασικού εξοπλισμού του ψαλιδιού μπορντούρας και θα πρέπει πάντοτε να φοριούνται κατά την εργασία με αυτό. Επίσης να φοράτε ανθεκτικά παπούτσια με αντιολισθητικές σόλες.
10. Πριν από την έναρξη της εργασίας βεβαιωθείτε ότι το ψαλίδι βρίσκεται σε καλή και ασφαλή κατάσταση λειτουργίας. Διασφαλίστε ότι τα προστατευτικά έχουν τοποθετηθεί σωστά. Εάν δεν είναι πλήρως συναρμολογημένο το ψαλίδι μπορντούρας δεν θα πρέπει να χρησιμοποιείται.

11. Πριν ξεκινήσετε την εργασία διασφαλίστε ότι έχετε ένα σταθερό πάτημα.
12. Να κρατάτε το εργαλείο γερά όταν το χρησιμοποιείτε.
13. Μην θέτετε το εργαλείο σε λειτουργία χωρίς φόρτο, αν αυτό δεν είναι απαραίητο.
14. Σταματήστε αμέσως το μοτέρ και αποσυνδέστε την μπαταρία εάν ο κόφτης έρθει σε επαφή με το φράκτη ή με κάποιο άλλο σκληρό αντικείμενο. Ελέγξτε τον κόφτη προσεκτικά για φθορά, και αν έχει πάθει ζημιά επισκευάστε τον αμέσως.
15. Πριν από τον έλεγχο του κόφτη, την επιδιόρθωση σφαλμάτων ή την αφαίρεση του υλικού που πιάστηκε μέσα στον κόφτη πάντοτε να διακόπτετε τη λειτουργία του ψαλιδιού και να βγάζετε τη μπαταρία.
16. Πριν από την εκτέλεση της οποιασδήποτε εργασίας συντήρησης να διακόπτετε την λειτουργία του ψαλιδιού και να αφαιρείτε την μπαταρία.
17. Κατά την μετακίνηση του ψαλιδιού μπορντούρας σε μια άλλη θέση, ακόμη και κατά την διάρκεια της εργασίας, πάντοτε να αφαιρείτε την μπαταρία και να τοποθετείτε το κάλυμμα των λεπίδων πάνω στις λεπίδες κοπής. Ποτέ μη μεταφέρετε ή μετακινείτε το ψαλίδι με το κόφτη σε λειτουργία. Ποτέ να μην πιάνετε τον κόφτη με τα χέρια σας.
18. Καθαρίστε το ψαλίδι μπορντούρας και ιδιαίτερα τον κόφτη μετά από την χρήση και πριν αποθηκεύσετε το ψαλίδι για παρατεταμένες περιόδους. Λαδώστε ελαφρά τον κόφτη και τοποθετήστε το κάλυμμα. Το κάλυμμα που παρέχετε με τη συσκευή μπορεί να κρεμαστεί στον τοίχο, παρέχοντας ένα ασφαλή και πρακτικό τρόπο για την αποθήκευση του ψαλιδιού μπορντούρας.
19. Αποθηκεύστε το ψαλίδι μπορντούρας με το κάλυμμα πάνω του σε ένα ξηρό δωμάτιο. Κρατήστε το μακριά από την πρόσβαση των παιδιών. Ποτέ να μην αποθηκεύσετε το ψαλίδι σε εξωτερικό χώρο.

## ΦΥΛΑΞΤΕ ΑΥΤΕΣ ΤΙΣ ΟΔΗΓΙΕΣ.



### ΠΡΟΕΙΔΟΠΟΙΗΣΗ:

**ΜΗΝ επιτρέψετε στη βολικότητα ή στην εξοικειώσή σας με το προϊόν (που αποκτήθηκε από επανειλημμένη χρήση) να αντικαταστήσει την αυστηρή προσήλωση στους κανόνες ασφαλείας του εν λόγω προϊόντος. Η ΛΑΝΘΑΣΜΕΝΗ ΧΡΗΣΗ ή η μη τήρηση των κανόνων ασφαλείας που διατυπώνονται στο παρόν εγχειρίδιο οδηγιών μπορεί να προκαλέσει σοβαρό τραυματισμό.**

## ΣΗΜΑΝΤΙΚΕΣ ΟΔΗΓΙΕΣ ΑΣΦΑΛΕΙΑΣ

ENC007-9

### ΓΙΑ ΤΗΝ ΜΠΑΤΑΡΙΑ

1. Πριν χρησιμοποιήσετε την μπαταρία, διαβάστε όλες τις οδηγίες και τις ενδείξεις προφύλαξης στο (1) φορτιστή μπαταρίας, (2) την μπαταρία και (3) το προϊόν στο οποίο χρησιμοποιείται η μπαταρία.
2. Μην αποσυναρμολογείτε την μπαταρία.
3. Αν ο χρόνος λειτουργίας της μπαταρίας είναι υπερβολικά σύντομος, διακόψτε αμέσως τη λειτουργία. Αν συνεχίσετε, μπορεί να έχει ως αποτέλεσμα τον κίνδυνο υπερθέρμανσης, πιθανών εκγυαμάτων και ακόμη έκρηξης.



4. **Αν** μπει στα μάτια σας ηλεκτρολύτης, ξεπλύνετε με καθαρό νερό και αναζητήστε αμέσως ιατρική βοήθεια. Μπορεί να χάσετε την όρασή σας.
5. **Μη** βραχυκυκλώνετε την μπαταρία:
  - (1) **Μην** αγγίζετε τους ακροδέκτες με αγώγιμο υλικό.
  - (2) **Μην** αποθηκεύετε την μπαταρία σε δοχείο με άλλα μεταλλικά αντικείμενα, όπως καρφιά, νομίσματα, κτλ.
  - (3) **Μην** εκθέτετε την μπαταρία σε νερό ή βροχή. **Αν** βραχυκυκλωθεί η μπαταρία, μπορεί να προκληθεί μεγάλη ροή ηλεκτρικού ρεύματος, υπερθέρμανση, πιθανά εκγαυμάτα και ακόμη και καταστροφή της μπαταρίας.
6. **Μην** αποθηκεύετε το εργαλείο και την μπαταρία σε μέρη όπου η θερμοκρασία μπορεί να φτάσει ή να ξεπεράσει τους 50°C (122°F).
7. **Μην** αποτεφρώνετε την μπαταρία ακόμη κι αν παρουσιάζει σοβαρή ζημιά ή είναι εντελώς φθαρμένη. Η μπαταρία μπορεί να εκραγεί σε φωτιά.
8. **Να** προσέχετε να μη σας πέσει η μπαταρία και να μη συγκρουστεί με κάποιο αντικείμενο.
9. **Μη** χρησιμοποιείτε μια μπαταρία που έχει υποστεί βλάβη.
10. **Ακολουθήστε** τους τοπικούς κανονισμούς σχετικά με την απόρριψη της μπαταρίας.

## ΦΥΛΑΞΤΕ ΑΥΤΕΣ ΤΙΣ ΟΔΗΓΙΕΣ.

### Συμβουλές για τη διατήρηση της μέγιστης ζωής της μπαταρίας

1. **Να φορτίζετε** την μπαταρία πριν αποφορτιστεί εντελώς.  
Πάντοτε να διακόπτετε τη λειτουργία του εργαλείου και να φορτίζετε την μπαταρία όταν παρατηρείται μειωμένη ισχύ του εργαλείου.
2. **Ποτέ μην επαναφορτίζετε** μια πλήρως φορτισμένη μπαταρία.  
**Αν υπερφορτίσετε** την μπαταρία, μειώνεται η ωφέλιμη διάρκεια ζωής της.
3. **Να φορτίζετε** την μπαταρία σε θερμοκρασία δωματίου, δηλαδή στους 10°C έως 40°C (50°F έως 104°F). **Αν η μπαταρία είναι θερμή**, αφήστε την να ψυχθεί πριν τη φορτίσετε.
4. **Φορτίστε** την κασέτα μπαταρίας εάν δεν πρόκειται να την χρησιμοποιήσετε για περισσότερους από έξι μήνες.

## ΠΕΡΙΓΡΑΦΗ ΛΕΙΤΟΥΡΓΙΑΣ

### ΠΡΟΣΟΧΗ:

- Να βεβαιώνετε πάντοτε ότι έχετε σβήσει το εργαλείο και έχετε βγάλει την μπαταρία πριν ρυθμίσετε ή ελέγξετε κάποια λειτουργία του εργαλείου.

### Τοποθέτηση ή αφαίρεση της κασέτας μπαταρίας (Εικ. 1)

#### ΠΡΟΣΟΧΗ:

- Πάντοτε να απενεργοποιείτε το εργαλείο πριν από την τοποθέτηση ή την αφαίρεση της κασέτας μπαταρίας.

- **Κρατήστε το εργαλείο και την κασέτα μπαταρίας γερά κατά την τοποθέτηση ή την αφαίρεση της κασέτας μπαταρίας.** Εάν δεν κρατήσετε το εργαλείο και την μπαταρία καλά μπορεί να γλιστρήσουν από τα χέρια σας και να προκληθεί ζημιά στο εργαλείο και στη μπαταρία αλλά και προσωπικός τραυματισμός.

Για να βγάλετε την κασέτα μπαταρίας, σύρετε την από το εργαλείο ολισθαίνοντας το κουμπί στο μπροστινό μέρος της κασέτας.

Για να τοποθετήσετε την κασέτα μπαταρίας, ευθυγραμμίστε τη γλωττίδα της κασέτας μπαταρίας με την εγκοπή στο περίβλημα και ολισθήστε τη στη θέση της. Τοποθετήστε τη έως το τέρμα, δηλαδή έως όπου ασφαλίσει στη θέση και ακουστεί ένας χαρακτηριστικός ήχος "κλικ". Αν μπορείτε να δείτε την κόκκινη ένδειξη στην πάνω πλευρά του κουμπιού, η μπαταρία δεν είναι πλήρως ασφαλισμένη.

### ΠΡΟΣΟΧΗ:

- Πάντοτε να τοποθετείτε πλήρως την κασέτα μπαταρίας για να μη φαίνεται η κόκκινη ένδειξη. Σε αντίθετη περίπτωση, μπορεί να πέσει κατά λάθος από το εργαλείο και να τραυματίσει εσάς ή κάποιον παρευρισκόμενο.
- **Μην εισάγετε** με τη βία την κασέτα μπαταρίας. Αν η κασέτα δεν ολισθαίνει με ευκολία, δεν την εισαγάγετε σωστά.

### Σύστημα προστασίας μπαταρίας (Μπαταρία ιόντων λιθίου με την ένδειξη άστρου) (Εικ. 2)

Οι μπαταρίες ιόντων λιθίου με ένδειξη άστρου είναι εφοδιασμένες με ένα σύστημα προστασίας. Αυτό το σύστημα διακόπτει αυτόματα το ρεύμα στο εργαλείο για να παρατείνεται η διάρκεια ζωής της μπαταρίας. Το εργαλείο θα σταματήσει αυτόματα κατά τη λειτουργία όταν το εργαλείο και/ή η μπαταρία υποστούν τις παρακάτω συνθήκες.

- Υπερφόρτιση:

Το εργαλείο λειτουργεί με τρόπο που προκαλεί την κατανάλωση ασυνήθιστα υψηλής ποσότητας ρεύματος.

Στην περίπτωση αυτή, ελευθερώστε σκανδάλη-διακόπτης του εργαλείου και σταματήστε την εφαρμογή που προκάλεσε την υπερφόρτωση του εργαλείου. Στη συνέχεια, τραβήξτε τη σκανδάλη-διακόπτης ξανά για επανεκκίνηση.

Εάν το εργαλείο δεν ξεκινά, η μπαταρία έχει υπερθερμανθεί. Στην περίπτωση αυτή, αφήστε την μπαταρία να κρυώσει πριν τραβήξετε τη σκανδάλη-διακόπτης ξανά.

- Χαμηλή τάση της μπαταρίας:









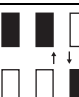

Η εναπομένουσα ποσότητα ρεύματος της μπαταρίας είναι πολύ χαμηλή και το εργαλείο δεν θα λειτουργήσει. Σε αυτήν την περίπτωση, αφαιρέστε και επαναφορτίστε τη μπαταρία.

### Ένδειξη της εναπομένουσας χωρητικότητας της μπαταρίας

(Μόνο για τις κασέτες μπαταρία με "B" στο τέλος του αριθμού μοντέλου.) (Εικ. 3)

Πατήστε το κουμπί ελέγχου στην κασέτα μπαταρίας για να εμφανιστεί η υπολειπόμενη χωρητικότητα της μπαταρίας.

Οι ενδεικτικές λυχνίες θα ανάψουν για μερικά δευτερόλεπτα.

| Ενδεικτικές λυχνίες   |   |  | Εναπομένονσα χωρητικότητα           |
|---|---|--|-------------------------------------|
|  Αναμμένες |  Σβηστές |  Αναβοσβήνουν |                                     |
|            |   |  | 75% έως 100%                        |
|            |   |  | 50% έως 75%                         |
|            |   |  | 25% έως 50%                         |
|            |   |  | 0% έως 25%                          |
|   |          |  | Φορτίστε τη μπαταρία.               |
|            |          |  | Η μπαταρία μπορεί να δυσλειτουργεί. |

015658

#### ΣΗΜΕΙΩΣΗ:

- Ανάλογα με τις συνθήκες χρήσης και τη θερμοκρασία περιβάλλοντος, η ένδειξη μπορεί να διαφέρει ελαφρώς από την πραγματική χωρητικότητα.

| Ενδεικτική λυχνία                         | Κατάσταση  | Ενέργεια που πρέπει να γίνει                          |
|---|--|---|
| Η λυχνία αναβοσβήνει στο κόκκινο          | Αυτό δείχνει τον κατάλληλο χρόνο για την αντικατάσταση της κασέτας μπαταρίας όταν αυτή εξασθενήσει.                              | Επαναφορτίστε τη μπαταρία όσο το δυνατόν συντομότερα. |
| Η λυχνία ανάβει στο κόκκινο. (Σημείωση 1) | Αυτή η λειτουργία ενεργοποιείται όταν η ισχύς της μπαταρίας είναι σχεδόν εξαντλημένη. Τη στιγμή αυτή το εργαλείο σταματά αμέσως. | Επαναφορτίστε τη μπαταρία.                            |
| Η λυχνία ανάβει στο κόκκινο. (Σημείωση 1) | Αυτόματη διακοπή λόγω υπερφόρτωσης   | Απενεργοποιήστε το εργαλείο.                          |

Σημείωση 1: Ο χρόνος κατά τον οποίο ανάβει η ενδεικτική λυχνία διαφέρει ανάλογα με τη θερμοκρασία γύρω από το χώρο εργασίας και τις συνθήκες της κασέτας μπαταρίας.

010970

## ΛΕΙΤΟΥΡΓΙΑ

### ⚠️ ΠΡΟΣΟΧΗ:

- Να προσέξετε να μην έρθετε σε επαφή κατά τύχη με ένα μεταλλικό φράκτη ή με άλλα σκληρά αντικείμενα κατά το κλάδεμα. Η λεπίδα θα σπάσει και μπορεί να προκαλέσει σοβαρό τραυματισμό.
- Το υπερβολικό τέντωμα με το ψαλίδι μπορντούρας, ιδιαίτερα από μια σκάλα είναι υπερβολικά επικίνδυνο. Να μην εργάζεστε από μια κινούμενη ή ασταθή θέση. **(Εικ. 6)**

Να μην προσπαθήσετε να κόψετε κλαδιά με διάμετρο πάχους μεγαλύτερη από 10 mm με αυτό το ψαλίδι. Αυτά θα πρέπει να κοπούν πρώτα με ψαλίδα μέχρι το επίπεδο του κλαδέματος του φράκτη.

### ⚠️ ΠΡΟΣΟΧΗ:

- Μην κόβετε ξερά δένδρα ή παρόμοια σκληρά αντικείμενα. Αν δεν τηρήσετε αυτή την οδηγία, μπορεί να προκληθεί ζημιά στο εργαλείο. **(Εικ. 7)**

58

## Δράση διακόπτη

### ⚠️ ΠΡΟΣΟΧΗ:

- Πριν την τοποθέτηση της μπαταρίας στο εργαλείο, πάντοτε να ελέγχετε ότι η σκανδάλη-διακόπτης ενεργοποιείται κανονικά και επιστρέφει στη θέση "OFF" όταν την αφήνετε. **(Εικ. 4)**

Για την ασφάλειά σας αυτό το εργαλείο είναι εφοδιασμένο με ένα διπλό σύστημα διακοπών. Για να ενεργοποιησέτε το εργαλείο, πατήστε το κουμπί ασφαλίσης και τις σκανδάλες Α και Β. Ελευθερώστε την μια από τις δυο πατημένες σκανδάλες για την απενεργοποίηση του εργαλείου. Δεν έχει σημασία η σειρά με την οποία θα ενεργοποιηθούν οι σκανδάλες επειδή το εργαλείο ξεκινά μόνο όταν ενεργοποιηθούν και οι δυο σκανδάλες.

### Ενδεικτική λυχνία (Εικ. 5)

Όταν λειτουργεί το εργαλείο η ενδεικτική λυχνία δείχνει την κατάσταση χωρητικότητας της κασέτας μπαταρίας. Όταν το εργαλείο υπερφορτωθεί και σταματήσει τη λειτουργία, η ενδεικτική λυχνία ανάβει στο κόκκινο. Ανατρέξτε στον παρακάτω πίνακα για την κατάσταση της ενδεικτικής λυχνίας και τις ενέργειες που πρέπει να γίνουν.

Κρατήστε το ψαλίδι με τα δύο σας χέρια και τραβήξτε τη σκανδάλη-διακόπτης Α ή Β και μετακινήστε το μπροστά από το σώμα σας. **(Εικ. 8)**

Για τη βασική λειτουργία, στρέψτε τις λεπίδες προς την διεύθυνση κλαδέματος και κινήστε το ήρεμα και αργά με μια ταχύτητα 3 - 4 δευτερολέπτων το μέτρο. **(Εικ. 9)** Η ομοιόμορφη κοπή της κορυφής ενός φράκτη, γίνεται ευκολότερη με το δέσιμο ενός κορδονιού στο επιθυμητό ύψος και το κλάδεμα κατά μήκος της, χρησιμοποιώντας την ως γραμμική αναφοράς. **(Εικ. 10)**

Η τοποθέτηση του συλλογέα θραυσμάτων (προαιρετικό αξεσουάρ) στο εργαλείο κατά το κλάδεμα του φράκτη σε ευθεία μπορεί να βοηθήσει στην αποφυγή του πετάγματος των κομμένων φύλλων. **(Εικ. 11)**

Για την ίσια κοπή των πλαινών του φράκτη, θα βοηθηθείτε εάν κόβετε από κάτω προς τα πάνω. **(Εικ. 12)**

Να κλαδεύετε ένα πιεξό ή ένα ροδόδεντρο από τη βάση προς τα επάνω ώστε να γίνει μια καλή δουλειά και να δημιουργηθεί μια υαίρια εμφάνιση.

## Τοποθέτηση ή αφαίρεση του συλλέκτη θραυσμάτων (προαιρετικό αξεσουάρ)

### **⚠️ ΠΡΟΣΟΧΗ:**

- Να βεβαιώνετε πάντοτε ότι το εργαλείο είναι σβηστό και αποσυνδεδεμένο από το ηλεκτρικό ρεύμα πριν τοποθετήσετε ή αφαιρέσετε το συλλέκτη θραυσμάτων.

### **ΣΗΜΕΙΩΣΗ:**

- Κατά την αντικατάσταση του συλλέκτη θραυσμάτων, πάντοτε να φοράτε γάντια έτσι ώστε τα χέρια σας και το πρόσωπό σας να μην έρχονται σε άμεση επαφή με τη λεπίδα. Αν δεν τηρήσετε αυτή την οδηγία, μπορεί να προκληθεί προσωπικός τραυματισμός.
- Πάντοτε να φροντίζετε να αφαιρείτε το κάλυμμα των λεπίδων πριν την εγκατάσταση του συλλέκτη θραυσμάτων.
- Ο συλλέκτης θραυσμάτων δέχεται κομμένα φύλλα και μετριάζει το πέταγμα των φύλλων. Μπορείτε να τον τοποθετήσετε σε οποιαδήποτε πλευρά του εργαλείου. **(Εικ. 13)**

Πιέστε τον συλλέκτη θραυσμάτων στις λεπίδες κοπής έτσι ώστε οι σχισμές του να επικαλύπτουν τα παξιμάδια των λεπίδων κοπής. **(Εικ. 14)**

Τη στιγμή αυτή, ο συλλέκτης θραυσμάτων χρειάζεται να τοποθετηθεί με τέτοιο τρόπο ώστε τα άγκιστρά του να ταιριάζουν μέσα στις αυλακώσεις της μονάδας των λεπίδων κοπής. **(Εικ. 15)**

Για να βγάλετε τον συλλέκτη θραυσμάτων, πιέστε το μοχλό και στις δύο πλευρές έτσι ώστε να απασφαλίσουν τα άγκιστρα.

### **⚠️ ΠΡΟΣΟΧΗ:**

- Το κάλυμμα των λεπίδων (βασικός εξοπλισμός) δεν μπορεί να τοποθετηθεί πάνω στο εργαλείο με εγκαταστημένο το συλλέκτη θραυσμάτων. Πριν από την μεταφορά ή την αποθήκευση, αφαιρέστε τον συλλέκτη θραυσμάτων και μετά τοποθετήστε το κάλυμμα των λεπίδων για να αποφύγετε την έκθεση των λεπίδων.

### **ΣΗΜΕΙΩΣΗ:**

- Ελέγξτε ότι ο συλλέκτης θραυσμάτων έχει τοποθετηθεί σταθερά πριν από την χρήση.
- Ποτέ να μην προσπαθήσετε να αφαιρέσετε τον συλλέκτη θραυσμάτων με τη χρήση υπερβολικής βίας καθώς τα άγκιστρά του είναι ασφαλισμένα στις αυλακώσεις στη μονάδα των λεπίδων. Η χρήση υπερβολικής δύναμης μπορεί να τον καταστρέψει.

## ΣΥΝΤΗΡΗΣΗ

### **⚠️ ΠΡΟΣΟΧΗ:**

- Να βεβαιώνετε πάντοτε ότι έχετε σβήσει το εργαλείο και έχετε βγάλει την μπαταρία πριν εκτελέσετε οποιαδήποτε εργασία ελέγχου ή συντήρησης σε αυτό.

## Καθαρισμός του εργαλείου

Καθαρίστε το εργαλείο σκουπίζοντας την σκόνη με ένα στεγνό πανί ή με ένα πανί βουτηγμένο σε σαπουνόνερο.

### **⚠️ ΠΡΟΣΟΧΗ:**

- Μην χρησιμοποιήσετε ποτέ βενζίνη, βενζόλη, διαλυτικό, αλκοόλη ή κάτι παρόμοιο. Μπορεί να προκληθεί αποχρωματισμός, παραμόρφωση ή ρωγμές.

## Συντήρηση λεπίδας

Επαλείψτε την λεπίδα πριν από τη λειτουργία και μια φορά κάθε μια ώρα λειτουργίας, χρησιμοποιώντας μηχανικό λάδι ή κάτι παρόμοιο.

### **ΣΗΜΕΙΩΣΗ:**

- Πριν την επάλειψη της λεπίδας, αφαιρέστε το συλλέκτη θραυσμάτων.

Μετά τη λειτουργία, αφαιρέστε την σκόνη από τις δύο πλευρές της λεπίδας με μια συρματόβουρτσα, σκουπίστε με ένα πανί και μετά βάλτε αρκετό λάδι χαμηλού ιξώδους, όπως μηχανικό λάδι, κτλ. και λιπαντικό ψεκασμού.

### **⚠️ ΠΡΟΣΟΧΗ:**

- Μην πλύνετε τις λεπίδες με νερό. Αν δεν τηρήσετε αυτή την οδηγία, μπορεί να προκληθεί σκουριά ή φθορά στο εργαλείο.

## Αφαίρεση ή τοποθέτηση της λεπίδας κοπής

### **⚠️ ΠΡΟΣΟΧΗ:**

- Πριν από την αφαίρεση ή την τοποθέτηση της λεπίδας κοπής, πάντοτε να φροντίζετε να απενεργοποιείτε το εργαλείο και να αφαιρείτε την μπαταρία.
- Κατά την αντικατάσταση της λεπίδας κοπής, πάντοτε να φοράτε γάντια χωρίς να αφαιρέσετε το κάλυμμα των λεπίδων έτσι ώστε τα χέρια σας και το πρόσωπό σας να μην έρχονται σε άμεση επαφή με τη λεπίδα. Αν δεν τηρήσετε αυτή την οδηγία, μπορεί να προκληθεί προσωπικός τραυματισμός.

### **ΣΗΜΕΙΩΣΗ:**

- Μην σκουπίσετε το γράσο από το γρανάζι και το στρόφαλο. Αν δεν τηρήσετε αυτή την οδηγία, μπορεί να προκληθεί ζημιά στο εργαλείο.

## Αφαίρεση των λεπίδων κοπής (Εικ. 16)

Αναστρέψτε το εργαλείο, ξεσφίξτε τις τέσσερις βίδες και αφαιρέστε το κάτω κάλυμμα.

### **ΣΗΜΕΙΩΣΗ:**

- Προσέξτε να μην λερώσετε τα χέρια σας επειδή υπάρχει γράσο στην επιφάνεια κίνησης της λεπίδας κοπής. **(Εικ. 17)**

Χαλαρώστε τις τέσσερις βίδες και αφαιρέστε τις λεπίδες. Αφαιρέστε τη ροδέλα και το σπάγγο από τις λεπίδες κοπής και φυλάξτε τις. Απαιτούνται για μεταγενέστερη εγκατάσταση. **(Εικ. 18)**

Αν τα έδρανα παραμένουν μέσα στις τρύπες του γραναζιού, αφαιρέστε το γρανάζι και σπρώξτε τα έδρανα έξω από αυτό με ένα κατασβίδι ή κάτι παρόμοιο.

### **ΣΗΜΕΙΩΣΗ:**

Η ροδέλα κάτω από το γρανάζι μπορεί να βγει έξω κατά λάθος κατά την αφαίρεση του γραναζιού. Στην περίπτωση αυτή, επαναφέρετε τη στην αρχική της θέση όπως ήταν εγκαταστημένη.

## Τοποθέτηση της λεπίδας κοπής (Εικ. 19)

Αφαιρέστε το κάλυμμα των λεπίδων από τις παλιές λεπίδες κοπής και τοποθετήστε το πάνω στις καινούργιες αποφεύγοντας την επαφή με τις λεπίδες. **(Εικ. 20)** Προσαρμόστε τις θέσεις των ωπών περιστρέφοντας το γρανάζι όπως παρουσιάζεται στην εικόνα. **(Εικ. 21 και 22)**

Τοποθετήστε λίγο γράσο που παρέχεται με τις καινούργιες λεπίδες κοπής όπως παρουσιάζεται στην εικόνα. **(Εικ. 23)**

Τοποθετήστε τον σπόγγο που είχε αφαιρεθεί στην ίδια θέση με την παλιά. Φροντίστε ότι τα έδρανα που παρέχονται με τις καινούργιες λεπίδες κοπής είναι τοποθετημένα πάνω στους πείρους της λεπίδας. Τοποθετήστε τις καινούργιες λεπίδες κοπής πάνω στο εργαλείο έτσι ώστε οι πείροι να ταιριάζουν πάνω στο γρανάζι. Αν τα έδρανα βγουν έξω από τους πείρους κατά λάθος, τοποθετήστε τα προηγούμενως μέσα στις τρύπες του γραναζιού. **(Εικ. 24)**

Τοποθετήστε το κάτω κάλυμμα του εργαλείου και σφίξτε καλά τις τέσσερις βίδες. Τοποθετήστε την ροδέλα που είχε αφαιρεθεί στην ίδια θέση με την παλιά. **(Εικ. 25)**

Τοποθετήστε το κάτω κάλυμμα του εργαλείου και σφίξτε καλά τις τέσσερις βίδες.

## Αποθήκευση

Η τρύπα του γάντζου στη βάση του εργαλείου είναι βολική για το κρέμασμα του εργαλείου από ένα καρφί ή μια βίδα στον τοίχο. **(Εικ. 26)**

Αφαιρέστε τη μπαταρία και τοποθετήστε το κάλυμμα των λεπίδων πάνω στις λεπίδες κοπής έτσι ώστε οι λεπίδες να μην είναι εκτεθειμένες. Αποθηκεύστε προσεκτικά το εργαλείο σε χώρο όπου βρίσκεται μακριά από την πρόσβαση των παιδιών.

Αποθηκεύστε το εργαλείο σε ένα χώρο που δεν είναι εκτεθειμένος στο νερό ή στη βροχή.

Για να διατηρείται η ΑΣΦΑΛΕΙΑ και η ΑΞΙΟΠΙΣΤΙΑ του προϊόντος, οι εργασίες επισκευής, καθώς και οποιαδήποτε άλλη εργασία συντήρησης ή ρύθμισης, θα πρέπει να εκτελούνται σε εξουσιοδοτημένα κέντρα εξυπηρέτησης της Makita, και πάντοτε με τη χρήση ανταλλακτικών της Makita.

## ΠΡΟΑΙΡΕΤΙΚΑ ΑΞΕΣΟΥΑΡ

### ΠΡΟΣΟΧΗ:

- Συνιστάται η χρήση αυτών των αξεσουάρ ή εξαρτημάτων με το εργαλείο της Makita, όπως περιγράφεται στο παρόν εγχειρίδιο. Αν χρησιμοποιήσετε άλλα αξεσουάρ ή εξαρτήματα μπορεί να παρουσιαστεί κίνδυνος για πρόκληση τραυματισμού προσώπων. Να χρησιμοποιείτε τα αξεσουάρ και τα εξαρτήματα μόνο για το σκοπό για τον οποίο προορίζονται.

Αν χρειάζεστε κάποια βοήθεια ή περισσότερες πληροφορίες σχετικά με τα αξεσουάρ αυτά, απευθυνθείτε στο πλησιέστερο κέντρο εξυπηρέτησης της Makita.

- Κάλυμμα λεπίδων
- Συγκρότημα λεπίδων κοπής
- Αυθεντική μπαταρία και φορτιστής της Makita
- Συλλέκτης θραυσμάτων

### ΣΗΜΕΙΩΣΗ:

- Ορισμένα από τα στοιχεία της λίστα μπορεί να περιέχονται στην συσκευασία του εργαλείου ως κανονικά αξεσουάρ. Αυτά ενδέχεται να διαφέρουν από χώρα σε χώρα.

## Θόρυβος

ENG905-1

Το σύνθηρος σταθμισμένο επίπεδο θορύβου που έχει καθοριστεί σύμφωνα με την EN60745:

### Μοντέλα DUH481, DUH483, DUH521

Επίπεδο ηχητικής πίεσης ( $L_{pA}$ ): 75 dB (A)

Αβηβαιότητα (K): 2,5 dB (A)

Το επίπεδο θορύβου σε λειτουργία ενδέχεται να υπερβεί τα 80 dB (A).

### Μοντέλα DUH523

Επίπεδο ηχητικής πίεσης ( $L_{pA}$ ): 77 dB (A)

Αβηβαιότητα (K): 2,5 dB (A)

Το επίπεδο θορύβου σε λειτουργία ενδέχεται να υπερβεί τα 80 dB (A).

### Να φοράτε ωτοασπίδες.

## Δόνηση

ENG900-1

Η συνολική τιμή δόνησης (διανυσματικό άθροισμα τριών αξόνων) που έχει καθοριστεί σύμφωνα με την EN60745:

Κατάσταση λειτουργίας: κλάδεμα φρακτών  
Εκπομπή δόνησης ( $a_{h}$ ): 2,5 m/s<sup>2</sup> ή λιγότερο  
Αβηβαιότητα (K): 1,5 m/s<sup>2</sup>

ENG901-1

- Η δηλωθείσα τιμή των παραγομένων κραδασμών έχει καταμετρηθεί σύμφωνα με την τυποποιημένη μέθοδο δοκιμασίας και μπορεί να χρησιμοποιηθεί για την σύγκριση ενός εργαλείου με ένα άλλο.
- Η δηλωθείσα τιμή των παραγομένων κραδασμών μπορεί επίσης να χρησιμοποιηθεί για μια προκαταρκτική αξιολόγηση της έκθεσης στους κραδασμούς.

### ΠΡΟΕΙΔΟΠΟΙΗΣΗ:

- Η εκπομπή κραδασμών κατά τη διάρκεια της πραγματικής χρήσης του ηλεκτρικού εργαλείου μπορεί να διαφέρει από τη δηλωθείσα τιμή των εκπομπών, ανάλογα με τον τρόπο με τον οποίο χρησιμοποιείται το εργαλείο.
- Φροντίστε να λάβετε τα μέτρα ασφαλείας που απαιτούνται για την προστασία του χρήστη που βασίζονται σε μια εκτίμηση της έκθεσης σε πραγματικές συνθήκες χρήσης (λαμβάνοντας υπόψη όλα τα μέρη του κύκλου λειτουργίας, όπως είναι οι περιπτώσεις κατά τις οποίες το εργαλείο είναι απενεργοποιημένο και όταν λειτουργεί στο ρελαντί επιπροσθέτως του χρόνου κατά τον οποίο το εργαλείο βρίσκεται σε χρήση).

### Για τις ευρωπαϊκές χώρες μόνο

ENH040-4

### ΕΚ – Δήλωση συμμόρφωσης

### Η Makita δηλώνει ότι το παρακάτω μηχάνημα(τα):

Όνομασία μηχανήματος:

Ψαλίδι Μπορντούρας Μπαταρίας

Αρ. Μοντέλου/Τύπος: DUH481, DUH483, DUH521, DUH523

Προδιαγραφές: δείτε τον πίνακα “ΠΡΟΔΙΑΓΡΑΦΕΣ”.

### Συμμορφώνονται με τις ακόλουθες Ευρωπαϊκές Οδηγίες:

2000/14/ΕΚ, 2006/42/ΕΚ

Κατασκευάζονται σύμφωνα με το παρακάτω πρότυπο ή τυποποιημένα έγγραφα:

EN60745

Το τεχνικό αρχείο σύμφωνα με την 2006/42/ΕΚ είναι διαθέσιμο από:

Makita, Jan-Baptist Vinkstraat 2, 3070, Belgium

Η διαδικασία εκτίμησης συμμόρφωσης που απαιτείται από την Οδηγία 2000/14/EK εκτελέστηκε σύμφωνα με το Παράρτημα V.

Μοντέλα DUH481

Μετρημένο Επίπεδο Ηχητικής Ισχύος: 83,2 dB (A)

Εγγυημένο Επίπεδο Ηχητικής Ισχύος: 86 dB (A)

Μοντέλα DUH483

Μετρημένο Επίπεδο Ηχητικής Ισχύος: 83,8 dB (A)

Εγγυημένο Επίπεδο Ηχητικής Ισχύος: 88 dB (A)

Μοντέλα DUH521

Μετρημένο Επίπεδο Ηχητικής Ισχύος: 82,9 dB (A)

Εγγυημένο Επίπεδο Ηχητικής Ισχύος: 86 dB (A)

Μοντέλα DUH523

Μετρημένο Επίπεδο Ηχητικής Ισχύος: 84,3 dB (A)

Εγγυημένο Επίπεδο Ηχητικής Ισχύος: 89 dB (A)

28. 4. 2015



Yasushi Fukaya

Διευθυντής

Makita, Jan-Baptist Vinkstraat 2, 3070, Belgium

# TÜRKÇE (Orijinal talimatlar)

## Genel görünüm

- |                          |  |                  |
|--------------------------|--|------------------|
| 1. Kırmızı gösterge      | 13. Bıçakların eğim açısı                  | 24. Vidalar      |
| 2. Düşme                 | 14. İp                                     | 25. Alt kapak    |
| 3. Akü                   | 15. Bastırın                               | 26. Sünger       |
| 4. Yıldız işareti        | 16. Atık toplayıcı                         | 27. Pul          |
| 5. Gösterge lambaları    | 17. Somun                                  | 28. Dişli        |
| 6. Kontrol düğmesi       | 18. Budama bıçağı                          | 29. Halkalar     |
| 7. Açma/kapama düğmesi A | 19. Kancalar                               | 30. Yuva         |
| 8. Açma/kapama düğmesi B | 20. Kancaları yuvaya oturtun               | 31. Bıçak kapağı |
| 9. Kilitleme düğmesi     | 21. Yuvalar                                | 32. Gres         |
| 10. Gösterge lambası     | 22. Tırnakları her iki tarafından bastırın | 33. Bıçak        |
| 11. Budama yönü          |  |                  |
| 12. Budanacak çit yüzeyi | 23. Kancaları serbest bırakın              |                  |

## TEKNİK ÖZELLİKLER

| Model                               | DUH481             |                              | DUH483                                    |  | DUH521             |                              | DUH523                                    |  |
|-------------------------------------|--------------------|------------------------------|---|--|--------------------|------------------------------|---|--|
| Bıçak uzunluğu                      | 480 mm             |                              |   |  | 520 mm             |                              |   |  |
| Vuruş / dakika (dak <sup>-1</sup> ) | 1.350              |                              |   |  |                    |                              |   |  |
| Anma gerilimi                       | D.C.14,4 V         |                              | D.C.18 V                                  |  | D.C.14,4 V         |                              | D.C.18 V                                  |  |
| Toplam uzunluk                      | 869 mm             | 881 mm                       | 873 mm                                    | 888 mm   | 919 mm             | 931 mm                       | 923 mm                                    | 938 mm   |
| Net ağırlık                         | 2,9 kg             | 3,1 kg                       | 3,0 kg                                    | 3,2 kg   | 3,0 kg             | 3,2 kg                       | 3,0 kg                                    | 3,3 kg   |
| Akü                                 | BL1415/<br>BL1415N | BL1430/<br>BL1440/<br>BL1450 | BL1815/<br>BL1815N/<br>BL1820/<br>BL1820B | BL1830/<br>BL1840/<br>BL1840B/<br>BL1850/<br>BL1850B | BL1415/<br>BL1415N | BL1430/<br>BL1440/<br>BL1450 | BL1815/<br>BL1815N/<br>BL1820/<br>BL1820B | BL1830/<br>BL1840/<br>BL1840B/<br>BL1850/<br>BL1850B |
| Akü şarj cihazı                     | DC18RC, DC18SD     |                              |   |  |                    |                              |   |  |

- Sürekli yapılan araştırma ve geliştirmelerden dolayı, burada belirtilen özellikler önceden bildirilmeksizin değiştirilebilir.
- Özellikler ve akü ülkeye göre farklılıklar gösterebilir.
- EPTA Prosedürü 01/2003 uyarınca ağırlık (akü dahil)

### Simgeler

END013-4

Makine için kullanılan simgeler aşağıda gösterilmiştir. Makineyi kullanmaya başlamadan önce bu simgelerin ne anlama geldiğini öğrenin.



..... Kullanım kılavuzunu okuyun.



..... Yağmura maruz bırakmayın.



..... Sadece AB ülkeleri için

Elektrik cihazları ve pilleri ev çöpüyle birlikte atmayın!  
Elektrikli ve Elektronik Cihaz Atıkları, Piller ve Aküler ve Pili ve Akü Atıkları Hakkındaki Avrupa Yönergeleri ve bunların ulusal kanunlara göre uygulanışı uyarınca kullanım ömrünü tamamlayan elektrikli cihazlar ve piller mutlaka ayrı olarak toplanmalı ve çevre şartlarına uygun bir geri dönüşüm tesisine gönderilmelidir.

### Kullanım amacı

ENE014-1

Bu makine çitlerin budanması için tasarlanmıştır.

## Genel Elektrikli Aletler Güvenlik Uyarıları

GEA010-1

**⚠ UYARI** Tüm güvenlik uyarılarını ve tüm talimatları okuyun. Verilen uyarılara ve talimatlara uyulmaması elektrik çarpmasına, yangına ve/veya ciddi yaralanmalara yol açabilir.

## Tüm uyarıları ve talimatları ilerde başvurmak üzere saklayın.

## AKÜLÜ ÇİT BUDAMAYLA İLGİLİ GÜVENLİK UYARILARI

GEB062-5

- Ellerinizi, yüzünüzü vb. kesinlikle kesici bıçağa yaklaştırmayın. Bıçaklar hareket halindeyken kesilen veya kesilecek parçaları almaya veya tutmaya çalışmayın. Tıkanıklıkları temizlemeden önce açma/kapama düğmesinin kapalı konuma getirildiğinden emin olun. Çit budama kullanılırken bir anlık dikkatsizlik ciddi yaralanmalara yol açabilir.
- Çit budamayı, kesici bıçağı duruktan sonra tutma yerinden tutarak taşıyın. Çit budama taşınırken veya saklanırken kesici bıçak kapağı mutlaka takılı olmalıdır. Çit budamanın doğru şekilde taşınması,

kesici bıçaklar nedeniyle meydana gelebilecek yaralanmaları önleyecektir.

- Kesici bıçak, gizli kablolarla temas edebileceğinden makineyi yalnızca yalıtımlı saplarından tutun.** Kesici bıçakların, elektrik akımı bulunan kablolarla temas etmesi halinde akım, iletken metal parçalar üzerinden operatöre iletilerek, elektrik çarpmasına yol açabilir.
- Çit budamayı yağmurlu havalarda veya ıslak veya çok nemli ortamlarda kullanmayın. Elektrik motoru su geçirmez özellikte değildir.
- Makineyi ilk defa kullanacaklar, deneyimli bir çit budama kullanıcısından makinenin nasıl kullanılacağını kendisine göstermesini istermelidir.
- Çit budama kesinlikle çocuklar veya 18 yaşın altındaki gençler tarafından kullanılmamalıdır. Bir uzman gözetimi altında eğitim alan 16 yaşın üstündeki gençler bu kısıtlamanın dışında tutulabilir.
- Çit budamayı yalnızca fiziksel açıdan iyi durumdayken kullanın. Yorgunsanız, dikkatiniz dağılacaktır. Çalışma gününün sonuna yaklaşırken daha dikkatli olun. Tüm işlerinizi sakın ve dikkatli bir şekilde yürütün. Üçüncü taraflarda doğacak tüm hasarlardan kullanıcı sorumlu olacaktır.
- Çit budamayı kesinlikle alkol, uyuşturucu madde veya ilaçların etkisi altındayken çalıştırmayın.
- Sert deriden imal edilen iş eldivenleri, çit budamanın temel parçalarından biridir ve mutlaka çalışma süresi boyunca takılmalıdır. Ayrıca, çalışırken altı kaymayan sağlam ayakkabılar giyin.
- Çalışmaya başlamadan önce, çit budamanın iyi durumda olduğunu ve güvenli çalıştığını kontrol edin. Muhafazaların doğru şekilde takılı olduğundan emin olun. Çit budama tam olarak kurulu değilse kesinlikle kullanılmamalıdır.
- Çalışmaya başlamadan önce yere sağlam ve dengeli bastığınızdan emin olun.
- Çalıştırırken makineyi sağlam şekilde kavrayın.
- Makineyi gereksiz yere yüksüz çalıştırmayın.
- Kesici bıçak bir çit demirine veya benzeri sert bir cisme temas ederse, motoru derhal kapatın ve aküyü çıkartın. Kesici bıçakta hasar olup olmadığını kontrol edin ve gerekirse, derhal onarın.
- Kesici bıçağı kontrol etmeye başlamadan önce, kaçak kontrolü yapın ve varsa kesici bıçağa takılmış yabancı maddeleri temizleyin; bu işlemler sırasında mutlaka çit budamayı kapalı konuma getirin ve aküsünü çıkartın.
- Herhangi bir bakım çalışması gerçekleştirmeden önce çit budamayı kapalı konuma getirin ve aküsünü çıkartın.
- Çit budamayı çalışma esnasında veya diğer zamanlarda başka bir yere taşırken, mutlaka aküsünü çıkartın ve kesici bıçaklar üzerindeki kapağı kapalı tutun. Çit budamayı kesinlikle kesici bıçağı hareket halindeyken taşımayın. Kesici bıçağı kesinlikle çıplak elle tutmayın.
- Her kullanımdan sonra ve uzun süreliğine depoya kaldırmadan önce çit budamayı ve özellikle de kesici bıçağını temizleyin. Kesici bıçağı hafifçe yağlayın ve kapağını kapatın. Ürünle birlikte verilen kapak duvara asılabilir ve böylece çit budama güvenli ve pratik bir şekilde saklanmış olur.
- Çit budamayı kapağını taktıktan sonra kuru bir yerde saklayın. Çocukların ulaşamayacağı bir yerde

saklayın. Çit budamayı kesinlikle açık bir yerde bırakmayın.

## BU TALİMATLARI SAKLAYIN.



### UYARI:

Ürünü kullanırken defalarca kullanmanın getirdiği rahatlık ve tanıdıklı duygusunu, günlük kurallarına sıkı sıkıya bağlı kalmanızı önlemesine İZİN VERMEYİN. YANLIŞ KULLANIM veya bu kullanım kılavuzunda belirtilen güvenlik kurallarına uyulmaması ciddi yaralanmalara neden olabilir.

## ÖNEMLİ GÜVENLİK TALİMATLARI

ENC007-9

### AKÜ İÇİN

- Akü kullanmaya başlamadan önce (1) akü şarj cihazı, (2) akü ve (3) akünün takıldığı ürüne ilişkin tüm talimatları ve uyarıları okuyun.**
- Akü sökme çalışmayın.**
- Çalışma süresinde önemli bir kısıtla gözlerseniz, hemen çalışmayı bırakın. Bu durum aşırı ısınmaya, yangına ve hatta patlamaya yol açabilir.**
- Elektrolit (akü sıvısı) gözlerinize temas ederse, bol temiz suyla yıkayın ve derhal bir doktora başvurun. Elektrolit körlüğe neden olabilir.**
- Akünün kısa devre yapmasını önleyin:**
  - Herhangi bir iletken nesne ile akü uçlarına dokunmayın.
  - Aküyü çivi, madeni para vb. metal nesnelerin bulunduğu bir yerde saklamayın.
  - Aküyü suya veya yağmura maruz bırakmayın. Aküde oluşan kısa devre büyük bir elektrik akımına, aşırı ısınmaya, yangına ve aletin bozulmasına yol açabilir.
- Aleti ve aküyü 50°C (122°F) sıcaklığa ulaşabilecek veya bu değeri aşabilecek ortamlarda saklamayın.**
- Önemli ölçüde hasar görmüş veya tümüyle tükenmiş olsa da aküyü kesinlikle yakarak imha etmeye çalışmayın. Akü ateşe atıldığında patlayabilir.**
- Akünün düşmemesine ve darbe almamasına dikkat edin.**
- Hasarlı bir aküyü kesinlikle kullanmayın.**
- Akünün atılması sırasında ilgili yönetmeliklere uyun.**

## BU TALİMATLARI SAKLAYIN.

### Akünün öngörülen maksimum ömrü dolana kadar kullanılması için öneriler

- Aküyü tamamen boşalmasını beklemeden şarj edin.**

Aletin çalışma gücünde bir azalma gördüğünüzde, mutlaka çalışmayı bırakıp, aküyü şarj edin.
- Tam olarak şarj edilmiş bir aküyü tekrar şarj etmeyin.**

Akünün normalden fazla şarj edilmesi ömrünü kısaltır.
- Aküyü 10°C - 40°C (50°F - 104°F) değerlerini aşmayan oda sıcaklığında şarj edin. Akü**



ısınmışsa, şarj etmeden önce soğumasını bekleyin.

4. Uzun (altı ayı aşkın) bir süredir kullanmıyorsanız aküyü şarj edin.

## KULLANIMA İLİŞKİN TANIMLAR

### ⚠ DİKKAT:

- Makine üzerinde ayar veya başka bir kontrol işlemi yapmadan önce makinenin kapalı ve aküsünün çıkartılmış olduğundan emin olun.

### Akünün takılması ve çıkartılması (Şekil 1)

#### ⚠ DİKKAT:

- Aküyü takmadan ve çıkarmadan önce mutlaka makineyi kapalı konuma getirin.
- Aküyü takarken ve çıkartırken makineyi ve aküyü sıkıca tutun.** Aksi takdirde, makine ve akü elinizden kayarak düşebilir ve neticesinde makine ve akü hasarları ve yaralanmalar meydana gelebilir.

Aküyü çıkarmak için akünün ön tarafında bulunan düğmeye bastırın ve aküyü çekerek makineden çıkartın. Aküyü takmak için aküdeki dili makine gövdesindeki girintiyle aynı hizaya getirin ve aküyü iterek yerine oturmasını sağlayın. Akünün tam yerine oturduğunu klik sesinden anlayabilirsiniz. Düğmenin üst tarafında bulunan kırmızı göstereyi görüyorsanız, akü tam olarak kilitlenmemiştir.

#### ⚠ DİKKAT:

- Kırmızı gösterge tamamen kayboluncaya kadar aküyü itin. Aksi takdirde, akü makineden kayıp düşebilir ve operatörün veya çevredeki kişilerin yaralanmasına neden olabilir.
- Aküyü zorlayarak takmaya çalışmayın. Akünün makineye rahatça takılmaması, yanlış takıldığını gösterir.

### Akü koruma sistemi (Yıldız işaretli lityum akülerde) (Şekil 2)

Yıldız işaretli lityum akülerde koruma sistemi mevcuttur. Bu sistem, akü ömrünü uzatmak için makineye beslenen gücü otomatik olarak keser.










Makine ve/veya akü için aşağıda sıralanan durumlardan birinin geçerli olması halinde, çalışmayı otomatik olarak durdurur:

- Aşırı yüklenme:**  
Makine anormal yüksek akım çekecek şekilde çalışır. Böyle bir durumda, makine üzerindeki açma/kapama düğmesinden elinizi çekin ve makinenin aşırı yüklenmesine neden olan uygulamayı durdurun. Ardından, yeniden başlatmak için açma/kapama düğmesine tekrar basın.  
Makine çalışmıyorsa, akü aşırı ısınmıştır. Böyle bir durumda, açma/kapama düğmesine tekrar basmadan önce akünün soğumasını bekleyin.
- Düşük akü gerilimi:**  
Kalan akü kapasitesi çok düşüktür ve makine çalışmıyordur. Böyle bir durumda, aküyü çıkartın ve şarj edin.

### Kalan akü kapasitesinin kontrol edilmesi

(Yalnızca model numarasının sonunda "B" harfi içeren akülerde mevcuttur.) (Şekil 3)

Kalan akü kapasitesini görmek için akü üzerindeki kontrol düğmesine basın. Ardından, gösterge lambaları birkaç saniye yanar.

| Gösterge lambaları   |  |  | Kalan kapasite         |
|--|--|--|------------------------|
|  Açık |  Kapalı |  Yanıp sönyör |                        |
|       |  |  | %75 ile %100 arası     |
|       |  |  | %50 ile %75 arası      |
|       |  |  | %25 ile %50 arası      |
|       |  |  | %0 ile %25 arası       |
|       |  |  | Aküyü şarj edin.       |
|       |  |  | Akü bozulmuş olabilir. |

015658

#### NOT:

- Gösterilen kapasite seviyesi, kullanım koşullarına ve ortam sıcaklığına bağlı olarak gerçek seviyeden bir miktar farklı olabilir.

### Açma/kapama işlemi

#### ⚠ DİKKAT:

- Aküyü makineye takmadan önce, açma/kapama düğmesinin kusursuz çalışıp çalışmadığını ve açma/kapama düğmesi bırakıldığında "KAPALI" konuma dönüp dönmediğini kontrol edin. (Şekil 4)

Güvenliğiniz için makinede bir ikili açma/kapama sistemi bulunmaktadır. Makineyi açık konuma getirmek için, kilitleme düğmesine ve A ve B açma/kapama düğmelerine basın. Kapatmak için ise iki açma/kapama düğmesinden birini serbest bırakın. Makine yalnızca iki düğmesine birden basılıncaya çalıştığı için basma sırası önemli değildir.

### Gösterge lambası (Şekil 5)

Makine çalışırken, gösterge lambası daima akünün kapasite durumunu gösterir.

Makine aşırı yüklenmişse ve çalışma sırasında durursa, lamba kırmızı yanmaya başlar.

Gösterge lambasının durumu ve ilgili durumda alınması gereken önlemler için aşağıdaki tabloya bakın.



| Gösterge lambası                        | Durumu  | Alınacak önlem                              |
|---|---|---|
| Lamba kırmızı yanıp sönüyor             | Aküdeki güç azaldığında akünün değiştirilmesi gerektiğini gösterir.                   | Aküyü mümkün olan en kısa sürede şarj edin. |
| Lamba kırmızı sabit yanıyor.<br>(Not 1) | Bu işlev, aküdeki güç tükenmek üzereyken devreye girer. Ardından, makine hemen durur. | Aküyü şarj edin.                            |
| Lamba kırmızı sabit yanıyor.<br>(Not 1) | Makine, aşırı yüklenme nedeniyle kendiliğinden durmuştur                              | Makineyi kapalı konuma getirin.             |

Not 1: Gösterge lambasının yandığı süre, çalışma alanındaki sıcaklığa ve akünün durumuna bağlı olarak değişir.

010970

## KULLANIM

### ⚠ DİKKAT:

- Budama sırasında makinenin, çit demirine veya benzeri sert bir cisme temas etmemesine dikkat edin. Aksi takdirde, bıçak kırılarak ciddi yaralanmalara yol açabilir.
- Özellikle de merdiven üzerindeyken çit budamayla ileri uzanmaya çalışmak çok tehlikelidir. Kesinlikle sallanan veya sabit olmayan platformlar üzerinde çalışmayın. **(Şekil 6)**

Bu çit budamayla çapı 10 mm'den büyük dal parçalarını kesmeye çalışmayın. Bu tür dal parçaları öncelikle makas kullanılarak çit budama seviyesine indirilmelidir.

### ⚠ DİKKAT:

- Ölü ağaç parçaları veya benzeri sert cisimleri kesmeye çalışmayın. Aksi takdirde, makine hasar görebilir. **(Şekil 7)**

Çit budamayla her iki elinizle kavradıktan sonra açma/kapama düğmesi A veya B'ye basın ve makineyi vücudunuzun önünde tutun. **(Şekil 8)**  
Temel bir çalışma ilkesi olarak, bıçakları budama yönüne eğimli tutun ve makineyi, 3 - 4 saniyede bir metre budayacak bir hızda sakın ve yavaşça hareket ettirin. **(Şekil 9)**

İstenen çit yüksekliğine bir ip bağlanması ve budama işleminin bu ip referans alınarak gerçekleştirilmesi çitin üst kısmının eşit uzunlukta kesilmesine yardımcı olur. **(Şekil 10)**

Çitler düz budanırken makineye bir atık toplayıcının (opsiyonel aksesuar) takılması, kesilen yaprakların etrafa dağılmasını önleyebilir. **(Şekil 11)**

Çitin yan kısmının eşit uzunlukta kesilmesi için, aşağıdan yukarıya doğru çalışılması yararlı olabilir. **(Şekil 12)**  
Çalı veya orman güllerini alttan yukarı doğru budayarak hoş bir görünüm elde edebilirsiniz.

## Atık toplayıcının (opsiyonel aksesuar) takılması ve sökülmesi

### ⚠ DİKKAT:

- Atık toplayıcıyı takmadan veya sökmeden önce, mutlaka makinenin kapalı ve fişinin çekildi olduğundan emin olun.

### NOT:

- Atık toplayıcıyı değiştirirken daima eldiven takın, böylece elleriniz ve yüzünüz bıçakla doğrudan temas etmeyecektir. Aksi takdirde, yaralanmalar meydana gelebilir.
- Atık toplayıcıyı takmadan önce, bıçak kapağının çıkartıldığını emin olun.

- Atık toplayıcı, kesilen yaprakları toplar ve böylece yaprakların etrafı saçılmasını azaltır. Canca makinenin her iki tarafına da takılabilir. **(Şekil 13)**

Atık toplayıcıyı, boşluk kısımları budama bıçakları üzerindeki somunlara karşılık gelecek şekilde kesici bıçaklara bastırın. **(Şekil 14)**  
Atık toplayıcı, kancaları budama bıçağı tertibatı üzerindeki yuvalara oturacak şekilde takılmalıdır. **(Şekil 15)**  
Atık toplayıcıyı çıkarmak için, her iki tarafındaki tırnaklara bastırarak kancaların serbest kalmasını sağlayın.

### ⚠ DİKKAT:

- Bıçak kapağı (standart parça) ile atık toplayıcı aynı anda takılamaz. Makineyi taşımadan veya depoya kaldırmadan önce, atık toplayıcıyı çıkartın ve ardından, bıçağın açıkta kalmaması için bıçak kapağını takın.

### NOT:

- Kullanmaya başlamadan önce, atık toplayıcının sağlam şekilde takıldığını kontrol edin.
- Kancaları bıçak tertibatı yuvalarına takılıyken kesinlikle aşırı kuvvet kullanarak atık toplayıcıyı çıkarmaya çalışmayın. Aşırı kuvvet uygulanması, hasar verebilir.

## BAKIM

### ⚠ DİKKAT:

- Makinede herhangi bir kontrol veya bakım işlemine başlamadan önce makinenin kapalı ve aküsünün çıkartılmış olduğundan emin olun.

## Makinenin temizlenmesi

Makine üzerindeki tozları kuru veya sabunlu bezle temizleyin.

### ⚠ DİKKAT:

- Kesinlikle gazolin, benzin, tiner, alkol veya benzeri bir madde kullanmayın. Aksi takdirde renk bozulması, deformasyon veya çatlaklar meydana gelebilir.

## Bıçak bakımı

Bıçağı kullanmadan önce ve her saat başı makine yağı veya muadili bir yağla iyice yağlayın.

### NOT:

- Bıçağa yağ uygulamadan önce, atık toplayıcıyı çıkartın.  
Çalışma sonunda, bıçağın her iki tarafındaki tozları bir tel fırça yardımıyla temizleyin, bıçağı bir bezle silin ve ardından makine yağı vs. veya sprey tipi yağlama yağı gibi düşük viskoziteli bir yağla iyice yağlayın.

### ⚠ DİKKAT:

- Bıçakları suda yıkamayın. Aksi takdirde, makine paslanabilir veya hasar görebilir.

## Budama bıçağının sökülmesi ve takılması

### ⚠ DİKKAT:

- Budama bıçağını takip çıkarmadan önce mutlaka makinenin kapalı ve aküsünün çıkartılmış olduğundan emin olun.
- Budama bıçağını değiştirirken, bıçak kapağını açmadan önce mutlaka koruyucu eldiven takın, böylece elleriniz ve yüzünüzün doğrudan bıçağa temas etmesini önlemiş olursunuz. Aksi takdirde, yaralanmalar meydana gelebilir.

### NOT:

- Dişli ve kranktaki gresi silmeyin. Aksi takdirde, makine hasar görebilir.

## Budama bıçaklarının sökülmesi (Şekil 16)

Makineyi ters çevirin, dört adet vidayı gevşetin ve alt kapağı çıkarın.

### NOT:

- Budama bıçağı hareket alanına gres uygulandığından, ellerinizin kirlenmemesine dikkat edin. (Şekil 17)

Dört vidayı gevşetin ve bıçakları çıkarın. Budama bıçaklarındaki pulu ve süngeri çıkartın ve bir kenara kaldırın. Daha sonraki montaj işleminde gerekli olacaktır. (Şekil 18)

Halkalar dişli deliklerinde kalmışsa, dişliyi sökün ve halkaları bir tornavida veya benzeri bir alet yardımıyla bastırarak delikten çıkartın.

### NOT:

Dişli sökülürken, dişlinin altındaki pul da kazara çıkabilir. Böyle bir durumda, pulu başlangıçtaki konumuna geri takın.

## Budama bıçağının takılması (Şekil 19)

Eski budama bıçakları üzerindeki bıçak kapağını çıkartın ve bıçaklara temas edilmesini önlemek için yeni bıçaklara takın. (Şekil 20)

Dişliyi şekilde gösterildiği gibi çevirerek delik konumlarını ayarlayın. (Şekil 21 ve 22)

Yeni budama bıçaklarıyla birlikte verilen gresten şekilde gösterildiği gibi bir miktar uygulayın. (Şekil 23)

Çıkarılan süngeri başlangıçtaki konumuna yerleştirin.

Yeni budama bıçaklarıyla birlikte verilen halkaların, bıçak pimlerine takıldığından emin olun. Yeni budama bıçaklarını pimleri dişli deliklerine gelecek şekilde yerleştirin. Pimler üzerindeki halkalar yanlışlıkla çıkarsa, önceden dişli deliklerine yerleştirin. (Şekil 24)

Bıçağı takın, dört adet vidayı sıkın ve çıkartılan pulu eskisiyle aynı konuma yerleştirin. (Şekil 25)

Alt kapağı makineye takın ve dört adet vidayı sağlam şekilde sıkın.

## Saklama

Makinenin altındaki kanca deliği makinenin duvardaki bir çiviye veya vidaya asılması için uygundur. (Şekil 26)

Aküyü çıkartın ve bıçakların açıkta kalmaması için budama bıçaklarının kapağını kapatın. Makineyi çocukların ulaşmayacağı bir yere dikkatlice kaldırın.

Makineyi suya veya yağmura maruz kalmayacağı bir yerde saklayın. Ürünün EMNİYETLİ ve GÜVENİLİR durumda kalmasını sağlamak için tüm onarımlar, bakım ve ayarlar Makita yetkili servisleri veya fabrika servis merkezleri tarafından Makita yedek parçaları kullanılarak yapılmalıdır.

## OPSİYONEL AKSESUARLAR

### ⚠ DİKKAT:

- Bu kullanım kılavuzunda tanıtilan Makita marka makineyle aşağıdaki aksesuarların ve parçaların kullanılması önerilir. Bunların dışında başka aksesuarların veya parçaların kullanılması yaralanmalara yol açabilir. Aksesuarlar ve parçalar doğru şekilde ve öngörüldükleri işlevler için kullanılmalıdır.

Aksesuarlara ilişkin daha ayrıntılı bilgi almak için size en yakın yetkili Makita servisine başvurabilirsiniz.

- Bıçak kapağı
- Budama bıçağı tertibatı
- Orijinal Makita akü ve şarj cihazı
- Atık toplayıcı

### NOT:

- Listedeki bazı parçalar makineyle birlikte standart aksesuar olarak verilebilir. Ürünle verilen aksesuarlar ülkeden ülkeye farklılıklar gösterebilir.

### Gürültü

ENG905-1

EN60745 uyarınca belirlenen tipik A ağırlıklı gürültü seviyesi:

#### DUH481, DUH483 ve DUH521 Modeli

Ses basıncı seviyesi ( $L_{pA}$ ): 75 dB (A)

Belirsizlik (K): 2,5 dB (A)

Çalışma sırasında gürültü seviyesi 80 dB (A)'yı aşabilir.

#### DUH523 Modeli

Ses basıncı seviyesi ( $L_{pA}$ ): 77 dB (A)

Belirsizlik (K): 2,5 dB (A)

Çalışma sırasında gürültü seviyesi 80 dB (A)'yı aşabilir.

#### Koruyucu kulaklık kullanın.

### Titreşim

ENG900-1

EN60745'e göre belirlenen toplam titreşim değeri (üç eksenli vektörel toplam):

Çalışma modu: çit budama

Titreşim emisyonu ( $a_{hA}$ ): 2,5 m/s<sup>2</sup> veya daha düşük

Belirsizlik (K): 1,5 m/s<sup>2</sup>

ENG901-1

- Belirtilen titreşim emisyonu değeri, standart test yöntemine göre ölçülmüştür ve makinenin diğer makinelerle karşılaştırılması için kullanılabilir.
- Belirtilen titreşim emisyonu değeri ayrıca maruziyetin ön değerlendirilmesinde de kullanılabilir.

### ⚠ UYARI:

- Elektrikli aletin gerçek kullanımı sırasında ortaya çıkacak titreşim emisyonu, aletin kullanıma şekline bağlı olarak belirtilen emisyon değerinden farklı olabilir.
- Gerçek kullanım koşullarındaki maruziyeti tahmin ederek (örneğin, aletin açılma süresine ek olarak kapalı konuma getirildiği ve rölantide çalıştığı süreler gibi çalışma döngüsünün tüm bileşenlerini dikkate alın), kullanıcıyı korumak için gerekli güvenlik önlemlerinin alındığından emin olun.

**AT Uygunluk Beyanı**

**Makita aşağıdaki Makine(ler) ile ilgili şu hususları beyan eder:**

Makinenin Adı:  
Akülü Çit Budama  
Model Numarası/Tipi: DUH481, DUH483, DUH521,  
DUH523  
Teknik Özellikler: bkz. "TEKNİK ÖZELLİKLER"  
tablosu.

**Şu Avrupa Yönergelerine uygundur:**

2000/14/EC, 2006/42/EC

Şu standartlara veya standartlaştırılmış belgelere uygun olarak üretilmiştir:

EN60745

2006/42/EC'ye uygun teknik dosyaya şu adresten ulaşılabilir:

Makita, Jan-Baptist Vinkstraat 2, 3070, Belçika

2000/14/EC sayılı Direktif tarafından istenen uygunluk değerlendirme prosedürü, Ek V'e uygundur.

DUH481 Modeli

Ölçülen Ses Gücü Düzeyi: 83,2 dB (A)

Garanti Edilen Ses Gücü Düzeyi: 86 dB (A)

DUH483 Modeli

Ölçülen Ses Gücü Düzeyi: 83,8 dB (A)

Garanti Edilen Ses Gücü Düzeyi: 88 dB (A)

DUH521 Modeli

Ölçülen Ses Gücü Düzeyi: 82,9 dB (A)

Garanti Edilen Ses Gücü Düzeyi: 86 dB (A)

DUH523 Modeli

Ölçülen Ses Gücü Düzeyi: 84,3 dB (A)

Garanti Edilen Ses Gücü Düzeyi: 89 dB (A)

28. 4. 2015



Yasushi Fukaya

Müdür

Makita, Jan-Baptist Vinkstraat 2, 3070, Belçika

**Makita** Jan-Baptist Vinkstraat 2, 3070, Belgium  
**Makita Corporation** Anjo, Aichi, Japan

885312B997

[www.makita.com](http://www.makita.com)

ALA