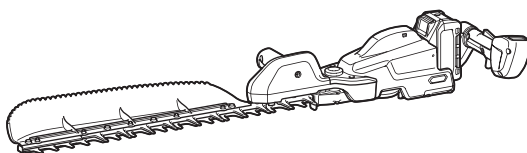




<b>EN</b>	<b>Cordless Hedge Trimmer</b>	<b>INSTRUCTION MANUAL</b>	<b>8</b>
<b>FR</b>	<b>Taille-haie sans fil</b>	<b>MANUEL D'INSTRUCTIONS</b>	<b>18</b>
<b>DE</b>	<b>Akku-Heckenschere</b>	<b>BETRIEBSANLEITUNG</b>	<b>29</b>
<b>IT</b>	<b>Tagliasiepi a batteria</b>	<b>ISTRUZIONI PER L'USO</b>	<b>40</b>
<b>NL</b>	<b>Accuheggenschaar</b>	<b>GEBRUIKSAANWIJZING</b>	<b>51</b>
<b>ES</b>	<b>Cortasetos Inalámbrico</b>	<b>MANUAL DE INSTRUCCIONES</b>	<b>62</b>
<b>PT</b>	<b>Aparador De Cerca Viva a Bateria</b>	<b>MANUAL DE INSTRUÇÕES</b>	<b>73</b>
<b>DA</b>	<b>Akku hækketrimmer</b>	<b>BRUGSANVISNING</b>	<b>84</b>
<b>EL</b>	<b>Φορητό ψαλίδι μπορντούρας</b>	<b>ΕΓΧΕΙΡΙΔΙΟ ΟΔΗΓΙΩΝ</b>	<b>94</b>
<b>TR</b>	<b>Akülü Çit Budama</b>	<b>KULLANMA KILAVUZU</b>	<b>106</b>

**UH013G**  
**UH014G**



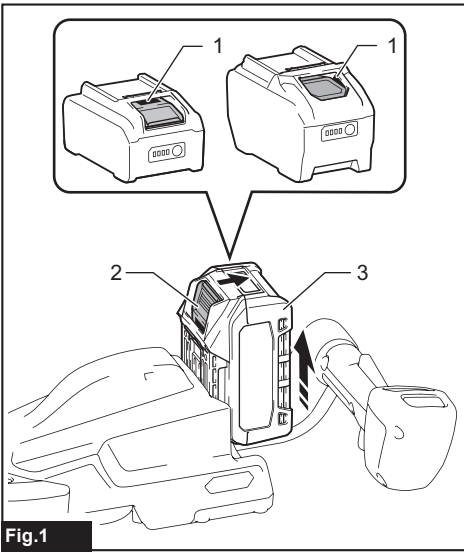


Fig.1

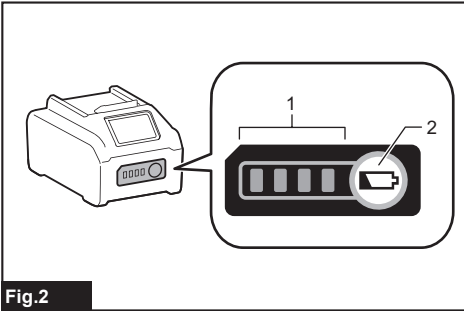


Fig.2

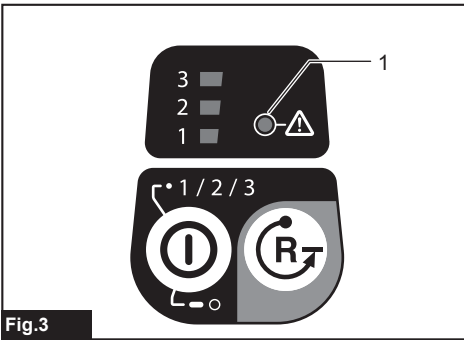


Fig.3

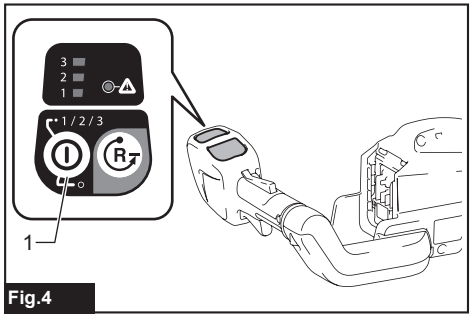


Fig.4

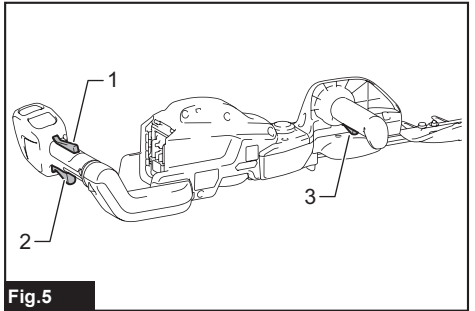


Fig.5

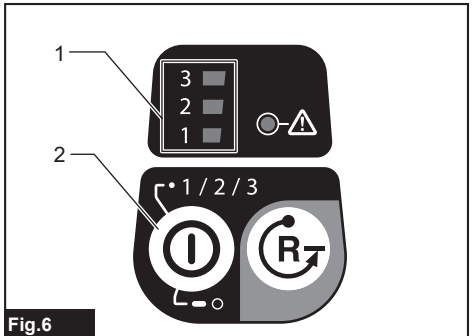


Fig.6

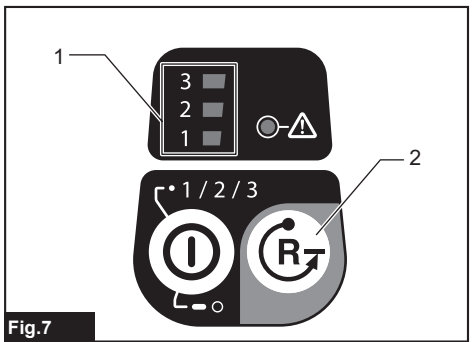


Fig.7

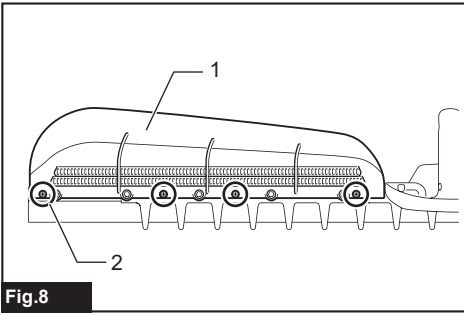


Fig.8

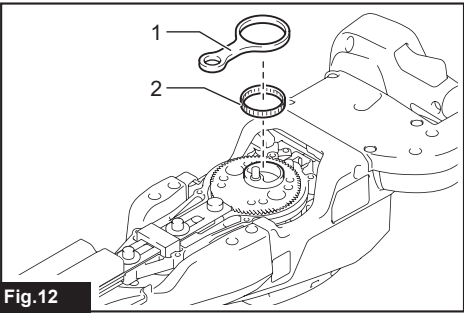


Fig.12

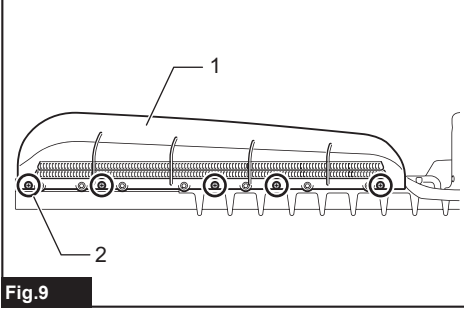


Fig.9

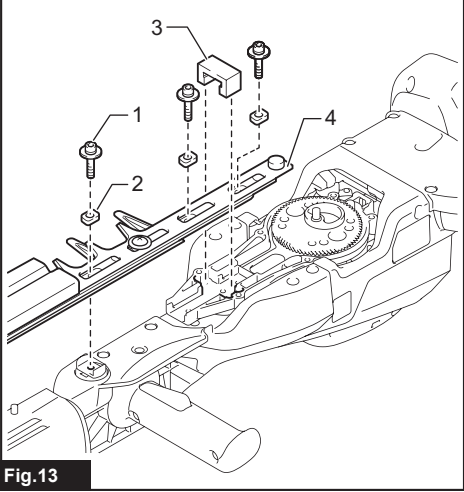


Fig.13

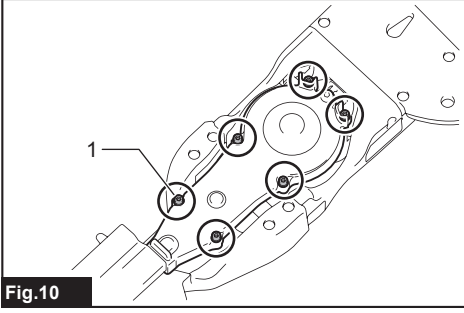


Fig.10

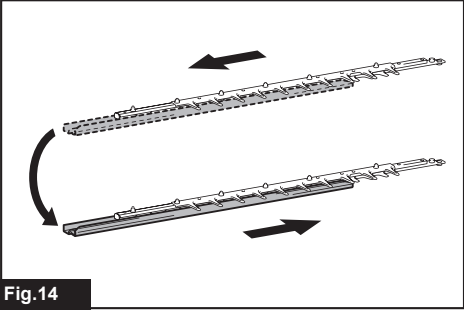


Fig.14

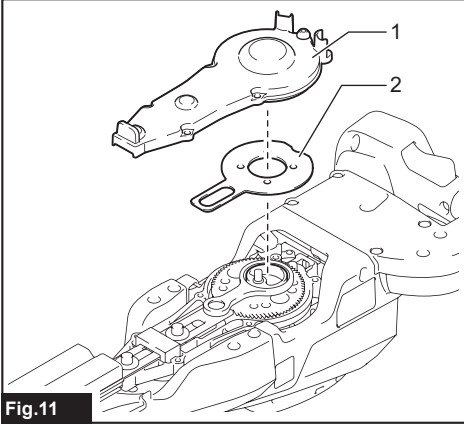


Fig.11

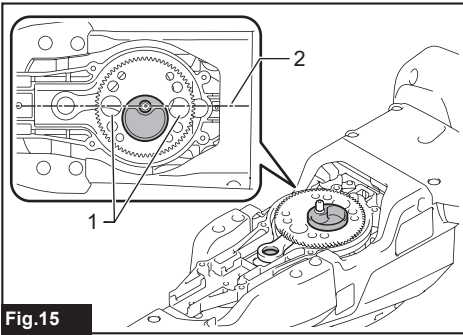


Fig. 15

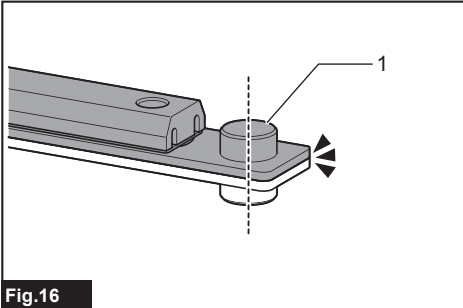


Fig. 16

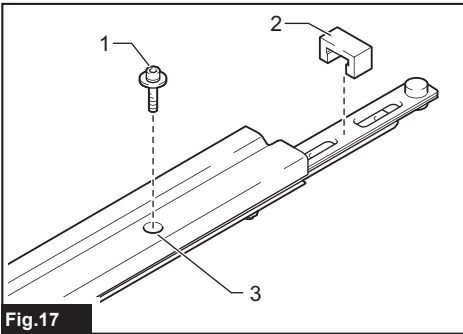


Fig. 17

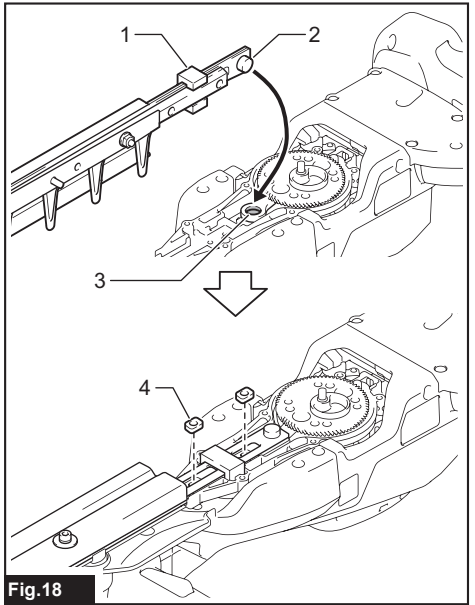


Fig. 18

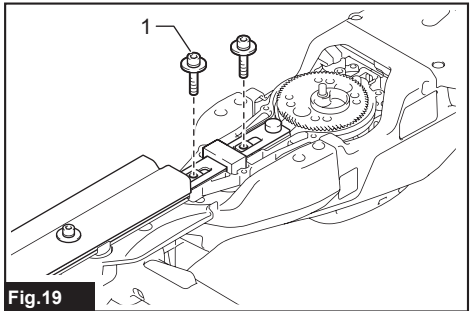


Fig. 19

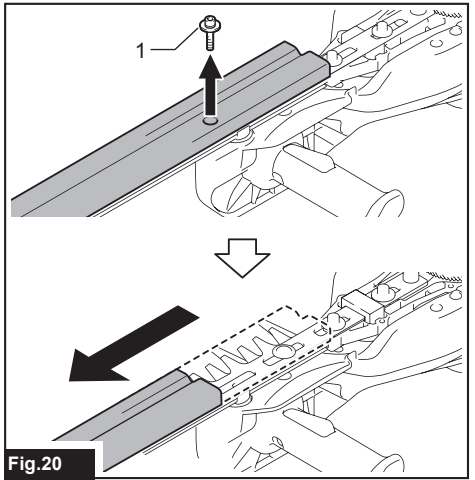


Fig. 20

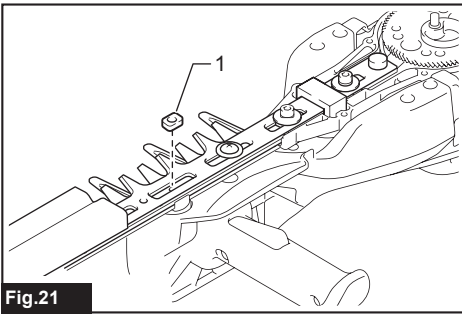


Fig.21

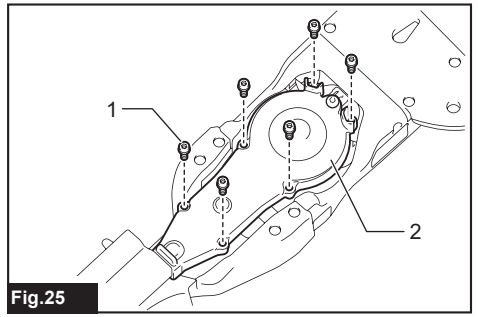


Fig.25

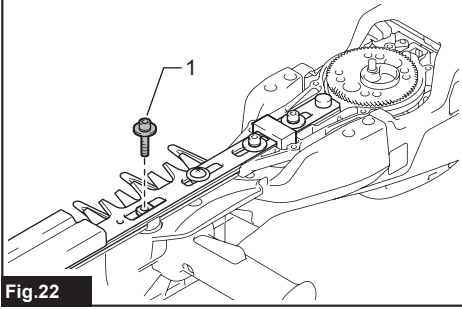


Fig.22

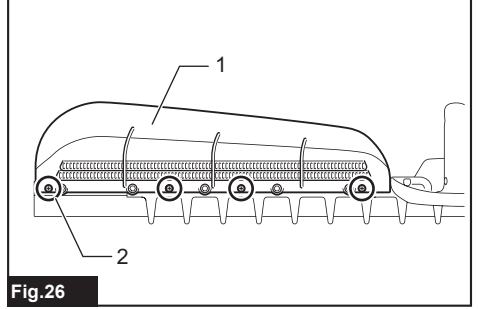


Fig.26

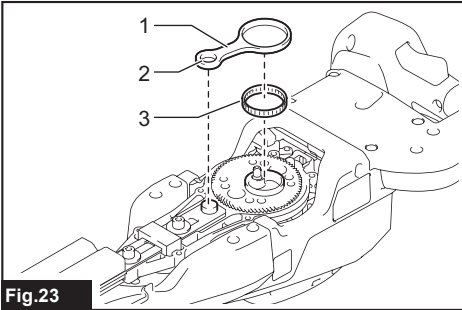


Fig.23

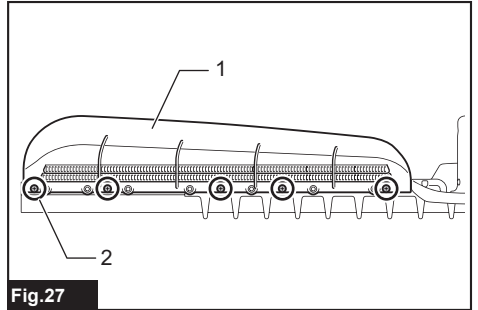


Fig.27

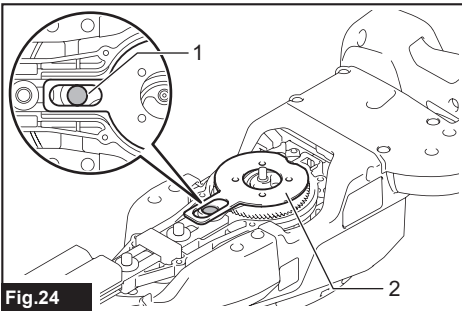


Fig.24

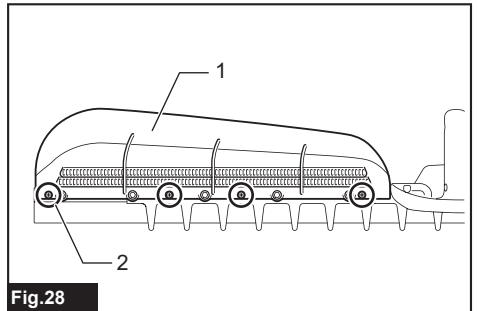


Fig.28

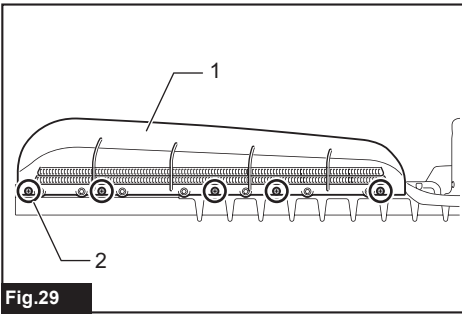


Fig.29

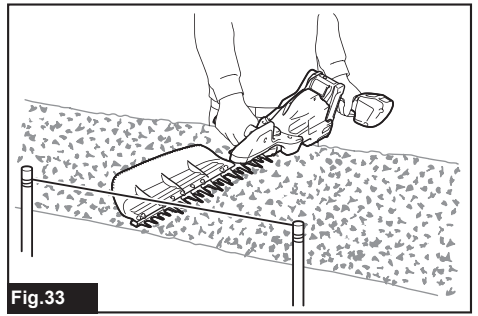


Fig.33

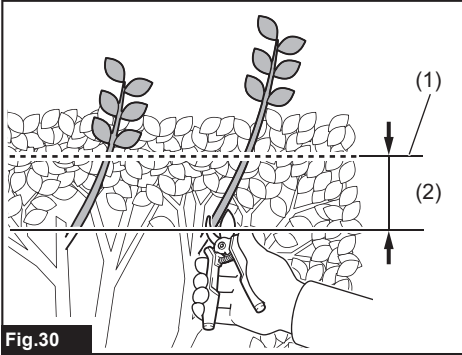


Fig.30



Fig.34

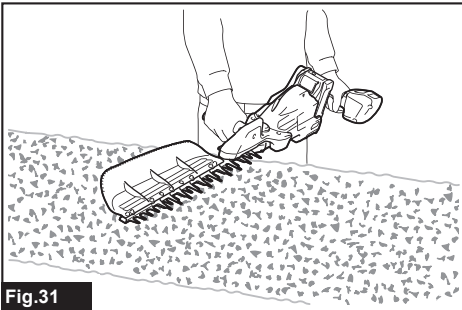


Fig.31

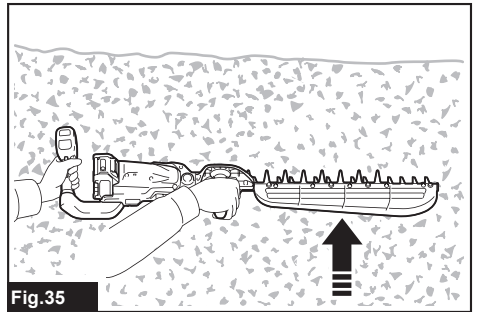


Fig.35

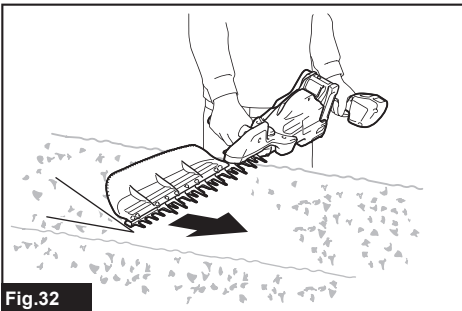


Fig.32

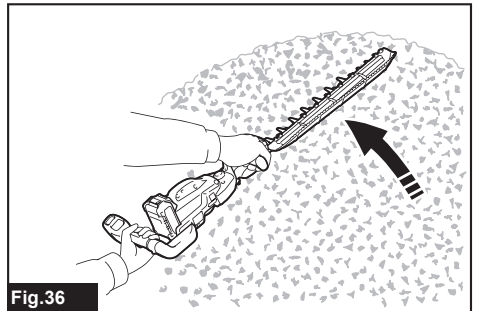


Fig.36

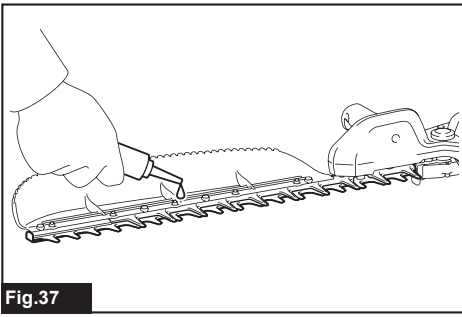


Fig.37

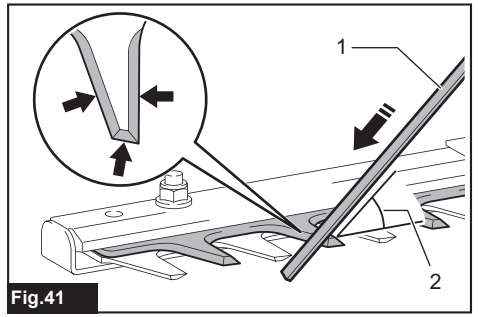


Fig.41

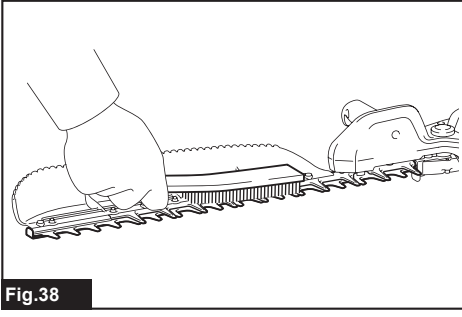


Fig.38

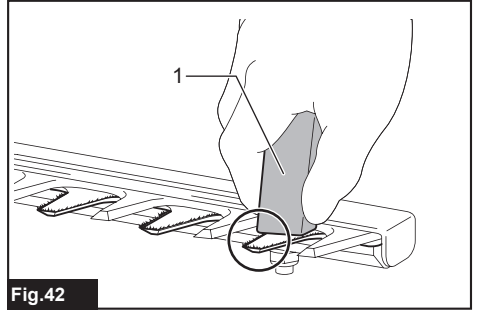


Fig.42

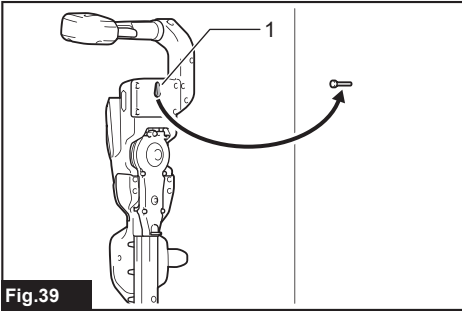


Fig.39

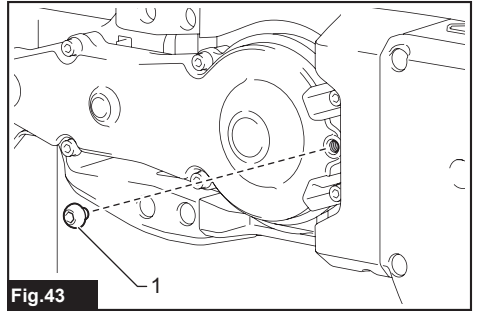


Fig.43

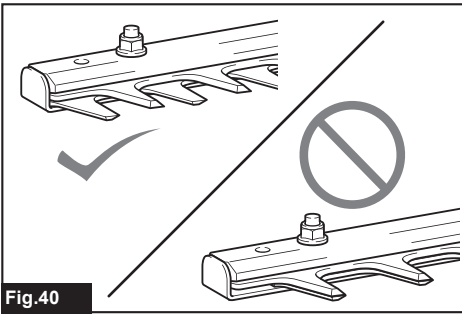


Fig.40

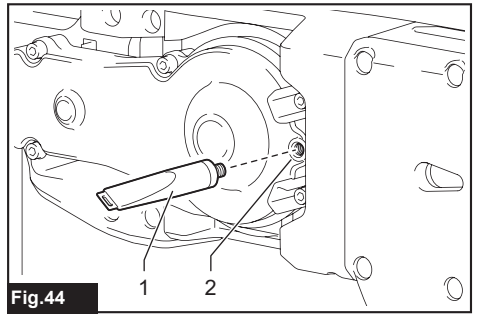


Fig.44

# SPECIFICATIONS

Model:	UH013G	UH014G
Blade length	600 mm	750 mm
Strokes per minute	2,000 / 3,600 / 5,000 min <sup>-1</sup>	
Overall length	1,085 mm	1,225 mm
Rated voltage	D.C. 36 V - 40 V max	
Net weight	3.9 - 4.5 kg	4.0 - 4.7 kg
Protection degree	IPX4	

- Due to our continuing program of research and development, the specifications herein are subject to change without notice.
- Specifications may differ from country to country.
- The weight may differ depending on the attachment(s), including the battery cartridge. The lightest and heaviest combination, according to EPTA-Procedure 01/2014, are shown in the table.

## Applicable battery cartridge and charger

Battery cartridge	BL4020* / BL4025* / BL4040* / BL4050F * : Recommended battery
Charger	DC40RA / DC40RB / DC40RC

- Some of the battery cartridges and chargers listed above may not be available depending on your region of residence.

**⚠ WARNING:** Only use the battery cartridges and chargers listed above. Use of any other battery cartridges and chargers may cause injury and/or fire.





## Recommended cord connected power source

Portable power pack	PDC01 / PDC1200
---------------------	-----------------

- The cord connected power source(s) listed above may not be available depending on your region of residence.
- Before using the cord connected power source, read instruction and cautionary markings on them.

## Symbols

The followings show the symbols which may be used for the equipment. Be sure that you understand their meaning before use.

	Read instruction manual.
	DANGER - Keep hands away from blade.
	Wear safety glasses.
	



Only for EU countries  
 Due to the presence of hazardous components in the equipment, waste electrical and electronic equipment, accumulators and batteries may have a negative impact on the environment and human health. Do not dispose of electrical and electronic appliances or batteries with household waste!  
 In accordance with the European Directive on waste electrical and electronic equipment and on accumulators and batteries and waste accumulators and batteries, as well as their adaptation to national law, waste electrical equipment, batteries and accumulators should be stored separately and delivered to a separate collection point for municipal waste, operating in accordance with the regulations on environmental protection.  
 This is indicated by the symbol of the crossed-out wheeled bin placed on the equipment.

## Intended use

The tool is intended for trimming hedges.



## Noise

Applicable standard : EN62841-4-2

Model	Sound pressure level		Sound power level	
	L <sub>pA</sub> (dB(A))	Uncertainty K (dB(A))	L <sub>WA</sub> (dB(A))	Uncertainty K (dB(A))
UH013G	80	3	91	3
UH014G	81	3	92	3

**NOTE:** The declared noise emission value(s) has been measured in accordance with a standard test method and may be used for comparing one tool with another.

**NOTE:** The declared noise emission value(s) may also be used in a preliminary assessment of exposure.

**⚠ WARNING:** Wear ear protection.

**⚠ WARNING:** The noise emission during actual use of the power tool can differ from the declared value(s) depending on the ways in which the tool is used especially what kind of workpiece is processed.

**⚠ WARNING:** Be sure to identify safety measures to protect the operator that are based on an estimation of exposure in the actual conditions of use (taking account of all parts of the operating cycle such as the times when the tool is switched off and when it is running idle in addition to the trigger time).

## Vibration

The vibration total value (tri-axial vector sum) determined according to EN62841-4-2:

Model	Front handle		Rear handle	
	ah (m/s <sup>2</sup> )	Uncertainty K (m/s <sup>2</sup> )	ah (m/s <sup>2</sup> )	Uncertainty K (m/s <sup>2</sup> )
UH013G	2.5	1.5	2.5 m/s <sup>2</sup> or less	1.5
UH014G	3.2	1.5	2.5 m/s <sup>2</sup> or less	1.5

**NOTE:** The declared vibration total value(s) has been measured in accordance with a standard test method and may be used for comparing one tool with another.

**NOTE:** The declared vibration total value(s) may also be used in a preliminary assessment of exposure.

**⚠ WARNING:** The vibration emission during actual use of the power tool can differ from the declared value(s) depending on the ways in which the tool is used especially what kind of workpiece is processed.

**⚠ WARNING:** Be sure to identify safety measures to protect the operator that are based on an estimation of exposure in the actual conditions of use (taking account of all parts of the operating cycle such as the times when the tool is switched off and when it is running idle in addition to the trigger time).

## EC Declaration of Conformity

*For European countries only*

The EC declaration of conformity is included as Annex A to this instruction manual.

## SAFETY WARNINGS

### General power tool safety warnings

**⚠ WARNING:** Read all safety warnings, instructions, illustrations and specifications provided with this power tool. Failure to follow all instructions listed below may result in electric shock, fire and/or serious injury.

## Save all warnings and instructions for future reference.

The term "power tool" in the warnings refers to your mains-operated (corded) power tool or battery-operated (cordless) power tool.

### Cordless Hedge Trimmer Safety Warnings

1. **Keep all parts of the body away from the blade. Do not remove cut material or hold material to be cut when blades are moving.** Blades continue to move after the switch is turned off. A moment of inattention while operating the hedge trimmer may result in serious personal injury.
2. **Carry the hedge trimmer by the handle with the blade stopped and taking care not to operate any power switch.** Proper carrying of the hedge trimmer will decrease the risk of inadvertent starting and resultant personal injury from the blades.

3. **When transporting or storing the hedge trimmer, always fit the blade cover.** Proper handling of the hedge trimmer will decrease the risk of personal injury from the blades.
4. **When clearing jammed material or servicing the unit, make sure all power switches are off and the battery pack is removed or disconnected.** Unexpected actuation of the hedge trimmer while clearing jammed material or servicing may result in serious personal injury.
5. **Hold the hedge trimmer by insulated gripping surfaces only, because the blade may contact hidden wiring.** Blades contacting a "live" wire may make exposed metal parts of the hedge trimmer "live" and could give the operator an electric shock.
6. **Keep all power cords and cables away from cutting area.** Power cords or cables may be hidden in hedges or bushes and can be accidentally cut by the blade.
7. **Do not use the hedge trimmer in bad weather conditions, especially when there is a risk of lightning.** This decreases the risk of being struck by lightning.
7. **Before checking the shear blades, taking care of faults, or removing material caught in the shear blades, always switch off the tool and remove the battery cartridge.**
8. **Never point the shear blades to yourself or others.**
9. **If the blades stop moving due to the stuck of foreign objects between the blades during operation, switch off the tool and remove the battery cartridge, and then remove the foreign objects using tools such as pliers.** Removing the foreign objects by hand may cause an injury for the reason that the blades may move in reaction to removing the foreign objects.
10. **When you use the tool on muddy ground, wet slope, or slippery place, pay attention to your footing.**
11. **Do not submerge the tool into a puddle.**
12. **Do not leave the tool unattended outdoors in the rain.**

## Additional Safety Instructions

### Preparation

1. **Check the hedges and bushes for foreign objects, such as wire fences or hidden wiring before operating the tool.**
2. **The tool must not be used by children or young persons under 18 years of age.** Young persons over 16 years of age may be exempted from this restriction if they are undergoing training under the supervision of an expert.
3. **First-time users should have an experienced user show them how to use the tool.**
4. **Use the tool only if you are in good physical condition.** If you are tired, your attention will be reduced. Be especially careful at the end of a working day. Perform all work calmly and carefully. The user is responsible for all damages to third parties.
5. **Never use the tool when under the influence of alcohol, drugs or medication.**
6. **Work gloves of stout leather are part of the basic equipment of the tool and must always be worn when working with it. Also wear sturdy shoes with anti-skid soles.**
7. **Before starting work check to make sure that the tool is in good and safe working order. Ensure guards are fitted properly. The tool must not be used unless fully assembled.**

### Operation

1. **Hold the tool firmly with both hands when using the tool.**
2. **The tool is intended to be used by the operator at ground level. Do not use the tool on ladders or any other unstable support.**
3. **DANGER - Keep hands away from blade.** Contact with blade will result in serious personal injury.
4. **Make sure you have a secure footing before starting operation.**
5. **Do not operate the tool at no-load unnecessarily.**
6. **Immediately switch off the tool and remove the battery cartridge if the shear blades should come into contact with a fence or other hard object. Check the blades for damage, and if damaged, replace the blades immediately.**

### Electrical and battery safety

1. **Avoid dangerous environment. Don't use the tool in dump or wet locations or expose it to rain.** Water entering the tool will increase the risk of electric shock.
2. **Do not dispose of the battery(ies) in a fire.** The cell may explode. Check with local codes for possible special disposal instructions.
3. **Do not open or mutilate the battery(ies).** Released electrolyte is corrosive and may cause damage to the eyes or skin. It may be toxic if swallowed.
4. **Do not charge battery in rain, or in wet locations.**
5. **Do not charge the battery outdoors.**
6. **Do not handle charger, including charger plug, and charger terminals with wet hands.**
7. **Do not replace the battery with wet hands.**
8. **Do not replace the battery in the rain.**
9. **Do not wet the terminal of battery with liquid such as water, or submerge the battery. Do not leave the battery in the rain, nor charge, use, or store the battery in a damp or wet place.** If the terminal gets wet or liquid enters inside of battery, the battery may be short circuited and there is a risk of overheat, fire, or explosion.
10. **After removing the battery from the tool or charger, be sure to attach the battery cover to the battery and store it in a dry place.**
11. **If the battery cartridge gets wet, drain the water inside and then wipe it with a dry cloth. Dry the battery cartridge completely in a dry place before use.**

### Maintenance and storage

1. **Switch off the tool and remove the battery cartridge before doing any maintenance work.**
2. **When moving the tool to another location, including during work, always remove the battery cartridge and put the blade cover on the shear blades. Never carry or transport the tool with the blades running. Never grasp the blades with your hands.**
3. **Clean the tool and especially the shear blades after use, and before putting the tool into storage for extended periods. Lightly oil the blades and put on the blade cover.**
4. **Store the tool with the blade cover on, in a dry room. Keep it out of reach of children. Never store the tool outdoors.**

5. Do not dispose of the battery(ies) in a fire. The cell may explode. Check with local codes for possible special disposal instructions.
6. Do not open or mutilate the battery(ies). Released electrolyte is corrosive and may cause damage to the eyes or skin. It may be toxic if swallowed.
7. Do not charge battery in rain, or in wet locations.
8. When storing the tool, avoid direct sunlight and rain, and store it in a place where it does not get hot or humid.
10. The contained lithium-ion batteries are subject to the Dangerous Goods Legislation requirements.  
For commercial transports e.g. by third parties, forwarding agents, special requirement on packaging and labeling must be observed.  
For preparation of the item being shipped, consulting an expert for hazardous material is required. Please also observe possibly more detailed national regulations.  
Tape or mask off open contacts and pack up the battery in such a manner that it cannot move around in the packaging.

## SAVE THESE INSTRUCTIONS.

**⚠WARNING:** DO NOT let comfort or familiarity with product (gained from repeated use) replace strict adherence to safety rules for the subject product. MISUSE or failure to follow the safety rules stated in this instruction manual may cause serious personal injury.

### Important safety instructions for battery cartridge

1. Before using battery cartridge, read all instructions and cautionary markings on (1) battery charger, (2) battery, and (3) product using battery.
2. Do not disassemble or tamper the battery cartridge. It may result in a fire, excessive heat, or explosion.
3. If operating time has become excessively shorter, stop operating immediately. It may result in a risk of overheating, possible burns and even an explosion.
4. If electrolyte gets into your eyes, rinse them out with clear water and seek medical attention right away. It may result in loss of your eyesight.
5. Do not short the battery cartridge:
  - (1) Do not touch the terminals with any conductive material.
  - (2) Avoid storing battery cartridge in a container with other metal objects such as nails, coins, etc.
  - (3) Do not expose battery cartridge to water or rain.

A battery short can cause a large current flow, overheating, possible burns and even a breakdown.

6. Do not store and use the tool and battery cartridge in locations where the temperature may reach or exceed 50 °C (122 °F).
7. Do not incinerate the battery cartridge even if it is severely damaged or is completely worn out. The battery cartridge can explode in a fire.
8. Do not nail, cut, crush, throw, drop the battery cartridge, or hit against a hard object to the battery cartridge. Such conduct may result in a fire, excessive heat, or explosion.
9. Do not use a damaged battery.

11. When disposing the battery cartridge, remove it from the tool and dispose of it in a safe place. Follow your local regulations relating to disposal of battery.
12. Use the batteries only with the products specified by Makita. Installing the batteries to non-compliant products may result in a fire, excessive heat, explosion, or leak of electrolyte.
13. If the tool is not used for a long period of time, the battery must be removed from the tool.
14. During and after use, the battery cartridge may take on heat which can cause burns or low temperature burns. Pay attention to the handling of hot battery cartridges.
15. Do not touch the terminal of the tool immediately after use as it may get hot enough to cause burns.
16. Do not allow chips, dust, or soil stuck into the terminals, holes, and grooves of the battery cartridge. It may cause heating, catching fire, burst and malfunction of the tool or battery cartridge, resulting in burns or personal injury.
17. Unless the tool supports the use near high-voltage electrical power lines, do not use the battery cartridge near a high-voltage electrical power lines. It may result in a malfunction or breakdown of the tool or battery cartridge.
18. Keep the battery away from children.

## SAVE THESE INSTRUCTIONS.

**⚠CAUTION:** Only use genuine Makita batteries. Use of non-genuine Makita batteries, or batteries that have been altered, may result in the battery bursting causing fires, personal injury and damage. It will also void the Makita warranty for the Makita tool and charger.

## Tips for maintaining maximum battery life

1. Charge the battery cartridge before completely discharged. Always stop tool operation and charge the battery cartridge when you notice less tool power.
2. Never recharge a fully charged battery cartridge. Overcharging shortens the battery service life.
3. Charge the battery cartridge with room temperature at 10 °C - 40 °C (50 °F - 104 °F). Let a hot battery cartridge cool down before charging it.
4. When not using the battery cartridge, remove it from the tool or the charger.
5. Charge the battery cartridge if you do not use it for a long period (more than six months).

# FUNCTIONAL DESCRIPTION

**CAUTION:** Always be sure that the tool is switched off and the battery cartridge is removed before adjusting or checking function on the tool.

## Installing or removing battery cartridge

**CAUTION:** Always switch off the tool before installing or removing of the battery cartridge.

**CAUTION:** Hold the tool and the battery cartridge firmly when installing or removing battery cartridge. Failure to hold the tool and the battery cartridge firmly may cause them to slip off your hands and result in damage to the tool and battery cartridge and a personal injury.

► **Fig.1:** 1. Red indicator 2. Button 3. Battery cartridge

To remove the battery cartridge, slide it from the tool while sliding the button on the front of the cartridge.

To install the battery cartridge, align the tongue on the battery cartridge with the groove in the housing and slip it into place. Insert it all the way until it locks in place with a little click. If you can see the red indicator as shown in the figure, it is not locked completely.

**CAUTION:** Always install the battery cartridge fully until the red indicator cannot be seen. If not, it may accidentally fall out of the tool, causing injury to you or someone around you.

**CAUTION:** Do not install the battery cartridge forcibly. If the cartridge does not slide in easily, it is not being inserted correctly.

## Indicating the remaining battery capacity

Press the check button on the battery cartridge to indicate the remaining battery capacity. The indicator lamps light up for a few seconds.

► **Fig.2:** 1. Indicator lamps 2. Check button

Indicator lamps			Remaining capacity
Lighted	Off	Blinking	
■	□	▧	75% to 100%
■ ■ ■ ■			
■ ■ ■	□		50% to 75%
■ ■	□ □		25% to 50%
■	□ □ □		0% to 25%
▧	□ □ □ □		Charge the battery.
■ ■ □ □	□ □	■ ■	The battery may have malfunctioned.
	□ □	■ ■	

**NOTE:** Depending on the conditions of use and the ambient temperature, the indication may differ slightly from the actual capacity.

**NOTE:** The first (far left) indicator lamp will blink when the battery protection system works.

## Tool / battery protection system

The tool is equipped with a tool/battery protection system. This system automatically cuts off power to the motor to extend tool and battery life. The tool will automatically stop during operation if the tool is placed under one of the following conditions:

► **Fig.3:** 1. Caution lamp

Caution lamp		Status
Color	● On / ● Blinking	
Green	●	Overload
Red	● (tool) / ● (battery)	Overheat
Red	●	Over discharge

**NOTICE:** Depending on the usage conditions, the tool automatically stops without any indication if the branches or debris are entangled in the tool. In this case, switch off the tool and remove the battery cartridge, and then remove entangled branches or debris using tools such as pliers. After removing the branches or debris, install the battery cartridge and turn on the tool again.

## Overload protection

If the tool or battery is overloaded by entangled branches or other debris, the tool automatically stops and the caution lamp starts blinking in green.

In this situation, turn the tool off and stop the application that caused the tool to become overloaded. Then turn the tool on to restart.

## Overheat protection for tool or battery

If the tool or battery cartridge is overheated, the tool stops automatically. When the tool is overheated, the caution lamp lights up in red. When the battery cartridge is overheated, the caution lamp blinks in red. Let the tool and/or battery cool down before turning the tool on again.

## Overdischarge protection

When the battery capacity becomes low, the tool stops automatically and the caution lamp starts blinking in red. If the tool does not operate even when the switches are operated, remove the battery cartridge from the tool and charge it.

## Protections against other causes

Protection system is also designed for other causes that could damage the tool and allows the tool to stop automatically. Take all the following steps to clear the causes, when the tool has been brought to a temporary halt or stop in operation.

1. Turn the tool off, and then turn it on again to restart.
2. Charge the battery(ies) or replace it/them with recharged battery(ies).
3. Let the machine and battery(ies) cool down.

If no improvement can be found by restoring protection system, then contact your local Makita Service Center.

## Power switch action

**⚠ WARNING:** For your safety, this tool is equipped with lever which prevents the tool from unintended starting. NEVER use the tool if it runs when you simply pull the switch triggers without pressing the lever. Return the tool to our authorized service center for proper repairs BEFORE further usage.

**⚠ WARNING:** NEVER tape down or defeat purpose and function of the lever.

**⚠ WARNING:** Before installing the battery cartridge on the tool, always check to see that the switch triggers and lever actuate properly and return to the "OFF" position when released. Operating a tool with a switch that does not actuate properly can lead to loss of control and serious personal injury.

**⚠ CAUTION:** Never put your finger on the switch triggers when carrying. The tool may start unintentionally and cause injury.

**NOTICE:** Do not pull the switch trigger hard without pressing the lever. This can cause switch breakage.

Press the main power button to turn on the tool. To turn off the tool, press and hold the main power button until the speed indicators go off.

► **Fig.4:** 1. Main power button

**NOTE:** The caution lamp blinks if the switch trigger is pulled under unoperable conditions. The caution lamp blinks if you turn on the main power switch while holding down the lever and the switch trigger.

**NOTE:** This tool employs the auto power-off function. To avoid unintentional start up, the main power switch will automatically shut down when the switch trigger is not pulled for a certain period after the main power switch is turned on.










To prevent the switch trigger from being accidentally pulled, the lever is provided. To start the tool, pull the front switch trigger, and then pull the rear switch trigger while pressing the lever. When you release either of the switch triggers, the tool stops.

► **Fig.5:** 1. Lever 2. Rear switch trigger 3. Front switch trigger

## Speed adjusting

You can adjust the tool speed by pressing the main power button. Each time you press the main power button, the level of speed changes.

► **Fig.6:** 1. Speed indicator 2. Main power button

Speed indicator	Mode	Stroke speed
3  2  1 	High	5,000 min <sup>-1</sup>
3  2  1 	Medium	3,600 min <sup>-1</sup>
3  2  1 	Low	2,000 min <sup>-1</sup>

## Reverse button for debris removal

**⚠ WARNING:** If the entangled branches or debris cannot be removed by the reverse function, switch off the tool and remove the battery cartridge, and then remove the entangled branches or debris using tools such as pliers. Failure to switch off the tool and remove the battery cartridge may result in serious personal injury from accidental start-up. Removing the entangled branches or debris by hand may cause an injury, since the shear blades may move in reaction to removing them.

This tool has a reverse button to change the direction of shear blades movement. It is only for removing branches and debris entangled in the tool.

To reverse the shear blades movement, press the reverse button when the shear blades have stopped, then pull the front switch trigger, and then pull the rear switch trigger while pressing the lever. The speed indicators start blinking, and the shear blades move in reverse direction.

When entangled branches and debris are removed, the tool returns to the regular movement and the speed indicators stop blinking and light up.

► **Fig.7:** 1. Speed indicator 2. Reverse button

**NOTE:** If the entangled branches or debris cannot be removed, release the switch triggers, then press the reverse button, and then pull the switch triggers until they are removed.

**NOTE:** If you tap the reverse button while the shear blades are still moving, the tool comes to stop and to be ready for reverse movement.

## Electronic function

The tool is equipped with the electronic functions for easy operation.

- **Constant speed control**  
The speed control function provides the constant rotation speed regardless of load conditions.
- **Electric brake**  
This tool is equipped with an electric brake. If the tool consistently fails to quickly stop the shear blades after releasing the switch trigger, have the tool serviced at Makita Authorized Service Center.
- **Accidental re-start preventive function**  
Even if you install the battery cartridge while pulling the switch trigger, the tool does not start. To start the tool, first release the switch trigger, and then pull the switch trigger.

## ASSEMBLY

**⚠ CAUTION:** Always be sure that the tool is switched off and the battery cartridge is removed before carrying out any work on the tool.

**⚠ CAUTION:** When replacing the shear blades, always wear gloves so that your hands do not directly contact the blades.

**NOTICE:** When replacing the shear blades, do not wipe off grease from the gear and crank.

### Installing or removing the shear blades

**⚠ CAUTION:** Attach the blade cover before removing or installing the shear blades.

You can install 600 mm or 750 mm shear blades to your tool.

**NOTE:** If you change the shear blades to a different length, replace the chip receiver with one which fits the blades.

1. Remove four screws (for UH013G) or five screws (for UH014G), and then remove the chip receiver from the tool.

#### For UH013G

- ▶ **Fig.8:** 1. Chip receiver 2. Screw

#### For UH014G

- ▶ **Fig.9:** 1. Chip receiver 2. Screw

2. Place the tool upside down, and then remove six bolts.

- ▶ **Fig.10:** 1. Bolt

3. Remove the cover and the plate.

- ▶ **Fig.11:** 1. Cover 2. Plate

**NOTE:** The plate may remain on the cover.

4. Remove the rod and the bearing.

- ▶ **Fig.12:** 1. Rod 2. Bearing

**NOTE:** The rod or bearing may remain on the cover.

5. Remove three screws, three sleeves and the felt pad, and then remove the shear blades.

- ▶ **Fig.13:** 1. Screw 2. Sleeve 3. Felt pad 4. Shear blades

**NOTICE:** Be careful not to lose the screws.

6. Remove the blade cover, and then attach it to the new shear blades.

- ▶ **Fig.14**

7. Adjust the crank so that two holes are lined up on the alignment line.

- ▶ **Fig.15:** 1. Hole 2. Alignment line

8. Align the protrusions on the shear blades vertically at the same position.

- ▶ **Fig.16:** 1. Protrusion

9. Insert the screw removed in step 5 into the holes on the blade cover and the shear blades to temporarily fix the shear blades, and then attach the felt pad to the shear blades.

- ▶ **Fig.17:** 1. Screw 2. Felt pad 3. Hole

10. Insert the protrusion on the shear blades to the hole on the rod, then align the position of the felt pad with the holes on the tool. Attach two new sleeves.

- ▶ **Fig.18:** 1. Felt pad 2. Protrusion 3. Hole 4. Sleeve

**NOTICE:** Apply a small amount of grease to the inner periphery of the hole of the rod.

**NOTICE:** Be careful not to lose the sleeves.

11. Align the holes on the sleeves and shear blades with the holes on the tool, and then tighten two screws to temporarily fix the shear blades.

- ▶ **Fig.19:** 1. Screw

12. Remove the screw inserted into the hole on the shear blades in step 9, and then slide the blade cover.

- ▶ **Fig.20:** 1. Screw

13. Attach a new sleeve.

- ▶ **Fig.21:** 1. Sleeve

14. Tighten the screw together with the sleeve to fix the shear blades.

- ▶ **Fig.22:** 1. Screw

15. Firmly tighten the screws which were temporarily fixed in step 11.

16. Attach the bearing and the rod.

- ▶ **Fig.23:** 1. Rod 2. Small hole 3. Bearing

**NOTICE:** Apply a small amount of grease to the inner periphery of the small hole of the rod.

**NOTICE:** Make sure that the protrusion on the shear blades fits in the small hole on the rod.

17. Attach the plate.

- ▶ **Fig.24:** 1. Protrusion 2. Plate

**NOTICE:** Make sure that the protrusion on the shear blades fits in the hole on the plate.

18. Attach the cover, and then tighten six bolts.

- ▶ **Fig.25:** 1. Bolt 2. Cover

19. Attach the chip receiver to the tool by tightening four screws (for UH013G) or five screws (for UH014G).

For UH013G

► Fig.26: 1. Chip receiver 2. Screw

For UH014G

► Fig.27: 1. Chip receiver 2. Screw

**NOTICE:** If the shear blades do not move smoothly, the shear blades are not engaged with the rods properly. Install the shear blades again.

**NOTICE:** If the parts other than the shear blades such as the rods are worn out, ask Makita Authorized Service Centers for parts replacement or repairs.

## Removing or installing the chip receiver

**CAUTION:** When installing or removing the chip receiver, always wear gloves so that your hands do not directly contact the shear blades.

The chip receiver gathers discarded leaves and makes clean-up afterward much easier.

To remove the chip receiver, remove four screws (for UH013G) or five screws (for UH014G), and then remove the chip receiver from the tool. To install the chip receiver, follow the removal procedure in reverse.

For UH013G

► Fig.28: 1. Chip receiver 2. Screw

For UH014G

► Fig.29: 1. Chip receiver 2. Screw

## OPERATION

**WARNING:** Keep hands away from shear blades.

**CAUTION:** Avoid operating the tool in very hot weather as much as practicable. When operating the tool, be careful of your physical condition.

**CAUTION:** Be careful not to accidentally contact a metal fence or other hard objects while trimming. The shear blades may break and cause an injury.

**CAUTION:** Be careful not to allow the shear blades to contact the ground. The tool may recoil and cause an injury.

**CAUTION:** Overreaching with a hedge trimmer, particularly from a ladder, is extremely dangerous. Do not work while standing on anything wobbly or infirm.

**NOTICE:** Do not attempt to cut branches thicker than 10 mm in diameter with the tool. Cut branches to 10 cm lower than the cutting height using branch cutters before using the tool.

► Fig.30: (1) Cutting height (2) 10 cm

**NOTICE:** Do not cut down dead trees or similar hard objects. Doing so may damage the tool.

**NOTICE:** Do not trim the grass or weeds while using the shear blades. The shear blades may become tangled in the grass or weeds.

Hold the front grip with your right hand and the rear grip with your left hand. Pull the front switch trigger, then pull the rear switch trigger while pressing the lever, and then move the tool forward.

► Fig.31

For basic operation, tilt the shear blades toward the trimming direction and move it calmly and slowly at the speed rate of 3 to 4 seconds per meter.

► Fig.32

To cut a hedge top evenly, tie a string at the desired height and trim along it.

► Fig.33

The chip receiver gathers discarded leaves and makes clean-up afterward much easier.

► Fig.34

To cut a hedge side evenly, cut from the bottom to top.

► Fig.35

When trimming to make a round shape (trimming box-wood or rhododendron, etc.), trim from the root to the top for a beautiful finish.

► Fig.36

## MAINTENANCE

**CAUTION:** Always be sure that the tool is switched off and the battery cartridge is removed before attempting to perform inspection or maintenance.

To maintain product SAFETY and RELIABILITY, repairs, any other maintenance or adjustment should be performed by Makita Authorized or Factory Service Centers, always using Makita replacement parts.

### Cleaning the tool

Clean the tool by wiping off dust with a dry cloth or one dipped in soapy water and wrung out.

**NOTICE:** Never use gasoline, benzine, thinner, alcohol or the like. Discoloration, deformation or cracks may result.

## Shear blade maintenance

Before the operation or once per hour during operation, apply low-viscosity oil (machine oil, or spray-type lubricating oil) to the shear blades.

► Fig.37

After operation, remove dust from the shear blades with a wired brush, wipe it off with a cloth and then apply low-viscosity oil (machine oil, or spray-type lubricating oil) to the shear blades.

► Fig.38

**NOTICE: Do not wash the shear blades in water.**  
Doing so may cause rust or damage to the tool.

**NOTICE: Dirt and corrosion cause excessive blade friction and shorten the operating time per battery charge.**

## Storage

The hook hole in the tool bottom is convenient for hanging the tool from a nail or screw on the wall.

Remove the battery cartridge from the tool, and then attach the blade cover to the shear blades so that the blades are not exposed. Store the tool out of the reach of children. Store the tool in a place not exposed to moisture or rain.

► Fig.39: 1. Hole

## Grinding the shear blades

**NOTICE: If the shear blades have considerably deformed by grinding, replace the shear blades with new ones.**

1. Install the battery cartridge to the tool.  
2. Turn on and start the tool so that the upper blade and lower blade are positioned alternately.

► Fig.40

3. Turn off the tool and remove the battery cartridge from the tool.

4. Set the angle of a file to 45°, and grind the upper blade from 3 directions with the file.

► Fig.41: (1) File (2) 45°

**CAUTION: Before grinding the shear blades, make sure that the tool is switched off and the battery cartridge is removed from the tool.**

5. Place the tool upside down, and then remove the burrs from the shear blades with the dressing stone.

► Fig.42: 1. Dressing stone

6. Set the angle of the file to 45°, and grind the lower blade from 3 directions with the file.

7. Return the tool to normal position, and then remove the burrs from the shear blades with the dressing stone.

## Grease lubrication

**Interval of lubrication:** Every 50 operating hours

1. Remove the bolt from the hole for lubrication.

► Fig.43: 1. Bolt

2. Remove the cap from the grease vessel. Align the outlet of the grease vessel with the hole on the cover, and then press the outlet of the grease vessel onto the hole.

► Fig.44: 1. Grease vessel 2. Hole

3. Apply the grease to the tool (Approximately 5 g as a guide).

4. Tighten the bolt.



# TROUBLESHOOTING

Before asking for repairs, conduct your own inspection first. If you find a problem that is not explained in the manual, do not attempt to dismantle the tool. Instead, ask Makita Authorized Service Centers, always using Makita replacement parts for repairs.

State of abnormality	Probable cause (malfunction)	Remedy
Motor does not run.	Battery cartridge is not installed.	Install the battery cartridge.
	Battery problem (under voltage)	Recharge the battery. If recharging is not effective, replace battery.
	The drive system does not work correctly.	Ask your local authorized service center for repair.
Motor stops running after a little use.	Battery's charge level is low.	Recharge the battery. If recharging is not effective, replace battery.
	Overheating.	Stop using of tool to allow it to cool down.
Tool does not reach maximum RPM.	Battery is installed improperly.	Install the battery cartridge as described in this manual.
	Battery power is dropping.	Recharge the battery. If recharging is not effective, replace battery.
	The drive system does not work correctly.	Ask your local authorized service center for repair.
Shear blades do not move: ⇒ stop the machine immediately!	Foreign objects are caught between the shear blades.	1. Use the reverse button. 2. Switch off the tool and remove the battery cartridge, and then remove the foreign objects using tools such as pliers.
	The drive system does not work correctly.	Ask your local authorized service center for repair.
Abnormal vibration: ⇒ stop the machine immediately!	Shear blades are broken, bent or worn.	Replace the shear blades.
	The drive system does not work correctly.	Ask your local authorized service center for repair.
Shear blades and motor cannot stop: ⇒ Remove the battery immediately!	Electric malfunction.	Remove the battery and ask your local authorized service center for repair.

## OPTIONAL ACCESSORIES

**⚠ CAUTION:** These accessories or attachments are recommended for use with your Makita tool specified in this manual. The use of any other accessories or attachments might present a risk of injury to persons. Only use accessory or attachment for its stated purpose.

If you need any assistance for more details regarding these accessories, ask your local Makita Service Center.

- Shear blade assembly
- Chip receiver
- Grease vessel
- Makita genuine battery and charger

**NOTE:** Some items in the list may be included in the tool package as standard accessories. They may differ from country to country.

## SPÉCIFICATIONS

Modèle :	UH013G	UH014G
Longueur de la lame	600 mm	750 mm
Nombre de courses par minute	2 000/3 600/5 000 min <sup>-1</sup>	
Longueur totale	1 085 mm	1 225 mm
Tension nominale	36 V - 40 V c.c. max.	
Poids net	3,9 - 4,5 kg	4,0 - 4,7 kg
Degré de protection	IPX4	

- Étant donné l'évolution constante de notre programme de recherche et de développement, les spécifications contenues dans ce manuel sont sujettes à modification sans préavis.
- Les spécifications peuvent varier suivant les pays.
- Le poids peut être différent selon les accessoires, notamment la batterie. Les associations la plus légère et la plus lourde, conformément à la procédure EPTA 01/2014, sont indiquées dans le tableau.

### Batterie et chargeur applicables

Batterie	BL4020* / BL4025* / BL4040* / BL4050F * : Batterie recommandée
Chargeur	DC40RA / DC40RB / DC40RC

- Certains chargeurs et batteries répertoriés ci-dessus peuvent ne pas être disponibles selon la région où vous résidez.

**⚠ AVERTISSEMENT : N'utilisez que les batteries et les chargeurs répertoriés ci-dessus.** L'utilisation d'autres batteries et chargeurs peut provoquer des blessures et/ou un incendie.




### Source d'alimentation connectée par cordon recommandée

Support d'alimentation portable	PDC01 / PDC1200
---------------------------------	-----------------

- La ou les sources d'alimentation connectées par cordon répertoriées ci-dessus peuvent ne pas être disponibles selon la région où vous résidez.
- Avant d'utiliser la source d'alimentation connectée par cordon, lisez les instructions et les avertissements inscrits dessus.

### Symboles

Vous trouverez ci-dessous les symboles susceptibles d'être utilisés pour l'appareil. Veuillez à comprendre leur signification avant toute utilisation.

	Lire le mode d'emploi.
	DANGER - Gardez vos mains à l'écart de la lame.
	Portez des lunettes de sécurité.



Pour les pays de l'Union européenne uniquement  
En raison de la présence de composants dangereux dans l'équipement, les déchets d'équipements électriques et électroniques, les accumulateurs et les batteries peuvent avoir un impact négatif sur l'environnement et la santé humaine.  
Ne jetez pas les appareils électriques et électroniques ou les batteries avec les ordures ménagères !  
Conformément à la directive européenne relative aux déchets d'équipements électriques et électroniques et aux déchets d'accumulateurs et de batteries, ainsi qu'à son adaptation à la législation nationale, les déchets d'équipements électriques, les batteries et les accumulateurs doivent être collectés séparément et déposés dans un point de collecte distinct pour déchets urbains, conformément aux réglementations en matière de protection de l'environnement. Cela est indiqué par le symbole de la poubelle à roulettes barrée sur l'équipement.

### Utilisations

L'outil est conçu pour tailler les haies.

## Bruit

Norme applicable : EN62841-4-2

Modèle	Niveau de pression acoustique		Niveau de puissance sonore	
	L <sub>pA</sub> (dB(A))	Incertitude K (dB(A))	L <sub>WA</sub> (dB(A))	Incertitude K (dB(A))
UH013G	80	3	91	3
UH014G	81	3	92	3

**NOTE** : La ou les valeurs d'émission de bruit déclarées ont été mesurées conformément à la méthode de test standard et peuvent être utilisées pour comparer les outils entre eux.

**NOTE** : La ou les valeurs d'émission de bruit déclarées peuvent aussi être utilisées pour l'évaluation préliminaire de l'exposition.

**⚠ AVERTISSEMENT** : Portez un serre-tête antibruit.

**⚠ AVERTISSEMENT** : L'émission de bruit lors de l'usage réel de l'outil électrique peut être différente de la ou des valeurs déclarées, suivant la façon dont l'outil est utilisé, particulièrement selon le type de pièce usinée.

**⚠ AVERTISSEMENT** : Les mesures de sécurité à prendre pour protéger l'utilisateur doivent être basées sur une estimation de l'exposition dans des conditions réelles d'utilisation (en tenant compte de toutes les composantes du cycle d'utilisation, comme par exemple le moment de sa mise hors tension, lorsqu'il tourne à vide et le moment de son déclenchement).

## Vibrations

Valeur totale de vibrations (somme de vecteur triaxial) déterminée selon EN62841-4-2 :

Modèle	Poignée avant		Poignée arrière	
	ah (m/s <sup>2</sup> )	Incertitude K (m/s <sup>2</sup> )	ah (m/s <sup>2</sup> )	Incertitude K (m/s <sup>2</sup> )
UH013G	2,5	1,5	2,5 m/s <sup>2</sup> ou moins	1,5
UH014G	3,2	1,5	2,5 m/s <sup>2</sup> ou moins	1,5

**NOTE** : La ou les valeurs de vibration totales déclarées ont été mesurées conformément à la méthode de test standard et peuvent être utilisées pour comparer les outils entre eux.

**NOTE** : La ou les valeurs de vibration totales déclarées peuvent aussi être utilisées pour l'évaluation préliminaire de l'exposition.

**⚠ AVERTISSEMENT** : L'émission de vibrations lors de l'usage réel de l'outil électrique peut être différente de la ou des valeurs déclarées, suivant la façon dont l'outil est utilisé, particulièrement selon le type de pièce usinée.

**⚠ AVERTISSEMENT** : Les mesures de sécurité à prendre pour protéger l'utilisateur doivent être basées sur une estimation de l'exposition dans des conditions réelles d'utilisation (en tenant compte de toutes les composantes du cycle d'utilisation, comme par exemple le moment de sa mise hors tension, lorsqu'il tourne à vide et le moment de son déclenchement).

## Déclaration de conformité CE

*Pour les pays européens uniquement*

La déclaration de conformité CE est fournie en Annexe A à ce mode d'emploi.

## CONSIGNES DE SÉCURITÉ

### Consignes de sécurité générales pour outils électriques

**⚠ AVERTISSEMENT** : Veuillez lire les consignes de sécurité, instructions, illustrations et spécifications qui accompagnent cet outil électrique. Le non-respect de toutes les instructions indiquées ci-dessous peut entraîner une électrocution, un incendie et/ou de graves blessures.

### Conservez toutes les mises en garde et instructions pour référence ultérieure.

Le terme « outil électrique » dans les avertissements fait référence à l'outil électrique alimenté par le secteur (avec cordon d'alimentation) ou à l'outil électrique fonctionnant sur batterie (sans cordon d'alimentation).

### Consignes de sécurité pour taille-haie sans fil

1. Prenez soin de n'approcher aucune partie du corps de la lame. Ne retirez pas le matériau coupé, ni ne tenez le matériau à couper lorsque les lames sont en mouvement. Les lames continuent de bouger même après que l'interrupteur est en position d'arrêt. Un moment d'inattention en cours d'utilisation du taille-haie peut entraîner des blessures graves.

2. **Transportez le taille-haie par la poignée avec la lame arrêtée et en prenant soin de ne pas actionner l'interrupteur d'alimentation.** En transportant correctement le taille-haie, vous diminuez le risque d'un démarrage intempestif et le risque de blessure présenté par les lames.
3. **Lors du transport ou du rangement du taille-haie, mettez toujours en place le couvre-lame.** Une manipulation correcte du taille-haie réduira le risque de blessure présenté par les lames.
4. **Lorsque vous dégagez un matériau bloqué ou dépannez l'appareil, assurez-vous que tous les interrupteurs d'alimentation sont en position d'arrêt et que la batterie est retirée ou débranchée.** Le déclenchement inopiné du taille-haie pendant que vous dégagez un matériau bloqué ou dépannez l'appareil peut provoquer de graves blessures corporelles.
5. **Tenez le taille-haie uniquement par ses surfaces de prise isolées, car la lame pourrait entrer en contact avec le câblage caché.** Le contact des lames avec un fil sous tension peut transmettre du courant dans les pièces métalliques exposées du taille-haie et électrocuter l'opérateur.
6. **Éloignez les cordons d'alimentation et les câbles de la zone de coupe.** Les cordons d'alimentation ou les câbles peuvent être cachés derrière les haies ou les buissons et peuvent être coupés accidentellement par la lame.
7. **N'utilisez pas le taille-haie par mauvais temps, particulièrement en cas d'orage.** Vous éviterez ainsi d'être frappé par la foudre.
7. **Avant de commencer la tâche, assurez-vous que l'outil est dans un bon état de marche sécuritaire. Assurez-vous que les carters de protection sont correctement installés. L'outil ne doit pas être utilisé tant qu'il n'est pas complètement assemblé.**

#### Fonctionnement

1. **Tenez l'outil fermement avec les deux mains lorsque vous l'utilisez.**
2. **L'outil est conçu pour être utilisé par l'opérateur au niveau du sol. N'utilisez pas l'outil sur une échelle ou tout autre support instable.**
3. **DANGER - Gardez vos mains à l'écart de la lame.** Le contact avec la lame présente un risque de graves blessures corporelles.
4. **Assurez-vous que vous avez une bonne assise avant la mise en marche.**
5. **Ne faites pas tourner l'outil à vide inutilement.**
6. **Éteignez immédiatement l'outil et retirez la batterie si les lames de cisaille entrent en contact avec une clôture ou un autre objet dur. Vérifiez si les lames sont endommagées et remplacez-les sur-le-champ, le cas échéant.**
7. **Avant de vérifier les lames de cisaille, de les dépanner ou de retirer des matériaux pris dedans, éteignez toujours l'outil et retirez la batterie.**
8. **Ne dirigez jamais les lames de cisaille vers vous-même ou quelqu'un d'autre.**
9. **Si les lames cessent de bouger, car des corps étrangers sont collés entre elles pendant le fonctionnement, éteignez l'outil et retirez la batterie, puis ôtez les corps étrangers en utilisant un outil comme une pince.** Ôter les corps étrangers à la main présente un risque de blessure, du fait que les lames peuvent bouger en réaction au retrait des corps étrangers.
10. **Lorsque vous utilisez l'outil sur un sol boueux, une pente trempée ou un endroit glissant, faites attention de ne pas perdre l'équilibre.**
11. **Ne plongez pas l'outil dans une flaqué.**
12. **N laissez pas l'outil sans surveillance à l'extérieur sous la pluie.**

#### Sécurité électrique et sécurité des batteries

1. **Évitez les environnements dangereux. N'utilisez pas l'outil dans un endroit humide, ni ne l'exposez à la pluie.** Le risque d'électrocution augmente si de l'eau pénètre dans l'outil.
2. **Ne jetez pas la ou les batteries au feu.** L'élément de la pile pourrait exploser. Consultez les codes locaux pour de possibles instructions de mise au rebut spéciales.
3. **N'ouvrez ni ne manipulez la ou les batteries.** L'électrolyte qui s'échappe de la batterie est corrosif et peut irriter la peau ou les yeux. Il peut être toxique en cas d'ingestion.
4. **Ne chargez pas la batterie sous la pluie ou dans un endroit mouillé.**
5. **Ne pas charger la batterie à l'extérieur.**
6. **Ne manipulez pas le chargeur, y compris la fiche du chargeur et les bornes du chargeur avec les mains mouillées.**
7. **Ne remplacez pas la batterie avec les mains mouillées.**

## Consignes de sécurité supplémentaires

### Préparatifs

1. **Vérifiez l'absence de corps étrangers comme du fil barbelé ou un câblage caché dans les haies et les buissons avant d'utiliser l'outil.**
2. **L'outil ne doit pas être utilisé par des enfants ou des adolescents de moins de 18 ans.** Cette restriction peut ne pas s'appliquer aux mineurs de plus de 16 ans s'ils sont en cours de formation sous la surveillance d'un expert.
3. **Les utilisateurs novices doivent être formés par un utilisateur expérimenté pour leur montrer comment utiliser l'outil.**
4. **N'utilisez l'outil que si vous êtes en bonne condition physique.** Si vous êtes fatigué, votre attention sera réduite. Redoublez de précaution à la fin d'une journée de travail. Travaillez toujours en faisant preuve de calme et de prudence. L'utilisateur est responsable de tous les dommages causés à des tiers.
5. **N'utilisez jamais l'outil lorsque vous êtes sous l'influence d'alcool, de drogues ou de médicaments.**
6. **Les gants de travail en cuir robuste font partie de l'équipement de base de l'outil et leur port est obligatoire pendant que vous l'utilisez. Portez également des chaussures solides à semelles antidérapantes.**

8. Ne remplacez pas la batterie sous la pluie.
9. Ne mouillez pas la borne de la batterie avec un liquide comme de l'eau, ni ne plongez la batterie dans un liquide. Ne laissez pas la batterie sous la pluie et évitez de charger, utiliser ou ranger la batterie dans un endroit humide ou mouillé. Si la borne est mouillée ou si un liquide pénètre à l'intérieur de la batterie, un court-circuit est possible et risque de provoquer une surchauffe, un incendie ou une explosion.
10. Après avoir retiré la batterie de l'outil ou du chargeur, veillez à fixer le couvercle de batterie sur la batterie et à la ranger dans un endroit sec.
11. Si la batterie est mouillée, videz l'eau à l'intérieur, puis essuyez-la avec un chiffon sec. Séchez complètement la batterie dans un endroit sec avant utilisation.

#### Entretien et rangement

1. Éteignez l'outil et retirez la batterie avant de procéder à l'entretien.
2. Lorsque vous déplacez l'outil dans un autre endroit, y compris pendant le travail, retirez toujours la batterie et placez le couvre-lame sur les lames de cisaille. Ne transportez jamais l'outil avec les lames fonctionnant. Ne saisissez jamais les lames avec les mains.
3. Nettoyez l'outil et particulièrement les lames de cisaille après utilisation et avant de le ranger pendant une période prolongée. Huilez légèrement les lames et mettez le couvre-lame en place.
4. Rangez l'outil avec le couvre-lame en place dans une pièce sèche. Gardez-le hors de portée des enfants. Ne rangez jamais l'outil à l'extérieur.
5. Ne jetez pas la ou les batteries au feu. L'élément de la pile pourrait exploser. Consultez les codes locaux pour de possibles instructions de mise au rebut spéciales.
6. N'ouvrez ni ne manipulez la ou les batteries. L'électrolyte qui s'échappe de la batterie est corrosif et peut irriter la peau ou les yeux. Il peut être toxique en cas d'ingestion.
7. Ne chargez pas la batterie sous la pluie ou dans un endroit mouillé.
8. Lorsque vous rangez l'outil, évitez les endroits exposés aux rayons directs du soleil ou à la pluie, et rangez-le dans un endroit tempéré et sec.

## CONSERVEZ CES INSTRUCTIONS.

**⚠️ AVERTISSEMENT :** NE vous laissez PAS tromper (au fil d'une utilisation répétée) par un sentiment d'aisance et de familiarité avec le produit, en négligeant le respect rigoureux des consignes de sécurité qui accompagnent le produit en question. La MAUVAISE UTILISATION de l'outil ou l'ignorance des consignes de sécurité indiquées dans ce mode d'emploi peut entraîner de graves blessures.

## Consignes de sécurité importantes pour la batterie

1. Avant d'utiliser la batterie, lisez toutes les instructions et précautions relatives (1) au chargeur de batterie, (2) à la batterie, et (3) au produit utilisant la batterie.
2. Ne désassemblez pas et ne modifiez pas la batterie. Cela pourrait entraîner un incendie, une chaleur excessive ou une explosion.
3. Cessez immédiatement l'utilisation si le temps de fonctionnement devient excessivement court. Il y a risque de surchauffe, de brûlures, voire d'explosion.
4. Si l'électrolyte pénètre dans vos yeux, rincez-les à l'eau claire et consultez immédiatement un médecin. Il y a risque de perte de la vue.
5. Ne court-circuitez pas la batterie :
  - (1) Ne touchez les bornes avec aucun matériau conducteur.
  - (2) Évitez de ranger la batterie dans un conteneur avec d'autres objets métalliques, par exemple des clous, des pièces de monnaie, etc.
  - (3) N'exposez pas la batterie à l'eau ou à la pluie.

Un court-circuit de la batterie peut provoquer une intensité de courant élevée, une surchauffe, parfois des brûlures et même une panne.
6. Ne rangez ni n'utilisez l'outil et la batterie dans un endroit où la température risque d'atteindre ou de dépasser 50 °C.
7. Ne jetez pas la batterie au feu même si elle est sérieusement endommagée ou complètement épuisée. La batterie peut exploser au contact du feu.
8. Abstenez-vous de clouer, couper, écraser, jeter, laisser tomber la batterie, ou de la heurter contre un objet dur. Cela pourrait entraîner un incendie, une chaleur excessive ou une explosion.
9. N'utilisez pas la batterie si elle est endommagée.
10. Les batteries au lithium-ion contenues sont soumises aux exigences de la législation sur les marchandises dangereuses.
 

Lors du transport commercial par des tierces parties ou des transitaires par exemple, des exigences spécifiques en matière d'étiquetage et d'emballage doivent être respectées. Pour la préparation de l'article expédié, il est nécessaire de consulter un expert en matériau dangereux. Veuillez également respecter les réglementations nationales susceptibles d'être plus détaillées. Recouvrez les contacts exposés avec du ruban adhésif ou du ruban de masquage et emballez la batterie de telle sorte qu'elle ne puisse pas bouger dans l'emballage.
11. Lors de la mise au rebut de la batterie, retirez-la de l'outil et jetez-la en lieu sûr. Suivez les réglementations locales en matière de mise au rebut des batteries.

12. **Utilisez les batteries uniquement avec les produits spécifiés par Makita.** L'insertion de batteries dans des produits non conformes peut provoquer un incendie, une chaleur excessive, une explosion ou une fuite de l'électrolyte.
13. **Lorsque vous n'utilisez pas l'outil pendant une période prolongée, la batterie doit être retirée de l'outil.**
14. **Pendant et après l'utilisation, la batterie peut chauffer, ce qui peut entraîner des brûlures, y compris en cas de température relativement basse.** Manipulez les batteries chaudes avec précaution.
15. **Ne touchez pas la borne de l'outil immédiatement après utilisation car elle peut être assez chaude pour provoquer des brûlures.**
16. **Évitez que des copeaux, de la poussière ou du sol adhèrent aux bornes, aux trous et aux rainures de la batterie.** Cela peut provoquer un échauffement, un incendie, une explosion ou un dysfonctionnement de l'outil ou de la batterie, ce qui peut entraîner des brûlures ou des blessures.
17. **À moins que l'outil prenne en charge un tel usage, n'utilisez pas la batterie à proximité de lignes électriques haute tension.** Cela pourrait entraîner un dysfonctionnement ou casser l'outil ou la batterie.
18. **Conservez la batterie hors de portée des enfants.**

## CONSERVEZ CES INSTRUCTIONS.

**⚠ATTENTION : N'utilisez que des batteries Makita d'origine.** L'utilisation de batteries de marque autre que Makita ou de batteries modifiées peut provoquer l'explosion des batteries, ce qui présente un risque d'incendie, de dommages matériels et corporels. Cela annulera également la garantie Makita pour l'outil et le chargeur Makita.

## Conseils pour assurer la durée de vie optimale de la batterie

1. **Chargez la batterie avant qu'elle ne soit complètement déchargée. Arrêtez toujours l'outil et rechargez la batterie quand vous remarquez que la puissance de l'outil diminue.**
2. **Ne rechargez jamais une batterie complètement chargée. La surcharge réduit la durée de service de la batterie.**
3. **Chargez la batterie à une température ambiante comprise entre 10 °C et 40 °C. Avant de charger une batterie chaude, laissez-la refroidir.**
4. **Lorsque vous n'utilisez pas la batterie, retirez-la de l'outil ou du chargeur.**
5. **Rechargez la batterie si elle est restée inutilisée pendant une période prolongée (plus de six mois).**

## DESCRIPTION DU FONCTIONNEMENT

**⚠ATTENTION :** Assurez-vous toujours que l'outil est hors tension et que sa batterie est retirée avant de l'ajuster ou de vérifier son fonctionnement.

### Insertion ou retrait de la batterie

**⚠ATTENTION :** Éteignez toujours l'outil avant de mettre en place ou de retirer la batterie.

**⚠ATTENTION :** Tenez fermement l'outil et la batterie lors de la mise en place ou du retrait de la batterie. Si vous ne tenez pas fermement l'outil et la batterie, ils peuvent vous glisser des mains, et s'abîmer ou vous blesser.

► **Fig.1:** 1. Indicateur rouge 2. Bouton 3. Batterie

Pour retirer la batterie, faites-la glisser hors de l'outil tout en faisant glisser le bouton à l'avant de la batterie.

Pour mettre la batterie en place, alignez la languette de la batterie avec la rainure du compartiment puis insérez la batterie. Insérez-la entièrement jusqu'à entendre un léger déclic indiquant qu'elle est bien en place. Si vous pouvez voir l'indicateur rouge comme illustré sur la figure, c'est qu'elle n'est pas bien verrouillée.

**⚠ATTENTION :** Insérez toujours complètement la batterie jusqu'à ce que l'indicateur rouge ne soit plus visible. Sinon, elle pourrait tomber accidentellement de l'outil, au risque de vous blesser ou de blesser quelqu'un se trouvant près de vous.

**⚠ATTENTION :** N'insérez pas la batterie de force. Si elle ne glisse pas facilement, c'est que vous ne l'insérez pas correctement.

### Indication de la charge restante de la batterie

Appuyez sur le bouton de vérification sur la batterie pour indiquer la charge restante de la batterie. Les témoins s'allument pendant quelques secondes.

► **Fig.2:** 1. Témoins 2. Bouton de vérification

Témoins			Charge restante
Allumé	Éteint	Clignotant	
■	□	◐	75 % à 100 %
■ ■ ■	□	□	
■ ■ ■	□	□	50 % à 75 %
■ ■	□	□	25 % à 50 %
■	□	□	0 % à 25 %
◐	□	□	Chargez la batterie.
■ ■ □ □	□ □	□ □	Anomalie possible de la batterie.
□ □ ■ ■	□ □	□ □	







**NOTE :** Selon les conditions d'utilisation et la température ambiante, l'indication peut être légèrement différente de la capacité réelle.

**NOTE :** Le premier témoin (complètement à gauche) clignotera pendant le fonctionnement du système de protection de la batterie.

## Système de protection de l'outil/la batterie

L'outil est équipé d'un système de protection de l'outil/la batterie. Ce système coupe automatiquement l'alimentation vers le moteur pour prolonger la durée de vie de l'outil et de la batterie. Si l'outil se trouve dans l'une des situations suivantes, l'outil cessera automatiquement de fonctionner :

► **Fig.3:** 1. Témoin d'avertissement

Témoin d'avertissement			État
Couleur	 Allumé	 Clignotant	
Vert			Surcharge
Rouge	 (outil) /  (batterie)		Surchauffe
Rouge			Décharge excessive

**REMARQUE :** Selon les conditions d'utilisation, l'outil s'éteint automatiquement sans indication en présence d'un enchevêtrement de branches ou de débris. Dans ce cas, éteignez l'outil et retirez la batterie, puis ôtez l'enchevêtrement de branches ou de débris en utilisant un outil comme une pince. Après avoir ôté les branches ou débris, remettez la batterie en place et rallumez l'outil.

## Protection contre la surcharge

Si l'outil ou la batterie sont surchargés par un enchevêtrement de branches ou d'autres débris, l'outil s'arrête automatiquement et le témoin d'avertissement se met à clignoter en vert.

Dans ce cas, éteignez l'outil et arrêtez la tâche ayant provoqué la surcharge de l'outil. Puis rallumez l'outil pour reprendre la tâche.

## Protection contre la surchauffe de l'outil ou de la batterie

En cas de surchauffe de l'outil ou de la batterie, l'outil s'arrête automatiquement. Si l'outil surchauffe, le témoin d'avertissement s'allume en rouge. Si la batterie surchauffe, le témoin d'avertissement clignote en rouge. Laissez l'outil et/ou la batterie refroidir avant de rallumer l'outil.

## Protection contre la décharge totale de la batterie

Lorsque la charge de la batterie devient faible, l'outil s'arrête automatiquement et le témoin d'avertissement se met à clignoter en rouge.

Si l'outil ne fonctionne pas même en actionnant les interrupteurs, retirez la batterie de l'outil et chargez-la.

## Protections contre d'autres causes

Le système de protection est également conçu pour d'autres causes qui pourraient endommager l'outil et lui permet de s'arrêter automatiquement. Suivez toutes les étapes ci-dessous pour éliminer les causes, lorsque l'outil a été arrêté provisoirement ou a cessé de fonctionner.

1. Éteignez l'outil, puis rallumez-le pour le redémarrer.
2. Chargez la ou les batteries ou remplacez-les par des batteries rechargées.
3. Laissez la machine et la ou les batteries refroidir.

En l'absence d'amélioration après avoir rétabli le système de protection, contactez votre centre de service Makita local.

## Fonctionnement de l'interrupteur d'alimentation

**⚠️ AVERTISSEMENT :** Par mesure de sécurité, cet outil est équipé d'un levier qui empêche le démarrage inopiné de l'outil. N'utilisez JAMAIS l'outil s'il fonctionne alors que vous avez seulement enclenché les gâchettes sans avoir enfoncé le levier. Confiez l'outil à notre centre d'entretien agréé pour le faire réparer AVANT de poursuivre l'utilisation.

**⚠️ AVERTISSEMENT :** Ne fixez JAMAIS le levier avec du ruban adhésif et abstenez-vous de le mettre hors fonction ou de contrecarrer son utilité.

**⚠️ AVERTISSEMENT :** Avant d'insérer la batterie dans l'outil, vérifiez toujours que les gâchettes et le levier fonctionnent correctement et reviennent en position d'arrêt lorsqu'ils sont relâchés. L'utilisation d'un outil dont l'interrupteur est défectueux comporte un risque de perte de contrôle et de graves blessures.

**⚠️ ATTENTION :** Ne placez jamais votre doigt sur les gâchettes lors du transport. L'outil risquerait de démarrer brusquement et de provoquer des blessures.

**REMARQUE :** Évitez d'appuyer sur la gâchette avec force lorsque le levier n'est pas enfoncé. Vous risquez de casser l'interrupteur.

Appuyez sur le bouton d'alimentation principale pour mettre l'outil sous tension. Pour mettre l'outil hors tension, maintenez à nouveau enfoncé le bouton d'alimentation principale jusqu'à ce que les indicateurs de vitesse s'éteignent.

► **Fig.4:** 1. Bouton d'alimentation principale

**NOTE :** Le témoin d'avertissement clignote si vous enclenchez la gâchette dans des conditions ne permettant pas d'utiliser l'outil. Le témoin d'avertissement clignote si vous mettez l'interrupteur d'alimentation principale en position de marche tout en maintenant le levier et la gâchette abaissés.

**NOTE :** Cet outil dispose d'une fonction de mise hors tension automatique. Pour éviter tout démarrage intempestif, l'interrupteur d'alimentation principale effectue automatiquement une mise hors tension lorsque la gâchette n'est pas enclenchée pendant un certain temps après actionnement de l'interrupteur d'alimentation principale.



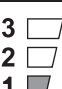
Le levier est prévu pour prévenir l'enclenchement accidentel de la gâchette. Pour démarrer l'outil, enclenchez la gâchette avant, puis enclenchez la gâchette arrière tout en enfonçant le levier. Lorsque vous relâchez l'une ou l'autre des gâchettes, l'outil s'arrête.

► **Fig.5:** 1. Levier 2. Gâchette arrière 3. Gâchette avant

## Réglage de la vitesse

Vous pouvez régler la vitesse de l'outil en appuyant sur le bouton d'alimentation principale. Chaque fois que vous appuyez sur le bouton d'alimentation principale, le niveau de vitesse change.

► **Fig.6:** 1. Indicateur de vitesse 2. Bouton d'alimentation principale

Indicateur de vitesse	Mode	Vitesse de déplacement
	Élevé	5 000 min <sup>-1</sup>
	Moyen	3 600 min <sup>-1</sup>
	Faible	2 000 min <sup>-1</sup>

## Bouton de marche arrière pour le retrait des débris

**AVERTISSEMENT :** Si l'enchevêtrement de branches ou de débris ne peut être ôté par la fonction de marche arrière, éteignez l'outil et retirez la batterie, puis ôtez l'enchevêtrement de branches ou de débris en utilisant un outil comme une pince. Si vous ne mettez pas l'outil hors tension et ne retirez pas la batterie, cela présente un risque de graves blessures en cas de démarrage involontaire. Ôter l'enchevêtrement de branches ou de débris à la main présente un risque de blessure, car les lames de cisaille peuvent bouger en réaction au retrait des branches ou débris.

Cet outil est équipé d'un bouton de marche arrière permettant de modifier le sens de déplacement des lames de cisaille. Il sert uniquement à ôter les enchevêtrements de branches et de débris dans l'outil. Pour inverser le mouvement des lames de cisaille, appuyez sur le bouton de marche arrière lorsque les lames sont arrêtées, puis enclenchez la gâchette avant, et ensuite enclenchez la gâchette arrière tout en enfonçant le levier. Les indicateurs de vitesse se mettent à clignoter, et les lames de cisaille se déplacent dans le sens inverse.

Une fois l'enchevêtrement de branches et de débris ôté, l'outil revient à un mouvement régulier et les indicateurs de vitesse cessent de clignoter et s'allument.

► **Fig.7:** 1. Indicateur de vitesse 2. Bouton de marche arrière

**NOTE :** S'il s'avère impossible d'ôter l'enchevêtrement de branches ou de débris, relâchez les gâchettes, puis appuyez sur le bouton de marche arrière, ensuite enclenchez les gâchettes jusqu'à ce qu'il soit retiré.

**NOTE :** Si vous touchez le bouton de marche arrière alors que les lames de cisaille bougent encore, l'outil s'arrêtera et se préparera au mouvement inverse.

## Fonction électronique

L'outil est doté de fonctions électroniques pour en faciliter le fonctionnement.

- Contrôle de vitesse constante  
La fonction de contrôle de la vitesse offre une vitesse de rotation constante quelles que soient les conditions de charge.
- Frein électrique  
Cet outil est équipé d'un frein électrique. Si systématiquement l'outil n'arrive pas à arrêter rapidement les lames de cisaille après le relâchement de la gâchette, faites réparer l'outil dans un centre de service après-vente Makita agréé.
- Fonction de prévention de redémarrage accidentel  
Même si vous insérez la batterie tout en enclenchant la gâchette, l'outil ne démarrera pas. Pour démarrer l'outil, commencez par relâcher la gâchette, puis enclenchez-la.

## ASSEMBLAGE

**ATTENTION :** Assurez-vous toujours que l'outil est hors tension et que sa batterie est retirée avant d'effectuer toute tâche dessus.

**ATTENTION :** Lorsque vous remplacez les lames de cisaille, portez toujours des gants de sorte que vos mains ne touchent pas directement les lames.

**REMARQUE :** Lorsque vous remplacez les lames de cisaille, ne retirez pas la graisse de l'engrenage et de la manivelle.



## Pose ou dépose des lames de cisaille

**ATTENTION** : Fixez le couvre-lame avant de déposer ou poser les lames de cisaille.

Vous pouvez installer des lames de cisaille de 600 mm ou 750 mm sur votre outil.

**NOTE** : Si vous utilisez des lames de cisaille de longueur différente, remplacez le collecteur de copeaux par un collecteur adapté aux lames.

1. Retirez quatre vis (pour le UH013G) ou cinq vis (pour le UH014G), puis retirez le collecteur de copeaux de l'outil.

### Pour UH013G

► **Fig.8:** 1. Collecteur de copeaux 2. Vis

### Pour UH014G

► **Fig.9:** 1. Collecteur de copeaux 2. Vis

2. Placez l'outil à l'envers, puis retirez six boulons.

► **Fig.10:** 1. Boulon

3. Déposez le couvercle et la plaque.

► **Fig.11:** 1. Couvercle 2. Plaque

**NOTE** : La plaque peut rester sur le couvercle.

4. Retirez la tige et le roulement.

► **Fig.12:** 1. Tige 2. Roulement

**NOTE** : La tige ou le roulement peut rester sur le couvercle.

5. Retirez trois vis, trois manchons et le plateau en feutre, puis déposez les lames de cisaille.

► **Fig.13:** 1. Vis 2. Manchon 3. Plateau en feutre  
4. Lames de cisaille

**REMARQUE** : Prenez garde de ne pas perdre les vis.

6. Retirez le couvre-lame, puis fixez-le aux lames de cisaille neuves.

► **Fig.14**

7. Ajustez la manivelle de sorte que les deux trous soient alignés sur la ligne d'alignement.

► **Fig.15:** 1. Trou 2. Ligne d'alignement

8. Alignez les parties saillantes sur les lames de cisaille à la verticale sur la même position.

► **Fig.16:** 1. Partie saillante

9. Insérez la vis retirée à l'étape 5 dans les trous sur le couvre-lame et les lames de cisaille pour fixer provisoirement les lames de cisaille, puis fixez le plateau en feutre sur les lames de cisaille.

► **Fig.17:** 1. Vis 2. Plateau en feutre 3. Trou

10. Insérez la partie saillante sur les lames de cisaille sur le trou de la tige, puis alignez la position du plateau en feutre avec les trous de l'outil. Fixez deux manchons neufs.

► **Fig.18:** 1. Plateau en feutre 2. Partie saillante  
3. Trou 4. Manchon

**REMARQUE** : Appliquez une petite quantité de graisse sur la périphérie interne du trou de la tige.

**REMARQUE** : Prenez garde de ne pas perdre les manchons.

11. Alignez les trous sur les manchons et les lames de cisaille avec les trous sur l'outil, puis serrez deux vis pour fixer provisoirement les lames de cisaille.

► **Fig.19:** 1. Vis

12. Retirez la vis insérée dans le trou sur les lames de cisaille à l'étape 9, puis faites glisser le couvre-lame.

► **Fig.20:** 1. Vis

13. Fixez un manchon neuf.

► **Fig.21:** 1. Manchon

14. Serrez la vis ensemble avec le manchon pour fixer les lames de cisaille.

► **Fig.22:** 1. Vis

15. Serrez fermement les vis qui ont été provisoirement fixées à l'étape 11.

16. Fixez le roulement et la tige.

► **Fig.23:** 1. Tige 2. Petit trou 3. Roulement

**REMARQUE** : Appliquez une petite quantité de graisse sur la périphérie interne du petit trou de la tige.

**REMARQUE** : Assurez-vous que la partie saillante sur les lames de cisaille tient dans le petit trou sur la tige.

17. Fixez la plaque.

► **Fig.24:** 1. Partie saillante 2. Plaque

**REMARQUE** : Assurez-vous que la partie saillante sur les lames de cisaille tient dans le trou sur la plaque.

18. Fixez le couvercle, puis serrez six boulons.

► **Fig.25:** 1. Boulon 2. Couvercle

19. Fixez le collecteur de copeaux sur l'outil en serrant quatre vis (pour le UH013G) ou cinq vis (pour le UH014G).

### Pour UH013G

► **Fig.26:** 1. Collecteur de copeaux 2. Vis

### Pour UH014G

► **Fig.27:** 1. Collecteur de copeaux 2. Vis

**REMARQUE** : Si les lames de cisaille ne boudent pas correctement, elles ne sont pas engagées correctement dans les tiges. Installez à nouveau les lames de cisaille.

**REMARQUE** : Si d'autres pièces que les lames de cisaille comme les tiges sont usées, demandez leur remplacement ou réparation aux centres de service après-vente Makita agréés.

## Retrait ou installation du collecteur de copeaux

**⚠ ATTENTION :** Lorsque vous installez ou retirez le collecteur de copeaux, portez toujours des gants de sorte que vos mains n'entrent pas en contact direct avec les lames de cisaille.

Le collecteur de copeaux rassemble les feuilles élaguées et facilite le nettoyage ultérieur.

Pour retirer le collecteur de copeaux, retirez quatre vis (pour le UH013G) ou cinq vis (pour le UH014G), puis retirez le collecteur de copeaux de l'outil. Pour installer le collecteur de copeaux, suivez la procédure de retrait en sens inverse.

**Pour UH013G**

► Fig.28: 1. Collecteur de copeaux 2. Vis

**Pour UH014G**

► Fig.29: 1. Collecteur de copeaux 2. Vis

## UTILISATION

**⚠ AVERTISSEMENT :** Éloignez les mains des lames de cisaille.

**⚠ ATTENTION :** Évitez autant que possible de faire fonctionner l'outil par temps très chaud. Lorsque vous utilisez l'outil, faites attention à votre condition physique.

**⚠ ATTENTION :** Prenez soin de ne pas toucher accidentellement une clôture en métal ou d'autres objets durs pendant la coupe. Les lames de cisaille peuvent se briser et vous blesser.

**⚠ ATTENTION :** Prenez soin de ne pas laisser les lames de cisaille entrer en contact avec le sol. L'outil pourrait avoir un mouvement de recul et provoquer des blessures.

**⚠ ATTENTION :** Il est très dangereux de se pencher trop loin avec un taille-haie, particulièrement depuis une échelle. Ne travaillez pas en vous tenant debout sur une surface bancale ou molle.

**REMARQUE :** N'essayez pas de couper avec l'outil des branches dont l'épaisseur dépasse 10 mm de diamètre. Coupez les branches à 10 cm plus bas que la hauteur de coupe au moyen d'un coupe-branches avant d'utiliser l'outil.

► Fig.30: (1) Hauteur de coupe (2) 10 cm

**REMARQUE :** Ne coupez pas d'arbres morts ou d'objets durs semblables. Vous risqueriez d'endommager l'outil.

**REMARQUE :** Ne coupez pas l'herbe ou les mauvaises herbes pendant que vous utilisez les lames de cisaille. Les lames de cisaille peuvent s'entortiller dans l'herbe ou les mauvaises herbes.

Tenez la poignée avant avec la main droite et la poignée arrière avec la main gauche. Enclenchez la gâchette avant, puis enclenchez la gâchette arrière tout en enfonçant le levier, puis déplacez l'outil vers l'avant.

► Fig.31

Pour une utilisation élémentaire, inclinez les lames de cisaille dans le sens de coupe et déplacez-le calmement et lentement à une vitesse de 3 à 4 secondes par mètre.

► Fig.32

Pour tailler le haut d'une haie de manière uniforme, nouez une ficelle à la hauteur souhaitée et coupez autour.

► Fig.33

Le collecteur de copeaux rassemble les feuilles élaguées et facilite le nettoyage ultérieur.

► Fig.34

Pour couper uniformément le côté d'une haie, coupez de bas en haut.

► Fig.35

Pour tailler une forme ronde (taille de buis ou rhododendron, etc.), coupez depuis la racine jusqu'en haut pour obtenir un rendu magnifique.

► Fig.36

## ENTRETIEN

**⚠ ATTENTION :** Assurez-vous toujours que l'outil est hors tension et que la batterie est retirée avant d'y effectuer tout travail d'inspection ou d'entretien.

Pour assurer la SÉCURITÉ et la FIABILITÉ du produit, toute réparation, tout travail d'entretien ou de réglage doivent être effectués par un centre d'entretien Makita agréé, avec des pièces de rechange Makita.

### Nettoyage de l'outil

Nettoyez l'outil en essuyant la poussière avec un chiffon sec ou un chiffon imbibé d'eau savonneuse bien essoré.

**REMARQUE :** N'utilisez jamais d'essence, benzine, diluant, alcool ou autre produit similaire. Cela risquerait de provoquer la décoloration, la déformation ou la fissuration de l'outil.

## Entretien des lames de cisaille

Avant utilisation ou une fois toutes les heures pendant l'utilisation, appliquez de l'huile à faible viscosité (huile machine ou huile lubrifiante en vaporisateur) sur les lames de cisaille.

► Fig.37

Après utilisation, retirez la poussière des lames de cisaille avec une brosse métallique, essuyez-la avec un chiffon, puis appliquez de l'huile à faible viscosité (huile machine ou huile lubrifiante en vaporisateur) sur les lames de cisaille.

► Fig.38

**REMARQUE : Ne lavez pas les lames de cisaille dans l'eau.** Cela peut les corroder ou endommager l'outil.

**REMARQUE : La saleté et la corrosion provoquent une friction excessive de la lame et réduisent la durée de fonctionnement par charge de batterie.**

## Rangement

Le trou du crochet au bas de l'outil permet d'accrocher l'outil à un clou ou une vis au mur.

Retirez la batterie de l'outil, puis fixez le couvre-lame sur les lames de cisaille de sorte que les lames ne soient pas exposées. Rangez l'outil hors de portée des enfants. Rangez l'outil dans un endroit non exposé à l'humidité ou à la pluie.

► Fig.39: 1. Trou

## Aiguisage des lames de cisaille

**REMARQUE : Si les lames de cisaille sont considérablement déformées par l'aiguisage, remplacez-les par des neuves.**

1. Installez la batterie dans l'outil.  
2. Mettez l'outil sous tension et démarrez-le de sorte que la lame supérieure et la lame inférieure soient placées de façon alternée.

► Fig.40

3. Mettez l'outil hors tension et retirez la batterie de l'outil.

4. Réglez l'angle d'une lime à 45°, et aiguissez la lame supérieure dans 3 directions avec la lime.

► Fig.41: (1) Lime (2) 45°

**ATTENTION : Avant d'aiguiser les lames de cisaille, assurez-vous que l'outil est éteint et que la batterie est retirée de l'outil.**

5. Placez l'outil à l'envers, puis retirez les bavures des lames de cisaille avec la pierre d'affûtage.

► Fig.42: 1. Pierre d'affûtage

6. Réglez l'angle de la lime à 45°, et aiguissez la lame inférieure dans 3 directions avec la lime.

7. Placez l'outil sur la position normale, puis retirez les bavures des lames de cisaille avec la pierre d'affûtage.

## Lubrification à la graisse

**Intervalle de lubrification :** Toutes les 50 heures de fonctionnement

1. Retirez le boulon du trou pour la lubrification.

► Fig.43: 1. Boulon

2. Retirez le bouchon du tube de graisse. Alignez la sortie du tube de graisse avec le trou sur le couvercle, puis appuyez la sortie du tube de graisse sur le trou.

► Fig.44: 1. Tube de graisse 2. Trou

3. Graissez l'outil (environ 5 g, à titre indicatif).

4. Serrez le boulon.

# GUIDE DE DÉPANNAGE

Avant de faire une demande de réparation, effectuez d'abord vous-même une inspection. Si vous rencontrez un problème non documenté dans le mode d'emploi, n'essayez pas de démonter l'outil. Demandez plutôt à un centre de service après-vente Makita agréé d'effectuer la réparation au moyen de pièces de rechange Makita.

État d'anomalie	Cause probable (dysfonctionnement)	Solution
Le moteur ne tourne pas.	La batterie n'est pas installée.	Installez la batterie.
	Problème de batterie (sous tension)	Rechargez la batterie. Si vous n'arrivez pas à recharger la batterie, remplacez-la.
	Le mécanisme d'entraînement ne fonctionne pas correctement.	Demandez à votre centre de service après-vente local agréé d'effectuer la réparation.
Le moteur s'arrête au bout d'un court moment.	La charge de la batterie est faible.	Rechargez la batterie. Si vous n'arrivez pas à recharger la batterie, remplacez-la.
	Surchauffe.	Arrêtez d'utiliser l'outil pour le laisser refroidir.
L'outil ne tourne pas à plein régime.	La batterie n'est pas bien installée.	Installez la batterie comme décrit dans ce mode d'emploi.
	La batterie faiblit.	Rechargez la batterie. Si vous n'arrivez pas à recharger la batterie, remplacez-la.
	Le mécanisme d'entraînement ne fonctionne pas correctement.	Demandez à votre centre de service après-vente local agréé d'effectuer la réparation.
Les lames de cisaille ne bougent pas : ⇒ arrêtez immédiatement la machine !	Des corps étrangers sont coincés entre les lames de cisaille.	1. Utilisez le bouton de marche arrière. 2. Éteignez l'outil et retirez la batterie, puis enlevez les corps étrangers en utilisant un outil comme une pince.
	Le mécanisme d'entraînement ne fonctionne pas correctement.	Demandez à votre centre de service après-vente local agréé d'effectuer la réparation.
Vibration anormale : ⇒ arrêtez immédiatement la machine !	Les lames de cisaille sont cassées, pliées ou usées.	Remplacez les lames de cisaille.
	Le mécanisme d'entraînement ne fonctionne pas correctement.	Demandez à votre centre de service après-vente local agréé d'effectuer la réparation.
Les lames de cisaille et le moteur ne s'arrêtent pas : ⇒ retirez immédiatement la batterie !	Dysfonctionnement électrique.	Retirez la batterie et demandez à votre centre de service après-vente local agréé d'effectuer la réparation.

## ACCESSOIRES EN OPTION

**⚠ ATTENTION** : Ces accessoires ou pièces complémentaires sont recommandés pour l'utilisation avec l'outil Makita spécifié dans ce mode d'emploi. L'utilisation de tout autre accessoire ou pièce complémentaire peut comporter un risque de blessure. N'utilisez les accessoires ou pièces complémentaires qu'aux fins auxquelles ils ont été conçus.

Pour obtenir plus de détails sur ces accessoires, contactez votre centre d'entretien local Makita.

- Ensemble de lame de cisaille
- Collecteur de copeaux
- Tube de graisse
- Batterie et chargeur de marque Makita

**NOTE** : Il se peut que certains éléments de la liste soient compris dans l'emballage de l'outil en tant qu'accessoires standard. Ils peuvent varier d'un pays à l'autre.

## TECHNISCHE DATEN

Modell:	UH013G	UH014G
Messerlänge	600 mm	750 mm
Hubzahl pro Minute	2.000 / 3.600 / 5.000 min <sup>-1</sup>	
Gesamtlänge	1.085 mm	1.225 mm
Nennspannung	36 V - 40 V Gleichstrom	
Nettogewicht	3,9 - 4,5 kg	4,0 - 4,7 kg
Schutzgrad	IPX4	

- Wir behalten uns vor, Änderungen der technischen Daten im Zuge der Entwicklung und des technischen Fortschritts ohne vorherige Ankündigung vorzunehmen.
- Die technischen Daten können von Land zu Land unterschiedlich sein.
- Das Gewicht kann abhängig von dem Aufsatz (den Aufsätzen), einschließlich des Akkus, unterschiedlich sein. Die leichteste und die schwerste Kombination, gemäß dem EPTA-Verfahren 01/2014, sind in der Tabelle angegeben.

### Zutreffende Akkus und Ladegeräte

Akku	BL4020* / BL4025* / BL4040* / BL4050F * : Empfohlener Akku
Ladegerät	DC40RA / DC40RB / DC40RC

- Einige der oben aufgelisteten Akkus und Ladegeräte sind je nach Ihrem Wohngebiet eventuell nicht erhältlich.

**⚠️ WARNUNG:** Verwenden Sie nur die oben aufgeführten Akkus und Ladegeräte. Bei Verwendung irgendwelcher anderer Akkus und Ladegeräte besteht Verletzungs- und/oder Brandgefahr.





### Empfohlene kabelgebundene Stromquelle

Rückentragbare Akku-Bank	PDC01 / PDC1200
--------------------------	-----------------

- Die oben aufgelisteten kabelgebundenen Stromquellen sind je nach Ihrem Wohngebiet eventuell nicht erhältlich.
- Lesen Sie vor Gebrauch der kabelgebundenen Stromquelle die daran angebrachten Anweisungen und Warnmarkierungen durch.

### Symbole

Nachfolgend werden Symbole beschrieben, die für das Gerät verwendet werden können. Machen Sie sich unbedingt vor der Benutzung mit ihrer Bedeutung vertraut.

	Betriebsanleitung lesen.
	GEFAHR- Halten Sie Ihre Hände vom Messer fern.
 	Schutzbrille tragen.



Nur für EU-Länder  
Aufgrund des Vorhandenseins gefährlicher Komponenten in der Ausrüstung können Elektro- und Elektronik-Altgeräte, Akkumulatoren und Batterien sich negativ auf die Umwelt und die menschliche Gesundheit auswirken.  
Entsorgen Sie Elektro- und Elektronikgeräte oder Batterien nicht mit dem Hausmüll!  
In Übereinstimmung mit der Europäischen Richtlinie über Elektro- und Elektronik-Altgeräte, Akkumulatoren und Batterien, verbrauchte Akkumulatoren und Batterien sowie ihrer Anpassung an nationales Recht sollten Elektro-Altgeräte, Batterien und Akkumulatoren gemäß den Umweltschutzbestimmungen getrennt gelagert und zu einer getrennten Sammelstelle für Siedlungsabfälle geliefert werden.  
Dies wird durch das am Gerät angebrachte Symbol der durchgestrichenen Abfalltonne auf Rädern angezeigt.

### Vorgesehene Verwendung

Das Werkzeug ist zum Trimmen von Hecken vorgesehen.

## Geräusch

Zutreffender Standard : EN62841-4-2

Modell	Schalldruckpegel		Schallleistungspegel	
	$L_{pA}$ (dB(A))	Messunsicherheit K (dB (A))	$L_{WA}$ (dB (A))	Messunsicherheit K (dB (A))
UH013G	80	3	91	3
UH014G	81	3	92	3

**HINWEIS:** Der (Die) angegebene(n) Schallemissionswert(e) wurde(n) im Einklang mit der Standardprüfmethode gemessen und kann (können) für den Vergleich zwischen Werkzeugen herangezogen werden.

**HINWEIS:** Der (Die) angegebene(n) Schallemissionswert(e) kann (können) auch für eine Vorbewertung des Gefährdungsgrads verwendet werden.

**⚠️ WARNUNG:** Einen Gehörschutz tragen.

**⚠️ WARNUNG:** Die Schallemission während der tatsächlichen Benutzung des Elektrowerkzeugs kann je nach der Benutzungsweise des Werkzeugs, und speziell je nach der Art des bearbeiteten Werkstücks, von dem (den) angegebenen Wert(en) abweichen.

**⚠️ WARNUNG:** Identifizieren Sie Sicherheitsmaßnahmen zum Schutz des Benutzers anhand einer Schätzung des Gefährdungsgrads unter den tatsächlichen Benutzungsbedingungen (unter Berücksichtigung aller Phasen des Arbeitszyklus, wie z. B. Ausschalt- und Leerlaufzeiten des Werkzeugs zusätzlich zur Betriebszeit).

## Schwingungen

Schwingungsgesamtwert (Drei-Achsen-Vektorsumme) ermittelt gemäß EN62841-4-2:

Modell	Vorderer Handgriff		Hinterer Handgriff	
	$a_h$ ( $m/s^2$ )	Messunsicherheit K ( $m/s^2$ )	$a_h$ ( $m/s^2$ )	Messunsicherheit K ( $m/s^2$ )
UH013G	2,5	1,5	2,5 $m/s^2$ oder weniger	1,5
UH014G	3,2	1,5	2,5 $m/s^2$ oder weniger	1,5

**HINWEIS:** Der (Die) angegebene(n) Vibrationsgesamtwert(e) wurde(n) im Einklang mit der Standardprüfmethode gemessen und kann (können) für den Vergleich zwischen Werkzeugen herangezogen werden.

**HINWEIS:** Der (Die) angegebene(n) Vibrationsgesamtwert(e) kann (können) auch für eine Vorbewertung des Gefährdungsgrads verwendet werden.

**⚠️ WARNUNG:** Die Vibrationsemission während der tatsächlichen Benutzung des Elektrowerkzeugs kann je nach der Benutzungsweise des Werkzeugs, und speziell je nach der Art des bearbeiteten Werkstücks, von dem (den) angegebenen Emissionswert(en) abweichen.

**⚠️ WARNUNG:** Identifizieren Sie Sicherheitsmaßnahmen zum Schutz des Benutzers anhand einer Schätzung des Gefährdungsgrads unter den tatsächlichen Benutzungsbedingungen (unter Berücksichtigung aller Phasen des Arbeitszyklus, wie z. B. Ausschalt- und Leerlaufzeiten des Werkzeugs zusätzlich zur Betriebszeit).

## EG-Konformitätserklärung

*Nur für europäische Länder*

Die EG-Konformitätserklärung ist als Anhang A in dieser Bedienungsanleitung enthalten.

# SICHERHEITSWARNUNGEN

## Allgemeine Sicherheitswarnungen für Elektrowerkzeuge

**⚠️ WARNUNG:** Lesen Sie alle mit diesem Elektrowerkzeug gelieferten Sicherheitswarnungen, Anweisungen, Abbildungen und technischen Daten durch. Eine Missachtung der unten aufgeführten Anweisungen kann zu einem elektrischen Schlag, Brand und/oder schweren Verletzungen führen.

## Bewahren Sie alle Warnungen und Anweisungen für spätere Bezugnahme auf.

Der Ausdruck „Elektrowerkzeug“ in den Warnhinweisen bezieht sich auf Ihr mit Netzstrom (mit Kabel) oder Akku (ohne Kabel) betriebenes Elektrowerkzeug.

## Sicherheitswarnungen für Akku-Heckenschere

- Halten Sie alle Körperteile vom Messer fern. Versuchen Sie nicht, abgeschnittenes Material zu entfernen oder zu schneidendes Material zu halten, während die Messer sich bewegen.** Die Messer bewegen sich nach dem Ausschalten des Schalters noch weiter. Ein Augenblick der Unachtsamkeit während der Benutzung der Heckenschere kann zu schweren Personenschäden führen.
- Tragen Sie die Heckenschere bei still stehendem Messer am Handgriff, und achten Sie darauf, keinen Ein-Aus-Schalter zu betätigen.** Sachgemäßes Tragen der Heckenschere verringert die Gefahr von versehentlichem Starten und daraus resultierenden Personenschäden durch die Messer.
- Bringen Sie beim Transportieren oder Lagern der Heckenschere immer die Messerabdeckung an.** Sachgemäße Handhabung der Heckenschere verringert die Gefahr von Personenschäden durch die Messer.
- Vergewissern Sie sich vor dem Beseitigen von eingeklemmtem Material oder dem Warten des Gerätes, dass alle Ein-Aus-Schalter ausgeschaltet sind und der Akku abgenommen oder abgetrennt ist.** Unerwartete Betätigung der Heckenschere beim Beseitigen von eingeklemmtem Material oder Warten kann zu schweren Personenschäden führen.
- Halten Sie die Heckenschere nur an den isolierten Griffflächen, weil die Gefahr besteht, dass das Messer verborgene Kabel kontaktiert.** Bei Kontakt der Messer mit einem Strom führenden Kabel können die freiliegenden Metallteile der Heckenschere ebenfalls Strom führend werden, so dass der Benutzer einen elektrischen Schlag erleiden kann.
- Halten Sie alle Netzkabel und Kabel vom Schneidbereich fern.** Netzkabel oder Kabel können in Hecken oder Büschen verborgen sein und versehentlich durch das Messer abgeschnitten werden.

- Benutzen Sie die Heckenschere nicht bei schlechten Witterungsverhältnissen, besonders bei Blitzschlaggefahr.** Dadurch wird die Blitzschlaggefahr verringert.

## Zusätzliche Sicherheitsanweisungen

### Vorbereitung

- Überprüfen Sie die Hecken und Büsche auf Fremdkörper, wie z. B. Drahtzäune oder verborgene Kabel, bevor Sie das Werkzeug betreiben.**
- Das Werkzeug darf nicht von Kindern oder Jugendlichen unter 18 Jahren benutzt werden.** Jugendliche über 16 Jahre können von dieser Einschränkung ausgenommen werden, wenn sie eine Schulung unter der Aufsicht eines Fachmanns durchmachen.
- Anfänger sollten sich von einem erfahrenen Benutzer im Gebrauch des Werkzeugs unterweisen lassen.**
- Benutzen Sie das Werkzeug nur, wenn Sie sich in guter körperlicher Verfassung befinden.** Ermüdung führt zu verminderter Aufmerksamkeit. Besonders hohe Aufmerksamkeit ist am Ende eines Arbeitstages erforderlich. Führen Sie alle Arbeiten ruhig und sorgfältig durch. Der Benutzer ist für alle Schäden an Dritten verantwortlich.
- Benutzen Sie das Werkzeug niemals unter dem Einfluss von Alkohol, Drogen oder Medikamenten.**
- Arbeitshandschuhe aus robustem Leder sind Teil der Grundausrüstung des Werkzeugs und müssen bei der Arbeit immer getragen werden. Tragen Sie auch robuste Schuhe mit rutschfesten Sohlen.**
- Bevor Sie mit der Arbeit beginnen, vergewissern Sie sich, dass das Werkzeug in gutem und sicherem Arbeitszustand ist. Vergewissern Sie sich, dass Schutzhäuben ordnungsgemäß angebracht sind. Das Werkzeug darf nur in vollständig montiertem Zustand benutzt werden.**

### Betrieb

- Halten Sie das Werkzeug während der Benutzung mit beiden Händen fest.**
- Das Werkzeug ist zur Benutzung durch den Bediener auf Bodenhöhe vorgesehen. Benutzen Sie das Werkzeug nicht auf einer Leiter oder einer anderen instabilen Unterlage.**
- GEFAHR - Halten Sie Ihre Hände vom Messer fern.** Kontakt mit dem Messer führt zu ernsthaften Personenschäden.
- Achten Sie auf sicheren Stand, bevor Sie mit der Arbeit beginnen.**
- Lassen Sie das Werkzeug nicht unnötig im Leerlauf laufen.**
- Schalten Sie das Werkzeug sofort aus, und nehmen Sie den Akku ab, falls die Schermesser mit einem Zaun oder einem anderen harten Objekt in Berührung kommen. Überprüfen Sie die Messer auf Beschädigung, und ersetzen Sie beschädigte Messer unverzüglich.**

7. **Schalten Sie stets das Werkzeug aus, und nehmen Sie den Akku ab, bevor Sie die Schermesser überprüfen, Fehler beheben oder zwischen den Schermessern eingeklemmtes Material entfernen.**
8. **Richten Sie die Schermesser niemals auf sich selbst oder andere Personen.**
9. **Falls die Messer stehen bleiben, weil sich Fremdkörper während des Betriebs zwischen den Messern verfangen haben, schalten Sie das Werkzeug aus, nehmen Sie den Akku ab, und beseitigen Sie dann die Fremdkörper mithilfe von Werkzeugen, wie z. B. einer Zange.** Beseitigen der Fremdkörper von Hand kann zu einer Verletzung führen, da sich die Messer als Reaktion auf die Beseitigung der Fremdkörper bewegen können.
10. **Wenn Sie das Werkzeug auf schlammigem Boden, auf einem nassen Hang oder an einem schlüpfrigen Ort benutzen, achten Sie auf Ihren Stand.**
11. **Tauchen Sie das Werkzeug nicht in einen Tümpel ein.**
12. **Lassen Sie das Werkzeug bei Regen nicht unbeaufsichtigt im Freien stehen.**

#### **Sicherheit der Elektrik und des Akkus**

1. **Vermeiden Sie gefährliche Umgebungen. Benutzen Sie das Werkzeug nicht an feuchten oder nassen Orten, und setzen Sie es auch keinem Regen aus.** Wasser, das in das Werkzeug eindringt, erhöht die Stromschlaggefahr.
2. **Werfen Sie den (die) Akku(s) nicht ins Feuer.** Die Zelle könnte explodieren. Prüfen Sie die örtlichen Vorschriften für mögliche spezielle Entsorgungsanweisungen.
3. **Versuchen Sie nicht, den (die) Akku(s) zu öffnen oder zu verstümmeln.** Freigesetzter Elektrolyt ist korrosiv und kann Schäden an Augen oder Haut verursachen. Falls er verschluckt wird, kann er giftig sein.
4. **Laden Sie den Akku nicht im Regen oder an nassen Orten.**
5. **Laden Sie den Akku nicht im Freien.**
6. **Fassen Sie das Ladegerät, einschließlich des Ladegerätesteckers und der Ladegeräteanschlüsse, nicht mit nassen Händen an.**
7. **Tauschen Sie den Akku nicht mit nassen Händen aus.**
8. **Tauschen Sie den Akku nicht im Regen aus.**
9. **Vermeiden Sie Benetzen der Akkukontakte mit einer Flüssigkeit, wie z. B. Wasser, oder Untertauchen des Akkus.** Lassen Sie den Akku nicht im Regen stehen, und unterlassen Sie Laden, Benutzen oder Lagern des Akkus an einem feuchten oder nassen Ort. Falls die Kontakte nass werden, oder eine Flüssigkeit in den Akku eindringt, kann der Akku kurzgeschlossen werden, und es besteht Überhitzungs-, Brand- oder Explosionsgefahr.
10. **Nachdem Sie den Akku vom Werkzeug oder Ladegerät entfernt haben, bringen Sie unbedingt die Akkuabdeckung am Akku an, und lagern Sie ihn an einem trockenen Ort.**

11. **Falls der Akku nass wird, lassen Sie das eingedrungene Wasser ab, und wischen Sie ihn dann mit einem trockenen Tuch ab. Lassen Sie den Akku an einem trockenen Ort vollkommen trocknen, bevor Sie ihn benutzen.**

#### **Wartung und Lagerung**

1. **Schalten Sie das Werkzeug aus, und nehmen Sie den Akku ab, bevor Sie irgendwelche Wartungsarbeiten ausführen.**
2. **Wenn Sie das Werkzeug zu einem anderen Ort transportieren, auch während der Arbeit, nehmen Sie immer den Akku ab, und setzen Sie die Messerabdeckung auf die Schermesser.** Tragen oder transportieren Sie das Werkzeug niemals mit laufenden Messern. Ergreifen Sie die Messer niemals mit Ihren Händen.
3. **Reinigen Sie das Werkzeug und insbesondere die Schermesser nach jedem Gebrauch und vor längerer Lagerung des Werkzeugs.** Ölen Sie die Messer leicht ein, und bringen Sie die Messerabdeckung an.
4. **Lagern Sie das Werkzeug mit angebrachter Messerabdeckung in einem trockenen Raum.** Halten Sie sie außer Reichweite von Kindern. Lagern Sie das Werkzeug niemals im Freien.
5. **Werfen Sie den (die) Akku(s) nicht ins Feuer.** Die Zelle könnte explodieren. Prüfen Sie die örtlichen Vorschriften für mögliche spezielle Entsorgungsanweisungen.
6. **Versuchen Sie nicht, den (die) Akku(s) zu öffnen oder zu verstümmeln.** Freigesetzter Elektrolyt ist korrosiv und kann Schäden an Augen oder Haut verursachen. Falls er verschluckt wird, kann er giftig sein.
7. **Laden Sie den Akku nicht im Regen oder an nassen Orten.**
8. **Lagern Sie das Werkzeug nicht an einem Ort, der direktem Sonnenlicht und Regen ausgesetzt ist, sondern an einem Ort, an dem es nicht heiß oder feucht wird.**

## **DIESE ANWEISUNGEN AUFBEWAHREN.**

**⚠️ WARNUNG:** Lassen Sie sich NICHT durch Bequemlichkeit oder Vertrautheit mit dem Produkt (durch wiederholten Gebrauch erworben) von der strikten Einhaltung der Sicherheitsregeln für das vorliegende Produkt abhalten. **MISSBRAUCH** oder Missachtung der Sicherheitsvorschriften in dieser Anleitung können schwere Verletzungen verursachen.

### **Wichtige Sicherheitsanweisungen für Akku**

1. **Lesen Sie vor der Benutzung des Akkus alle Anweisungen und Warnhinweise, die an (1) Ladegerät, (2) Akku und (3) Akkuwerkzeug angebracht sind.**
2. **Unterlassen Sie Zerlegen oder Manipulieren des Akkus.** Es kann sonst zu einem Brand, übermäßiger Hitzeentwicklung oder einer Explosion kommen.



3. Falls die Betriebszeit beträchtlich kürzer geworden ist, stellen Sie den Betrieb sofort ein. Anderenfalls besteht die Gefahr von Überhitzung, möglichen Verbrennungen und sogar einer Explosion.
4. Falls Elektrolyt in Ihre Augen gelangt, waschen Sie sie mit sauberem Wasser aus, und begeben Sie sich unverzüglich in ärztliche Behandlung. Anderenfalls können Sie Ihre Sehkraft verlieren.
5. Der Akku darf nicht kurzgeschlossen werden:
  - (1) Die Kontakte dürfen nicht mit leitfähigem Material berührt werden.
  - (2) Lagern Sie den Akku nicht in einem Behälter zusammen mit anderen Metallgegenständen, wie z. B. Nägel, Münzen usw.
  - (3) Setzen Sie den Akku weder Wasser noch Regen aus.

Ein Kurzschluss des Akkus verursacht starken Stromfluss, der Überhitzung, mögliche Verbrennungen und einen Defekt zur Folge haben kann.

6. Lagern und benutzen Sie das Werkzeug und den Akku nicht an Orten, an denen die Temperatur 50 °C erreichen oder überschreiten kann.

7. Versuchen Sie niemals, den Akku zu verbrennen, selbst wenn er stark beschädigt oder vollkommen verbraucht ist. Der Akku kann im Feuer explodieren.

8. Unterlassen Sie Nageln, Schneiden, Zerquetschen, Werfen, Fallenlassen des Akkus oder Schlagen des Akkus mit einem harten Gegenstand. Eine solche Handlung kann zu einem Brand, übermäßiger Hitzeentwicklung oder einer Explosion führen.

9. Benutzen Sie keine beschädigten Akkus.

10. Die enthaltenen Lithium-Ionen-Akkus unterliegen den Anforderungen der Gefahrgut-Gesetzgebung.

Für kommerzielle Transporte, z. B. durch Dritte oder Spediteure, müssen besondere Anforderungen zu Verpackung und Etikettierung beachtet werden.

Zur Vorbereitung des zu transportierenden Artikels ist eine Beratung durch einen Experten für Gefahrgut erforderlich. Bitte beachten Sie möglicherweise ausführlichere nationale Vorschriften. Überkleben oder verdecken Sie offene Kontakte, und verpacken Sie den Akku so, dass er sich in der Verpackung nicht umher bewegen kann.

11. Entfernen Sie den Akku zum Entsorgen vom Werkzeug, und entsorgen Sie ihn an einem sicheren Ort. Befolgen Sie die örtlichen Vorschriften bezüglich der Entsorgung von Akkus.

12. Verwenden Sie die Akkus nur mit den von Makita angegebenen Produkten. Das Einsetzen der Akkus in nicht konforme Produkte kann zu einem Brand, übermäßiger Hitzebildung, einer Explosion oder Auslaufen von Elektrolyt führen.

13. Soll das Werkzeug längere Zeit nicht benutzt werden, muss der Akku vom Werkzeug entfernt werden.

14. Bei und nach dem Gebrauch kann der Akku heiß werden, was Verbrennungen oder Niedertemperaturverbrennungen verursachen kann. Beachten Sie die Handhabung von heißen Akkus.

15. Berühren Sie nicht den Anschlusskontakt des Werkzeugs unmittelbar nach dem Gebrauch, da er heiß genug werden kann, um Verbrennungen zu verursachen.

16. Achten Sie darauf, dass sich keine Späne, Staub oder Schmutz in den Anschlusskontakten, Löchern und Nuten des Akkus absetzen. Es könnte sonst zu Erhitzung, Brandauslösung, Bersten und Funktionsstörungen des Werkzeugs oder des Akkus kommen, was zu Verbrennungen oder Personenschäden führen kann.

17. Wenn das Werkzeug den Einsatz in der Nähe einer Hochspannungs-Stromleitung nicht unterstützt, benutzen Sie den Akku nicht in der Nähe einer Hochspannungs-Stromleitung. Dies kann zu einer Funktionsstörung oder Betriebsstörung des Werkzeugs oder des Akkus führen.

18. Halten Sie die Batterie von Kindern fern.

## DIESE ANWEISUNGEN AUFBEWAHREN.

**⚠ VORSICHT:** Verwenden Sie nur Original-Makita-Akkus. Die Verwendung von Nicht-Original-Makita-Akkus oder von Akkus, die abgeändert worden sind, kann zum Bersten des Akkus und daraus resultierenden Bränden, Personenschäden und Beschädigung führen. Außerdem wird dadurch die Makita-Garantie für das Makita-Werkzeug und -Ladegerät ungültig.

## Hinweise zur Aufrechterhaltung der maximalen Akku-Nutzungsdauer

1. Laden Sie den Akku, bevor er vollkommen erschöpft ist. Schalten Sie das Werkzeug stets aus, und laden Sie den Akku, wenn Sie ein Nachlassen der Werkzeugleistung feststellen.
2. Unterlassen Sie erneutes Laden eines voll aufgeladenen Akkus. Überladen führt zu einer Verkürzung der Nutzungsdauer des Akkus.
3. Laden Sie den Akku bei Raumtemperatur zwischen 10 – 40 °C. Lassen Sie einen heißen Akku abkühlen, bevor Sie ihn laden.
4. Wenn Sie den Akku nicht benutzen, nehmen Sie ihn vom Werkzeug oder Ladegerät ab.
5. Der Akku muss geladen werden, wenn er lange Zeit (länger als sechs Monate) nicht benutzt wird.

# FUNKTIONSBESCHREIBUNG

**⚠ VORSICHT:** Vergewissern Sie sich vor der Durchführung von Einstellungen oder Funktionsprüfungen des Werkzeugs stets, dass das Werkzeug ausgeschaltet und der Akku abgenommen ist.

## Anbringen und Abnehmen des Akkus

**⚠ VORSICHT:** Schalten Sie das Werkzeug stets aus, bevor Sie den Akku anbringen oder abnehmen.

**⚠ VORSICHT:** Halten Sie das Werkzeug und den Akku beim Anbringen oder Abnehmen des Akkus sicher fest. Wenn Sie das Werkzeug und den Akku nicht sicher festhalten, können sie Ihnen aus der Hand rutschen, was zu einer Beschädigung des Werkzeugs und des Akkus und zu Körperverletzungen führen kann.

► **Abb.1:** 1. Rote Anzeige 2. Knopf 3. Akku

Ziehen Sie den Akku zum Abnehmen vom Werkzeug ab, während Sie den Knopf an der Vorderseite des Akkus verschieben.

Richten Sie zum Anbringen des Akkus dessen Führungsfeder auf die Nut im Gehäuse aus, und schieben Sie den Akku hinein. Schieben Sie ihn vollständig ein, bis er mit einem leisen Klicken einrastet. Wenn Sie die rote Anzeige sehen können, wie in der Abbildung gezeigt, ist der Akku nicht vollständig verriegelt.

**⚠ VORSICHT:** Schieben Sie den Akku stets bis zum Anschlag ein, bis die rote Anzeige nicht mehr sichtbar ist. Anderenfalls kann er aus dem Werkzeug herausfallen und Sie oder umstehende Personen verletzen.

**⚠ VORSICHT:** Unterlassen Sie Gewaltanwendung beim Anbringen des Akkus. Falls der Akku nicht reibungslos hineingleitet, ist er nicht richtig ausgerichtet.

## Anzeigen der Akku-Restkapazität

Drücken Sie die Prüftaste am Akku, um die Akku-Restkapazität anzuzeigen. Die Anzeigelampen leuchten wenige Sekunden lang auf.

► **Abb.2:** 1. Anzeigelampen 2. Prüftaste

Anzeigelampen			Restkapazität
Erleuchtet	Aus	Blinkend	
■	□	◐	75% bis 100%
■	■	■	
■	■	□	50% bis 75%
■	□	□	25% bis 50%
■	□	□	0% bis 25%
◐	□	□	Den Akku aufladen.
■	■	□	Möglicherweise liegt eine Funktionsstörung im Akku vor.
□	□	■	

**HINWEIS:** Abhängig von den Benutzungsbedingungen und der Umgebungstemperatur kann die Anzeige geringfügig von der tatsächlichen Kapazität abweichen.

**HINWEIS:** Die erste (äußerste linke) Anzeigelampe blinkt, wenn das Akku-Schutzsystem aktiv ist.

## Werkzeug/Akku-Schutzsystem

Das Werkzeug ist mit einem Werkzeug/Akku-Schutzsystem ausgestattet. Dieses System schaltet die Stromversorgung des Motors automatisch ab, um die Lebensdauer von Werkzeug und Akku zu verlängern. Das Werkzeug bleibt während des Betriebs automatisch stehen, wenn das Werkzeug einer der folgenden Bedingungen unterliegt:

► **Abb.3:** 1. Warnlampe

Warnlampe			Status
Farbe	Ein	Blinkend	
Grün	●	○	Überlastung
Rot	● (Werkzeug) / ● (Akku)	○	Überhitzung
Rot	○	○	Tiefentladung

**ANMERKUNG:** Abhängig von den Benutzungsbedingungen bleibt das Werkzeug ohne jegliche Anzeige automatisch stehen, falls Zweige oder Fremdkörper sich in dem Werkzeug verheddern. Schalten Sie in diesem Fall das Werkzeug aus, nehmen Sie den Akku ab, und beseitigen Sie dann verhedderte Zweige oder Fremdkörper mithilfe von Werkzeugen, wie z. B. einer Zange. Nachdem Sie die Zweige oder Fremdkörper beseitigt haben, installieren Sie den Akku, und schalten Sie das Werkzeug wieder ein.

## Überlastschutz

Falls das Werkzeug oder der Akku durch verhedderte Zweige oder sonstige Fremdkörper überlastet wird, bleibt das Werkzeug automatisch stehen, und die Warnlampe beginnt in Grün zu blinken.

Schalten Sie in dieser Situation das Werkzeug aus, und brechen Sie die Arbeit ab, die eine Überlastung des Werkzeugs verursacht hat. Schalten Sie dann das Werkzeug wieder ein, um es neu zu starten.

## Überhitzungsschutz für Werkzeug oder Akku

Wenn das Werkzeug oder der Akku überhitzt wird, bleibt das Werkzeug automatisch stehen. Wenn das Werkzeug überhitzt wird, leuchtet die Warnlampe in Rot auf. Wenn der Akku überhitzt wird, blinkt die Warnlampe in Rot. Lassen Sie das Werkzeug und/oder den Akku abkühlen, bevor Sie das Werkzeug wieder einschalten.

## Überentladungsschutz

Wenn die Akkukapazität niedrig wird, bleibt das Werkzeug automatisch stehen, und die Warnlampe beginnt in Rot zu blinken.

Falls das Werkzeug trotz Betätigung der Schalter nicht funktioniert, nehmen Sie den Akku vom Werkzeug ab, und laden Sie ihn auf.

## Schutz gegen andere Ursachen

Das Schutzsystem ist auch für andere Ursachen ausgelegt, die eine Beschädigung des Werkzeugs bewirken könnten, und ermöglicht automatisches Anhalten des Werkzeugs. Führen Sie alle folgenden Schritte aus, um die Ursachen zu beseitigen, wenn das Werkzeug zu einem vorübergehenden Stillstand oder Betriebsstopp gekommen ist.

1. Schalten Sie das Werkzeug aus und wieder ein, um es neu zu starten.
2. Laden Sie den/die Akku(s) auf, oder tauschen Sie ihn/sie gegen einen aufgeladenen Akku/aufgeladene Akkus aus.
3. Lassen Sie die Maschine und den/die Akku(s) abkühlen.

Falls die Wiederherstellung des Schutzsystems keine Besserung bringt, wenden Sie sich an Ihre lokale Makita-Kundendienststelle.

### Funktion der Hauptbetriebstaste

**⚠️ WARNUNG:** Aus Sicherheitsgründen ist dieses Werkzeug mit einem Hebel ausgestattet, der versehentliches Einschalten des Werkzeugs verhütet. Benutzen Sie das Werkzeug NIEMALS, wenn es durch einfache Betätigung des Auslöseschalters eingeschaltet werden kann, ohne den Hebel zu drücken. Lassen Sie das Werkzeug von einem unserer autorisierten Service-Center ordnungsgemäß reparieren, BEVOR Sie es weiter benutzen.

**⚠️ WARNUNG:** Der Hebel darf NIEMALS festgeklebt oder funktionsunfähig gemacht werden.

**⚠️ WARNUNG:** Vergewissern Sie sich vor dem Anbringen des Akkus am Werkzeug stets, dass der Auslöseschalter und der Hebel ordnungsgemäß funktionieren und beim Loslassen in die AUS-Stellung „OFF“ zurückkehren. Der Betrieb eines Werkzeugs mit fehlerhaftem Schalter kann zum Verlust der Kontrolle und zu schweren Personenschäden führen.

**⚠️ VORSICHT:** Legen Sie beim Tragen niemals Ihren Finger auf die Auslöseschalter. Anderenfalls kann das Werkzeug unbeabsichtigt anlaufen und Verletzungen verursachen.

**ANMERKUNG:** Betätigen Sie den Auslöseschalter nicht gewaltsam, ohne den Hebel zu drücken. Dies kann zu einer Beschädigung des Schalters führen.

Drücken Sie die Hauptbetriebstaste, um das Werkzeug einzuschalten. Um das Werkzeug auszuschalten, halten Sie die Hauptbetriebstaste gedrückt, bis die Drehzahlanzeigen erlöschen.

► **Abb.4:** 1. Hauptbetriebstaste

**HINWEIS:** Die Warnlampe blinkt, wenn der Auslöseschalter unter betriebsunfähigen Bedingungen betätigt wird. Die Warnlampe blinkt, wenn Sie den Hauptbetriebsschalter einschalten, während Sie den Hebel und den Auslöseschalter gedrückt halten.

**HINWEIS:** Dieses Werkzeug verwendet die Abschaltautomatik. Um unbeabsichtigtes Anlaufen zu vermeiden, wird der Hauptbetriebsschalter automatisch abgeschaltet, wenn der Auslöseschalter eine bestimmte Zeitlang nach dem Einschalten des Hauptbetriebsschalters nicht betätigt wird.










Um versehentliche Betätigung des Auslöseschalters zu verhüten, ist das Werkzeug mit dem Hebel ausgestattet. Um das Werkzeug zu starten, betätigen Sie zuerst den vorderen Auslöseschalter und dann den hinteren Auslöseschalter, während Sie den Hebel drücken. Wenn Sie einen der Auslöseschalter loslassen, bleibt das Werkzeug stehen.

► **Abb.5:** 1. Hebel 2. Hinterer Auslöseschalter  
3. Vorderer Auslöseschalter

### Drehzahleinstellung

Sie können die Werkzeugdrehzahl durch Drücken der Hauptbetriebstaste einstellen. Mit jedem Drücken der Hauptbetriebstaste ändert sich die Drehzahlstufe.

► **Abb.6:** 1. Drehzahlanzeige 2. Hauptbetriebstaste

Drehzahlanzeige	Betriebsart	Hubzahl
3  2  1 	Hoch	5.000 min <sup>-1</sup>
3  2  1 	Mittel	3.600 min <sup>-1</sup>
3  2  1 	Niedrig	2.000 min <sup>-1</sup>

### Drehrichtungs-Umkehrtaste für Fremdkörperbeseitigung

**⚠️ WARNUNG:** Falls die verhedderten Zweige oder Fremdkörper nicht durch die Umkehrfunktion beseitigt werden können, schalten Sie das Werkzeug aus, nehmen Sie den Akku ab, und beseitigen Sie dann verhedderte Zweige oder Fremdkörper mithilfe von Werkzeugen, wie z. B. einer Zange. Werden Ausschalten des Werkzeugs und Abnehmen des Akkus unterlassen, kann es zu schweren Personenschäden durch versehentliches Anlaufen kommen. Beseitigen der verhedderten Zweige oder Fremdkörper von Hand kann zu einer Verletzung führen, da sich die Schermesser als Reaktion auf die Beseitigung bewegen können.

Dieses Werkzeug besitzt eine Umkehrtaste, mit der die Bewegungsrichtung der Schermesser gewechselt werden kann. Sie ist nur dazu vorgesehen, im Werkzeug verfangene Zweige und Fremdkörper zu beseitigen. Um die Bewegung der Schermesser umzukehren, drücken Sie die Umkehrtaste, wenn die Schermesser still stehen. Betätigen Sie dann den vorderen Auslöseschalter und anschließend den hinteren Auslöseschalter, während Sie den Hebel drücken. Die Geschwindigkeitsanzeigen beginnen zu blinken, und die Schermesser bewegen sich in Rückwärtsrichtung. Nachdem verhedderte Zweige und Fremdkörper beseitigt worden sind, schaltet das Werkzeug auf die reguläre Bewegung zurück, worauf die Geschwindigkeitsanzeigen zu blinken aufhören und aufleuchten.

- **Abb.7:** 1. Drehzahlanzeige  
2. Drehrichtungs-Umkehrtaste

**HINWEIS:** Falls verhedderte Zweige oder Unrat nicht entfernt werden können, lassen Sie die Auslöseschalter los, drücken Sie die Umkehrtaste, und betätigen Sie dann die Auslöseschalter, bis sie entfernt sind.

**HINWEIS:** Wenn Sie die Umkehrtaste antippen, während sich die Schermesser noch bewegen, kommt das Werkzeug zum Stillstand und ist dann für Rückwärtsbewegung bereit.

## Elektronikfunktion

Das Werkzeug ist für komfortablen Betrieb mit Elektronikfunktionen ausgestattet.

- **Konstantdrehzahlregelung**  
Die Drehzahlregelung liefert eine konstante Drehzahl ungeachtet der Lastbedingungen.
- **Elektrische Bremse**  
Dieses Werkzeug ist mit einer elektrischen Bremse ausgestattet. Falls das Werkzeug ständig versagt, die Schermesser nach dem Loslassen des Auslöseschalters schnell anzuhalten, lassen Sie das Werkzeug von einem autorisierten Makita-Servicecenter warten.
- **Funktion zur Verhütung eines versehentlichen Wiederanlaufs**  
Das Werkzeug startet nicht, selbst wenn Sie den Akku bei betätigtem Auslöseschalter einsetzen. Zum Starten des Werkzeugs lassen Sie den Auslöseschalter zunächst los, bevor Sie ihn betätigen.

## MONTAGE

**⚠ VORSICHT:** Vergewissern Sie sich vor der Ausführung von Arbeiten am Werkzeug stets, dass das Werkzeug ausgeschaltet und der Akku abgenommen ist.

**⚠ VORSICHT:** Tragen Sie beim Austauschen der Schermesser immer Handschuhe, damit Ihre Hände nicht in direkten Kontakt mit den Messern kommen.

**ANMERKUNG:** Wischen Sie beim Auswechseln der Schermesser kein Schmierfett von Zahnrad und Kurbel ab.

## Montieren oder Demontieren der Schermesser

**⚠ VORSICHT:** Bringen Sie die Messerabdeckung an, bevor Sie die Schermesser demontieren oder montieren.

Sie können Schermesser von 600 mm oder 750 mm an Ihrem Werkzeug montieren.

**HINWEIS:** Wenn Sie Schermesser einer anderen Länge benutzen wollen, ersetzen Sie den Spänefänger durch einen für die Messer passenden.

1. Entfernen Sie vier Schrauben (für UH013G) bzw. fünf Schrauben (für UH014G), und nehmen Sie dann den Spänefänger vom Werkzeug ab.

**Für UH013G**

- **Abb.8:** 1. Spänefänger 2. Schraube

**Für UH014G**

- **Abb.9:** 1. Spänefänger 2. Schraube

2. Legen Sie das Werkzeug umgedreht ab, und entfernen Sie dann sechs Schrauben.

- **Abb.10:** 1. Schraube

3. Entfernen Sie die Abdeckung und die Platte.

- **Abb.11:** 1. Abdeckung 2. Platte

**HINWEIS:** Die Platte kann auf der Abdeckung verbleiben.

4. Entfernen Sie die Pleuelstange und das Lager.

- **Abb.12:** 1. Pleuelstange 2. Lager

**HINWEIS:** Die Pleuelstange oder das Lager kann an der Abdeckung verbleiben.

5. Entfernen Sie drei Schrauben, drei Hülsen und das Filzkissen, und nehmen Sie dann die Schermesser ab.

- **Abb.13:** 1. Schraube 2. Hülse 3. Filzkissen  
4. Schermesser

**ANMERKUNG:** Achten Sie darauf, dass die Schrauben nicht verloren gehen.

6. Entfernen Sie die Messerabdeckung, und befestigen Sie sie dann an den neuen Schermessern.

- **Abb.14**

7. Stellen Sie die Kurbel so ein, dass zwei Löcher auf der Ausrichtlinie fluchten.

- **Abb.15:** 1. Loch 2. Ausrichtlinie

8. Richten Sie die Zapfen an den Schermessern an derselben Position senkrecht aus.

- **Abb.16:** 1. Zapfen

9. Führen Sie die in Schritt 5 entfernte Schraube in die Löcher der Messerabdeckung und der Schermesser ein, um die Schermesser provisorisch zu fixieren, und bringen Sie dann das Filzkissen an den Schermessern an.

- **Abb.17:** 1. Schraube 2. Filzkissen 3. Loch

10. Führen Sie den Zapfen an den Schermessern in das Pleuelauge ein, und richten Sie dann die Position des Filzkissens auf die Löcher am Werkzeug aus. Bringen Sie zwei neue Hülsen an.  
► **Abb.18:** 1. Filzkissen 2. Zapfen 3. Loch 4. Hülse

**ANMERKUNG:** Tragen Sie ein wenig Schmierfett auf den Innenrand des Pleuelauges auf.

**ANMERKUNG:** Achten Sie darauf, dass die Hülsen nicht verloren gehen.

11. Richten Sie die Löcher an den Hülsen und Schermessern auf die Löcher am Werkzeug aus, und ziehen Sie dann zwei Schrauben an, um die Schermesser provisorisch zu fixieren.  
► **Abb.19:** 1. Schraube
12. Entfernen Sie die Schraube, die Sie in Schritt 9 in das Loch der Schermesser eingeführt haben, und verschieben Sie dann die Messerabdeckung.  
► **Abb.20:** 1. Schraube
13. Bringen Sie eine neue Hülse an.  
► **Abb.21:** 1. Hülse
14. Ziehen Sie die Schraube zusammen mit der Hülse an, um die Schermesser zu fixieren.  
► **Abb.22:** 1. Schraube
15. Ziehen Sie die in Schritt 11 provisorisch fixierten Schrauben fest.
16. Bringen Sie das Lager und die Pleuelstange an.  
► **Abb.23:** 1. Pleuelstange 2. Kleines Auge 3. Lager

**ANMERKUNG:** Tragen Sie ein wenig Schmierfett auf den Innenrand der kleinen Pleuelstange auf.

**ANMERKUNG:** Vergewissern Sie sich, dass der Zapfen an den Schermessern einwandfrei in der kleinen Pleuelstange sitzt.

17. Bringen Sie die Platte an.  
► **Abb.24:** 1. Zapfen 2. Platte

**ANMERKUNG:** Vergewissern Sie sich, dass der Zapfen an den Schermessern einwandfrei im Langloch der Platte sitzt.

18. Bringen Sie die Abdeckung an, und ziehen Sie dann sechs Schrauben fest.  
► **Abb.25:** 1. Schraube 2. Abdeckung
19. Befestigen Sie den Spänefänger am Werkzeug, indem Sie vier Schrauben (für UH013G) bzw. fünf Schrauben (für UH014G) anziehen.

Für UH013G

- **Abb.26:** 1. Spänefänger 2. Schraube

Für UH014G

- **Abb.27:** 1. Spänefänger 2. Schraube

**ANMERKUNG:** Falls die Schermesser sich nicht reibungslos bewegen, stehen die Schermesser nicht richtig mit den Pleuelstangen in Eingriff. Montieren Sie die Schermesser erneut.

**ANMERKUNG:** Falls andere Teile außer den Schermessern, wie z. B. die Pleuelstangen, verschlissen sind, wenden Sie sich für einen Teileaustausch oder Reparaturen an ein autorisiertes Makita-Servicecenter.

## Abnehmen und Anbringen des Spänefängers

**⚠ VORSICHT:** Tragen Sie beim Montieren oder Demontieren des Spänefängers immer Handschuhe, damit Ihre Hände nicht in direkten Kontakt mit den Schermessern kommen.

Der Spänefänger sammelt ausgeworfene Blätter auf und erleichtert die Reinigung nach der Arbeit erheblich. Um den Spänefänger abzunehmen, entfernen Sie vier Schrauben (für UH013G) bzw. fünf Schrauben (für UH014G), und nehmen Sie dann den Spänefänger vom Werkzeug ab. Wenden Sie zur Montage des Spänefängers das Demontageverfahren umgekehrt an.

Für UH013G

- **Abb.28:** 1. Spänefänger 2. Schraube

Für UH014G

- **Abb.29:** 1. Spänefänger 2. Schraube

## BETRIEB

**⚠ WARNUNG:** Halten Sie Ihre Hände von den Schermessern fern.

**⚠ VORSICHT:** Vermeiden Sie den Betrieb des Werkzeugs bei sehr heißem Wetter so weit wie praktikabel. Nehmen Sie beim Betreiben des Werkzeugs Rücksicht auf Ihre körperliche Verfassung.

**⚠ VORSICHT:** Lassen Sie beim Trimmen Vorsicht walten, damit die Messer nicht versehentlich einen Metallzaun oder andere harte Gegenstände berühren. Anderenfalls können die Schermesser brechen und eine Verletzung verursachen.

**⚠ VORSICHT:** Achten Sie darauf, dass die Schermesser nicht den Boden berühren.

Anderenfalls kann das Werkzeug zurückschnellen und eine Verletzung verursachen.

**⚠ VORSICHT:** Strecken Sie sich beim Schneiden mit einer Heckschere, besonders auf einer Leiter, nicht zu weit nach vorn, da dies äußerst gefährlich ist. Schneiden Sie nicht, während Sie auf einer wackligen oder instabilen Unterlage stehen.

**ANMERKUNG:** Versuchen Sie nicht, Äste von mehr als 10 mm Durchmesser mit dem Werkzeug zu schneiden. Schneiden Sie Äste vor Gebrauch dieses Werkzeugs mit Astschneidern auf 10 cm unter der Schnitthöhe.

- **Abb.30:** (1) Schnitthöhe (2) 10 cm

**ANMERKUNG:** Schneiden Sie keine toten Bäume oder ähnliche harte Objekte um. Dadurch kann das Werkzeug beschädigt werden.

**ANMERKUNG:** Schneiden Sie kein Gras oder Unkraut, während Sie die Schermesser benutzen. Gras oder Unkraut können sich in den Schermessern verheddern.

Halten Sie den vorderen Handgriff mit Ihrer rechten Hand, und den hinteren Handgriff mit Ihrer linken Hand fest. Betätigen Sie zuerst den vorderen Auslöseschalter, dann den hinteren Auslöseschalter, während Sie den Hebel drücken, und bewegen Sie dann das Werkzeug vorwärts.

► **Abb.31**

Bei grundlegendem Betrieb neigen Sie die Schermesser in die Schneidrichtung, und bewegen Sie das Werkzeug ruhig und langsam mit einer Vorschubrate von 3 bis 4 Sekunden pro Meter vor.

► **Abb.32**

Um die Oberseite einer Hecke gerade zu schneiden, binden Sie eine Schnur in der gewünschten Höhe fest, und schneiden Sie daran entlang.

► **Abb.33**

Der Spänefänger sammelt ausgeworfene Blätter auf und erleichtert die Reinigung nach der Arbeit erheblich.

► **Abb.34**

Um eine gerade Seitenkante einer Hecke zu erhalten, schneiden Sie von unten nach oben.

► **Abb.35**

Wenn Sie eine runde Form schneiden wollen (Trimmen von Buchsbaum oder Rhododendron usw.), trimmen Sie von der Wurzel nach oben, um eine schöne Ausführung zu erhalten.

► **Abb.36**

## WARTUNG

**⚠ VORSICHT:** Vergewissern Sie sich vor der Durchführung von Inspektions- oder Wartungsarbeiten stets, dass das Werkzeug ausgeschaltet und der Akku abgenommen ist.

Um die SICHERHEIT und ZUVERLÄSSIGKEIT dieses Produkts zu gewährleisten, sollten Reparaturen und andere Wartungs- oder Einstellarbeiten nur von Makita-Vertragswerkstätten oder Makita-Kundendienstzentren unter ausschließlicher Verwendung von Makita-Originalersatzteilen ausgeführt werden.

### Reinigen des Werkzeugs

Reinigen Sie das Werkzeug, indem Sie es mit einem trockenen oder einem in Seifenwasser getauchten und ausgewrungenen Tuch abwischen.

**ANMERKUNG:** Verwenden Sie auf keinen Fall Benzin, Waschbenzin, Verdünnern, Alkohol oder dergleichen. Solche Mittel können Verfärbung, Verformung oder Rissbildung verursachen.

### Schermesserwartung

Tragen Sie vor dem Betrieb oder einmal pro Stunde während der Arbeit Öl von niedriger Viskosität (Maschinenöl oder Sprühschmieröl) auf die Schermesser auf.

► **Abb.37**

Entfernen Sie Staub nach dem Betrieb mit einer Drahtbürste von den Schermessern, wischen Sie die Schermesser mit einem Tuch ab, und tragen Sie dann Öl von niedriger Viskosität (Maschinenöl oder Sprühschmieröl) auf die Schermesser auf.

► **Abb.38**

**ANMERKUNG:** Waschen Sie die Schermesser nicht in Wasser. Dadurch kann Rostbildung gefördert oder eine Beschädigung des Werkzeugs verursacht werden.

**ANMERKUNG:** Schmutz und Korrosion verursachen übermäßige Messerreibung und verkürzen die Betriebszeit pro Akkuladung.

### Lagerung

Das Aufhängerloch im Unterteil des Werkzeugs ist praktisch, um das Werkzeug an einen Nagel oder eine Schraube an der Wand zu hängen.

Nehmen Sie den Akku vom Werkzeug ab, und bringen Sie dann die Messerabdeckung an den Schermessern an, damit die Messer nicht ungeschützt sind. Lagern Sie das Werkzeug außer Reichweite von Kindern. Lagern Sie das Werkzeug an einem Ort, der weder Feuchtigkeit noch Regen ausgesetzt ist.

► **Abb.39:** 1. Loch

### Schleifen der Schermesser

**ANMERKUNG:** Falls die Schermesser durch Schleifen beträchtlich verformt sind, ersetzen Sie die Schermesser durch neue.

1. Bringen Sie den Akku am Werkzeug an.
  2. Schalten Sie das Werkzeug ein, und starten Sie es, so dass jeweils ein Obermesser und ein Untermesser abwechselnd positioniert sind.
- **Abb.40**
3. Schalten Sie das Werkzeug aus, und nehmen Sie den Akku vom Werkzeug ab.
  4. Setzen Sie eine Feile in einem Winkel von 45° an, und schleifen Sie das Obermesser aus 3 Richtungen mit der Feile.
- **Abb.41:** (1) Feile (2) 45°

**⚠ VORSICHT:** Bevor Sie die Schermesser schleifen, vergewissern Sie sich, dass das Werkzeug ausgeschaltet und der Akku vom Werkzeug abgenommen ist.

5. Legen Sie das Werkzeug umgedreht ab, und entfernen Sie dann die Grate mit dem Abziehstein von den Schermessern.
- **Abb.42:** 1. Abziehstein
6. Setzen Sie die Feile in einem Winkel von 45° an, und schleifen Sie das Untermesser aus 3 Richtungen mit der Feile.
  7. Bringen Sie das Werkzeug wieder in die Normalposition, und entfernen Sie dann die Grate mit dem Abziehstein von den Schermessern.

## Fettschmierung

**Schmierintervall:** Alle 50 Betriebsstunden

1. Entfernen Sie die Schraube zum Schmieren aus der Bohrung.

► **Abb.43:** 1. Schraube

2. Entfernen Sie die Kappe von der Fetttube. Richten Sie den Auslass der Fetttube auf die Öffnung in der Abdeckung aus, und drücken Sie dann den Auslass der Fetttube auf die Öffnung.

► **Abb.44:** 1. Fetttube 2. Loch

3. Füllen Sie das Fett in das Werkzeug ein (ca. 5 g als Richtlinie).

4. Ziehen Sie die Schraube an.

## FEHLERSUCHE

Bevor Sie den Reparatordienst anrufen, führen Sie zunächst Ihre eigene Inspektion durch. Falls Sie ein Problem finden, das nicht in der Anleitung erläutert wird, versuchen Sie nicht, das Werkzeug zu zerlegen. Wenden Sie sich stattdessen an autorisierte Makita-Kundendienstzentren, und achten Sie darauf, dass stets Makita-Ersatzteile für Reparaturen verwendet werden.

Zustand der Unregelmäßigkeit	Wahrscheinliche Ursache (Funktionsstörung)	Abhilfemaßnahme
Der Motor läuft nicht.	Der Akku ist nicht eingesetzt.	Den Akku einsetzen.
	Akkustörung (Unterspannung)	Den Akku aufladen. Falls Laden nichts nützt, den Akku austauschen.
	Das Antriebssystem funktioniert nicht korrekt.	Wenden Sie sich bezüglich einer Reparatur an Ihr autorisiertes Kundendienstzentrum.
Der Motor bleibt nach kurzer Zeit stehen.	Der Ladezustand des Akkus ist niedrig.	Den Akku aufladen. Falls Laden nichts nützt, den Akku austauschen.
	Überhitzung.	Brechen Sie die Benutzung des Werkzeugs ab, um es abkühlen zu lassen.
Das Werkzeug erreicht die Maximaldrehzahl nicht.	Der Akku ist falsch eingesetzt.	Setzen Sie den Akku gemäß der Beschreibung in dieser Anleitung ein.
	Die Akkuleistung lässt nach.	Den Akku aufladen. Falls Laden nichts nützt, den Akku austauschen.
	Das Antriebssystem funktioniert nicht korrekt.	Wenden Sie sich bezüglich einer Reparatur an Ihr autorisiertes Kundendienstzentrum.
Die Schermesser bewegen sich nicht: ⇒ Die Maschine unverzüglich stoppen!	Fremdkörper sind zwischen den Schermessern eingeklemmt.	1. Benutzen Sie die Umkehrtaste. 2. Schalten Sie das Werkzeug aus, nehmen Sie den Akku ab, und beseitigen Sie dann die Fremdkörper mithilfe von Werkzeugen, wie z. B. einer Zange.
	Das Antriebssystem funktioniert nicht korrekt.	Wenden Sie sich bezüglich einer Reparatur an Ihr autorisiertes Kundendienstzentrum.
Ungewöhnliche Vibration: ⇒ Die Maschine unverzüglich stoppen!	Die Schermesser sind beschädigt, verbogen oder abgenutzt.	Tauschen Sie die Schermesser aus.
	Das Antriebssystem funktioniert nicht korrekt.	Wenden Sie sich bezüglich einer Reparatur an Ihr autorisiertes Kundendienstzentrum.
Schermesser und Motor bleiben nicht stehen: ⇒ Den Akku unverzüglich entfernen!	Elektrische Funktionsstörung.	Entfernen Sie den Akku, und wenden Sie sich bezüglich einer Reparatur an Ihr autorisiertes Kundendienstzentrum.

## SONDERZUBEHÖR

**⚠ VORSICHT:** Die folgenden Zubehörteile oder Vorrichtungen werden für den Einsatz mit dem in dieser Anleitung beschriebenen Makita-Werkzeug empfohlen. Die Verwendung anderer Zubehörteile oder Vorrichtungen kann eine Verletzungsgefahr darstellen. Verwenden Sie Zubehörteile oder Vorrichtungen nur für ihren vorgesehenen Zweck.

- Schermessereinheit
- Spänefänger
- Fetttube
- Original-Makita-Akku und -Ladegerät

**HINWEIS:** Manche Teile in der Liste können als Standardzubehör im Werkzeugsatz enthalten sein. Sie können von Land zu Land unterschiedlich sein.

Wenn Sie weitere Einzelheiten bezüglich dieser Zubehörteile benötigen, wenden Sie sich bitte an Ihre Makita-Kundendienststelle.

## DATI TECNICI

Modello:	UH013G	UH014G
Lunghezza della lama	600 mm	750 mm
Colpi al minuto	2.000/3.600/5.000 min <sup>-1</sup>	
Lunghezza complessiva	1.085 mm	1.225 mm
Tensione nominale	Da 36 V a 40 V CC max	
Peso netto	Da 3,9 a 4,5 kg	Da 4,0 a 4,7 kg
Grado di protezione	IPX4	

- A causa del nostro programma continuativo di ricerca e sviluppo, i dati tecnici sono soggetti a modifiche senza preavviso.
- I dati tecnici possono variare da nazione a nazione.
- Il peso può variare a seconda dell'accessorio o degli accessori, inclusa la cartuccia della batteria. La combinazione più leggera e quella più pesante, secondo la procedura EPTA 01/2014, sono indicate nella tabella.

## Cartuccia della batteria e caricabatterie applicabili

Cartuccia della batteria	BL4020* / BL4025* / BL4040* / BL4050F *: Batteria consigliata
Caricabatterie	DC40RA / DC40RB / DC40RC

- Alcune cartucce delle batterie e alcuni caricabatterie elencati sopra potrebbero non essere disponibili a seconda della propria area geografica di residenza.

**⚠ AVVERTIMENTO:** Utilizzare solo le cartucce delle batterie e i caricabatterie elencati sopra. L'utilizzo di altre cartucce delle batterie e di altri caricabatterie potrebbe causare lesioni personali e/o un incendio.

## Fonte di alimentazione collegata via cavo consigliata

Gruppo di alimentazione portatile	PDC01 / PDC1200
-----------------------------------	-----------------

- La fonte o le fonti di alimentazione collegate via cavo elencate sopra potrebbero non essere disponibili, a seconda della propria area geografica di residenza.
- Prima di utilizzare la fonte di alimentazione collegata via cavo, leggere le istruzioni e le indicazioni delle avvertenze riportate su quest'ultima.

## Simboli

Le figure seguenti mostrano i simboli utilizzati per l'apparecchio. Accertarsi di comprenderne il significato prima dell'uso.



Leggere il manuale d'uso.



PERICOLO: tenere le mani lontane dalla lama.



Indossare occhiali di sicurezza.



Solo per le nazioni dell'EU  
A causa della presenza di componenti pericolosi nelle apparecchiature, i rifiuti di apparecchiature elettriche ed elettroniche, accumulatori e batterie potrebbero produrre un impatto negativo sull'ambiente e sulla salute umana.

Non smaltire elettrodomestici elettrici ed elettronici o batterie insieme ai rifiuti domestici! In conformità alla direttiva europea sui rifiuti di apparecchiature elettriche ed elettroniche (RAEE), sugli accumulatori e le batterie, nonché sui rifiuti di accumulatori e batterie, e al suo adattamento alle normative nazionali, i rifiuti di apparecchiature elettriche ed elettroniche, batterie e accumulatori vanno conservati separatamente e conferiti a un punto di raccolta separato per i rifiuti comunali, operando in conformità alle normative per la protezione dell'ambiente.

Tale requisito viene indicato mediante il simbolo del bidone della spazzatura con ruote barrato apposto sull'apparecchio.

## Utilizzo previsto

L'utensile è destinato alla rifilatura delle siepi.



## Rumore

Standard applicabile : EN62841-4-2

Modello	Livello di pressione sonora		Livello di potenza sonora	
	L <sub>pA</sub> (dB(A))	Incertezza K (dB(A))	L <sub>WA</sub> (dB(A))	Incertezza K (dB(A))
UH013G	80	3	91	3
UH014G	81	3	92	3

**NOTA:** Il valore o i valori dichiarati delle emissioni di rumori sono stati misurati in conformità a un metodo standard di verifica, e possono essere utilizzati per confrontare un utensile con un altro.

**NOTA:** Il valore o i valori dichiarati delle emissioni di rumori possono venire utilizzati anche per una valutazione preliminare dell'esposizione.

**⚠AVVERTIMENTO:** Indossare protezioni per le orecchie.

**⚠AVVERTIMENTO:** L'emissione di rumori durante l'utilizzo effettivo dell'utensile elettrico può variare rispetto al valore o ai valori dichiarati, a seconda dei modi in cui viene utilizzato l'utensile e specialmente a seconda di che tipo di pezzo venga lavorato.

**⚠AVVERTIMENTO:** Accertarsi di identificare misure di sicurezza per la protezione dell'operatore che siano basate su una stima dell'esposizione nelle condizioni effettive di utilizzo (tenendo conto di tutte le parti del ciclo operativo, ad esempio del numero di spegnimenti dell'utensile e di quando giri a vuoto, oltre al tempo di attivazione).

## Vibrazioni

Valore totale delle vibrazioni (somma vettoriale triassiale) determinato in base allo standard EN62841-4-2:

Modello	Maniglia anteriore		Maniglia posteriore	
	ah (m/s <sup>2</sup> )	Incertezza K (m/s <sup>2</sup> )	ah (m/s <sup>2</sup> )	Incertezza K (m/s <sup>2</sup> )
UH013G	2,5	1,5	2,5 m/s <sup>2</sup> o inferiore	1,5
UH014G	3,2	1,5	2,5 m/s <sup>2</sup> o inferiore	1,5

**NOTA:** Il valore o i valori complessivi delle vibrazioni dichiarati sono stati misurati in conformità a un metodo standard di verifica, e possono essere utilizzati per confrontare un utensile con un altro.

**NOTA:** Il valore o i valori complessivi delle vibrazioni dichiarati possono venire utilizzati anche per una valutazione preliminare dell'esposizione.

**⚠AVVERTIMENTO:** L'emissione delle vibrazioni durante l'utilizzo effettivo dell'utensile elettrico può variare rispetto al valore o ai valori dichiarati, a seconda dei modi in cui viene utilizzato l'utensile, specialmente a seconda di che tipo di pezzo venga lavorato.

**⚠AVVERTIMENTO:** Accertarsi di identificare misure di sicurezza per la protezione dell'operatore che siano basate su una stima dell'esposizione nelle condizioni effettive di utilizzo (tenendo conto di tutte le parti del ciclo operativo, ad esempio del numero di spegnimenti dell'utensile e di quando giri a vuoto, oltre al tempo di attivazione).

## Dichiarazione di conformità CE

*Solo per i paesi europei*

La dichiarazione di conformità CE è inclusa nell'Allegato A al presente manuale di istruzioni.

## AVVERTENZE DI SICUREZZA

### Avvertenze generali relative alla sicurezza dell'utensile elettrico

**⚠AVVERTIMENTO:** Leggere tutte le avvertenze di sicurezza, le istruzioni, le illustrazioni e i dati tecnici forniti con il presente utensile elettrico. La mancata osservanza di tutte le istruzioni elencate di seguito potrebbe risultare in scosse elettriche, incendi e/o gravi lesioni personali.

# Conservare tutte le avvertenze e le istruzioni come riferimento futuro.

Il termine "utensile elettrico" nelle avvertenze si riferisce sia all'utensile elettrico (cablato) nel funzionamento alimentato da rete elettrica che all'utensile elettrico (a batteria) nel funzionamento alimentato a batteria.

## Avvertenze di sicurezza relative ai taglia siepi a batteria

- Tenere tutte le parti del corpo lontane dalla lama. Non rimuovere il materiale tagliato né tenere in mano il materiale da tagliare quando le lame sono in movimento.** Le lame continuano a muoversi dopo la disattivazione dell'interruttore. Un momento di disattenzione durante il funzionamento del taglia siepi potrebbe risultare in gravi lesioni personali.
- Trasportare il taglia siepi tenendolo per il manico con la lama arrestata e facendo attenzione a non azionare alcun interruttore di accensione.** Se si trasporta correttamente il taglia siepi, si riduce la possibilità di avvii accidentali e delle conseguenti lesioni personali dovute alle lame.
- Quando si intende trasportare o riporre il taglia siepi, applicare sempre il coprilama.** Se si maneggia correttamente il taglia siepi, si riduce la possibilità di lesioni personali dovute alle lame.
- Quando si intende rimuovere materiale inceppato o sottoporre a interventi di assistenza l'unità, accertarsi che tutti gli interruttori di accensione siano disattivati e che la cartuccia della batteria sia stata rimossa o scollegata.** L'azionamento imprevisto del taglia siepi durante la rimozione di materiale inceppato o l'esecuzione di interventi di assistenza potrebbe risultare in gravi lesioni personali.
- Mantenere il taglia siepi solo mediante le superfici di impugnatura isolate, poiché la lama potrebbe entrare in contatto con cablaggi nascosti.** Qualora le lame entrino in contatto con un filo elettrico sotto tensione, potrebbero mettere sotto tensione le parti metalliche esposte del taglia siepi e dare una scossa elettrica all'operatore.
- Tenere tutti i cavi elettrici e di altro genere lontani dall'area di taglio.** Nelle siepi o nei cespugli potrebbero essere nascosti cavi elettrici o di altro genere, che potrebbero venire tagliati accidentalmente dalla lama.
- Evitare di utilizzare il taglia siepi in condizioni meteorologiche avverse, specialmente quando sussiste il rischio di fulmini.** In tal modo si riduce il rischio di venire colpiti da un fulmine.

## Istruzioni di sicurezza aggiuntive

### Preparazione

- Prima di utilizzare l'utensile, verificare l'eventuale presenza di corpi estranei nelle siepi e nei cespugli, ad esempio recinzioni in fil di ferro o cablaggi nascosti.**

- L'utensile non deve essere utilizzato da bambini o giovani al di sotto dei 18 anni di età.** I giovani di età superiore ai 16 anni possono venire esentati da questa restrizione se stanno seguendo un addestramento sotto la supervisione di un esperto.
- Chi utilizza il prodotto per la prima volta dovrebbe farsi mostrare da un utente esperto come utilizzare l'utensile.**
- Utilizzare l'utensile solo se si è in buone condizioni fisiche.** In condizioni di stanchezza, il livello di attenzione si riduce. Fare particolarmente attenzione alla fine di una giornata di lavoro. Effettuare tutti i lavori con calma e con attenzione. L'utente è responsabile per qualsiasi danno arrecato a terzi.
- Non utilizzare mai l'utensile se si è sotto l'effetto di alcol, droghe o farmaci.**
- I quanti da lavoro in pelle robusta fanno parte dell'equipaggiamento di base dell'utensile, e devono essere sempre indossati quando si lavora con quest'ultimo. Indossare anche scarpe robuste con soles antiscivolo.**
- Prima di iniziare il lavoro, accertarsi che l'utensile sia in condizioni operative ottimali e sicure. Accertarsi che le protezioni siano applicate correttamente. L'utensile non va utilizzato se non è stato montato completamente.**

### Funzionamento

- Mantenere saldamente l'utensile con entrambe le mani, quando lo si utilizza.**
- L'utensile è destinato a essere utilizzato dall'operatore al livello del suolo. Non utilizzare l'utensile su scale a pioli o altri supporti instabili di alcun genere.**
- PERICOLO - Tenere le mani lontane dalla lama.** Il contatto con la lama causa gravi lesioni personali.
- Accertarsi di avere un equilibrio saldo sui piedi, prima di iniziare l'operazione.**
- Non far funzionare l'utensile a vuoto inutilmente.**
- Qualora la lama a cesoie entri in contatto con una recinzione o un altro oggetto duro, spegnere immediatamente l'utensile e rimuovere la cartuccia della batteria. Controllare le lame alla ricerca di eventuali danni e sostituirle immediatamente, qualora siano danneggiate.**
- Prima di controllare le lame a cesoie, riparare guasti o rimuovere materiale incastrato nelle lame a cesoie, spegnere sempre l'utensile e rimuovere la cartuccia della batteria.**
- Non puntare mai le lame a cesoie verso se stessi o altri.**
- Qualora le lame smettano di muoversi a causa di corpi estranei incastrati tra le lame durante l'uso, spegnere l'utensile e rimuovere la cartuccia della batteria, quindi rimuovere i corpi estranei utilizzando degli utensili, ad esempio delle pinze. La rimozione dei corpi estranei con le mani potrebbe causare lesioni personali, in quanto le lame potrebbero muoversi in risposta alla rimozione dei corpi estranei.**
- Quando si utilizza l'utensile su suolo fangoso, pendii bagnati o ubicazioni scivolose, fare attenzione al proprio appoggio sui piedi.**

11. Non immergere l'utensile in una pozzanghera.
12. Non lasciare l'utensile incustodito all'aperto sotto la pioggia.

#### Sicurezza elettrica e della batteria

1. Evitare gli ambienti pericolosi. Non utilizzare l'utensile in luoghi umidi o bagnati né esporlo alla pioggia. La penetrazione di acqua nell'utensile incrementa il rischio di scosse elettriche.
2. Non smaltire le batterie nel fuoco. La cella potrebbe esplodere. Controllare le normative locali per eventuali istruzioni speciali relative allo smaltimento.
3. Non aprire né fare a pezzi le batterie. L'elettrolita rilasciato è corrosivo, e potrebbe causare danni agli occhi o alla pelle. Inoltre, potrebbe essere tossico, se inghiottito.
4. Non caricare la batteria sotto la pioggia o in condizioni di bagnato.
5. Non caricare la batteria all'aperto.
6. Non maneggiare con le mani bagnate la carica-batterie, inclusa la spina del caricabatterie e i terminali di quest'ultimo.
7. Non sostituire la batteria con le mani bagnate.
8. Non sostituire la batteria sotto la pioggia.
9. Non far bagnare i terminali della batteria con liquidi, ad esempio con acqua, né sommergere la batteria. Non lasciare la batteria sotto la pioggia e non caricarla, utilizzarla o riporla in un'ubicazione umida o bagnata. Qualora i terminali si bagnino o del liquido penetri all'interno della batteria, quest'ultima potrebbe venire cortocircuitata, e sussiste il rischio di surriscaldamento, incendio o esplosione.
10. Dopo aver rimosso la batteria dall'utensile o dai caricabatterie, accertarsi di applicare il cappuccio della batteria su quest'ultima e di riporre la batteria in un'ubicazione asciutta.
11. Qualora la cartuccia della batteria si bagni, far fuoriuscire tutta l'acqua dall'interno, quindi pulirla con un panno asciutto. Far asciugare completamente la cartuccia della batteria in un luogo asciutto, prima dell'uso.

#### Manutenzione e conservazione

1. Spegnerne l'utensile e rimuovere la cartuccia della batteria prima di effettuare qualsiasi lavoro di manutenzione.
2. Quando si intende spostare l'utensile in un'altra ubicazione, anche durante il lavoro, rimuovere sempre la cartuccia della batteria e applicare il coprilama sulle lame a cesoie. Non portare né trasportare mai l'utensile con le lame in funzione. Non afferrare mai le lame con le mani.
3. Pulire l'utensile e particolarmente le lame a cesoie dopo l'uso, e prima di riporre l'utensile per periodi di tempo prolungati. Oliare leggermente le lame e applicare il coprilama.
4. Riporre l'utensile con il coprilama applicato, in una stanza asciutta. Tenerlo fuori dalla portata dei bambini. Non riporre mai l'utensile all'aperto.
5. Non smaltire le batterie nel fuoco. La cella potrebbe esplodere. Controllare le normative locali per eventuali istruzioni speciali relative allo smaltimento.

6. Non aprire né fare a pezzi le batterie. L'elettrolita rilasciato è corrosivo, e potrebbe causare danni agli occhi o alla pelle. Inoltre, potrebbe essere tossico, se inghiottito.
7. Non caricare la batteria sotto la pioggia o in condizioni di bagnato.
8. Quando si intende riporre l'utensile, evitare la luce solare diretta e la pioggia, e riporlo in un'ubicazione in cui non sia soggetto a temperature estremamente elevate o umidità.

## CONSERVARE LE PRESENTI ISTRUZIONI.

**⚠AVVERTIMENTO:** NON lasciare che la comodità o la familiarità d'uso con il prodotto (acquisita con l'uso ripetuto) sostituiscano la stretta osservanza delle norme di sicurezza. L'USO IMPROPRIO o la mancata osservanza delle norme di sicurezza riportate nel presente manuale manuale di istruzioni potrebbero causare lesioni personali gravi.

### Istruzioni di sicurezza importanti per la cartuccia della batteria

1. Prima di utilizzare la cartuccia della batteria, leggere tutte le istruzioni e le avvertenze riportate (1) sul caricabatteria, (2) sulla batteria e (3) sul prodotto che utilizza la batteria.
2. Non smantellare né manomettere la cartuccia della batteria. In caso contrario, si potrebbe causare un incendio, calore eccessivo o un'esplosione.
3. Qualora il tempo di utilizzo si riduca eccessivamente, interrompere immediatamente l'utilizzo dell'utensile. In caso contrario, si può incorrere nel rischio di surriscaldamento, possibili ustioni e persino un'esplosione.
4. Qualora l'elettrolita entri in contatto con gli occhi, sciacquarli con acqua pulita e richiedere immediatamente assistenza medica. Questa eventualità può risultare nella perdita della vista.
5. Non cortocircuitare la cartuccia della batteria:
  - (1) Non toccare i terminali con alcun materiale conduttivo.
  - (2) Evitare di conservare la cartuccia della batteria in un contenitore insieme ad altri oggetti metallici quali chiodi, monete, e così via.
  - (3) Non esporre la cartuccia della batteria all'acqua o alla pioggia.
 Un cortocircuito della batteria può causare un grande flusso di corrente, un surriscaldamento, possibili ustioni e persino un guasto.
6. Non conservare e utilizzare l'utensile e la cartuccia della batteria in ubicazioni in cui la temperatura possa raggiungere o superare i 50 °C.
7. Non incenerire la cartuccia della batteria anche qualora sia gravemente danneggiata o completamente esaurita. La cartuccia della batteria può esplodere se a contatto con il fuoco.

8. **Non inchiodare, tagliare, schiacciare, lanciare o far cadere la cartuccia della batteria, né farla urtare con forza contro un oggetto duro.** Questi comportamenti potrebbero risultare in un incendio, calore eccessivo o un'esplosione.
9. **Non utilizzare una batteria danneggiata.**
10. **Le batterie a ioni di litio contenute sono soggette ai requisiti del regolamento sul trasporto di merci pericolose (Dangerous Goods Legislation).**  
Per trasporti commerciali, ad esempio da parte di terzi o spedizionieri, è necessario osservare dei requisiti speciali sull'imballaggio e sull'etichetta. Per la preparazione dell'articolo da spedire, è richiesta la consulenza di un esperto in materiali pericolosi. Attenersi anche alle normative nazionali, che potrebbero essere più dettagliate. Nastrare o coprire i contatti aperti e imballare la batteria in modo tale che non si possa muovere liberamente all'interno dell'imballaggio.
11. **Quando si intende smaltire la cartuccia della batteria, rimuoverla dall'utensile e smaltirla in un luogo sicuro. Attenersi alle normative locali relative allo smaltimento della batteria.**
12. **Utilizzare le batterie esclusivamente con i prodotti specificati da Makita.** L'installazione delle batterie in prodotti non compatibili potrebbe risultare in incendi, calore eccessivo, esplosioni o perdite di liquido elettrolitico.
13. **Se l'utensile non viene utilizzato per un periodo di tempo prolungato, la batteria deve essere rimossa dall'utensile.**
14. **Durante e dopo l'uso, la cartuccia della batteria potrebbe assorbire calore, che può causare ustioni o ustioni a bassa temperatura. Fare attenzione a come si maneggiano le cartucce delle batterie estremamente calde.**
15. **Non toccare i terminali dell'utensile subito dopo l'uso, in quanto potrebbero diventare estremamente caldi al punto da causare ustioni.**
16. **Evitare di far incastrare schegge, polveri o terreno nei terminali, nei fori e nelle scanalature della cartuccia della batteria.** In caso contrario, l'utensile o la cartuccia della batteria potrebbero riscaldarsi, prendere fuoco, scoppiare o guastarsi, causando ustioni o lesioni personali.
17. **A meno che l'utensile supporti l'uso in prossimità di linee elettriche ad alta tensione, non utilizzare la cartuccia della batteria in prossimità di linee elettriche ad alta tensione.** In caso contrario, si potrebbe causare un malfunzionamento o la rottura dell'utensile o della cartuccia della batteria.
18. **Tenere la batteria lontana dai bambini.**

## CONSERVARE LE PRESENTI ISTRUZIONI.

**ATTENZIONE:** Utilizzare solo batterie originali Makita. L'utilizzo di batterie Makita non originali, o di batterie che siano state alterate, potrebbe risultare nello scoppio della batteria, causando incendi, lesioni personali e danni. Inoltre, ciò potrebbe invalidare la garanzia Makita per l'utensile e il caricabatterie Makita.

## Suggerimenti per preservare la durata massima della batteria

1. **Caricare la cartuccia della batteria prima che si scarichi completamente. Smettere sempre di utilizzare l'utensile e caricare la cartuccia della batteria quando si nota che la potenza dell'utensile è diminuita.**
2. **Non ricaricare mai una cartuccia della batteria completamente carica. La sovraccarica riduce la vita utile della batteria.**
3. **Caricare la cartuccia della batteria a una temperatura ambiente compresa tra 10 °C e 40 °C. Lasciar raffreddare una cartuccia della batteria prima di caricarla.**
4. **Quando non si utilizza la cartuccia della batteria, rimuoverla dall'utensile o dal caricabatterie.**
5. **Caricare la cartuccia della batteria se non la si è utilizzata per un periodo di tempo prolungato (più di sei mesi).**

## DESCRIZIONE DELLE FUNZIONI

**ATTENZIONE:** Accertarsi sempre che l'utensile sia spento e che la cartuccia della batteria sia stata rimossa prima di regolare o di controllare il funzionamento dell'utensile.

## Installazione o rimozione della cartuccia della batteria

**ATTENZIONE:** Spegnerne sempre l'utensile prima di installare o rimuovere la cartuccia della batteria.

**ATTENZIONE:** Mantenere saldamente lo strumento e la batteria quando si intende installare o rimuovere la cartuccia della batteria. Qualora non si mantengano saldamente lo strumento e la cartuccia della batteria, questi ultimi potrebbero scivolare dalle mani, con la possibilità di causare un danneggiamento dello strumento e della cartuccia della batteria, nonché una lesione personale.

► **Fig. 1:** 1. Indicatore rosso 2. Pulsante 3. Cartuccia della batteria

Per rimuovere la cartuccia della batteria, farla scorrere via dall'utensile mentre si fa scorrere allo stesso tempo il pulsante sulla parte anteriore della cartuccia.

Per installare la cartuccia della batteria, allineare la linguetta sulla cartuccia della batteria con la scanalatura nell'alloggiamento e farla scivolare in sede. Inserirla completamente fino al suo blocco in sede con un leggero scatto. Se è possibile vedere l'indicatore rosso, come indicato nella figura, non è bloccata completamente.

**⚠ATTENZIONE:** Installare sempre fino in fondo la cartuccia della batteria, fino a quando l'indicatore rosso non è più visibile. In caso contrario, la batteria potrebbe cadere accidentalmente dall'utensile, causando lesioni personali all'operatore o a chi gli è vicino.

**⚠ATTENZIONE:** Non installare forzatamente la cartuccia della batteria. Qualora la batteria non si inserisca scorrendo agevolmente, vuol dire che non viene inserita correttamente.

**AVVISO:** A seconda delle condizioni di utilizzo, l'utensile si arresta automaticamente senza alcuna indicazione, qualora rami o detriti restino incagliati nell'utensile. In questo caso, spegnere l'utensile e rimuovere la cartuccia della batteria, quindi rimuovere i rami o i detriti incagliati utilizzando degli utensili, ad esempio delle pinze. Dopo aver rimosso i rami o i detriti, installare la cartuccia della batteria e riaccendere l'utensile.

## Indicazione della carica residua della batteria

Premere il pulsante di controllo sulla cartuccia della batteria per indicare la carica residua della batteria. Gli indicatori luminosi si illuminano per alcuni secondi.

► **Fig.2:** 1. Indicatori luminosi 2. Pulsante di controllo

Indicatori luminosi			Carica residua
■ Illuminato	□ Spento	◐ Lampeggiante	
■ ■ ■ ■			Dal 75% al 100%
■ ■ ■ □			Dal 50% al 75%
■ ■ □ □			Dal 25% al 50%
■ □ □ □			Dallo 0% al 25%
◐ □ □ □			Caricare la batteria.
■ ■ □ □			La batteria potrebbe essersi guastata.
□ □ ■ ■			

**NOTA:** A seconda delle condizioni d'uso e della temperatura ambiente, l'indicazione potrebbe variare leggermente rispetto alla carica effettiva.

**NOTA:** Il primo indicatore luminoso (all'estremità sinistra) lampeggia quando il sistema di protezione della batteria è in funzione.

## Sistema di protezione strumento/batteria

L'utensile è dotato di un sistema di protezione utensile/batteria. Questo sistema interrompe automaticamente l'alimentazione al motore per prolungare la vita utile dell'utensile e della batteria. L'utensile si arresta automaticamente durante il funzionamento, qualora venga a trovarsi in una delle condizioni seguenti:

► **Fig.3:** 1. Indicatore luminoso di avvertimento

Indicatore luminoso di avvertimento		Stato
Colore	● Acceso ○ Lampeggiante	
Verde	○	Sovraccarico
Rosso	● (utensile) / ○ (batteria)	Surriscaldamento
Rosso	○	Sovrascarica

## Protezione dal sovraccarico

Qualora l'utensile o la batteria siano sovraccaricati da rami impigliati o altri detriti, l'utensile si arresta automaticamente, e l'indicatore luminoso di avvertimento inizia a lampeggiare in verde.

In questa situazione, spegnere l'utensile e interrompere l'applicazione che ha causato il sovraccarico dell'utensile. Quindi, accendere l'utensile per riavviarlo.

## Protezione dal surriscaldamento per l'utensile o la batteria

Qualora l'utensile o la cartuccia della batteria siano surriscaldati, l'utensile si arresta automaticamente. Quando l'utensile è surriscaldato, l'indicatore luminoso di avvertimento si illumina in rosso. Quando la cartuccia della batteria è surriscaldata, l'indicatore luminoso di avvertimento lampeggia in rosso. Lasciar raffreddare l'utensile e/o la batteria, prima di riaccendere l'utensile.

## Protezione dalla sovrascarica

Quando la carica della batteria diventa bassa, l'utensile si arresta automaticamente, e l'indicatore luminoso di avvertimento inizia a lampeggiare in rosso. Qualora l'utensile non funzioni anche quando si attivano gli interruttori, rimuovere la cartuccia della batteria dall'utensile e caricarla.

## Protezione da altre cause

Il sistema di protezione è progettato anche per altre cause che potrebbero danneggiare l'utensile, e consente all'utensile di arrestarsi automaticamente. Adottare tutte le misure seguenti per rimuovere le cause, quando l'utensile è stato portato a un'interruzione temporanea o a un arresto del funzionamento.

1. Spegnere l'utensile, quindi riaccenderlo per ricominciare.
2. Caricare la batteria o le batterie, o sostituirla/sostituirle con una batteria o delle batterie ricaricate.
3. Lasciar raffreddare la macchina e la batteria o le batterie.

Qualora non si riscontri alcun miglioramento ripristinando il sistema di protezione, contattare il proprio centro di assistenza locale Makita.

## Funzionamento dell'interruttore di accensione

**AVVERTIMENTO:** Per la sicurezza dell'utilizzatore, questo utensile è dotato di una leva che evita avvii accidentali dell'utensile. Non utilizzare MAI l'utensile qualora entri in funzione semplicemente quando si premono gli interruttori a grilletto senza premere la leva. Portare l'utensile a un nostro centro di assistenza autorizzato per le riparazioni appropriate PRIMA di un ulteriore utilizzo.

**AVVERTIMENTO:** Non fissare MAI con del nastro adesivo la leva e non escluderne MAI la funzione e l'operatività.

**AVVERTIMENTO:** Prima di installare la cartuccia della batteria sull'utensile, verificare sempre che gli interruttori a grilletto e la leva funzionino correttamente e tornino alla posizione di spegnimento quando vengono rilasciati. L'utilizzo di un utensile con un interruttore che non funzioni correttamente può portare alla perdita di controllo e a gravi lesioni personali.

**ATTENZIONE:** Non appoggiare mai il dito sugli interruttori a grilletto durante il trasporto. In caso contrario, l'utensile potrebbe avviarsi accidentalmente e causare lesioni personali.

**AVVISO:** Non premere con forza l'interruttore a grilletto senza tenere premuta la leva. In caso contrario, si potrebbe causare la rottura dell'interruttore.

Per accendere l'utensile, premere il pulsante di accensione principale. Per spegnere l'utensile, tenere premuto il pulsante di accensione principale fino a quando gli indicatori di velocità si spengono.

► **Fig.4:** 1. Pulsante di accensione principale

**NOTA:** L'indicatore luminoso di avvertimento lampeggia, qualora si preme l'interruttore a grilletto in condizioni di inutilizzabilità. L'indicatore luminoso di avvertimento lampeggia se si attiva l'interruttore di accensione principale mentre si tengono premuti la leva e l'interruttore a grilletto.

**NOTA:** Questo utensile utilizza una funzione di spegnimento automatico. Per evitare l'avvio accidentale, l'interruttore di accensione principale si disattiva automaticamente quando l'interruttore a grilletto non viene premuto per un determinato periodo di tempo, dopo che l'interruttore di accensione principale è stato attivato.










Per evitare di premere accidentalmente l'interruttore a grilletto, è fornita una leva. Per avviare l'utensile, premere l'interruttore a grilletto anteriore, quindi premere l'interruttore a grilletto posteriore mentre si tiene premuta la leva. Quando si rilascia un qualsiasi interruttore a grilletto, l'utensile si arresta.

► **Fig.5:** 1. Leva 2. Interruttore a grilletto posteriore 3. Interruttore a grilletto anteriore

## Regolazione della velocità

È possibile regolare la velocità dell'utensile premendo il pulsante di accensione principale. A ogni pressione del pulsante di accensione principale, il livello di velocità cambia.

► **Fig.6:** 1. Indicatore di velocità 2. Pulsante di accensione principale

Indicatore di velocità	Modalità	Velocità dei colpi
3  2  1 	Alta	5.000 min <sup>-1</sup>
3  2  1 	Media	3.600 min <sup>-1</sup>
3  2  1 	Bassa	2.000 min <sup>-1</sup>

## Pulsante di inversione per la rimozione dei detriti

**AVVERTIMENTO:** Qualora non si riesca a rimuovere i rami o i detriti incagliati mediante la funzione di inversione, spegnere l'utensile e rimuovere la cartuccia della batteria, quindi rimuovere i rami o i detriti incagliati utilizzando degli utensili, ad esempio delle pinze. Il mancato spegnimento dell'utensile e la mancata rimozione della cartuccia della batteria potrebbero risultare in gravi lesioni personali dovute ad avvio accidentale. La rimozione a mano dei rami o dei detriti incagliati potrebbe causare lesioni personali, poiché le lame a cesoie potrebbero muoversi in risposta a tale rimozione.

Questo utensile dispone di un pulsante di inversione per cambiare la direzione del movimento delle lame a cesoie. Il pulsante è destinato solo alla rimozione di rami e detriti incagliati nell'utensile.

Per invertire il movimento delle lame a cesoie, premere il pulsante di inversione quando le lame a cesoie si sono arrestate, quindi premere l'interruttore a grilletto anteriore, e infine premere l'interruttore a grilletto posteriore mentre si tiene premuta la leva. Gli indicatori di velocità iniziano a lampeggiare, e le lame a cesoie si muovono in direzione invertita.

Quando rami e detriti incagliati sono stati rimossi, l'utensile torna al movimento regolare, e gli indicatori di velocità smettono di lampeggiare e restano accesi.

► **Fig.7:** 1. Indicatore di velocità 2. Pulsante di inversione

**NOTA:** Qualora non sia possibile rimuovere i rami o i detriti incagliati, rilasciare gli interruttori a grilletto, quindi premere il pulsante di inversione, e infine premere gli interruttori a grilletto fino a quando i rami o i detriti vengono rimossi.

**NOTA:** Se si tocca il pulsante di inversione mentre le lame a cesoie si stanno ancora muovendo, l'utensile si arresta per predisporre al movimento invertito.

## Funzione elettronica

L'utensile è dotato di funzioni elettroniche, per un facile utilizzo.

- **Controllo costante della velocità**  
La funzione di controllo della velocità fornisce una velocità di rotazione costante, indipendentemente dalle condizioni di carico.
- **Freno elettrico**  
Questo utensile è dotato di un freno elettrico. Qualora l'utensile non riesca ripetutamente ad arrestare rapidamente le lame a cesoie dopo il rilascio dell'interruttore a grilletto, far sottoporre a riparazione l'utensile presso un centro di assistenza autorizzato Makita.
- **Funzione di prevenzione del riavvio accidentale**  
Anche se si installa la cartuccia della batteria mentre si tiene premuto l'interruttore a grilletto, l'utensile non si avvia. Per avviare l'utensile, rilasciare innanzitutto l'interruttore a grilletto, quindi premere l'interruttore a grilletto.

## MONTAGGIO

**⚠ATTENZIONE:** Accertarsi sempre che l'utensile sia spento e che la cartuccia della batteria sia stata rimossa, prima di effettuare qualsiasi intervento sull'utensile.

**⚠ATTENZIONE:** Quando si intende sostituire le lame a cesoie, indossare sempre i guanti, affinché le mani non entrino in contatto direttamente con le lame.

**AVVISO:** Quando si sostituiscono le lame a cesoie, non rimuovere il grasso dall'ingranaggio e dalla manovella.

### Installazione o rimozione delle lame a cesoie

**⚠ATTENZIONE:** Applicare il coprilama prima di rimuovere o installare le lame a cesoie.

È possibile installare lame a cesoie da 600 mm o da 750 mm sull'utensile.

**NOTA:** Se si sostituiscono le lame a cesoie con lame di lunghezza diversa, sostituire il raccoglitore di residui con uno di misura adatta alle lame.

1. Rimuovere quattro viti (per il modello UH013G) o cinque viti (per il modello UH014G), quindi rimuovere il raccoglitore di residui dall'utensile.

#### Per il modello UH013G

- **Fig.8:** 1. Raccoglitore di residui 2. Vite

#### Per il modello UH014G

- **Fig.9:** 1. Raccoglitore di residui 2. Vite

2. Appoggiare l'utensile capovolto, quindi rimuovere sei bulloni.

- **Fig.10:** 1. Bullone

3. Rimuovere il coperchio e la piastra.

- **Fig.11:** 1. Coperchio 2. Piastra

**NOTA:** La piastra potrebbe restare sul coperchio.

4. Rimuovere la biella e il cuscinetto.

- **Fig.12:** 1. Biella 2. Cuscinetto

**NOTA:** La biella o il cuscinetto potrebbero restare sul coperchio.

5. Rimuovere tre viti, tre bussole e il feltrino, quindi rimuovere le lame a cesoie.

- **Fig.13:** 1. Vite 2. Bussola 3. Feltrino 4. Lame a cesoie

**AVVISO:** Fare attenzione a non perdere le viti.

6. Rimuovere il coprilama, quindi applicarlo sulle nuove lame a cesoie.

- **Fig.14**

7. Regolare la manovella in modo che due fori siano allineati sulla linea di allineamento.

- **Fig.15:** 1. Foro 2. Linea di allineamento

8. Allineare le sporgenze sulle lame a cesoie verticalmente nella stessa posizione.

- **Fig.16:** 1. Sporgenza

9. Inserire la vite rimossa al punto 5 nei fori presenti sul coprilama e sulle lame a cesoie per fissare temporaneamente queste ultime, quindi montare il feltrino sulle lame a cesoie.

- **Fig.17:** 1. Vite 2. Feltrino 3. Foro

10. Inserire nel foro sulla biella la sporgenza presente sulle lame a cesoie, quindi allineare la posizione del feltrino con i fori sull'utensile. Montare due nuove bussole.

- **Fig.18:** 1. Feltrino 2. Sporgenza 3. Foro 4. Bussola

**AVVISO:** Applicare una piccola quantità di grasso sulla parte periferica interna del foro della biella.

**AVVISO:** Fare attenzione a non perdere le bussole.

11. Allineare i fori sulle bussole e sulle lame a cesoie con i fori sull'utensile, quindi serrare due viti per fissare temporaneamente le lame a cesoie.

- **Fig.19:** 1. Vite

12. Rimuovere la vite inserita nel foro sulle lame a cesoie al punto 9, quindi far scorrere il coprilama.

- **Fig.20:** 1. Vite

13. Montare una nuova bussola.

- **Fig.21:** 1. Bussola

14. Serrare la vite assieme alla bussola per fissare le lame a cesoie.

- **Fig.22:** 1. Vite

15. Serrare saldamente le viti che sono state serrate temporaneamente al punto 11.

16. Montare il cuscinetto e la biella.

- **Fig.23:** 1. Biella 2. Foro piccolo 3. Cuscinetto

**AVVISO:** Applicare una piccola quantità di grasso sulla parte periferica interna del foro piccolo della biella.

**AVVISO:** Accertarsi che la sporgenza sulle lame a cesoie si inserisca nel foro piccolo sulla biella.

17. Montare la piastra.  
► **Fig.24:** 1. Sporgenza 2. Piastra

**AVVISO:** Accertarsi che la sporgenza sulle lame a cesoie si inserisca nel foro sulla piastra.

18. Montare il coperchio, quindi serrare sei bulloni.  
► **Fig.25:** 1. Bullone 2. Coperchio
19. Montare il raccoglitore di residui sull'utensile serrando quattro viti (per il modello UH013G) o cinque viti (per il modello UH014G).

**Per il modello UH013G**  
► **Fig.26:** 1. Raccoglitore di residui 2. Vite

**Per il modello UH014G**  
► **Fig.27:** 1. Raccoglitore di residui 2. Vite

**AVVISO:** Qualora le lame a cesoie non si muovano in modo fluido, le lame a cesoie non sono innestate correttamente nelle bielle. Installare di nuovo le lame a cesoie.

**AVVISO:** Qualora parti diverse dalle lame a cesoie, ad esempio le bielle, siano usurate, rivolgersi a un centro di assistenza autorizzato Makita per la sostituzione dei componenti o le riparazioni.

## Rimozione o installazione del raccoglitore di residui

**ATTENZIONE:** Quando si intende installare o rimuovere il raccoglitore di residui, indossare sempre i guanti, affinché le mani non entrino in contatto direttamente con le lame a cesoie.

Il raccoglitore di residui raccoglie le foglie scartate e facilita notevolmente la pulizia in seguito.

Per rimuovere il raccoglitore di residui, rimuovere quattro viti (per il modello UH013G) o cinque viti (per il modello UH014G), quindi rimuovere il raccoglitore di residui dall'utensile. Per installare il raccoglitore di residui, eseguire la procedura di rimozione al contrario.

**Per il modello UH013G**  
► **Fig.28:** 1. Raccoglitore di residui 2. Vite

**Per il modello UH014G**  
► **Fig.29:** 1. Raccoglitore di residui 2. Vite

## FUNZIONAMENTO

**AVVERTIMENTO:** Tenere le mani lontane dalle lame a cesoie.

**ATTENZIONE:** Evitare l'utilizzo dell'utensile in condizioni atmosferiche estremamente calde, per quanto possibile. Quando si utilizza l'utensile, fare attenzione alle proprie condizioni fisiche.

**ATTENZIONE:** Fare attenzione a non entrare in contatto accidentalmente con una recinzione in metallo o con altri oggetti duri durante la rifilatura. In caso contrario, le lame a cesoie potrebbero rompersi e causare lesioni personali.

**ATTENZIONE:** Fare attenzione a evitare che le lame a cesoie entrino in contatto con il terreno. In caso contrario, l'utensile potrebbe subire un contraccolpo e causare lesioni personali.

**ATTENZIONE:** Sporgersi con un tagliasiepi, specialmente da una scala a pioli, è estremamente pericoloso. Non lavorare in piedi su alcuna superficie traballante o malferma.

**AVVISO:** Non tentare di tagliare rami di spessore superiore ai 10 mm di diametro con l'utensile.

Tagliare i rami a un'altezza di 10 cm inferiore a quella di taglio utilizzando dei troncareami, prima di utilizzare l'utensile.

► **Fig.30:** (1) Altezza di taglio (2) 10 cm

**AVVISO:** Non tagliare alberi morti oppure oggetti duri simili. In caso contrario, si potrebbe danneggiare l'utensile.

**AVVISO:** Non rifilare l'erba o le erbacce mentre si utilizzano le lame a cesoie. Le lame a cesoie potrebbero restare incagliate nell'erba o nelle erbacce.

Afferrare l'impugnatura anteriore con la mano destra e l'impugnatura posteriore con la mano sinistra. Premere l'interruttore a grilletto anteriore, quindi premere l'interruttore a grilletto posteriore mentre si preme la leva, infine spostare l'utensile in avanti.

► **Fig.31**

Per il funzionamento di base, inclinare le lame a cesoie verso la direzione di rifilatura e spostarle con calma e lentamente a una velocità compresa tra 3 e 4 secondi per metro.

► **Fig.32**

Per tagliare una siepe in modo uniforme, legare un nastro all'altezza desiderata e rifilare seguendo il nastro.

► **Fig.33**

Il raccoglitore di residui raccoglie le foglie scartate e facilita notevolmente la pulizia in seguito.

► **Fig.34**

Per tagliare il lato di una siepe in modo omogeneo, eseguire il taglio dal basso verso l'alto.

► **Fig.35**

Quando si rifila per creare una forma tondeggiante (rifilatura di bosso e rododendro, e così via), rifilare partendo dalle radici verso l'alto per ottenere una bellissima finitura.

► **Fig.36**



## MANUTENZIONE

**ATTENZIONE:** Accertarsi sempre che l'utensile sia spento e che la cartuccia della batteria sia stata rimossa prima di tentare di eseguire interventi di ispezione o manutenzione.

Per preservare la SICUREZZA e l'AFFIDABILITÀ del prodotto, le riparazioni e qualsiasi altro intervento di manutenzione e di regolazione devono essere eseguiti da un centro di assistenza autorizzato Makita, utilizzando sempre ricambi Makita.

### Pulizia dell'utensile

Pulire l'utensile rimuovendo le polveri con un panno asciutto o con uno bagnato in acqua saponata e strizzato.

**AVVISO:** Non utilizzare mai benzina, benzene, solventi, alcol o altre sostanze simili. In caso contrario, si potrebbero causare scolorimenti, deformazioni o crepe.

### Manutenzione delle lame a cesoie

Prima del funzionamento, oppure una volta per ogni ora di utilizzo, applicare olio a bassa viscosità (olio per macchine, oppure olio lubrificante di tipo spray) sulle lame a cesoie.

► Fig.37

Dopo l'uso, asportare la polvere dalle lame a cesoie con una spazzola metallica, pulire la polvere passando un panno, quindi applicare olio a bassa viscosità (olio per macchine, oppure olio lubrificante di tipo spray) sulle lame a cesoie.

► Fig.38

**AVVISO:** Non lavare le lame a cesoie in acqua. In caso contrario, si potrebbe causare la formazione di ruggine o danneggiare l'utensile.

**AVVISO:** Lo sporco e la corrosione causano un'eccessiva frizione delle lame e riducono la durata di esercizio per ciascuna carica della batteria.

### Conservazione

Il foro per il gancio nella parte inferiore dell'utensile è comodo per appendere quest'ultimo a un chiodo o a una vite nella parete.

Rimuovere la cartuccia della batteria dall'utensile, quindi applicare il coprilama sulle lame a cesoie in modo che le lame non siano esposte. Conservare l'utensile fuori dalla portata dei bambini. Conservare l'utensile in un'ubicazione non esposta all'umidità o alla pioggia.

► Fig.39: 1. Foro

## Affilatura delle lame a cesoie

**AVVISO:** Qualora le lame a cesoie si siano deformate notevolmente a causa dell'affilatura, sostituire le lame a cesoie con lame nuove.

1. Installare la cartuccia della batteria nell'utensile.
2. Accendere e avviare l'utensile in modo che la lama superiore e la lama inferiore siano posizionate in modo alternato.  
► Fig.40
3. Spegnerne l'utensile e rimuovere la cartuccia della batteria dall'utensile.
4. Impostare l'angolazione di una lima a 45°, quindi affilare la lama superiore da 3 direzioni con la lima.  
► Fig.41: (1) Lima (2) 45°

**ATTENZIONE:** Prima di affilare le lame a cesoie, accertarsi che l'utensile sia spento e che la cartuccia della batteria sia stata rimossa dall'utensile.

5. Appoggiare l'utensile capovolto, quindi rimuovere le sbavature dalle lame a cesoie con la pietra ravnivamole.  
► Fig.42: 1. Pietra ravnivamole
6. Impostare l'angolazione della lima a 45°, quindi affilare la lama inferiore da 3 direzioni con la lima.
7. Rimettere l'utensile nella posizione normale, quindi rimuovere le sbavature dalle lame a cesoie con la pietra ravnivamole.

## Lubrificazione con grasso

**Intervallo di lubrificazione:** Ogni 50 ore di funzionamento

1. Rimuovere il bullone dal foro per la lubrificazione.  
► Fig.43: 1. Bullone
2. Rimuovere il cappuccio dal contenitore del grasso. Allineare l'uscita del contenitore del grasso con il foro presente sul coperchio, quindi premere l'uscita del contenitore del grasso sul foro.  
► Fig.44: 1. Contenitore del grasso 2. Foro
3. Applicare il grasso sull'utensile (circa 5 g, come riferimento).
4. Serrare il bullone.

# RISOLUZIONE DEI PROBLEMI

Prima di richiedere riparazioni, eseguire un'ispezione personalmente. Qualora si rilevi un problema che non è illustrato nel manuale, non tentare di smontare l'utensile. Rivolgersi, invece, a un centro di assistenza autorizzato Makita, utilizzando sempre pezzi di ricambio Makita per le riparazioni.

Stato di anomalia	Causa probabile (guasto)	Azione correttiva
Il motore non funziona.	La cartuccia della batteria non è installata.	Installare la cartuccia della batteria.
	Problema della batteria (sotto tensione)	Ricaricare la batteria. Qualora la ricarica non sia efficace, sostituire la batteria.
	Il sistema di trasmissione non funziona correttamente.	Richiedere la riparazione a un centro di assistenza autorizzato locale.
Il motore si arresta dopo un breve utilizzo.	Il livello di carica della batteria è basso.	Ricaricare la batteria. Qualora la ricarica non sia efficace, sostituire la batteria.
	Surriscaldamento.	Interrompere l'utilizzo dell'utensile per consentirgli di raffreddarsi.
L'utensile non raggiunge il numero massimo di giri al minuto.	La batteria non è installata correttamente.	Installare la cartuccia della batteria come descritto nel presente manuale.
	La carica della batteria si sta esaurendo.	Ricaricare la batteria. Qualora la ricarica non abbia effetto, sostituire la batteria.
	Il sistema di trasmissione non funziona correttamente.	Richiedere la riparazione a un centro di assistenza autorizzato locale.
Le lame a cesoie non si muovono: ⇒ arrestare immediatamente la macchina!	Dei corpi estranei sono incagliati tra le lame a cesoie.	1. Utilizzare il pulsante di inversione. 2. Spegnerne l'utensile e rimuovere la cartuccia della batteria, quindi rimuovere i corpi estranei utilizzando degli utensili, ad esempio delle pinze.
	Il sistema di trasmissione non funziona correttamente.	Richiedere la riparazione a un centro di assistenza autorizzato locale.
Vibrazione anomala: ⇒ arrestare immediatamente la macchina!	Le lame a cesoie sono rotte, piegate o usurate.	Sostituire le lame a cesoie.
	Il sistema di trasmissione non funziona correttamente.	Richiedere la riparazione a un centro di assistenza autorizzato locale.
Non si riesce ad arrestare le lame a cesoie e il motore: ⇒ rimuovere immediatamente la batteria!	Malfunzionamento elettrico.	Rimuovere la batteria e richiedere la riparazione a un centro di assistenza autorizzato locale.

## ACCESSORI OPZIONALI

**⚠ATTENZIONE:** Questi accessori o componenti aggiuntivi sono consigliati per l'uso con l'utensile Makita specificato nel presente manuale. L'impiego di altri accessori o componenti aggiuntivi può costituire un rischio di lesioni alle persone. Utilizzare gli accessori o i componenti aggiuntivi solo per il loro scopo prefissato.

Per ottenere ulteriori dettagli relativamente a questi accessori, rivolgersi a un centro di assistenza Makita.

- Lama completa
- Raccogliitore di residui
- Contenitore del grasso
- Batteria e caricabatterie originali Makita

**NOTA:** Alcuni articoli nell'elenco potrebbero essere inclusi nell'imballaggio dell'utensile come accessori standard. Tali articoli potrebbero variare da nazione a nazione.

## TECHNISCHE GEGEVENS

Model:	UH013G	UH014G
Lengte messenblad	600 mm	750 mm
Bewegingen per minuut	2.000 / 3.600 / 5.000 min <sup>-1</sup>	
Totale lengte	1.085 mm	1.225 mm
Nominale spanning	Max. 36 V - 40 V gelijkspanning	
Nettogewicht	3,9 - 4,5 kg	4,0 - 4,7 kg
Beschermingsklasse	IPX4	

- In verband met ononderbroken research en ontwikkeling, behouden wij ons het recht voor de bovenstaande technische gegevens zonder voorafgaande kennisgeving te wijzigen.
- De technische gegevens kunnen van land tot land verschillen.
- Het gewicht kan verschillen afhankelijk van de hulpstukken, waaronder de accu. De lichtste en zwaarste combinatie, overeenkomstig de EPTA-procedure 01/2014, worden getoond in de tabel.

### Toepasselijke accu's en laders

Accu	BL4020* / BL4025* / BL4040* / BL4050F * : Aanbevolen accu
Lader	DC40RA / DC40RB / DC40RC

- Sommige van de hierboven vermelde accu's en laders zijn mogelijk niet leverbaar afhankelijk van waar u woont.

**⚠ WAARSCHUWING:** Gebruik uitsluitend de accu's en laders die hierboven worden genoemd. Gebruik van enige andere accu of lader kan leiden tot letsel en/of brand.




### Aanbevolen bekabelde voedingsbron

Draagbare voedingsseenheid	PDC01 / PDC1200
----------------------------	-----------------

- De hierboven vermelde bekabelde voedingsbron(nen) is/zijn mogelijk niet leverbaar afhankelijk van waar u woont.
- Alvorens de bekabelde voedingsbron te gebruiken, leest u de instructies en waarschuwingsopchriften erop.

### Symbolen

Hieronder staan de symbolen die voor het gereedschap kunnen worden gebruikt. Zorg ervoor dat u de betekenis ervan kent voordat u het gereedschap gaat gebruiken.

	Lees de gebruiksaanwijzing.
	GEVAAR - Houd handen uit de buurt van het snijgarantuur.
	Draag een veiligheidsbril.



Alleen voor EU-landen  
Als gevolg van de aanwezigheid van schadelijke componenten in het apparaat, kunnen oude elektrische en elektronische apparaten, accu's en batterijen negatieve gevolgen hebben voor het milieu en de gezondheid van mensen.  
Gooi elektrische en elektronische apparaten en accu's niet met het huisvuil weg! In overeenstemming met de Europese richtlijn inzake oude elektrische en elektronische apparaten en inzake accu's en batterijen en oude accu's en batterijen, alsmede de toepassing daarvan binnen de nationale wetgeving, dienen oude elektrische apparaten, accu's en batterijen gescheiden te worden opgeslagen en te worden ingeleverd bij een apart inzamelingspunt voor huishoudelijk afval dat de milieubeschermingsvoorschriften in acht neemt.  
Dit wordt op het apparaat aangegeven door het symbool van een doorgekruiste afvalcontainer.

### Gebruiksdoeleinden

Het gereedschap is bedoeld om heggen te snoeien.

## Geluidsniveau

Toepasselijke norm : EN62841-4-2

Model	Geluidsdruk niveau		Geluidsvermogen niveau	
	$L_{pA}$ (dB (A))	Onzekerheid K (dB (A))	$L_{WA}$ (dB (A))	Onzekerheid K (dB (A))
UH013G	80	3	91	3
UH014G	81	3	92	3

**OPMERKING:** De opgegeven geluidsemissiewaarde(n) is/zijn gemeten volgens een standaardtestmethode en kan/kunnen worden gebruikt om dit gereedschap te vergelijken met andere gereedschappen.

**OPMERKING:** De opgegeven geluidsemissiewaarde(n) kan/kunnen ook worden gebruikt voor een beoordeling vooraf van de blootstelling.

**⚠ WAARSCHUWING:** Draag gehoorbescherming.

**⚠ WAARSCHUWING:** De geluidsemissie tijdens het gebruik van het elektrisch gereedschap in de praktijk kan verschillen van de opgegeven waarde(n) afhankelijk van de manier waarop het gereedschap wordt gebruikt, met name van het soort werkstuk waarmee wordt gewerkt.

**⚠ WAARSCHUWING:** Zorg ervoor dat veiligheidsmaatregelen worden getroffen ter bescherming van de gebruiker die zijn gebaseerd op een schatting van de blootstelling onder praktijkomstandigheden (rekening houdend met alle fasen van de bedrijfscyclus, zoals de tijdsduur gedurende welke het gereedschap is uitgeschakeld en stationair draait, naast de ingeschakelde tijdsduur).

## Trilling

De totale trillingswaarde (triaxiale vectorsom) zoals vastgesteld volgens EN62841-4-2:

Model	Voorhandgreep		Achterhandgreep	
	ah (m/s <sup>2</sup> )	Onzekerheid K (m/s <sup>2</sup> )	ah (m/s <sup>2</sup> )	Onzekerheid K (m/s <sup>2</sup> )
UH013G	2,5	1,5	2,5 m/s <sup>2</sup> of lager	1,5
UH014G	3,2	1,5	2,5 m/s <sup>2</sup> of lager	1,5

**OPMERKING:** De totale trillingswaarde(n) is/zijn gemeten volgens een standaardtestmethode en kan/kunnen worden gebruikt om dit gereedschap te vergelijken met andere gereedschappen.

**OPMERKING:** De opgegeven totale trillingswaarde(n) kan/kunnen ook worden gebruikt voor een beoordeling vooraf van de blootstelling.

**⚠ WAARSCHUWING:** De trillingsemissie tijdens het gebruik van het elektrisch gereedschap in de praktijk kan verschillen van de opgegeven waarde(n) afhankelijk van de manier waarop het gereedschap wordt gebruikt, met name van het soort werkstuk waarmee wordt gewerkt.

**⚠ WAARSCHUWING:** Zorg ervoor dat veiligheidsmaatregelen worden getroffen ter bescherming van de gebruiker die zijn gebaseerd op een schatting van de blootstelling onder praktijkomstandigheden (rekening houdend met alle fasen van de bedrijfscyclus, zoals de tijdsduur gedurende welke het gereedschap is uitgeschakeld en stationair draait, naast de ingeschakelde tijdsduur).

## EG-verklaring van conformiteit

*Alleen voor Europese landen*

De EG-verklaring van conformiteit is bijgevoegd als Bijlage A bij deze gebruiksaanwijzing.

## VEILIGHEIDSWAARSCHUWINGEN

### Algemene veiligheids waarschuwingen voor elektrisch gereedschap

**⚠ WAARSCHUWING:** Lees alle veiligheids-waarschuwingen, aanwijzingen, afbeeldingen en technische gegevens behorend bij dit elektrische gereedschap aandachtig door. Als u niet alle onderstaande aanwijzingen naleeft, kan dat resulteren in brand, elektrische schokken en/of ernstig letsel.

# Bewaar alle waarschuwingen en instructies om in de toekomst te kunnen raadplegen.

De term "elektrisch gereedschap" in de veiligheidsvoorschriften duidt op gereedschappen die op stroom van het lichtnet werken (met snoer) of gereedschappen met een accu (snoerloos).

## Veiligheidswaarschuwingen voor een accuheggschaar

- Houd alle lichaamsdelen uit de buurt van de messenbladen. Verwijder geen snoeiafval en houd geen materiaal om te snoeien vast terwijl de messenbladen bewegen.** De messenbladen blijven bewegen nadat de schakelaar is uitgezet. Een ogenblik van onoplettendheid kan tijdens het gebruik van de heggschaar leiden tot ernstig persoonlijk letsel.
- Draag de heggschaar aan de handgreep met stilstaande messenbladen en let erop dat u geen enkele aan-uitschakelaar bedient.** Door op de juiste manier de heggschaar te dragen, verkleint u de kans op per ongeluk starten met als gevolg persoonlijk letsel door de messenbladen.
- Bij het transporteren of opbergen van de heggschaar moet altijd de schede worden aangebracht over de messenbladen.** Door op de juiste manier met de heggschaar om te gaan, verkleint u de kans op persoonlijk letsel door de messenbladen.
- Bij het verwijderen van vastgelopen materiaal of uitvoeren van onderhoud, verzekert u zich ervan dat alle aan-uitschakelaars uit staan en de accu is verwijderd of losgekoppeld.** Onverwachte inschakeling van de heggschaar tijdens het verwijderen van vastgelopen materiaal of uitvoeren van onderhoud, kan leiden tot ernstig persoonlijk letsel.
- Houd de heggschaar alleen vast bij de geïsoleerde oppervlakken omdat de messenbladen met verborgen bedrading in aanraking kunnen komen.** Wanneer de messenbladen in aanraking komen met onder spanning staande draden, zullen de niet-geïsoleerde metalen delen van de heggschaar onder spanning komen te staan zodat de gebruiker een elektrische schok kan krijgen.
- Houd alle netsnoeren en kabels uit de buurt van het snoeigebied.** Netsnoeren en kabels kunnen verborgen liggen in heggen of struiken en kunnen per ongeluk worden doorsneden door de messenbladen.
- Gebruik de heggschaar niet onder slechte weersomstandigheden, met name wanneer de kans op bliksem bestaat.** Dit verkleint de kans om door de bliksem getroffen te worden.
- Het gereedschap mag niet worden gebruikt door kinderen of jongeren onder de 18 jaar.** Jongeren ouder dan 16 jaar kunnen uitgezonderd worden van deze regel mits zij les krijgen onder toezicht van een expert.
- Beginnende gebruikers dienen door een ervaren gebruiker te worden voorgedaan hoe het gereedschap moet worden gebruikt.**
- Gebruik het gereedschap alleen als u in goede lichamelijke conditie verkeert.** Als u vermoeid bent, kunt u zich minder goed concentreren. Wees met name voorzichtig aan het einde van de werkdag. Werk altijd rustig en voorzichtig. De gebruiker is aansprakelijk voor alle schade toegebracht aan derden.
- Gebruik het gereedschap nooit onder invloed van alcohol, drugs of medicijnen.**
- Werkhandschoenen van stevig leer maken deel uit van de standaard werkuitrusting van het gereedschap en moeten tijdens het werken steeds altijd worden gedragen. Draag tevens stevige schoenen met antislip zolen.**
- Alvorens met de werkzaamheden te beginnen, moet u controleren of het gereedschap in goede en veilige staat verkeert. Controleer dat de beschermkappen stevig gemonteerd zijn. Het gereedschap mag niet worden gebruikt voordat deze geheel compleet en afgemonteerd is.**

### Bediening

- Houd tijdens het gebruik het gereedschap stevig met beide handen vast.**
- Het gereedschap is bedoeld om te worden gebruikt door een gebruiker die op de grond staat. Gebruik het gereedschap niet op een ladder of andere instabiele ondergrond.**
- GEVAAR - Houd uw handen uit de buurt van de messenbladen.** Aanraking van de messenbladen kan leiden tot ernstig persoonlijk letsel.
- Zorg alvorens met de werkzaamheden te beginnen ervoor dat u stevig staat.**
- Laat het gereedschap niet onnodig onbelast draaien.**
- Schakel het gereedschap onmiddellijk uit en verwijder de accu als de messenbladen in aanraking komen met een afrastering of ander hard voorwerp. Controleer de messenbladen op beschadigingen en indien beschadigd, vervangt u de messenbladen onmiddellijk.**
- Alvorens de messenbladen te controleren, storingen te verhelpen of vastgelopen materiaal uit de messenbladen te verwijderen, schakelt u het gereedschap altijd uit en verwijdert u de accu.**
- Richt de messenbladen nooit op uzelf of anderen.**
- Als de messenbladen tijdens gebruik stoppen met bewegen doordat vreemde voorwerpen verstrikt geraakt zijn tussen de messenbladen, schakelt u het gereedschap uit en verwijdert u de accu, en verwijdert u vervolgens de vreemde voorwerpen met behulp van gereedschappen, zoals een tang.** Als u de vreemde voorwerpen met de hand verwijdert, kan dat leiden tot letsel omdat de messenbladen kunnen gaan bewegen als reactie op het verwijderen van de vreemde voorwerpen.

## Aanvullende veiligheidsinstructies

### Vorbereidingen

- Controleer de heggen en struiken op vreemde voorwerpen, zoals draadafrastering of verborgen draden, voordat u het gereedschap gebruikt.**

- Als u het gereedschap op een modderige ondergrond, natte helling of gladde plaats gebruikt, let u erop dat u stevig staat.
- Dompel het gereedschap niet onder in een waterplas.
- Laat het gereedschap niet onbeheerd buiten in de regen staan.

#### Elektrische veiligheid en accu

- Vermijd gevaarlijke omgevingen. Gebruik het gereedschap niet op vochtige of natte plaatsen en stel het niet bloot aan regen. Als water binnendringt in het gereedschap, wordt de kans op een elektrische schok groter.
- Werp de accu('s) niet in een vuur. De accu kan exploderen. Raadpleeg de lokale regelgeving voor mogelijke speciale verwerkingsvereisten.
- Open of vervorm de accu('s) niet. Het elektrolyt is agressief en kan letsel toebrengen aan de ogen en huid. Het kan giftig zijn bij inslikken.
- Laad de accu niet op in de regen of op een natte plaats.
- Laad de accu niet buitenshuis op.
- Raak de lader, inclusief de stekker en de contacten van de lader, niet met natte handen aan.
- Vervang de accu niet met natte handen.
- Vervang de accu niet in de regen.
- Laat de aansluitpunten van de accu niet nat worden met een vloeistof, zoals water, en dompel de accu niet onder. Laat de accu niet in de regen liggen en laad of berg de accu niet op een vochtige of natte plaats op. Als de aansluitpunten nat worden of vloeistof binnendringt in de accu, kan kortsluiting ontstaan in de accu en bestaat de kans op oververhitting, brand of explosie.
- Nadat de accu vanaf het gereedschap of de acculader is verwijderd, vergeet u niet het accudeksel op de accu te bevestigen en deze op een droge plaats op te bergen.
- Als de accu nat wordt, laat u het water eruit lopen en veegt u hem af met een droge doek. Laat de accu volledig drogen op een droge plaats voordat u hem gebruikt.

#### Onderhoud en opslag

- Schakel het gereedschap uit en verwijder de accu alvorens enige onderhoudswerkzaamheden uit te voeren.
- Wanneer u het gereedschap naar een andere plaats overbrengt, ook tijdens het werk, verwijderd u altijd eerst de accu en brengt u de schede aan over de messenbladen. Draag of vervoer het gereedschap nooit met ingeschaalde messenbladen. Pak de messenbladen nooit met uw handen beet.
- Reinig het gereedschap, en met name de messenbladen, na ieder gebruik en voordat het gereedschap langdurig wordt opgeborgen. Smeer de messenbladen met een beetje olie en breng de schede aan.
- Berg het gereedschap met aangebrachte schede op in een droog vertrek. Houd het gereedschap buiten bereik van kinderen. Laat het gereedschap nooit buiten liggen.

- Werp de accu('s) niet in een vuur. De accu kan exploderen. Raadpleeg de lokale regelgeving voor mogelijke speciale verwerkingsvereisten.
- Open of vervorm de accu('s) niet. Het elektrolyt is agressief en kan letsel toebrengen aan de ogen en huid. Het kan giftig zijn bij inslikken.
- Laad de accu niet op in de regen of op een natte plaats.
- Wanneer u het gereedschap opbergt, vermijdt u direct zonlicht en regen, en bergt u het op een plaats op die niet heet of vochtig wordt.

## BEWAAR DEZE VOORSCHRIFTEN.

**⚠️WAARSCHUWING:** Laat u NIET misleiden door een vals gevoel van comfort en bekendheid met het gereedschap (na veelvuldig gebruik) en neem alle veiligheidsvoorschriften van het betreffende gereedschap altijd strikt in acht. **VERKEERD GEBRUIK** of het niet naleven van de veiligheidsvoorschriften in deze gebruiksaanwijzing kan leiden tot ernstig letsel.

### Belangrijke veiligheidsinstructies voor een accu

- Lees alle voorschriften en waarschuwingen op (1) de acculader, (2) de accu, en (3) het product waarvoor de accu wordt gebruikt, alvorens de accu in gebruik te nemen.
- Haal de accu niet uit elkaar en saboteer hem niet. Dit kan leiden tot brand, buitensporige hitte of een explosie.
- Als de gebruikstijd van een opgeladen accu aanzienlijk korter is geworden, moet u het gebruik ervan onmiddellijk stopzetten. Voortgezet gebruik kan oververhitting, brandwonden en zelfs een ontploffing veroorzaken.
- Als elektrolyt in uw ogen is terechtgekomen, spoelt u uw ogen met schoon water en roept u onmiddellijk de hulp van een dokter in. Elektrolyt in de ogen kan blindheid veroorzaken.
- Voorkom kortsluiting van de accu:
  - Raak de accuklemmen nooit aan met een geleidend materiaal.
  - Bewaar de accu niet in een bak waarin andere metalen voorwerpen zoals spijkers, munten e.d. worden bewaard.
  - Stel de accu niet bloot aan water of regen. Kortsluiting van de accu kan oorzaak zijn van een grote stroomafgifte, oververhitting, brandwonden, en zelfs defecten.
- Bewaar en gebruik het gereedschap en de accu niet op plaatsen waar de temperatuur kan oplopen tot 50 °C of hoger.
- Werp de accu nooit in het vuur, ook niet wanneer hij zwaar beschadigd of volledig versleten is. De accu kan ontploffen in het vuur.
- Laat de accu niet vallen, sla er geen spijker in, snijd er niet in, gooi er niet mee en stoot hem niet tegen een hard voorwerp. Dergelijke handelingen kunnen leiden tot brand, buitensporige hitte of een explosie.

9. **Gebruik nooit een beschadigde accu.**
10. **De bijgeleverde lithium-ionbatterijen zijn onderhevig aan de vereisten in de wetgeving omtrent gevaarlijke stoffen.**  
 Voor commercieel transport en dergelijke door derden en transporteurs moeten speciale vereisten ten aanzien van verpakking en etikettering worden nageleefd.  
 Als voorbereiding van het artikel dat wordt getransporteerd is het noodzakelijk een expert op het gebied van gevaarlijke stoffen te raadplegen. Houd u tevens aan mogelijk strengere nationale regelgeving.  
 Blootliggende contactpunten moeten worden afgedekt met tape en de accu moet zodanig worden verpakt dat deze niet kan bewegen in de verpakking.
11. **Wanneer u de accu wilt weggooiden, verwijdert u de accu vanaf het gereedschap en gooit u hem op een veilige manier weg. Volg bij het weggooiden van de accu de plaatselijke voorschriften.**
12. **Gebruik de accu's uitsluitend met de gereedschappen die door Makita zijn aanbevolen.** Als de accu's worden aangebracht in niet-compatibele gereedschappen, kan dat leiden tot brand, buitensporige warmteontwikkeling, een explosie of lekkage van elektrolyt.
13. **Als u het gereedschap gedurende een lange tijd niet denkt te gaan gebruiken, moet de accu vanaf het gereedschap worden verwijderd.**
14. **Tijdens en na gebruik, kan de accu heet worden waardoor brandwonden of koude brandwonden kunnen worden veroorzaakt. Wees voorzichtig bij het hanteren van een hete accu.**
15. **Raak de aansluitpunten van het gereedschap niet onmiddellijk na gebruik aan omdat deze heet genoeg kunnen zijn om brandwonden te veroorzaken.**
16. **Zorg ervoor dat geen steenslag, stof of grond vast komt te zitten op/in de aansluitpunten, openingen en groeven van de accu.** Hierdoor kan oververhitting, brand, een barst en een storing in het gereedschap of de accu ontstaan waardoor brandwonden of persoonlijk letsel kunnen ontstaan.
17. **Behalve indien gebruik van het gereedschap is toegestaan in de buurt van hoogspanningsleidingen, mag u de accu niet gebruiken in de buurt van een hoogspanningsleiding.** Dit kan leiden tot een storing of een defect van het gereedschap of de accu.
18. **Houd de accu uit de buurt van kinderen.**

## BEWAAR DEZE INSTRUCTIES.

**⚠ LET OP:** Gebruik uitsluitend originele Makita accu's. Het gebruik van niet-originele accu's, of accu's die zijn gewijzigd, kan ertoe leiden dat de accu ontploft en brand, persoonlijk letsel en schade veroorzaakt. Ook vervalt daarmee de garantie van Makita op het gereedschap en de lader van Makita.

## Tips voor een maximale levensduur van de accu

1. **Laad de accu op voordat hij volledig ontladen is. Stop het gebruik van het gereedschap en laad de accu op telkens wanneer u vaststelt dat het vermogen van het gereedschap is afgenomen.**
2. **Laad een volledig opgeladen accu nooit opnieuw op. Te lang opladen verkort de levensduur van de accu.**
3. **Laad de accu op bij een omgevingstemperatuur tussen 10 °C en 40 °C. Laat een warme accu afkoelen alvorens hem op te laden.**
4. **Als de accu niet wordt gebruikt, verwijdert u hem vanaf het gereedschap of de lader.**
5. **Laad de accu op als u deze gedurende een lange tijd (meer dan zes maanden) niet gaat gebruiken.**

## BESCHRIJVING VAN DE FUNCTIES

**⚠ LET OP:** Zorg altijd dat het gereedschap is uitgeschakeld en de accu ervan is verwijderd alvorens de functies op het gereedschap af te stellen of te controleren.

### De accu aanbrengen en verwijderen

**⚠ LET OP:** Schakel het gereedschap altijd uit voordat u de accu aanbrengt of verwijdert.

**⚠ LET OP:** Houd het gereedschap en de accu stevig vast tijdens het aanbrengen of verwijderen van de accu. Als u het gereedschap en de accu niet stevig vasthoudt, kunnen deze uit uw handen glippen en het gereedschap of de accu beschadigen, of kan persoonlijk letsel worden veroorzaakt.

► **Fig.1:** 1. Rood deel 2. Knop 3. Accu

Om de accu te verwijderen verschuift u de knop aan de voorkant van de accu en schuift u tegelijkertijd de accu uit het gereedschap.

Om de accu aan te brengen lijnt u de lip op de accu uit met de groef in de behuizing en duwt u de accu op zijn plaats. Steek de accu zo ver mogelijk in het gereedschap tot u een klikgeluid hoort. Wanneer het rode deel zichtbaar is, zoals aangegeven in de afbeelding, is de accu niet geheel vergrendeld.

**⚠ LET OP:** Breng de accu altijd helemaal aan totdat het rode deel niet meer zichtbaar is. Als u dit niet doet, kan de accu per ongeluk uit het gereedschap vallen en u of anderen in uw omgeving verwonden.

**⚠ LET OP:** Breng de accu niet met kracht aan. Als de accu niet gemakkelijk in het gereedschap kan worden geschoven, wordt deze niet goed aangebracht.

## De resterende acculading controleren

Druk op de testknop op de accu om de resterende acculading te zien. De indicatorlampjes branden gedurende enkele seconden.

► **Fig.2:** 1. Indicatorlampjes 2. Testknop

Indicatorlampjes			Resterende acculading
Brandt	Uit	Knippert	
■ ■ ■ ■			75% tot 100%
■ ■ ■ □			50% tot 75%
■ ■ □ □			25% tot 50%
■ □ □ □			0% tot 25%
▤ □ □ □			Laad de accu op.
■ ■ □ □			Er kan een storing zijn opgetreden in de accu.
□ □ ■ ■	↑ ↓		

**OPMERKING:** Afhankelijk van de gebruiksomstandigheden en de omgevingstemperatuur, is het mogelijk dat de aangegeven acculading verschilt van de werkelijke acculading.

**OPMERKING:** Het eerste (meest linker) indicatorlampje knippert wanneer het accubeveiligingssysteem in werking is getreden.

## Gereedschap-/accubeveiligingssysteem

Het gereedschap is uitgerust met een gereedschap-/accubeveiligingssysteem. Dit systeem schakelt automatisch de voeding naar de motor uit om de levensduur van het gereedschap en de accu te verlengen. Het gereedschap kan tijdens het gebruik automatisch stoppen als het gereedschap aan één van de volgende omstandigheden wordt blootgesteld:

► **Fig.3:** 1. Waarschuwinglampje

Waarschuwinglampje			Status
Kleur	● Aan	○ Knippert	
Groen		○	Overbelast
Rood	● (gereedschap) / ○ (accu)		Oververhit
Rood		○	Te ver ontladen

**KENNISGEVING:** Afhankelijk van de gebruiksomstandigheden, stopt het gereedschap automatisch zonder enige aanduiding wanneer takken of afval verstrikt zijn/is geraakt in het gereedschap. Schakel in dat geval eerst het gereedschap uit, verwijder vervolgens de accu en verwijder daarna verstrikt geraakte takken of afval met behulp van een tang of ander gereedschap. Nadat de takken of afval zijn/is verwijderd, brengt u de accu weer aan en schakelt u het gereedschap in.

## Overbelastingsbeveiliging

Wanneer het gereedschap of de accu overbelast wordt door verstrikt geraakte takjes of ander vuil, stopt het gereedschap automatisch en knippert het waarschuwinglampje groen. Schakel in die situatie het gereedschap uit en stop het gebruik dat ertoe leidde dat het gereedschap overbelast raakte. Schakel daarna het gereedschap in om het weer te starten.

## Oververhittingsbeveiliging voor het gereedschap of de accu

Als het gereedschap of de accu oververhit is, stopt het gereedschap automatisch. Wanneer het gereedschap oververhit is, brandt het waarschuwinglampje rood. Wanneer de accu oververhit is, knippert het waarschuwinglampje rood. Laat het gereedschap en/of de accu afkoelen alvorens het gereedschap weer in te schakelen.

## Beveiliging tegen te ver ontladen

Als de acculading laag wordt, stopt het gereedschap automatisch en gaat het waarschuwinglampje rood knipperen. Als het gereedschap niet werkt, ook niet wanneer de schakelaars worden bediend, verwijdert u de accu vanaf het gereedschap en laadt u hem op.

## Beveiliging tegen andere oorzaken

Het beveiligingssysteem is ook ontworpen voor andere oorzaken die het gereedschap kunnen beschadigen, en zorgt ervoor dat het gereedschap automatisch stopt. Voer alle volgende stappen uit om de oorzaken op te heffen, wanneer het gereedschap tijdelijk is onderbroken of tijdens het gebruik is gestopt.

1. Schakel het gereedschap uit en schakel het daarna weer in om het opnieuw te starten.
2. Laad de accu('s) op of vervang hem/ze door (een) opgeladen accu('s).
3. Laat het gereedschap en accu('s) afkoelen.

Als geen verbetering optreedt nadat het beveiligingssysteem is gereset, neemt u contact op met uw lokale Makita-servicecentrum.

## In- en uitschakelen

**⚠WAARSCHUWING:** Omwille van uw veiligheid is dit gereedschap uitgerust met een hendel die voorkomt dat het gereedschap onbedoeld wordt ingeschakeld. Gebruik het gereedschap **NOOIT** wanneer het kan worden ingeschakeld door alleen de trekverschakelaar in te knijpen zonder de hendel in te drukken. Stuur het gereedschap naar ons erkende servicecentrum voor deugdelijke reparatie **ALVORENS** het verder te gebruiken.

**⚠WAARSCHUWING:** U mag **NOOIT** de hendel met plakband vastzetten of anderszins de werking en functie ervan tenietdoen.

**⚠WAARSCHUWING:** Controleer altijd, voordat u de accu op het gereedschap aanbrengt, of de trekverschakelaars en hendel op de juiste manier schakelen en weer terugkeren naar de uit-stand nadat deze zijn losgelaten. Het gebruik van gereedschap met een schakelaar die niet goed werkt, kan leiden tot verlies van controle en ernstige verwondingen.



**⚠ LET OP:** Leg uw vinger nooit op de trekker-schakelaars terwijl u het gereedschap draagt. Het gereedschap kan onbedoeld starten en letsel veroorzaken.

**KENNISGEVING:** Knijp de trekkerschakelaar niet hard in zonder de hendel in te drukken. Hierdoor kan de schakelaar kapot gaan.

Druk op de aan-uitknop om het gereedschap in te schakelen. Om het gereedschap uit te schakelen, houdt u de aan-uitknop ingedrukt totdat de toerentalampjes uit gaan.

► **Fig.4:** 1. Aan-uitknop

**OPMERKING:** Het waarschuwinglampje knippert wanneer de trekkerschakelaar wordt ingeknepen onder ongeschikte omstandigheden. Het waarschuwinglampje knippert wanneer u de aan-uitknop inschakelt terwijl u de hendel ingedrukt en de trekker-schakelaar ingeknepen houdt.

**OPMERKING:** Dit gereedschap maakt gebruik van de automatische uitschakelfunctie. Om onbedoeld starten te voorkomen wordt de aan-uitknop automatisch uitschakeld wanneer de trekkerschakelaar niet wordt ingeknepen binnen een bepaalde tijdsduur nadat de aan-uitknop is ingeschakeld.



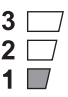
Om te voorkomen dat de trekkerschakelaar per ongeluk wordt ingeknepen, is de hendel aangebracht. Om het gereedschap te kunnen starten, knijpt u eerst de voorste trekkerschakelaar in en knijpt u vervolgens de achterste trekkerschakelaar in terwijl u de hendel ingedrukt houdt. Wanneer u één van de trekkerschakelaars loslaat, stopt het gereedschap.

► **Fig.5:** 1. Hendel 2. Achterste trekkerschakelaar 3. Voorste trekkerschakelaar

## Toerentalregeling

U kunt het toerental van het gereedschap instellen door op de aan-uitknop te drukken. Bij elke druk op de aan-uitknop, verandert het toerental.

► **Fig.6:** 1. Toerentalampjes 2. Aan-uitknop

Toerentalampjes	Functie	Aantal slagen
	Hoog	5.000 min <sup>-1</sup>
	Gemiddeld	3.600 min <sup>-1</sup>
	Laag	2.000 min <sup>-1</sup>

## Omkeerknop voor verwijderen van vuil

**⚠ WAARSCHUWING:** Als verstrikt geraakte takken of afval niet kunnen worden verwijderd door middel van de omkeerfunctie, schakelt u eerst het gereedschap uit, verwijdert u vervolgens de accu en verwijdert u daarna verstrikt geraakte takken of afval met behulp van een tang of ander gereedschap. Als het gereedschap niet wordt uitgeschakeld en de accu niet wordt verwijderd, kan dat na per ongeluk inschakelen leiden tot ernstig persoonlijk letsel. Als verstrikt geraakte takken en afval met de hand wordt verwijderd, kan dat leiden tot letsel omdat de messenbladen kunnen bewegen als reactie op het verwijderen.

Dit gereedschap heeft een omkeerknop om de bewegingsrichting van de messenbladen te veranderen. Dit is alleen voor het verwijderen van takken en afval dat verstrikt is geraakt in het gereedschap.

Om de bewegingsrichting van de messenbladen om te keren, drukt u op de omkeerknop nadat de messenbladen tot stilstand zijn gekomen, en knijpt u eerst de voorste trekkerschakelaar in en knijpt u vervolgens de achterste trekkerschakelaar in terwijl u de hendel ingedrukt houdt. De toerentalampjes beginnen te knippen en de messenbladen bewegen in de omgekeerde richting.

Nadat verstrikt geraakte takken en afval zijn verwijderd, keert het gereedschap terug naar de normale bewegingsrichting en stoppen de toerentalampjes met knippen en gaan branden.

► **Fig.7:** 1. Toerentalampjes 2. Omkeerknop

**OPMERKING:** Als de verstrikt geraakte takken of afval niet kunnen worden verwijderd, laat u de trekkerschakelaars los, drukt u op de omkeerknop en knijpt u daarna de trekkerschakelaars weer in totdat ze zijn verwijderd.

**OPMERKING:** Als u op de omkeerknop tikt terwijl de messenbladen nog bewegen, komt het gereedschap tot stilstand en staat klaar voor bewegen in de omgekeerde richting.

## Elektronische functie

Het gereedschap is uitgerust met elektronische aansturing voor een gemakkelijke bediening.

- Constant-toerentalregeling  
De toerentalregelfunctie zorgt voor een constant toerental ongeacht de belastingsomstandigheden.
- Elektrische rem  
Dit gereedschap is voorzien van een elektrische rem. Als het gereedschap constant niet in staat is de messenbladen snel stil te zetten nadat de trekkerschakelaar is losgelaten, laat u het gereedschap onderhouden door een erkend Makita-servicecentrum.
- Beveiliging tegen onopzettelijk herstarten  
Zelfs wanneer u de accu aanbrengt terwijl de trekkerschakelaar ingeknepen wordt gehouden, start het gereedschap niet. Om het gereedschap te kunnen starten, laat u eerst de trekkerschakelaar los en knijpt u vervolgens de trekkerschakelaar in.

# MONTAGE

**▲LET OP:** Zorg altijd dat het gereedschap is uitgeschakeld en de accu ervan is verwijderd alvorens enig werk aan het gereedschap uit te voeren.

**▲LET OP:** Draag bij het vervangen van de messenbladen altijd handschoenen zodat uw handen niet rechtstreeks in aanraking komen met de messenbladen.

**KENNISGEVING:** Bij het aanbrengen of verwijderen van de messenbladen veegt u het vet op het tandwiel en de kruk er niet af.

## De messenbladen aanbrengen en verwijderen

**▲LET OP:** Breng de schede aan voordat u de messenbladen aanbrengt of verwijdert.

U kunt messenbladen van 600 mm of 750 mm aanbrengen op uw gereedschap.

**OPMERKING:** Als u messenbladen van een andere lengte aanbrengt, vervangt u de snoeiafvalvanger door een die past bij de messenbladen.

1. Verwijder vier schroeven (voor UH013G) of vijf schroeven (voor UH014G), en verwijder vervolgens de snoeiafvalvanger vanaf het gereedschap.

Voor UH013G

► Fig.8: 1. Snoeiafvalvanger 2. Schroef

Voor UH014G

► Fig.9: 1. Snoeiafvalvanger 2. Schroef

2. Leg het gereedschap ondersteboven en verwijder daarna de zes bouten.

► Fig.10: 1. Bout

3. Verwijder de afdekking en de plaat.

► Fig.11: 1. Afdekking 2. Plaat

**OPMERKING:** De plaat kan vast blijven zitten aan de afdekking.

4. Verwijder de stang en het lager.

► Fig.12: 1. Stang 2. Lager

**OPMERKING:** De stang of het lager kan vast blijven zitten aan de afdekking.

5. Verwijder de drie bouten, de drie bussen en het viltblok en verwijder daarna de messenbladen.

► Fig.13: 1. Schroef 2. Bus 3. Viltblok 4. Messenbladen

**KENNISGEVING:** Let erop dat u de schroeven niet verliest.

6. Verwijder de schede en breng hem aan over de nieuwe messenbladen.

► Fig.14

7. Stel de kruk zodanig af dat de twee gaten uitgelijnd staan op de uitlijnlijn.

► Fig.15: 1. Gat 2. Uitlijnlijn

8. Lijn de uitsteeksels op de messenbladen verticaal boven elkaar uit in dezelfde positie.

► Fig.16: 1. Uitsteeksel

9. Steek de schroef die in stap 5 werd verwijderd door de gaten in de schede en de messenbladen om de messenbladen tijdelijk te bevestigen, en bevestig daarna het viltblok op de messenbladen.

► Fig.17: 1. Schroef 2. Viltblok 3. Gat

10. Steek het uitsteeksel op de messenbladen in het gat in de stang en lijn daarna de positie van het viltblok uit met de gaten in het gereedschap. Bevestig twee nieuwe bussen.

► Fig.18: 1. Viltblok 2. Uitsteeksel 3. Gat 4. Bus

**KENNISGEVING:** Breng een kleine hoeveelheid smeervet aan op de binnenomtrek van het gat in de stang.

**KENNISGEVING:** Let erop dat u de bussen niet verliest.

11. Lijn de gaten in de bussen en messenbladen uit met de gaten in het gereedschap, en draai daarna twee schroeven vast om de messenbladen tijdelijk te bevestigen.

► Fig.19: 1. Schroef

12. Verwijder de schroef die in stap 9 in het gat in de messenbladen werd gestoken, en verschuif daarna de schede.

► Fig.20: 1. Schroef

13. Bevestig een nieuwe bus.

► Fig.21: 1. Bus

14. Draai de schroef vast tezamen met de bus om de messenbladen te bevestigen.

► Fig.22: 1. Schroef

15. Draai de schroeven die in stap 11 tijdelijk waren bevestigd nu stevig vast.

16. Bevestig het lager en de stang.

► Fig.23: 1. Stang 2. Klein gat 3. Lager

**KENNISGEVING:** Breng een kleine hoeveelheid smeervet aan op de binnenomtrek van het kleine gat in de stang.

**KENNISGEVING:** Verzeker u ervan dat het uitsteeksel op de messenbladen past in het kleine gat in de stang.

17. Breng de plaat aan.

► Fig.24: 1. Uitsteeksel 2. Plaat

**KENNISGEVING:** Verzeker u ervan dat het uitsteeksel op de messenbladen past in het gat in de plaat.

18. Breng de afdekking aan en draai daarna de zes bouten vast.

► Fig.25: 1. Bout 2. Afdekking

19. Bevestig de snoeiafvalvanger op het gereedschap door de vier schroeven (voor UH013G) of vijf schroeven (voor UH014G) vast te draaien.

Voor UH013G

► Fig.26: 1. Snoeiafvalvanger 2. Schroef

Voor UH014G

► Fig.27: 1. Snoeiafvalvanger 2. Schroef

**KENNISGEVING:** Als de messenbladen niet soepel bewegen, grijpen de messenbladen niet goed aan op de stangen. Breng de messenbladen opnieuw aan.

**KENNISGEVING:** Als andere onderdelen dan de messenbladen, zoals de stangen, versleten zijn, vraagt u een erkend Makita-servicecentrum om vervanging of reparatie.

## De snoeiafvalvanger aanbrengen en verwijderen

**⚠ LET OP:** Draag bij het aanbrengen of verwijderen van de snoeiafvalvanger altijd handschoenen zodat uw handen niet rechtstreeks in aanraking komen met de messenbladen.

De snoeiafvalvanger verzamelt afgesneden bladeren waardoor het opruimen later veel gemakkelijker is.

Om de snoeiafvalvanger te verwijderen, verwijdert u vier schroeven (voor UH013G) of vijf schroeven (voor UH014G), en verwijdert u vervolgens de snoeiafvalvanger vanaf het gereedschap. Om de snoeiafvalvanger aan te brengen, volgt u de verwijderingsprocedure in omgekeerde volgorde.

Voor UH013G

► Fig.28: 1. Snoeiafvalvanger 2. Schroef

Voor UH014G

► Fig.29: 1. Snoeiafvalvanger 2. Schroef

## BEDIENING

**⚠ WAARSCHUWING:** Houd uw handen uit de buurt van de messenbladen.

**⚠ LET OP:** Vermijd, voor zover dat praktisch is, het gebruik van het gereedschap bij zeer warm weer. Let tijdens gebruik van het gereedschap op uw fysieke toestand.

**⚠ LET OP:** Wees voorzichtig niet per ongeluk een metalen afrastering of andere harde voorwerpen te raken tijdens het snoeien. De messenbladen kunnen breken en letsel veroorzaken.

**⚠ LET OP:** Wees voorzichtig dat de messenbladen tijdens gebruik niet de grond raken. Het gereedschap kan hierdoor terugslaan en letsel veroorzaken.

**⚠ LET OP:** Het is bijzonder gevaarlijk met de heggenschaar te ver te reiken, met name op een ladder. Werk niet vanuit een wankele of instabiele stand.

**KENNISGEVING:** Probeer geen takken dikker dan 10 mm diameter te snoeien met het gereedschap. Snoei takken met behulp van een snoeischaar op 10 cm lager af dan de snoeihoogte voordat u het gereedschap gebruikt.

► Fig.30: (1) Snoeihoogte (2) 10 cm

**KENNISGEVING:** Snoei niet in dode bomen of andere harde voorwerpen. Als u dit toch doet, kan het gereedschap worden beschadigd.

**KENNISGEVING:** Snijd geen gras of onkruiden met de messenbladen. Het gras of de onkruiden kunnen verstrikt raken in de messenbladen.

Houd de voorhandgreep met uw rechterhand vast en de achterhandgreep met uw linkerhand. Knijp de voorste trekkerschakelaar in en knijp daarna de achterste trekkerschakelaar in terwijl u de hendel ingedrukt houdt, en beweeg het gereedschap vervolgens naar voren.

► Fig.31

Als standaardmethode houdt u de messenbladen gekanteld in de snoeirichting en beweegt u ze rustig en langzaam met een snelheid van 3 of 4 seconden per meter.

► Fig.32

Om de bovenkant van een heg gelijkmatig te snoeien, spant u een touwtje op de gewenste hoogte en snoeit u er langs.

► Fig.33

De snoeiafvalvanger verzamelt afgesneden bladeren waardoor het opruimen later veel gemakkelijker is.

► Fig.34

Om de zijkant van een heg gelijkmatig te snoeien, snoeit u van onder naar boven.

► Fig.35

Als u een ronde vorm wilt snoeien (snoeien van buxus, rododendron, enz.), snoeit u van onder naar boven voor een mooie afwerking.

► Fig.36

## ONDERHOUD

**⚠ LET OP:** Zorg altijd dat het gereedschap is uitgeschakeld en de accu ervan is verwijderd alvorens te beginnen met onderhoud of inspectie.

Om de VEILIGHEID en BETROUWBAARHEID van het gereedschap te handhaven, dienen alle reparaties, onderhoud of afstellingen te worden uitgevoerd bij een erkend Makita-servicecentrum of de Makita-fabriek, en altijd met gebruik van Makita-vervangingsonderdelen.

## Het gereedschap reinigen

Reinig het gereedschap door het stof eraf te vegen met een droge doek of een doek gedoopt in zeepwater en uitgewrongen.

**KENNISGEVING:** Gebruik nooit benzine, wasbenzine, thinner, alcohol en dergelijke. Hierdoor kunnen verkleuring, vervormingen en barsten worden veroorzaakt.

## De messenbladen onderhouden

Voorafgaand aan gebruik, en één keer per uur tijdens gebruik, brengt u olie met een lage viscositeit (machineolie of smeerolie uit een spuitbus) aan op de messenbladen.

► Fig.37

Verwijder na de werkzaamheden het vuil vanaf de messenbladen met behulp van een staalborstel, veeg de messenbladen schoon met een doek, en breng daarna olie met een lage viscositeit (machineolie of smeerolie uit een spuitbus) aan op de messenbladen.

► Fig.38

**KENNISGEVING:** Was de messenbladen niet met water. Als u dit toch doet, kan het gereedschap gaan roesten of worden beschadigd.

**KENNISGEVING:** Vuil en roest zorgen voor een buitensporige weerstand tussen de messenbladen en verkorten de gebruiksduur van een acculading.

## Opslag

Het gat voor de haak in de onderkant van het gereedschap is handig om het gereedschap aan een spijker of schroef in de muur te hangen.

Verwijder de accu vanaf het gereedschap en breng daarna de schede aan over de messenbladen zodat deze niet bloot liggen. Bewaar het gereedschap buiten bereik van kinderen. Bewaar het gereedschap op een plaats die niet is blootgesteld aan vocht of regen.

► Fig.39: 1. Gat

## De messenbladen slijpen

**KENNISGEVING:** Als de messenbladen aanzienlijk vervormd zijn door het slijpen, vervangt u de messenbladen door nieuwe.

1. Breng de accu aan op het gereedschap.  
2. Schakel het gereedschap in en start het zodat het bovenste messenblad en onderste messenblad versprongen ten opzichte van elkaar staan.

► Fig.40

3. Schakel het gereedschap uit en verwijder de accu vanaf het gereedschap.

4. Stel de hoek van een vijl in op 45° en slijp het bovenste messenblad vanuit 3 richtingen met de vijl.

► Fig.41: (1) Vijl (2) 45°

**⚠ LET OP:** Alvorens de messenbladen te slijpen, verzekert u zich ervan dat het gereedschap is uitgeschakeld en de accu vanaf het gereedschap is verwijderd.

5. Leg het gereedschap ondersteboven en verwijder daarna de bramen vanaf de messenbladen met behulp van de wetsteen.

► Fig.42: 1. Wetsteen

6. Stel de hoek van de vijl in op 45° en slijp het onderste messenblad vanuit 3 richtingen met de vijl.

7. Leg het gereedschap terug in zijn normale stand en verwijder daarna de bramen vanaf de messenbladen met behulp van de wetsteen.

## Smeren met vet

**Smeerinterval:** Elke 50 bedrijfsuren

1. Verwijder de bout uit het smeergat.

► Fig.43: 1. Bout

2. Verwijder de dop vanaf de smeervethouder. Lijn de opening van de smeervethouder uit met het gat in de afdekking, en duw daarna de opening van de smeervethouder in het gat.

► Fig.44: 1. Smeervethouder 2. Gat

3. Breng het smeervet aan in het gereedschap (ongeveer 5 g als richtlijn).

4. Draai de bout vast.

# PROBLEMEN OPLOSSEN

Alvorens u verzoekt om reparatie, kunt u zelf als volgt het probleem opsporen en oplossen. Als u met een probleem kampt dat in deze handleiding niet wordt beschreven, probeer dan niet het gereedschap te demonteren. Laat reparaties over aan een erkend Makita-servicecentrum, uitsluitend met gebruik van originele Makita-ervangingsonderdelen.

Probleemomschrijving	Waarschijnlijke oorzaak (storing)	Oplossing
Motor loopt niet.	De accu is niet aangebracht.	Breng de accu aan.
	Probleem met de accu (lage spanning).	Laad de accu op. Als het opladen niet helpt, vervangt u de accu.
	De aandrijving werkt niet goed.	Vraag uw plaatselijke, erkende servicecentrum het gereedschap te repareren.
De motor stopt na kort te hebben gedraaid.	De accu is bijna leeg.	Laad de accu op. Als het opladen niet helpt, vervangt u de accu.
	Oververhitting.	Stop het gebruik van het gereedschap en laat het afkoelen.
Het gereedschap bereikt niet het maximale toerental.	De accu is niet goed aangebracht.	Breng de accu aan zoals beschreven in deze gebruiksaanwijzing.
	Het accuvermogen neemt af.	Laad de accu op. Als het opladen niet helpt, vervangt u de accu.
	De aandrijving werkt niet goed.	Vraag uw plaatselijke, erkende servicecentrum het gereedschap te repareren.
De messenbladen bewegen niet: ⇒ stop het gereedschap onmiddellijk!	Er zitten vreemde voorwerpen vast tussen de messenbladen.	1. Druk op de omkeerknop. 2. Schakel het gereedschap uit en verwijder de accu, en verwijder daarna de vreemde voorwerpen met behulp van een tang of ander gereedschap.
	De aandrijving werkt niet goed.	Vraag uw plaatselijke, erkende servicecentrum het gereedschap te repareren.
Abnormale trillingen: ⇒ stop het gereedschap onmiddellijk!	De messenbladen zijn gebroken, verbogen of versleten.	Vervang de messenbladen.
	De aandrijving werkt niet goed.	Vraag uw plaatselijke, erkende servicecentrum het gereedschap te repareren.
De messenbladen en de motor kunnen niet stoppen: ⇒ verwijder de accu onmiddellijk!	Elektrische storing.	Verwijder de accu en vraag uw plaatselijk erkende servicecentrum het gereedschap te repareren.

## OPTIONELE ACCESSOIRES

**⚠ LET OP:** Deze accessoires of hulpstukken worden aanbevolen voor gebruik met het Makita gereedschap dat in deze gebruiksaanwijzing is beschreven. Bij gebruik van andere accessoires of hulpstukken bestaat het gevaar van persoonlijke letsel. Gebruik de accessoires of hulpstukken uitsluitend voor hun bestemde doel.

Wenst u meer bijzonderheden over deze accessoires, neem dan contact op met het plaatselijke Makita-servicecentrum.

- Messenbladen compleet
- Snoeiafvalvanger
- Smeervethouder
- Originele Makita-accu en -acculader

**OPMERKING:** Sommige items op de lijst kunnen zijn inbegrepen in de doos van het gereedschap als standaard toebehoren. Deze kunnen van land tot land verschillen.

## ESPECIFICACIONES

Modelo:	UH013G	UH014G
Longitud de la cuchilla	600 mm	750 mm
Carreras por minuto	2.000 / 3.600 / 5.000 min <sup>-1</sup>	
Longitud total	1.085 mm	1.225 mm
Tensión nominal	CC 36 V - 40 V máx.	
Peso neto	3,9 - 4,5 kg	4,0 - 4,7 kg
Grado de protección	IPX4	

- Debido a nuestro continuado programa de investigación y desarrollo, las especificaciones aquí dadas están sujetas a cambios sin previo aviso.
- Las especificaciones pueden ser diferentes de país a país.
- El peso puede variar dependiendo del accesorio(s), incluyendo el cartucho de batería. La combinación menos pesada y la más pesada, de acuerdo con el procedimiento EPTA 01/2014, se muestran en la tabla.

### Cartucho de batería y cargador aplicables

Cartucho de batería	BL4020* / BL4025* / BL4040* / BL4050F * : Batería recomendada
Cargador	DC40RA / DC40RB / DC40RC

- Algunos de los cartuchos de batería y cargadores indicados arriba puede que no estén disponibles dependiendo de su región de residencia.

**⚠ ADVERTENCIA:** Utilice solamente los cartuchos de batería y cargadores indicados arriba. La utilización de cualquier otro cartucho de batería y cargador puede ocasionar heridas y/o un incendio.




### Fuente de alimentación conectada por cable recomendada

Unidad portátil de alimentación eléctrica	PDC01 / PDC1200
---	-----------------

- La fuente o fuentes de alimentación conectadas por cable indicadas arriba puede que no estén disponibles dependiendo de su región de residencia.
- Antes de utilizar la fuente de alimentación conectada por cable, lea las instrucciones e indicaciones de precaución sobre ella.

### Símbolos

A continuación se muestran los símbolos que pueden ser utilizados para el equipo. Asegúrese de que entienda su significado antes de utilizar.

	Lea el manual de instrucciones.
	PELIGRO - Mantenga las manos alejadas de la cuchilla.
	Póngase gafas de seguridad.



Sólo para países de la Unión Europea  
Debido a la presencia de componentes peligrosos en el equipo, el equipo eléctrico y electrónico, los acumuladores y las baterías desechados pueden tener un impacto negativo para el medioambiente y la salud humana.

¡No tire los aparatos eléctricos y electrónicos ni las baterías junto con los residuos domésticos! De conformidad con las Directivas Europeas sobre residuos de aparatos eléctricos y electrónicos y sobre acumuladores y baterías, así como la adaptación de las mismas a la ley nacional, el equipo eléctrico, las baterías y los acumuladores desechados deberán ser almacenados por separado y trasladados a un punto distinto de recogida de desechos municipales, que cumpla con los reglamentos sobre protección medioambiental.

Esto se indica mediante el símbolo de cubo de basura tachado colocado en el equipo.

### Uso previsto

La herramienta ha sido prevista para recortar setos.

## Ruido

Estándar aplicable : EN62841-4-2

Modelo	Nivel de presión del sonido		Nivel de potencia del sonido	
	L <sub>pA</sub> (dB(A))	Incertidumbre K (dB(A))	L <sub>WA</sub> (dB(A))	Incertidumbre K (dB(A))
UH013G	80	3	91	3
UH014G	81	3	92	3

**NOTA:** El valor (o los valores) de emisión de ruido declarado ha sido medido de acuerdo con un método de prueba estándar y se puede utilizar para comparar una herramienta con otra.

**NOTA:** El valor (o valores) de emisión de ruido declarado también se puede utilizar en una valoración preliminar de exposición.

**⚠ ADVERTENCIA:** Póngase protectores para oídos.

**⚠ ADVERTENCIA:** La emisión de ruido durante la utilización real de la herramienta eléctrica puede variar del valor (o los valores) de emisión declarado dependiendo de las formas en las que la herramienta sea utilizada, especialmente qué tipo de pieza de trabajo se procesa.

**⚠ ADVERTENCIA:** Asegúrese de identificar medidas de seguridad para proteger al operario que estén basadas en una estimación de la exposición en las condiciones reales de utilización (teniendo en cuenta todas las partes del ciclo operativo como las veces cuando la herramienta está apagada y cuando está funcionando en vacío además del tiempo de gatillo).

## Vibración

El valor total de la vibración (suma de vectores triaxiales) determinado de acuerdo con la norma EN62841-4-2:

Modelo	Mango delantero		Mango trasero	
	ah (m/s <sup>2</sup> )	Incertidumbre K (m/s <sup>2</sup> )	ah (m/s <sup>2</sup> )	Incertidumbre K (m/s <sup>2</sup> )
UH013G	2,5	1,5	2,5 m/s <sup>2</sup> o menos	1,5
UH014G	3,2	1,5	2,5 m/s <sup>2</sup> o menos	1,5

**NOTA:** El valor (o los valores) total de emisión de vibración declarado ha sido medido de acuerdo con un método de prueba estándar y se puede utilizar para comparar una herramienta con otra.

**NOTA:** El valor (o los valores) total de emisión de vibración declarado también se puede utilizar en una valoración preliminar de exposición.

**⚠ ADVERTENCIA:** La emisión de vibración durante la utilización real de la herramienta eléctrica puede variar del valor (o los valores) de emisión declarado dependiendo de las formas en las que la herramienta sea utilizada, especialmente qué tipo de pieza de trabajo se procesa.

**⚠ ADVERTENCIA:** Asegúrese de identificar medidas de seguridad para proteger al operario que estén basadas en una estimación de la exposición en las condiciones reales de utilización (teniendo en cuenta todas las partes del ciclo operativo como las veces cuando la herramienta está apagada y cuando está funcionando en vacío además del tiempo de gatillo).

## Declaración CE de conformidad

*Para países europeos solamente*

La declaración CE de conformidad está incluida como Anexo A de esta manual de instrucciones.

## ADVERTENCIAS DE SEGURIDAD

### Advertencias de seguridad para herramientas eléctricas en general

**⚠ ADVERTENCIA:** Lea todas las advertencias de seguridad, instrucciones, ilustraciones y especificaciones provistas con esta herramienta eléctrica. Si no sigue todas las instrucciones indicadas abajo podrá resultar en una descarga eléctrica, un incendio y/o heridas graves.

## Guarde todas las advertencias e instrucciones para futuras referencias.

El término "herramienta eléctrica" en las advertencias se refiere a su herramienta eléctrica de funcionamiento con conexión a la red eléctrica (con cable) o herramienta eléctrica de funcionamiento a batería (sin cable).

### Advertencias de seguridad para el cortasetos inalámbrico

1. **Mantenga todas las partes del cuerpo alejadas de la cuchilla. No retire el material cortado o sujete el material que va a cortar cuando las cuchillas estén moviéndose.** Las cuchillas siguen moviéndose después de desactivar el interruptor. Un momento de inatención mientras está operando el cortasetos puede resultar en heridas personales graves.
2. **Transporte el cortasetos agarrándolo por el mango con la cuchilla parada y teniendo cuidado de no activar ningún interruptor de alimentación.** Un transporte correcto del cortasetos disminuirá el riesgo de una puesta en marcha involuntaria que podría resultar en heridas personales con las cuchillas.
3. **Cuando transporte o almacene el cortasetos, coloque siempre la cubierta de las cuchillas.** Un manejo correcto del cortasetos disminuirá el riesgo de heridas personales con las cuchillas.
4. **Cuando retire material atascado o haga el servicio a la unidad, asegúrese de que todos los interruptores de alimentación están desactivados y la batería ha sido retirada o desconectada.** Una puesta en marcha del cortasetos mientras retira material atascado o hace el servicio podrá resultar en heridas personales graves.
5. **Sujete el cortasetos por las superficies de aislamiento aisladas solamente, porque la cuchilla puede entrar en contacto con cableado oculto.** El contacto de las cuchillas con un cable con corriente hará que la corriente circule por las partes metálicas expuestas del cortasetos y podrá soltar una descarga eléctrica al operario.
6. **Mantenga todos los cables de alimentación y otros cables alejados del área de corte.** Puede haber cables de alimentación u otros cables ocultos en los setos o arbustos y la cuchilla puede cortarlos accidentalmente.
7. **No utilice el cortasetos en malas condiciones meteorológicas, especialmente cuando haya riesgo de relámpagos.** Esto disminuirá el riesgo de sufrir el impacto de un rayo.

### Instrucciones de seguridad adicionales

#### Preparación

1. **Compruebe los setos y arbustos por si tienen objetos extraños, tal como cercas alambradas o cables ocultos antes de utilizar la herramienta.**
2. **La herramienta no debe ser utilizada por niños o personas jóvenes de menos de 18 años de edad.** Las personas jóvenes de más de 16 años de edad pueden excluirse de esta restricción si están recibiendo preparación bajo la supervisión de un experto.

3. **A los primerizos, un usuario con experiencia deberá enseñarles cómo utilizar la herramienta.**
4. **Utilice la herramienta solamente si se encuentra en buen estado físico.** Si está cansado, su atención se reducirá. Tenga cuidado especial al final de la jornada laboral. Realice todo el trabajo con calma y con cuidado. El usuario es responsable de todos los daños causados a terceros.
5. **No utilice nunca la herramienta cuando esté bajo la influencia de alcohol, drogas o medicamento.**
6. **Los guantes de trabajo de cuero resistente son parte del equipo básico de la herramienta y se deben llevar puestos siempre que se trabaje con ella. Póngase también zapatos robustos con suelas antideslizantes.**
7. **Antes de comenzar el trabajo, compruebe para asegurarse de que la herramienta está en buen estado de funcionamiento y que se puede usar con seguridad. Asegúrese de que los protectores están colocados firmemente. La herramienta no debe ser utilizada a menos que esté totalmente ensamblada.**

#### Operación

1. **Sujete la herramienta firmemente con ambas manos cuando la esté utilizando.**
2. **La herramienta ha sido prevista para ser utilizada por el operario a nivel del suelo. No utilice la herramienta en escaleras de mano ni en ningún otro apoyo inestable.**
3. **PELIGRO - Mantenga las manos alejadas de la cuchilla.** El contacto con la cuchilla provocará heridas personales graves.
4. **Asegúrese de que tiene suelo firme antes de comenzar la operación.**
5. **No utilice la herramienta sin carga innecesariamente.**
6. **Apague la herramienta inmediatamente y retire el cartucho de batería si las cuchillas de tijeras entran en contacto con una valla u otro objeto duro. Compruebe las cuchillas por si están dañadas, y si están dañadas, reemplace las cuchillas inmediatamente.**
7. **Antes de comprobar las cuchillas de tijeras, ocuparse de los fallos, o de retirar material enganchado en las cuchillas de tijeras, apague siempre la herramienta y retire el cartucho de batería.**
8. **No dirija nunca las cuchillas de tijeras hacia usted u otros.**
9. **Si las cuchillas dejan de moverse debido al atasco de objetos extraños entre las cuchillas durante la operación, apague la herramienta y retire el cartucho de batería, y después retire los objetos extraños utilizando implementos como unos alicates.** Retirar los objetos extraños con la mano puede ocasionar heridas por el hecho de que las cuchillas pueden moverse como reacción al retirar los objetos extraños.
10. **Cuando utilice la herramienta en suelo enlodado, pendiente mojada, o lugar resbaladizo, preste atención a donde pisa.**
11. **No sumerja la herramienta en un charco.**
12. **No deje la herramienta sin atender en exteriores en la lluvia.**



## Seguridad eléctrica y de la batería

1. Evite los entornos peligrosos. No utilice la herramienta en lugares húmedos o mojados ni la esponja a la lluvia. La entrada de agua en la herramienta aumentará el riesgo de que se produzca una descarga eléctrica.
2. No deseche la batería(s) arrojándola al fuego. La célula puede explotar. Compruebe los códigos locales por si hay instrucciones para el posible desecho especial.
3. No abra o mutile la batería(s). El electrolito liberado es corrosivo y puede ocasionar daño a los ojos o la piel. Puede ser tóxico si se traga.
4. No cargue la batería bajo la lluvia, o en lugares mojados.
5. No cargue la batería en exteriores.
6. No maneje el cargador, incluida la clavija del cargador, y los terminales del cargador con las manos mojadas.
7. No reemplace la batería con las manos mojadas.
8. No reemplace la batería en la lluvia.
9. No moje el terminal de la batería con líquido como agua, ni sumerja la batería. No deje la batería en la lluvia, ni cargue, utilice, o almacene la batería en un lugar húmedo o mojado. Si el terminal se moja o si entra líquido al interior de la batería, la batería podrá cortocircuitarse y existe el riesgo de recalentamiento, incendio, o explosión.
10. Después de retirar la batería de la herramienta o el cargador, asegúrese de colocar la tapa de la batería en la batería y de guardarla en un lugar seco.
11. Si el cartucho de batería se moja, retire el agua del interior y después límpielo con un paño seco. Seque el cartucho de batería completamente en un lugar seco antes de utilizarlo.

## Mantenimiento y almacenamiento

1. Apague la herramienta y retire el cartucho de batería antes de realizar cualquier trabajo de mantenimiento.
2. Cuando mueva la herramienta a otro lugar, incluyendo durante el trabajo, retire siempre el cartucho de batería y ponga la cubierta de las cuchillas en las cuchillas de tijeras. No transporte ni traslade nunca la herramienta con las cuchillas en movimiento. No agarre nunca las cuchillas con las manos.
3. Limpie la herramienta y especialmente las cuchillas de tijeras después de la utilización, y antes de almacenar la herramienta durante periodos prolongados. Enaceite ligeramente las cuchillas y ponga la cubierta de las cuchillas.
4. Almacene la herramienta con la cubierta de las cuchillas puesta, en un cuarto seco. Manténgalo alejado del alcance de los niños. No almacene nunca la herramienta en exteriores.
5. No deseche la batería(s) arrojándola al fuego. La célula puede explotar. Compruebe los códigos locales por si hay instrucciones para el posible desecho especial.

6. No abra o mutile la batería(s). El electrolito liberado es corrosivo y puede ocasionar daño a los ojos o la piel. Puede ser tóxico si se traga.
7. No cargue la batería bajo la lluvia, o en lugares mojados.
8. Cuando almacene la herramienta, evite la luz solar directa y la lluvia, y almacénela en un lugar donde no se caliente o humedezca.

## GUARDE ESTAS INSTRUCCIONES.

**ADVERTENCIA:** NO deje que la comodidad o familiaridad con el producto (a base de utilizarlo repetidamente) sustituya la estricta observancia de las normas de seguridad para el producto en cuestión. El MAL USO o el no seguir las normas de seguridad establecidas en este manual de instrucciones podrá ocasionar heridas personales graves.

## Instrucciones de seguridad importantes para el cartucho de batería

1. Antes de utilizar el cartucho de batería, lea todas las instrucciones e indicaciones de precaución sobre (1) el cargador de baterías, (2) la batería, y (3) el producto con el que se utiliza la batería.
2. No desensamble ni manipule el cartucho de batería. Podrá resultar en un incendio, calor excesivo, o una explosión.
3. Si el tiempo de uso se acorta demasiado, cese la operación inmediatamente. Podría resultar en un riesgo de recalentamiento, posibles quemaduras e incluso una explosión.
4. Si entra electrólito en sus ojos, aclárelos con agua limpia y acuda a un médico inmediatamente. Existe el riesgo de poder perder la vista.
5. No cortocircuite el cartucho de batería:
  - (1) No toque los terminales con ningún material conductor.
  - (2) Evite guardar el cartucho de batería en un cajón junto con otros objetos metálicos, como clavos, monedas, etc.
  - (3) No exponga el cartucho de batería al agua ni a la lluvia.Un cortocircuito en la batería puede producir una gran circulación de corriente, un recalentamiento, posibles quemaduras e incluso una rotura de la misma.
6. No guarde ni utilice la herramienta y el cartucho de batería en lugares donde la temperatura pueda alcanzar o exceder los 50 °C.
7. Nunca incinere el cartucho de batería incluso en el caso de que esté dañado seriamente o ya no sirva en absoluto. El cartucho de batería puede explotar si se tira al fuego.
8. No clave, corte, aplaste, lance, deje caer el cartucho de batería, ni golpee contra un objeto duro el cartucho de batería. Tal conducta podrá resultar en un incendio, calor excesivo, o una explosión.

9. **No utilice una batería dañada.**
10. **Las baterías de litio-ion contenidas están sujetas a los requisitos de la Legislación para Materiales Peligrosos.**  
Para transportes comerciales, p.ej., por terceras personas y agentes de transportes, se deberán observar requisitos especiales para el empaquetado y etiquetado.  
Para la preparación del artículo que se va a enviar, se requiere consultar con un experto en materiales peligrosos. Por favor, observe también la posibilidad de reglamentos nacionales más detallados.  
Cubra con cinta aislante o enmascare los contactos expuestos y empaquete la batería de tal manera que no se pueda mover alrededor dentro del embalaje.
11. **Para desechar el cartucho de batería, retírelo de la herramienta y deséchelo en un lugar seguro. Siga los reglamentos locales referentes al desecho de la batería.**
12. **Utilice las baterías solamente con los productos especificados por Makita.** La instalación de las baterías en productos no compatibles puede resultar en un incendio, calor excesivo, explosión, o fuga de electrolito.
13. **Si la herramienta no va a ser utilizada durante un periodo de tiempo largo, la batería deberá ser retirada de la herramienta.**
14. **Durante y después de la utilización, el cartucho de batería podrá acumular calor, lo cual puede ocasionar quemaduras o quemaduras de baja temperatura. Preste atención al manejo de cartuchos de batería calientes.**
15. **No toque el terminal de la herramienta inmediatamente después de utilizar, dado que puede calentarse lo suficiente como para ocasionar quemaduras.**
16. **No permita que virutas, polvo, o tierra se adhieran dentro de los terminales, orificios, y ranuras del cartucho de batería.** Esto podría ocasionar calentamiento, que coja fuego, reviente y un mal funcionamiento de la herramienta o el cartucho de batería, resultando en quemaduras o heridas personales.
17. **A menos que la herramienta pueda utilizarse cerca de cables eléctricos de alta tensión, no utilice el cartucho de batería cerca de cables eléctricos de alta tensión.** Podrá resultar en un mal funcionamiento o rotura de la herramienta o el cartucho de batería.
18. **Mantenga la batería alejada de los niños.**

## GUARDE ESTAS INSTRUCCIONES.

**⚠PRECAUCIÓN:** Utilice solamente baterías genuinas de Makita. La utilización de baterías no genuinas de Makita, o baterías que han sido alteradas, puede resultar en una explosión de la batería ocasionando incendios, heridas personales y daños. También anulará la garantía de Makita para la herramienta y el cargador de Makita.

## Consejos para alargar al máximo la vida de servicio de la batería

1. **Cargue el cartucho de batería antes de que se descargue completamente. Detenga siempre la operación y cargue el cartucho de batería cuando note menos potencia en la herramienta.**
2. **No cargue nunca un cartucho de batería que esté completamente cargado. La sobrecarga acortará la vida de servicio de la batería.**
3. **Cargue el cartucho de batería a temperatura ambiente de 10 °C - 40 °C. Si un cartucho de batería está caliente, déjelo enfriar antes de cargarlo.**
4. **Cuando no esté utilizando el cartucho de batería, retírelo de la herramienta o del cargador.**
5. **Cargue el cartucho de batería si no lo utiliza durante un periodo de tiempo prolongado (más de seis meses).**

## DESCRIPCIÓN DEL FUNCIONAMIENTO

**⚠PRECAUCIÓN:** Asegúrese siempre de que la herramienta está apagada y el cartucho de batería retirado antes de realizar cualquier ajuste o comprobación en la herramienta.

## Instalación o extracción del cartucho de batería

**⚠PRECAUCIÓN:** Apague siempre la herramienta antes de instalar o retirar el cartucho de batería.

**⚠PRECAUCIÓN:** Sujete la herramienta y el cartucho de batería firmemente cuando instale o retire el cartucho de batería. Si no sujeta la herramienta y el cartucho de batería firmemente podrán caérsele de las manos y resultar en daños a la herramienta y al cartucho de batería y heridas personales.

► Fig.1: 1. Indicador rojo 2. Botón 3. Cartucho de batería

Para retirar el cartucho de batería, deslícelo de la herramienta mientras desliza el botón de la parte frontal del cartucho.

Para instalar el cartucho de batería, alinee la lengüeta del cartucho de batería con la ranura del alojamiento y deslícelo al interior hasta encajarlo en su sitio. Insértelo por completo hasta que se bloquee en su sitio con un pequeño chasquido. Si puede ver el indicador rojo como se muestra en la figura, no estará bloqueado completamente.

**⚠PRECAUCIÓN:** Instale siempre el cartucho de batería completamente hasta que no pueda verse el indicador rojo. En caso contrario, podrá caerse accidentalmente de la herramienta y ocasionarle heridas a usted o a alguien que esté cerca de usted.

**⚠PRECAUCIÓN:** No instale el cartucho de batería empleando fuerza. Si el cartucho no se desliza al interior fácilmente, será porque no está siendo insertado correctamente.

## Modo de indicar la capacidad de batería restante

Presione el botón de comprobación en el cartucho de batería para indicar la capacidad de batería restante. Las lámparas indicadoras se iluminan durante unos pocos segundos.

► **Fig.2:** 1. Lámparas indicadoras 2. Botón de comprobación

Lámparas indicadoras			Capacidad restante
Iluminada	Apagada	Parpadeando	
			75% a 100%
			50% a 75%
			25% a 50%
			0% a 25%
			Cargue la batería.
			Puede que la batería no esté funcionando bien.

**NOTA:** Dependiendo de las condiciones de utilización y de la temperatura ambiente, la indicación podrá variar ligeramente de la capacidad real.

**NOTA:** La primera lámpara indicadora (extremo izquierdo) parpadeará cuando el sistema de protección de la batería esté funcionando.

## Sistema de protección de la herramienta / batería

La herramienta está equipada con un sistema de protección de la herramienta/batería. Este sistema corta automáticamente la alimentación del motor para alargar la vida útil de la herramienta y la batería. La herramienta se detendrá automáticamente durante la operación si la herramienta es puesta en una de las condiciones siguientes:

► **Fig.3:** 1. Lámpara de precaución

Lámpara de precaución			Estado
Color	Encendido	Parpadeando	
Verde			Sobrecarga
Rojo			Recalentamiento
Rojo			Descarga excesiva

**AVISO:** Dependiendo de las condiciones de utilización, la herramienta se parará automáticamente sin ninguna indicación si las ramas o los desechos se enredan en la herramienta. En este caso, apague la herramienta y retire el cartucho de batería, y después retire las ramas o los restos enredados utilizando utensilios tales como alicates. Después de retirar las ramas o los restos, instale el cartucho de batería y encienda la herramienta otra vez.

## Protección contra sobrecarga

Si la herramienta o la batería se sobrecarga con ramas enredadas u otros restos, la herramienta se detendrá automáticamente y la lámpara de precaución comenzará a parpadear en verde.

En esta situación, apague la herramienta y detenga la aplicación que ocasiona que la herramienta se sobrecargue. Después encienda la herramienta para volver a empezar.

## Protección contra recalentamiento para la herramienta o la batería

Si la herramienta o el cartucho de batería se recalienta, la herramienta se detiene automáticamente. Cuando la herramienta se recalienta, la lámpara de precaución se ilumina en rojo. Cuando el cartucho de batería se recalienta, la lámpara de precaución parpadea en rojo. Deje que la herramienta y/o la batería se enfríen antes de encender la herramienta otra vez.

## Protección contra descarga excesiva

Cuando la capacidad de batería sea baja, la herramienta se detendrá automáticamente y la lámpara de precaución comenzará a parpadear en rojo.

Si la herramienta no funciona aun cuando los interruptores sean accionados, retire el cartucho de batería de la herramienta y cárguelo.

## Protecciones contra otras causas

También hay un sistema de protección diseñado para otras causas que pueden dañar la herramienta y permite a la herramienta detenerse automáticamente. Realice todos los pasos siguientes para despejar las causas, cuando la herramienta haya sido llevada a una pausa temporal o a una parada en la operación.

1. Apague la herramienta, y después enciéndala otra vez para volver a empezar.
2. Cargue la(s) batería(s) o reemplácela(s) con una batería(s) recargada(s).
3. Deje que la herramienta y la(s) batería(s) se enfríen.

Si no se nota una mejora al restablecer el sistema de protección, póngase en contacto con el centro de servicio Makita local.

## Accionamiento del interruptor de alimentación

**⚠ADVERTENCIA:** Para su seguridad, esta herramienta está equipada con una palanca que evita que la herramienta se ponga en marcha de forma no intencionada. No utilice NUNCA la herramienta si se pone en marcha cuando usted simplemente aprieta los gatillos interruptores sin presionar la palanca. Traiga la herramienta a nuestro centro de servicio autorizado para hacer la reparación apropiada ANTES de seguir utilizándola.

**⚠ADVERTENCIA:** No sujete NUNCA con cinta o anule la finalidad o la función de la palanca.

**⚠ADVERTENCIA:** Antes de instalar el cartucho de batería en la herramienta, compruebe siempre para ver que los gatillos interruptores y la palanca se accionan debidamente y que vuelven a la posición “desactivada” cuando se liberan. La utilización de una herramienta con un interruptor que no se acciona debidamente puede dar lugar a la pérdida de control y heridas personales graves.

**⚠PRECAUCIÓN:** No transporte nunca la herramienta con el dedo puesto en los gatillos interruptores. La herramienta podrá ponerse en marcha involuntariamente y ocasionar heridas.

**AVISO:** No apriete con fuerza el gatillo interruptor sin presionar la palanca. Podría ocasionar la rotura del interruptor.

Presione el botón de alimentación principal para encender la herramienta. Para apagar la herramienta, mantenga presionado el botón de alimentación principal hasta que los indicadores de velocidad se apaguen.

► Fig.4: 1. Botón de alimentación principal

**NOTA:** La lámpara de precaución parpadeará si se aprieta el gatillo interruptor en condiciones en las que la operación no es posible. La lámpara de precaución parpadeará si activa el interruptor de alimentación principal mientras mantiene presionados la palanca y el gatillo interruptor.

**NOTA:** Esta herramienta emplea la función de desconexión automática de la alimentación. Para evitar una puesta en marcha no intencionada, el interruptor de alimentación principal se inhabilitará automáticamente cuando no se apriete el gatillo interruptor durante un cierto periodo de tiempo después de activar el interruptor de alimentación principal.




Para evitar que el gatillo interruptor pueda ser apretado accidentalmente, se ha provisto de la palanca. Para poner en marcha la herramienta, apriete el gatillo interruptor delantero, y después apriete el gatillo interruptor trasero mientras presiona la palanca. Cuando suelte cualquiera de los gatillos interruptores, la herramienta se parará.

► Fig.5: 1. Palanca 2. Gatillo interruptor trasero 3. Gatillo interruptor delantero

## Ajuste de la velocidad

Puede ajustar la velocidad de la herramienta presionando el botón de alimentación principal. Cada vez que presione el botón de alimentación principal, cambiará el nivel de velocidad.

► Fig.6: 1. Indicador de velocidad 2. Botón de alimentación principal

Indicador de velocidad	Modo	Velocidad de carrera
	Alto	5.000 min <sup>-1</sup>
	Medio	3.600 min <sup>-1</sup>
	Bajo	2.000 min <sup>-1</sup>

## Botón de inversión para retirar restos

**⚠ADVERTENCIA:** Si las ramas o los restos enredados no se pueden retirar con la función de inversión, apague la herramienta y retire el cartucho de batería, y después retire las ramas o los restos enredados utilizando utensilios tales como alicates. No apagar la herramienta y retirar el cartucho de batería puede resultar en heridas personales graves por una puesta en marcha accidental. Retirar con la mano las ramas y los desechos enredados puede ocasionar heridas, ya que las cuchillas de tijeras se pueden mover como reacción al retirarlas.

Esta herramienta tiene un botón de inversión para cambiar la dirección del movimiento de las cuchillas de tijeras. Este es solamente para retirar ramas y restos enredados en la herramienta.

Para invertir el movimiento de las cuchillas de tijeras, presione el botón de inversión cuando las cuchillas de tijeras se hayan detenido, después apriete el gatillo interruptor delantero, y después apriete el gatillo interruptor trasero mientras presiona la palanca. Los indicadores de velocidad comenzarán a parpadear, y las cuchillas de tijeras se moverán en dirección inversa. Cuando las ramas y restos enredados sean retirados, la herramienta volverá al movimiento normal y los indicadores de velocidad dejarán de parpadear y se iluminarán.

► Fig.7: 1. Indicador de velocidad 2. Botón de inversión

**NOTA:** Si las ramas o restos enredados no se pueden retirar, libere los gatillos interruptores, después presione el botón de inversión, y después apriete los gatillos interruptores hasta que sean retirados.

**NOTA:** Si golpea ligeramente con el dedo el botón de inversión mientras las cuchillas de tijeras todavía están moviéndose, la herramienta se detendrá y estará lista para el movimiento inverso.

## Función electrónica

La herramienta está equipada con funciones electrónicas para facilitar la operación.

- Control de velocidad constante  
La función de control de velocidad brinda la velocidad de rotación constante independientemente de las condiciones de carga.
- Freno eléctrico  
Esta herramienta está equipada con un freno eléctrico. Si la herramienta consistentemente deja de parar rápidamente las cuchillas de tijeras después de liberar el gatillo interruptor, haga que la herramienta sea servida en un centro de servicio autorizado Makita.
- Función de prevención de reinicio de puesta en marcha accidental  
Aunque instale el cartucho de batería mientras aprieta el gatillo interruptor, la herramienta no se pondrá en marcha. Para poner en marcha la herramienta, primero suelte el gatillo interruptor, y después apriete el gatillo interruptor.

## MONTAJE

**⚠PRECAUCIÓN:** Asegúrese siempre de que la herramienta está apagada y el cartucho de batería retirado antes de realizar cualquier trabajo en la herramienta.

**⚠PRECAUCIÓN:** Cuando reemplace las cuchillas de tijeras, póngase siempre guantes de forma que sus manos no entren en contacto directamente con las cuchillas de tijeras.

**AVISO:** Cuando reemplace las cuchillas de tijeras, no limpie la grasa del engranaje y el cigüeñal.

## Instalación o desmontaje de las cuchillas de tijeras

**⚠PRECAUCIÓN:** Coloque la cubierta de las cuchillas antes de retirar o instalar las cuchillas de tijeras.

Puede instalar cuchillas de tijeras de 600 mm o 750 mm en su herramienta.

**NOTA:** Si cambia las cuchillas de tijeras a una longitud diferente, reemplace el recibidor de virutas con uno que encaje en las cuchillas.

1. Retire cuatro tornillos (para UH013G) o cinco tornillos (para UH014G), y después retire el recibidor de virutas de la herramienta.

### Para UH013G

► **Fig.8:** 1. Recibidor de virutas 2. Tornillo

### Para UH014G

► **Fig.9:** 1. Recibidor de virutas 2. Tornillo

2. Coloque la herramienta cabeza abajo, y después retire seis pernos.

► **Fig.10:** 1. Perno

3. Retire la cubierta y la placa.

► **Fig.11:** 1. Cubierta 2. Placa

**NOTA:** La placa puede permanecer en la cubierta.

4. Retire la biela y el cojinete.

► **Fig.12:** 1. Biela 2. Cojinete

**NOTA:** La biela o el cojinete puede permanecer en la cubierta.

5. Retire tres tornillos, tres casquillos y la almohadilla de fieltro, y después retire la cuchillas de tijeras.

► **Fig.13:** 1. Tornillo 2. Casquillo 3. Almohadilla de fieltro 4. Cuchillas de tijeras

**AVISO:** Tenga cuidado de no perder los tornillos.

6. Retire la cubierta de las cuchillas, y después colóquela en las cuchillas de tijeras nuevas.

► **Fig.14**

7. Ajuste el cigüeñal de manera que dos agujeros estén alineados en la línea de alineación.

► **Fig.15:** 1. Agujero 2. Línea de alineación

8. Alinee los salientes de las cuchillas de tijeras verticalmente en la misma posición.

► **Fig.16:** 1. Saliente

9. Inserte el tornillo retirado en el paso 5 en los agujeros de la cubierta de las cuchillas y de las cuchillas de tijeras para fijar temporalmente las cuchillas de tijeras, y después coloque la almohadilla de fieltro en las cuchillas de tijeras.

► **Fig.17:** 1. Tornillo 2. Almohadilla de fieltro 3. Agujero

10. Inserte el saliente de las cuchillas de tijeras en el agujero de la biela, y después alinee la posición de la almohadilla de fieltro con los agujeros de la herramienta. Coloque dos casquillos nuevos.

► **Fig.18:** 1. Almohadilla de fieltro 2. Saliente 3. Agujero 4. Casquillo

**AVISO:** Aplique una pequeña cantidad de grasa a la periferia interior del agujero de la biela.

**AVISO:** Tenga cuidado de no perder los casquillos.

11. Alinee los agujeros de los casquillos, y de las cuchillas de tijeras con los agujeros de la herramienta, y después apriete dos tornillos para fijar temporalmente las cuchillas de tijeras.

► **Fig.19:** 1. Tornillo

12. Retire el tornillo insertado en el agujero de las cuchillas de tijeras en el paso 9, y después deslice la cubierta de las cuchillas.

► **Fig.20:** 1. Tornillo

13. Coloque un casquillo nuevo.

► **Fig.21:** 1. Casquillo

14. Apriete el tornillo junto con el casquillo para fijar las cuchillas de tijeras.

► **Fig.22:** 1. Tornillo

15. Apriete firmemente los tornillos que fueron fijados temporalmente en el paso 11.

16. Coloque el cojinete y la biela.

► Fig.23: 1. Biela 2. Agujero pequeño 3. Cojinete

**AVISO:** Aplique una pequeña cantidad de grasa a la periferia interior del agujero pequeño de la biela.

**AVISO:** Asegúrese de que el saliente de las cuchillas de tijeras encaja en el agujero pequeño de la biela.

17. Coloque la placa.

► Fig.24: 1. Saliente 2. Placa

**AVISO:** Asegúrese de que el saliente de las cuchillas de tijeras encaja en el agujero de la placa.

18. Coloque la cubierta, y después apriete seis pernos.

► Fig.25: 1. Perno 2. Cubierta

19. Coloque el recibidor de virutas en la herramienta apretando cuatro tornillos (para UH013G) o cinco tornillos (para UH014G).

Para UH013G

► Fig.26: 1. Recibidor de virutas 2. Tornillo

Para UH014G

► Fig.27: 1. Recibidor de virutas 2. Tornillo

**AVISO:** Si las cuchillas de tijeras no se mueven suavemente, las cuchillas de tijeras no estarán acopladas debidamente con las bielas. Instale las cuchillas de tijeras otra vez.

**AVISO:** Si partes distintas de las cuchillas de tijeras tales como las bielas se desgastan, pida en centros de servicio autorizados de Makita que reemplacen las piezas o que le hagan las reparaciones.

## Desmontaje o instalación del recibidor de virutas

**PRECAUCIÓN:** Cuando instale o retire el recibidor de virutas, póngase siempre guantes de manera que sus manos no entren en contacto directamente con las cuchillas de tijeras.

El recibidor de virutas recoge las hojas descartadas y hace que la limpieza después sea mucho más fácil.

Para retirar el recibidor de virutas, retire cuatro tornillos (para UH013G) o cinco tornillos (para UH014G), y después retire el recibidor de virutas de la herramienta. Para instalar el recibidor de virutas, siga el procedimiento de desmontaje a la inversa.

Para UH013G

► Fig.28: 1. Recibidor de virutas 2. Tornillo

Para UH014G

► Fig.29: 1. Recibidor de virutas 2. Tornillo

## OPERACIÓN

**ADVERTENCIA:** Mantenga las manos alejadas de las cuchillas de tijeras.

**PRECAUCIÓN:** Evite operar la herramienta en tiempo muy cálido tanto como sea práctico. Cuando utilice la herramienta, tenga cuidado de su condición física.

**PRECAUCIÓN:** Tenga cuidado de no hacer contacto accidental con una valla de metal u otros objetos duros mientras recorta. Las cuchillas de tijeras podrán romperse y ocasionar heridas.

**PRECAUCIÓN:** Tenga cuidado de no permitir que las cuchillas de tijeras entren en contacto con el suelo. La herramienta podrá recular y ocasionar heridas.

**PRECAUCIÓN:** Recortar con un cortasetos donde no se alcanza, particularmente desde una escalera, es extremadamente peligroso. No trabaje mientras está subido en cualquier cosa tambaleante o inestable.

**AVISO:** No intente cortar ramas más gruesas de 10 mm de diámetro con la herramienta. Corte las ramas a 10 cm por debajo de la altura de corte utilizando cortadores de ramas antes de utilizar la herramienta.

► Fig.30: (1) Altura de corte (2) 10 cm

**AVISO:** No tale árboles muertos u objetos duros similares. Si lo hace podrá dañar la herramienta.

**AVISO:** No recorte hierba o maleza mientras utiliza las cuchillas de tijeras. Las cuchillas de tijeras podrán enredarse en la hierba o maleza.

Sujete la empuñadura delantera con su mano derecha y la empuñadura trasera con su mano izquierda. Apriete el gatillo interruptor delantero, después apriete el gatillo interruptor trasero mientras presiona la palanca, y después mueva la herramienta hacia delante.

► Fig.31

Para operación básica, incline las cuchillas de tijeras hacia la dirección de recorte y muévalas con calma y despacio a una velocidad de 3 a 4 segundos por metro.

► Fig.32

Para cortar uniformemente la parte superior de un seto, ate una cuerda a la altura deseada y recorte a lo largo de ella.

► Fig.33

El recibidor de virutas recoge las hojas descartadas y hace que la limpieza después sea mucho más fácil.

► Fig.34

Para cortar el costado de un seto uniformemente, corte desde abajo hacia arriba.

► Fig.35

Cuando recorte para hacer una forma redonda (recorte de boj o rododendro, etc.), recorte desde la raíz hacia la parte superior para obtener un bonito acabado.

► Fig.36

## MANTENIMIENTO

**⚠ PRECAUCIÓN:** Asegúrese siempre de que la herramienta está apagada y de que el cartucho de batería está retirado antes de intentar hacer una inspección o mantenimiento.

Para mantener la SEGURIDAD y FIABILIDAD del producto, las reparaciones, y cualquier otra tarea de mantenimiento o ajuste deberán ser realizadas en centros de servicio o de fábrica autorizados por Makita, empleando siempre repuestos Makita.

### Limpeza de la herramienta

Limpie la herramienta quitando el polvo con un paño seco o uno sumergido en agua jabonosa y escurrido.

**AVISO:** No utilice nunca gasolina, bencina, disolvente, alcohol o similares. Podría producir descoloración, deformación o grietas.

### Mantenimiento de las cuchillas de tijeras

Antes de la operación o una vez por hora durante la operación, aplique aceite de baja viscosidad (aceite para máquinas, o aceite de lubricación de tipo aerosol) a las cuchillas de tijeras.

► Fig.37

Después de la operación, retire el polvo de las cuchillas de tijeras con un cepillo de alambres, limpie las cuchillas con un paño y después aplique aceite de baja viscosidad (aceite para máquinas, o aceite de lubricación de tipo aerosol) a las cuchillas de tijeras.

► Fig.38

**AVISO:** No lave las cuchillas de tijeras en agua. Si lo hace podrá ocasionar oxidación o daño a la herramienta.

**AVISO:** La suciedad y la corrosión ocasionan una fricción excesiva de la cuchilla y acortan el tiempo de operación por cada carga de batería.

### Almacenamiento

El agujero para gancho en la parte inferior de la herramienta resulta útil para colgar la herramienta en un clavo o tornillo en la pared.

Retire el cartucho de batería de la herramienta, y después coloque la cubierta de las cuchillas en las cuchillas de tijeras de forma que las cuchillas no queden expuestas. Guarde la herramienta alejada del alcance de los niños. Almacene la herramienta en un lugar no expuesto a la humedad o la lluvia.

► Fig.39: 1. Agujero

## Afilado de las cuchillas de tijeras

**AVISO:** Si las cuchillas de tijeras se han deformado considerablemente debido al afilado, reemplace las cuchillas de tijeras con unas nuevas.

1. Instale el cartucho de batería en la herramienta.
2. Encienda y ponga en marcha la herramienta de manera que la cuchilla superior y la cuchilla inferior estén posicionadas alternativamente.  
► Fig.40
3. Apague la herramienta y retire el cartucho de batería de la herramienta.
4. Ajuste el ángulo de la lima a 45°, y afile la cuchilla superior desde 3 direcciones con la lima.  
► Fig.41: (1) Lima (2) 45°

**⚠ PRECAUCIÓN:** Antes de afilar las cuchillas de tijeras, asegúrese de que la herramienta está apagada y el cartucho de batería retirado de la herramienta.

5. Coloque la herramienta cabeza abajo, y después retire las rebabas de las cuchillas de tijeras con la piedra de acondicionamiento.  
► Fig.42: 1. Piedra de acondicionamiento
6. Ajuste el ángulo de la lima a 45°, y afile la cuchilla inferior desde 3 direcciones con la lima.
7. Vuelva a colocar la herramienta en la posición normal, y después retire las rebabas de las cuchillas de tijeras con la piedra de acondicionamiento.

## Lubricación con grasa

**Intervalo de lubricación:** Cada 50 horas de operación

1. Retire el perno del agujero para lubricación.  
► Fig.43: 1. Perno
2. Retire la tapa del tubo de grasa. Alinee la salida del tubo de grasa con el agujero de la cubierta, y después presione la salida del tubo de grasa contra el agujero.  
► Fig.44: 1. Tubo de grasa 2. Agujero
3. Aplique la grasa a la herramienta (aproximadamente 5 g a modo de guía).
4. Apriete el perno.

# SOLUCIÓN DE PROBLEMAS

Antes de solicitar reparaciones, realice su propia inspección en primer lugar. Si encuentra un problema que no está explicado en el manual, no intente desmontar la herramienta. En su lugar, pregunte en los centros de servicio autorizados Makita, utilizando siempre piezas de recambio Makita para las reparaciones.

Estado de anomalía	Causa probable (mal funcionamiento)	Remedio
El motor no se pone en marcha.	El cartucho de batería no está instalado.	Instale el cartucho de batería.
	Problema de batería (poca tensión)	Recargue la batería. Si la recarga no se realiza efectivamente, reemplace la batería.
	El sistema de accionamiento no funciona correctamente.	Pida a su centro de servicio autorizado local que le hagan la reparación.
El motor se para después de usarlo un poco.	El nivel de carga de la batería es bajo.	Recargue la batería. Si la recarga no se realiza efectivamente, reemplace la batería.
	Recalentamiento.	Deje de utilizar la herramienta para permitir que se enfríe.
La herramienta no alcanza el máximo de RPM.	La batería está instalada incorrectamente.	Instale el cartucho de batería como se describe en este manual.
	La potencia de la batería está cayendo.	Recargue la batería. Si la recarga no se realiza efectivamente, reemplace la batería.
	El sistema de accionamiento no funciona correctamente.	Pida a su centro de servicio autorizado local que le hagan la reparación.
Las cuchillas de tijeras no se mueven. ⇒ ¡detenga la máquina inmediatamente!	Hay objetos extraños enganchados entre las cuchillas de tijeras.	1. Utilice el botón de inversión. 2. Apague la herramienta y retire el cartucho de batería, y después retire los objetos extraños utilizando utensilios como alicates.
	El sistema de accionamiento no funciona correctamente.	Pida a su centro de servicio autorizado local que le hagan la reparación.
Vibración anormal: ⇒ ¡detenga la máquina inmediatamente!	Las cuchillas de tijeras están rotas, torcidas o gastadas.	Reemplace las cuchillas de tijeras.
	El sistema de accionamiento no funciona correctamente.	Pida a su centro de servicio autorizado local que le hagan la reparación.
Las cuchillas de tijeras y el motor no se pueden parar: ⇒ ¡Retire la batería inmediatamente!	Mal funcionamiento eléctrico.	Retire la batería y pida a su centro de servicio autorizado local que le hagan la reparación.

## ACCESORIOS OPCIONALES

**⚠PRECAUCIÓN:** Estos accesorios o aditamentos están recomendados para su uso con la herramienta Makita especificada en este manual.

El uso de cualquier otro accesorio o aditamento puede suponer un riesgo de heridas personales. Utilice el accesorio o aditamento solamente con la finalidad indicada para el mismo.

Si necesita cualquier ayuda para más detalles en relación con estos accesorios, pregunte al centro de servicio Makita local.

- Conjunto de cuchilla de tijeras
- Recibidor de virutas
- Tubo de grasa
- Batería y cargador genuinos de Makita

**NOTA:** Algunos elementos de la lista podrán estar incluidos en el paquete de la herramienta como accesorios estándar. Pueden variar de un país a otro.



## ESPECIFICAÇÕES

Modelo:	UH013G	UH014G
Comprimento da lâmina	600 mm	750 mm
Cursos por minuto	2.000/3.600/5.000 min <sup>-1</sup>	
Comprimento total	1.085 mm	1.225 mm
Tensão nominal	C.C. 36 V - 40 V máx.	
Peso líquido	3,9 - 4,5 kg	4,0 - 4,7 kg
Grau de proteção	IPX4	

- Devido a um programa contínuo de pesquisa e desenvolvimento, estas especificações estão sujeitas a alteração sem aviso prévio.
- As especificações podem variar de país para país.
- O peso poderá diferir em função do acessório(s), incluindo a bateria. A combinação mais leve e mais pesada, de acordo com o Procedimento EPTA 01/2014, é apresentada na tabela.

### Bateria e carregador aplicável

Bateria	BL4020* / BL4025* / BL4040* / BL4050F *: Bateria recomendada
Carregador	DC40RA / DC40RB / DC40RC

- Algumas das baterias e carregadores listados acima poderão não estar disponíveis, dependendo da sua região de residência.

**⚠️ AVISO:** Utilize apenas as baterias e carregadores listados acima. A utilização de quaisquer outras baterias e carregadores pode causar ferimentos e/ou um incêndio.




### Fonte de alimentação ligada por fio recomendada

Adaptador de baterias tipo mochila	PDC01 / PDC1200
------------------------------------	-----------------

- A(s) fonte(s) de alimentação ligada(s) por fio listada(s) acima pode(m) não estar disponível(eis) dependendo da sua região de residência.
- Antes de utilizar a fonte de alimentação ligada por fio, leia as instruções e etiquetas de precaução na mesma.

### Símbolos

A seguir são apresentados os símbolos que podem ser utilizados para o equipamento. Certifique-se de que compreende o seu significado antes da utilização.

	Leia o manual de instruções.
	PERIGO - Mantenha as mãos afastadas da lâmina.
	Use óculos de segurança.



Ni-MH  
Li-ion

Apenas para países da UE  
Devido à presença de componentes perigosos no equipamento, os resíduos de equipamentos elétricos e eletrônicos, acumuladores e baterias podem ter um impacto negativo no meio ambiente e na saúde humana.

Não elimine aparelhos elétricos e eletrônicos ou baterias juntamente com resíduos domésticos!

De acordo com a Diretiva europeia relativa aos resíduos de equipamentos elétricos e eletrônicos, acumuladores e baterias, bem como a respetiva adaptação à legislação nacional, os resíduos de equipamentos elétricos e eletrônicos, acumuladores e baterias devem ser armazenados separadamente e entregues num ponto de recolha separado para resíduos municipais, que opere de acordo com os regulamentos de proteção ambiental.

Tal é indicado pelo símbolo de contentor de lixo com rodas barrado com uma cruz colocado no equipamento.

### Utilização a que se destina

A ferramenta destina-se a aparar sebes.

## Ruído

Padrão aplicável : EN62841-4-2

Modelo	Nível de pressão sonora		Nível de potência sonora	
	L <sub>pA</sub> (dB(A))	K de incerteza (dB(A))	L <sub>WA</sub> (dB(A))	K de incerteza (dB(A))
UH013G	80	3	91	3
UH014G	81	3	92	3

**NOTA:** O(s) valor(es) da emissão de ruído indicado(s) foi medido de acordo com um método de teste padrão e pode ser utilizado para comparar duas ferramentas.

**NOTA:** O(s) valor(es) da emissão de ruído indicado(s) pode também ser utilizado na avaliação preliminar da exposição.

**⚠AVISO:** Utilize protetores auriculares.

**⚠AVISO:** A emissão de ruído durante a utilização real da ferramenta elétrica pode diferir do(s) valor(es) indicado(s), dependendo das formas como a ferramenta é utilizada, especialmente o tipo de peça de trabalho que é processada.

**⚠AVISO:** Certifique-se de identificar as medidas de segurança para proteção do operador que sejam baseadas em uma estimativa de exposição em condições reais de utilização (considerando todas as partes do ciclo de operação, tal como quando a ferramenta está desligada e quando está a funcionar em marcha lenta além do tempo de acionamento).

## Vibração

Valor total da vibração (soma vetorial tri-axial) determinado de acordo com a EN62841-4-2:

Modelo	Pega frontal		Pega traseira	
	ah (m/s <sup>2</sup> )	K de incerteza (m/s <sup>2</sup> )	ah (m/s <sup>2</sup> )	K de incerteza (m/s <sup>2</sup> )
UH013G	2,5	1,5	2,5 m/s <sup>2</sup> ou menos	1,5
UH014G	3,2	1,5	2,5 m/s <sup>2</sup> ou menos	1,5

**NOTA:** O(s) valor(es) total(ais) de vibração indicado(s) foi medido de acordo com um método de teste padrão e pode ser utilizado para comparar duas ferramentas.

**NOTA:** O(s) valor(es) total(ais) de vibração indicado(s) pode também ser utilizado na avaliação preliminar da exposição.

**⚠AVISO:** A emissão de vibração durante a utilização real da ferramenta elétrica pode diferir do(s) valor(es) indicado(s), dependendo das formas como a ferramenta é utilizada, especialmente o tipo de peça de trabalho que é processada.

**⚠AVISO:** Certifique-se de identificar as medidas de segurança para proteção do operador que sejam baseadas em uma estimativa de exposição em condições reais de utilização (considerando todas as partes do ciclo de operação, tal como quando a ferramenta está desligada e quando está a funcionar em marcha lenta além do tempo de acionamento).

## Declaração de conformidade da CE

*Apenas para os países europeus*

A declaração de conformidade da CE está incluída como Anexo A neste manual de instruções.

## AVISOS DE SEGURANÇA

### Avisos gerais de segurança para ferramentas elétricas

**⚠AVISO:** Leia todos os avisos de segurança, instruções, ilustrações e especificações fornecidos com esta ferramenta elétrica. O não cumprimento de todas as instruções indicadas em baixo pode resultar em choque elétrico, incêndio e/ou ferimentos graves.

## Guarde todos os avisos e instruções para futuras referências.

O termo “ferramenta elétrica” nos avisos refere-se às ferramentas elétricas ligadas à corrente elétrica (com cabo) ou às ferramentas elétricas operadas por meio de bateria (sem cabo).

### Avisos de Segurança para o Aparador De Cerca Viva a Bateria

- Mantenha todas as partes do corpo afastadas da lâmina. Não remova material cortado nem segure material a cortar quando as lâminas estiverem em movimento.** As lâminas continuam a mover-se depois de desligar o interruptor. Um momento de desatenção durante a operação do aparador de cerca viva pode resultar em ferimentos pessoais graves.
  - Transporte o aparador de cerca viva segurando a pega com a lâmina imobilizada e tendo cuidado para não operar qualquer interruptor de alimentação.** O transporte apropriado do aparador de cerca viva reduz o risco de arranque inadvertido e consequentes ferimentos pessoais resultantes das lâminas.
  - Quando transportar ou guardar o aparador de cerca viva, coloque sempre a tampa da lâmina.** O manuseamento apropriado do aparador de cerca viva reduz o risco de ferimentos pessoais resultantes das lâminas.
  - Quando desimpedir material encravado ou realizar a manutenção da unidade, certifique-se de que todos os interruptores de alimentação estão desligados e que o conjunto de baterias foi removido ou está desligado.** A atuação inesperada do aparador de cerca viva, ao desimpedir material encravado ou realizar a manutenção, pode resultar em ferimentos pessoais graves.
  - Segure o aparador de cerca viva apenas pelas superfícies de agarrar isoladas, porque a lâmina poderá tocar em fios ocultos.** O contacto das lâminas com um fio sob tensão pode colocar sob tensão as peças metálicas expostas do aparador de cerca viva e pode provocar um choque elétrico no operador.
  - Mantenha todos os cabos de alimentação afastados da área de corte.** Os cabos de alimentação podem estar ocultos em sebes ou arbustos e podem ser acidentalmente cortados pela lâmina.
  - Não utilize o aparador de cerca viva em más condições atmosféricas, especialmente quando existe o risco de relâmpagos.** Isto reduz o risco de ser atingido por um relâmpago.
- As pessoas que utilizam a ferramenta pela primeira vez devem ser instruídas por um utilizador experiente capaz de lhes demonstrar como utilizar a ferramenta.
  - Utilize a ferramenta apenas se estiver em boas condições físicas. Se estiver cansado, a sua atenção será reduzida. Tenha especial atenção no final de um dia de trabalho. Realize todo o trabalho com calma e cuidado. O utilizador é responsável por todos os danos causados a terceiros.
  - Nunca utilize a ferramenta se estiver sob a influência de álcool, drogas ou medicamentos.
  - As luvas de trabalho de couro robusto fazem parte do equipamento básico da ferramenta e têm de ser sempre usadas quando trabalhar com a mesma. Use sempre calçado robusto com solas antideslizantes.
  - Antes de iniciar o trabalho, certifique-se de que a ferramenta apresenta condições de trabalho adequadas e seguras. Assegure que os resguardos estão corretamente instalados. A ferramenta não deve ser utilizada se não estiver completamente montada.

#### Operação

- Segure a ferramenta firmemente com as duas mãos durante a sua utilização.
- A ferramenta destina-se a ser utilizada pelo operador ao nível do chão. Não utilize a ferramenta em escadas ou em qualquer outro apoio instável.
- PERIGO - Mantenha as mãos afastadas da lâmina.** O contacto com a lâmina resultará em lesões físicas graves.
- Certifique-se de que usou uma posição segura antes de iniciar a operação.
- Não opere a ferramenta sem carga desnecessariamente.
- Desligue imediatamente a ferramenta e retire a bateria se as lâminas de corte entrarem em contacto com uma cerca ou outro objeto duro. Verifique se as lâminas estão danificadas e, caso se encontrem danificadas, substitua-as imediatamente.
- Antes de verificar as lâminas de corte, reparar avarias ou remover material preso nas lâminas de corte, desligue sempre a ferramenta e remova a bateria.
- Nunca aponte as lâminas de corte na sua direção ou na direção de terceiros.
- Se as lâminas pararem devido ao encravamento de objetos estranhos entre as lâminas durante o funcionamento, desligue a ferramenta e remova a bateria e, em seguida, remova os objetos estranhos utilizando ferramentas, tais como um alicate. A remoção manual dos objetos estranhos pode causar ferimentos, uma vez que as lâminas podem mover-se como reação à remoção dos objetos estranhos.
- Quando utilizar a ferramenta em terreno lamacento, declives húmidos ou local escorregadio, preste atenção ao seu posicionamento.
- Não submerja a ferramenta numa poça.
- Não deixe a ferramenta sem supervisão no exterior à chuva.

## Instruções de segurança adicionais

### Preparação

- Verifique as sebes e os arbustos quanto a objetos estranhos, tais como cercas de arame ou fios ocultos antes de utilizar a ferramenta.
- A ferramenta não deve ser utilizada por crianças ou jovens com idade inferior a 18 anos. Os jovens com mais de 16 anos poderão estar isentos desta restrição se estiverem a receber formação sob a supervisão de um utilizador experiente.

## Segurança elétrica e da bateria

1. **Evite ambientes perigosos. Não utilize a ferramenta em locais húmidos ou molhados, nem a exponha à chuva.** A água que entra na ferramenta aumenta o risco de choque elétrico.
2. **Não elimine a(s) bateria(s) no fogo.** A célula pode explodir. Verifique com os códigos locais as possíveis instruções de eliminação especiais.
3. **Não abra nem mutile a(s) bateria(s).** O eletrólito libertado é corrosivo e pode provocar danos nos olhos ou na pele. Pode ser tóxico se for engolido.
4. **Não carregue a bateria sob chuva ou em locais húmidos.**
5. **Não carregue a bateria ao ar livre.**
6. **Não toque no carregador, incluindo a ficha do carregador e os terminais do carregador, com as mãos molhadas.**
7. **Não substitua a bateria com as mãos molhadas.**
8. **Não substitua a bateria à chuva.**
9. **Não molhe o terminal da bateria com líquido, tal como água, nem submerja a bateria. Não deixe a bateria à chuva nem carregue, utilize ou guarde a bateria num local húmido ou molhado.** Se o terminal ficar molhado ou entrar líquido para a bateria, a bateria pode entrar em curto-circuito e existe um risco de sobreaquecimento, incêndio ou explosão.
10. **Após remover a bateria da ferramenta ou do carregador, certifique-se de que prende a tampa da bateria à bateria e guarde-a num local seco.**
11. **Se a bateria ficar húmida, drene a água no interior e limpe-a com um pano seco. Seque a bateria completamente num local seco antes de utilizá-la.**

## Manutenção e armazenamento

1. **Desligue a ferramenta e remova a bateria antes de realizar qualquer trabalho de manutenção.**
2. **Quando mover a ferramenta para outro local, incluindo durante o trabalho, remova sempre a bateria e coloque a tampa da lâmina nas lâminas de corte. Nunca mova nem transporte a ferramenta com as lâminas em funcionamento. Nunca agarre as lâminas com as mãos.**
3. **Limpe a ferramenta, e especialmente as lâminas de corte, após a utilização e antes de armazenar a ferramenta por períodos prolongados. Lubrifique ligeiramente as lâminas e coloque a tampa da lâmina.**
4. **Guarde a ferramenta com a tampa da lâmina colocada num local seco. Mantenha-o fora do alcance das crianças. Nunca guarde a ferramenta em espaços exteriores.**
5. **Não elimine a(s) bateria(s) no fogo. A célula pode explodir. Verifique com os códigos locais as possíveis instruções de eliminação especiais.**
6. **Não abra nem mutile a(s) bateria(s).** O eletrólito libertado é corrosivo e pode provocar danos nos olhos ou na pele. Pode ser tóxico se for engolido.
7. **Não carregue a bateria sob chuva ou em locais húmidos.**

8. **Quando guardar a ferramenta, evite a luz solar direta e a chuva e guarde-a num local onde não fique quente ou húmido.**

## GUARDE ESTAS INSTRUÇÕES.

**AVISO:** NÃO permita que conforto ou familiaridade com o produto (adquirido com o uso repetido) substitua a aderência estrita às regras de segurança da ferramenta. **MÁ INTERPRETAÇÃO ou não seguimento das regras de segurança estabelecidas neste manual de instruções pode causar danos pessoais sérios.**

## Instruções de segurança importantes para a bateria

1. **Antes de utilizar a bateria, leia todas as instruções e etiquetas de precaução no (1) carregador de bateria (2) bateria e (3) produto que utiliza a bateria.**
2. **Não desmonte ou manipule a bateria.** Pode resultar num incêndio, em calor excessivo ou numa explosão.
3. **Se o tempo de funcionamento se tornar excessivamente curto, pare o funcionamento imediatamente. Pode resultar em sobreaquecimento, possíveis queimaduras e mesmo explosão.**
4. **Se entrar eletrólito nos seus olhos, lave-os com água e consulte imediatamente um médico. Pode resultar em perda de visão.**
5. **Não coloque a bateria em curto-circuito:**
  - (1) **Não toque nos terminais com qualquer material condutor.**
  - (2) **Evite guardar a bateria juntamente com outros objetos metálicos tais como pregos, moedas, etc.**
  - (3) **Não exponha a bateria à água ou chuva. Um curto-circuito pode ocasionar um enorme fluxo de corrente, sobreaquecimento, possíveis queimaduras e mesmo estragar-se.**
6. **Não guarde nem utilize a ferramenta e a bateria em locais onde a temperatura pode atingir ou exceder 50 °C.**
7. **Não queime a bateria mesmo que esteja estragada ou completamente gasta. A bateria pode explodir no fogo.**
8. **Não pregue, corte, esmague, atire, deixe cair a bateria, nem bata a bateria contra um objeto rijo.** Esta conduta pode resultar num incêndio, em calor excessivo ou numa explosão.
9. **Não utilize uma bateria danificada.**
10. **As baterias de íões de lítio contidas na ferramenta são sujeitas aos requisitos da DGL (Dangerous Goods Legislation - Legislação de bens perigosos).** Para o transporte comercial, por exemplo, por terceiros ou agentes de expedição, têm de ser observados os requisitos referentes à embalagem e etiquetagem. Para preparação do artigo a ser expedido, é necessário consultar um perito em materiais perigosos. Tenha ainda em conta a possibilidade de existirem regulamentos nacionais mais detalhados.  
Coloque fita-cola ou tape os contactos abertos e embale a bateria de tal forma que não possa mover-se dentro da embalagem.

11. Quando eliminar a bateria, remova-a da ferramenta e elimine-a num local seguro. Siga os regulamentos locais relacionados com a eliminação de baterias.
12. Utilize as baterias apenas com os produtos especificados pela Makita. Instalar as baterias em produtos não-conformes poderá resultar num incêndio, calor excessivo, explosão ou fuga de eletrólito.
13. Se a ferramenta não for utilizada durante um período de tempo prolongado, a bateria deve ser removida da ferramenta.
14. Durante e após a utilização, a bateria pode aquecer, o que pode provocar queimaduras ou queimaduras a baixa temperatura. Preste atenção ao manuseamento de baterias quentes.
15. Não toque no terminal da ferramenta imediatamente após a utilização, pois pode ficar suficientemente quente para provocar queimaduras.
16. Não permita a adesão de aparas, pó ou sujidade nos terminais, nos orifícios e nas ranhuras da bateria. Poderá fazer com que a ferramenta ou a bateria aqueça, incendeie, rebente e avarie, resultando em queimaduras ou ferimentos corporais.
17. A menos que a ferramenta suporte a utilização perto de linhas elétricas de alta tensão, não utilize a bateria perto de linhas elétricas de alta tensão. Pode resultar no mau funcionamento ou na avaria da ferramenta ou bateria.
18. Mantenha a bateria afastada das crianças.

## GUARDE ESTAS INSTRUÇÕES.

**⚠️PRECAUÇÃO:** Utilize apenas baterias genuínas da Makita. A utilização de baterias não genuínas da Makita ou de baterias que foram alteradas, pode resultar no rebentamento da bateria provocando incêndios, ferimentos pessoais e danos. Além disso, anulará da garantia da Makita no que se refere à ferramenta e ao carregador Makita.

## Conselhos para manter a máxima vida útil da bateria

1. Carregue a bateria antes que esteja completamente descarregada. Pare sempre o funcionamento da ferramenta e carregue a bateria quando notar menos poder na ferramenta.
2. Nunca carregue uma bateria completamente carregada. Carregamento excessivo diminui a vida útil da bateria.
3. Carregue a bateria à temperatura ambiente de 10 °C – 40 °C. Deixe que uma bateria quente arrefeça antes de a carregar.
4. Quando não utilizar a bateria, remova-a da ferramenta ou do carregador.
5. Carregue a bateria se não a utilizar durante um longo período de tempo (mais de seis meses).

## DESCRIÇÃO FUNCIONAL

**⚠️PRECAUÇÃO:** Certifique-se sempre de que a ferramenta está desligada e a bateria foi retirada antes de regular ou verificar qualquer função na ferramenta.

## Instalação ou remoção da bateria

**⚠️PRECAUÇÃO:** Desligue sempre a ferramenta antes de colocar ou retirar a bateria.

**⚠️PRECAUÇÃO:** Segure firmemente a ferramenta e a bateria quando instalar ou remover a bateria. Se não segurar firmemente a ferramenta e a bateria pode fazer com que escorreguem das suas mãos resultando em danos na ferramenta e na bateria e ferimentos pessoais.

► Fig.1: 1. Indicador vermelho 2. Botão 3. Bateria

Para retirar a bateria, deslize-a para fora da ferramenta enquanto desliza o botão na frente da bateria.

Para instalar a bateria, alinhe a lingueta na bateria com a ranhura na caixa e deslize-a para a posição correta. Insira-a por completo até bloquear na posição correta com um pequeno clique. Se conseguir ver o indicador vermelho conforme apresentado na figura, não está completamente bloqueada.

**⚠️PRECAUÇÃO:** Instale sempre a bateria até ao fim, até deixar de ver o indicador vermelho.

Caso contrário, a bateria poderá cair da ferramenta acidentalmente e provocar ferimentos em si mesmo ou em alguém próximo.

**⚠️PRECAUÇÃO:** Não instale a bateria à força. Se a bateria não deslizar facilmente é porque não foi colocada corretamente.

## Indicação da capacidade restante da bateria

Prima o botão de verificação na bateria para indicar a capacidade restante da bateria. As luzes indicadoras acendem durante alguns segundos.

► Fig.2: 1. Luzes indicadoras 2. Botão de verificação

Luzes indicadoras			Capacidade restante
Acaso	Apagado	A piscar	
			75% a 100%
			50% a 75%
			25% a 50%
			0% a 25%
			Carregar a bateria.
			A bateria pode estar avariada.

**NOTA:** Dependendo das condições de utilização e da temperatura ambiente, a indicação pode ser ligeiramente diferente da capacidade real.

**NOTA:** A primeira luz indicadora (extremo esquerdo) pisca quando o sistema de proteção da bateria funciona.

## Sistema de proteção da ferramenta/bateria

A ferramenta está equipada com um sistema de proteção da ferramenta/bateria. Este sistema desliga automaticamente a alimentação do motor para prolongar a vida útil da ferramenta e da bateria. A ferramenta para automaticamente durante o funcionamento se estiver sujeita a uma das seguintes condições:

► **Fig.3:** 1. Luz de precaução

Luz de precaução		Estado
Cor	● Aceso / ● A piscar	
Verde	●	Sobrecarga
Vermelho	● (ferramenta) / ● (bateria)	Sobreaquecimento
Vermelho	●	Sobredescarga

**OBSERVAÇÃO:** Dependendo das condições de utilização, a ferramenta para automaticamente sem qualquer indicação se os ramos ou detritos estiverem emaranhados na ferramenta. Neste caso, desligue a ferramenta e remova a bateria e, em seguida, remova os ramos emaranhados ou detritos utilizando ferramentas, tais como um alicate. Após remover os ramos ou detritos, instale a bateria e ligue a ferramenta novamente.

## Proteção contra sobrecarga

Se a ferramenta ou bateria estiver sobrecarregada com ramos enredados ou outros detritos, a ferramenta para automaticamente e a luz de precaução começa a piscar a verde.

Nesta situação, desligue a ferramenta e pare a aplicação que provocou a sobrecarga na ferramenta. Depois, ligue a ferramenta para a reiniciar.

## Proteção contra sobreaquecimento da ferramenta ou bateria

Se a ferramenta ou a bateria estiver sobreaquecida, a ferramenta para automaticamente. Quando a ferramenta estiver sobreaquecida, a luz de precaução acende a vermelho. Quando a bateria estiver sobreaquecida, a luz de precaução pisca a vermelho. Deixe a ferramenta e/ou bateria arrefecer antes de a voltar a ligar.

## Proteção contra descarga excessiva

Quando a capacidade da bateria diminuir, a ferramenta para automaticamente e a luz de precaução começa a piscar a vermelho.

Se a ferramenta não funcionar mesmo quando os interruptores são acionados, retire a bateria da ferramenta e carregue-a.

## Proteções contra outras causas

O sistema de proteção foi também concebido para outras causas que possam danificar a ferramenta e permite à ferramenta parar automaticamente. Tome todas as medidas que se seguem para eliminar as causas quando a ferramenta tiver parado ou interrompido temporariamente a operação.

1. Desligue a ferramenta e, em seguida, volte a ligá-la para reiniciar.
2. Carregue a(s) bateria(s) ou substitua-a(s) por bateria(s) recarregada(s).
3. Deixe a máquina e a(s) bateria(s) arrefecerem.

Se não for possível constatar qualquer melhoria através do restauro do sistema de proteção, contacte o centro de assistência Makita local.

## Ação do interruptor de alimentação

**AVISO:** Para sua segurança, esta ferramenta está equipada com alavanca que impede que a ferramenta efetue o arranque inadvertidamente. **NUNCA** utilize a ferramenta se esta funcionar quando simplesmente puxa os gatilhos dos interruptores sem pressionar a alavanca. Devolva a ferramenta ao nosso centro de assistência autorizado para obter as reparações adequadas ANTES de continuar a utilizá-la.

**AVISO:** **NUNCA** coloque fita nem prejudique o funcionamento e a finalidade da alavanca.

**AVISO:** Antes de instalar a bateria na ferramenta, verifique sempre se os gatilhos dos interruptores e a alavanca funcionam corretamente e se retornam à posição “DESLIGADO” quando libertados. Utilizar uma ferramenta com um interruptor que não atua corretamente pode provocar a perda de controlo e ferimentos graves.

**PRECAUÇÃO:** **Nunca** coloque o dedo nos gatilhos dos interruptores durante o transporte. A ferramenta pode arrancar inadvertidamente e causar ferimentos.

**OBSERVAÇÃO:** Não puxe o gatilho do interruptor com força sem pressionar a alavanca. Esta ação pode provocar a quebra do interruptor.

Pressione o botão de alimentação principal para ligar a ferramenta. Para desligar a ferramenta, prima e mantenha premido o botão de alimentação principal até os indicadores de velocidade apagarem.

► **Fig.4:** 1. Botão de alimentação principal

**NOTA:** A luz de precaução pisca se o gatilho do interruptor for puxado em condições de não funcionamento. A luz de precaução pisca se ligar o interruptor de alimentação principal enquanto pressiona a alavanca e o gatilho do interruptor para baixo.

**NOTA:** Esta ferramenta tem uma função de desligar automático. Para evitar o arranque não intencional, o interruptor de alimentação principal desliga automaticamente quando o gatilho do interruptor não é puxado durante um determinado período de tempo, depois de se ligar o interruptor de alimentação principal.



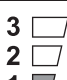
Para evitar que o gatilho do interruptor seja puxado acidentalmente, existe a alavanca. Para arrancar a ferramenta, puxe o gatilho do interruptor dianteiro e depois puxe o gatilho do interruptor traseiro enquanto pressiona a alavanca. Quando soltar um dos gatilhos dos interruptores, a ferramenta para.

- **Fig.5:** 1. Alavanca 2. Gatilho do interruptor traseiro  
3. Gatilho do interruptor dianteiro

## Ajuste da velocidade

Pode ajustar a velocidade da ferramenta pressionando o botão de alimentação principal. Sempre que pressionar o botão de alimentação principal, o nível de velocidade muda.

- **Fig.6:** 1. Indicador de velocidade 2. Botão de alimentação principal

Indicador de velocidade	Modo	Velocidade do curso
	Alto	5.000 min <sup>-1</sup>
	Médio	3.600 min <sup>-1</sup>
	Baixo	2.000 min <sup>-1</sup>

## Botão de inversão para a remoção de detritos

**AVISO:** Se não for possível remover os ramos emaranhados ou detritos através da função de inversão, desligue a ferramenta e remova a bateria e, em seguida, remova os ramos ou detritos utilizando ferramentas, tais como um alicate.

Se não desligar a ferramenta e remover a bateria, podem resultar ferimentos graves provocados pelo arranque acidental da ferramenta. A remoção manual dos ramos emaranhados ou de detritos pode causar ferimentos, uma vez que as lâminas de corte podem mover-se como reação de serem removidas.

Esta ferramenta possui um botão de inversão para alterar a direção do movimento das lâminas de corte. Serve apenas para remover ramos e detritos emaranhados na ferramenta. Para inverter o movimento das lâminas de corte, pressione o botão de inversão quando as lâminas de corte tiverem parado e, em seguida, puxe o gatilho do interruptor dianteiro e depois puxe o gatilho do interruptor traseiro enquanto pressiona a alavanca. Os indicadores de velocidade começam a piscar e as lâminas de corte movem-se na direção inversa.

Quando os ramos emaranhados e os detritos forem removidos, a ferramenta retorna ao movimento habitual e os indicadores de velocidade param de piscar e acendem.

- **Fig.7:** 1. Indicador de velocidade 2. Botão de inversão

**NOTA:** Se não for possível remover os ramos emaranhados ou detritos, solte os gatilhos dos interruptores, pressione o botão de inversão e depois puxe os gatilhos dos interruptores até serem removidos.

**NOTA:** Se tocar no botão de inversão enquanto as lâminas de corte ainda estiverem em movimento, a ferramenta para e fica pronta para realizar o movimento inverso.

## Função eletrônica

A ferramenta está equipada com as funções eletrônicas para operação fácil.

- **Controlo constante da velocidade**  
A função de controlo da velocidade assegura a velocidade constante da rotação independentemente das condições de carga.
- **Travão elétrico**  
Esta ferramenta está equipada com um travão elétrico. Se a ferramenta consistentemente não parar rapidamente as lâminas de corte após a libertação do gatilho do interruptor, solicite a reparação da ferramenta num centro de assistência técnica autorizado da Makita.
- **Função de prevenção de reinício acidental**  
Mesmo que instale a bateria ao mesmo tempo que puxa o gatilho do interruptor, a ferramenta não arranca. Para iniciar a ferramenta, solte primeiro o gatilho do interruptor e, em seguida, puxe o gatilho do interruptor.

## MONTAGEM

**PRECAUÇÃO:** Certifique-se sempre de que a ferramenta está desligada e a bateria retirada antes de executar qualquer trabalho na ferramenta.

**PRECAUÇÃO:** Quando substituir as lâminas de corte, use sempre luvas, de modo a que as suas mãos não fiquem em contacto direto com as lâminas.

**OBSERVAÇÃO:** Quando substituir as lâminas de corte, não limpe a massa lubrificante da engrenagem e da manivela.

## Instalar ou remover as lâminas de corte

**PRECAUÇÃO:** Acople a tampa da lâmina antes de remover ou instalar as lâminas de corte.

Pode instalar lâminas de corte de 600 mm ou 750 mm na ferramenta.

**NOTA:** Se alterar as lâminas de corte para um comprimento diferente, substitua o recipiente de aparas por outro que se adapte às lâminas.

1. Remova quatro parafusos (para UH013G) ou cinco parafusos (para UH014G) e, em seguida, remova o recipiente de aparas da ferramenta.

#### Para UH013G

► Fig.8: 1. Recipiente de aparas 2. Parafuso

#### Para UH014G

► Fig.9: 1. Recipiente de aparas 2. Parafuso

2. Coloque a ferramenta virada para baixo e, em seguida, remova seis pernos.

► Fig.10: 1. Perno

3. Remova a tampa e a placa.

► Fig.11: 1. Tampa 2. Placa

**NOTA:** A placa pode permanecer na tampa.

4. Remova a haste e o rolamento.

► Fig.12: 1. Haste 2. Rolamento

**NOTA:** A haste ou o rolamento podem permanecer na tampa.

5. Remova três parafusos, três mangas e a base de feltro e, em seguida, remova as lâminas de corte.

► Fig.13: 1. Parafuso 2. Manga 3. Base de feltro  
4. Lâminas de corte

**OBSERVAÇÃO:** Tenha cuidado para não perder os parafusos.

6. Remova a tampa da lâmina e, em seguida, prenda-a às lâminas de corte novas.

► Fig.14

7. Ajuste a manivela de modo que dois orifícios fiquem alinhados na linha de alinhamento.

► Fig.15: 1. Orifício 2. Linha de alinhamento

8. Alinhe as saliências nas lâminas de corte verticalmente na mesma posição.

► Fig.16: 1. Saliência

9. Insira o parafuso removido no passo 5 nos orifícios na tampa da lâmina e as lâminas de corte para fixar temporariamente as lâminas de corte e, em seguida, prenda a base de feltro nas lâminas de corte.

► Fig.17: 1. Parafuso 2. Base de feltro 3. Orifício

10. Insira a saliência nas lâminas de corte no orifício na haste e, em seguida, alinhe a posição da base de feltro com os orifícios na ferramenta. Prenda duas mangas novas.

► Fig.18: 1. Base de feltro 2. Saliência 3. Orifício  
4. Manga

**OBSERVAÇÃO:** Aplique uma pequena quantidade de massa lubrificante na periferia interna do orifício da haste.

**OBSERVAÇÃO:** Tenha cuidado para não perder as mangas.

11. Alinhe os orifícios nas mangas e nas lâminas de corte com os orifícios na ferramenta e, em seguida, aperte dois parafusos para fixar temporariamente as lâminas de corte.

► Fig.19: 1. Parafuso

12. Remova o parafuso inserido no orifício nas lâminas de corte no passo 9 e, em seguida, deslize a tampa da lâmina.

► Fig.20: 1. Parafuso

13. Prenda uma manga nova.

► Fig.21: 1. Manga

14. Aperte o parafuso juntamente com a manga para fixar as lâminas de corte.

► Fig.22: 1. Parafuso

15. Aperte firmemente os parafusos que foram fixados temporariamente no passo 11.

16. Prenda o rolamento e a haste.

► Fig.23: 1. Haste 2. Orifício pequeno 3. Rolamento

**OBSERVAÇÃO:** Aplique uma pequena quantidade de massa lubrificante na periferia interna do orifício pequeno da haste.

**OBSERVAÇÃO:** Certifique-se de que a saliência nas lâminas de corte encaixa no orifício pequeno na haste.

17. Prenda a placa.

► Fig.24: 1. Saliência 2. Placa

**OBSERVAÇÃO:** Certifique-se de que a saliência nas lâminas de corte encaixa no orifício na placa.

18. Prenda a tampa e, em seguida, aperte seis pernos.

► Fig.25: 1. Perno 2. Tampa

19. Prenda o recipiente de aparas na ferramenta apertando quatro parafusos (para UH013G) ou cinco parafusos (para UH014G).

#### Para UH013G

► Fig.26: 1. Recipiente de aparas 2. Parafuso

#### Para UH014G

► Fig.27: 1. Recipiente de aparas 2. Parafuso

**OBSERVAÇÃO:** Se as lâminas de corte não se moverem suavemente, significa que não está a engatar corretamente nas hastes. Volte a instalar as lâminas de corte.

**OBSERVAÇÃO:** Se as outras peças além das lâminas de corte, por exemplo, as hastes, estiverem desgastadas, solicite a substituição das peças ou reparações num dos centros de assistência autorizados da Makita.

## Remover ou instalar o recipiente de aparas

**⚠PRECAUÇÃO:** Quando instalar ou remover o recipiente de aparas, use sempre luvas, de modo a que as suas mãos não fiquem em contacto direto com as lâminas de corte.

O recipiente de aparas recolhe folhas caídas e torna a limpeza posterior muito mais fácil.

Para remover o recipiente de aparas, remova quatro parafusos (para UH013G) ou cinco parafusos (para UH014G) e, em seguida, remova o recipiente de aparas da ferramenta. Para instalar o recipiente de aparas, siga o procedimento de remoção pela ordem inversa.

#### Para UH013G

► Fig.28: 1. Recipiente de aparas 2. Parafuso

#### Para UH014G

► Fig.29: 1. Recipiente de aparas 2. Parafuso



## OPERAÇÃO

**⚠️ AVISO:** Mantenha as mãos afastadas das lâminas de corte.

**⚠️ PRECAUÇÃO:** Evite operar a ferramenta em condições atmosferas muito quentes tanto quanto seja possível. Quando operar a ferramenta, tenha cuidado com a sua condição física.

**⚠️ PRECAUÇÃO:** Tenha cuidado para não tocar acidentalmente numa cerca de metal ou noutro objeto duro enquanto estiver a aparar. As lâminas de corte podem partir e causar ferimentos.

**⚠️ PRECAUÇÃO:** Tenha cuidado para não deixar que as lâminas de corte toquem no solo. A ferramenta pode recuar e causar ferimentos.

**⚠️ PRECAUÇÃO:** Esticar-se para alcançar um local com o aparador de cerca viva, particularmente desde uma escada, é extremamente perigoso. Não trabalhe se estiver posicionado sobre um suporte trêmulo ou instável.

**OBSERVAÇÃO:** Não tente cortar ramos mais grossos do que 10 mm de diâmetro com a ferramenta. Apare ramos 10 cm mais baixo do que a altura de corte utilizando lâminas para ramos antes de utilizar a ferramenta.

► Fig.30: (1) Altura de corte (2) 10 cm

**OBSERVAÇÃO:** Não corte árvores secas ou objetos duros similares. Ao fazê-lo pode causar danos na ferramenta.

**OBSERVAÇÃO:** Não apare a relva ou ervas enquanto estiver a utilizar as lâminas de corte. As lâminas de corte poderão ficar emaranhadas na relva ou nas ervas.

Segure a pega dianteira com a mão direita e a pega traseira com a mão esquerda. Puxe o gatilho do interruptor dianteiro, puxe o gatilho do interruptor traseiro enquanto pressiona a alavanca e, em seguida, mova a ferramenta para a frente.

► Fig.31

Para o funcionamento básico, incline as lâminas de corte em direção ao sentido de aparar e mova-as calma e lentamente à velocidade de 3 a 4 segundos por metro.

► Fig.32

Para cortar o topo de uma cerca uniformemente, ate uma corda à altura pretendida e apare ao longo desta.

► Fig.33

O recipiente de aparas recolhe folhas caídas e torna a limpeza posterior muito mais fácil.

► Fig.34

Para cortar o lado de uma cerca uniformemente, corte a partir da parte inferior até ao topo.

► Fig.35

Quando aparar para moldar uma forma redonda (aparar por buxo ou rododendro, etc.), apare desde a raiz até ao topo para obter um acabamento bonito.

► Fig.36

## MANUTENÇÃO

**⚠️ PRECAUÇÃO:** Certifique-se sempre de que a ferramenta se encontra desligada e de que a bateria foi retirada antes de executar qualquer inspeção ou manutenção.

Para manter a SEGURANÇA e a FIABILIDADE do produto, as reparações e qualquer outra manutenção ou ajuste devem ser levados a cabo pelos centros de assistência Makita autorizados ou pelos centros de assistência de fábrica, utilizando sempre peças de substituição Makita.

### Limpar a ferramenta

Limpe a ferramenta, limpando o pó com um pano seco ou um pano humedecido em água com detergente e torcido.

**OBSERVAÇÃO:** Nunca utilize gasolina, benzina, diluente, álcool ou produtos semelhantes. Pode ocorrer a descoloração, deformação ou rachaduras.

### Manutenção da lâmina de corte

Antes da operação ou uma vez por hora durante a operação, aplique óleo de baixa viscosidade (óleo para máquinas ou óleo lubrificante de pulverizar) nas lâminas de corte.

► Fig.37

Após a operação, remova o pó das lâminas de corte com uma escova de fios, limpe-as com um pano e, em seguida, aplique óleo de baixa viscosidade (óleo para máquinas ou óleo lubrificante de pulverizar) nas lâminas de corte.

► Fig.38

**OBSERVAÇÃO:** Não lave as lâminas de corte na água. Ao fazê-lo pode causar ferrugem ou danos na ferramenta.

**OBSERVAÇÃO:** A sujidade e a corrosão causam fricção excessiva da lâmina e encurtam o tempo de funcionamento por carga de bateria.

### Armazenamento

O orifício para o gancho na parte inferior da ferramenta é conveniente para pendurar a ferramenta num prego ou parafuso na parede.

Remova a bateria da ferramenta e, em seguida, prenda a tampa da lâmina às lâminas de corte de modo que as lâminas não fiquem expostas. Guarde a ferramenta fora do alcance das crianças. Guarde a ferramenta num local não exposto a humidade ou precipitação.

► Fig.39: 1. Orifício

## Retificação das lâminas de corte

**OBSERVAÇÃO:** Se as lâminas de corte foram consideravelmente deformadas por retificação, substitua-as por lâminas de corte novas.

1. Instale a bateria na ferramenta.
2. Ligue e efetue o arranque da ferramenta, de modo que a lâmina superior e a lâmina inferior fiquem posicionadas alternadamente.  
▶ Fig.40
3. Desligue a ferramenta e remova a bateria da ferramenta.
4. Regule o ângulo da lima para 45° e retifique a lâmina superior a partir de 3 direções com a lima.  
▶ Fig.41: (1) Lima (2) 45°

**PRECAUÇÃO:** Antes de retificar as lâminas de corte, certifique-se de que a ferramenta está desligada e que a bateria foi removida da ferramenta.

5. Coloque a ferramenta virada para baixo e, em seguida, remova as rebarbas das lâminas de corte com a pedra de amolar.

▶ Fig.42: 1. Pedra de amolar

6. Regule o ângulo da lima para 45° e retifique a lâmina inferior a partir de 3 direções com a lima.
7. Volte a colocar a ferramenta na posição normal e, em seguida, remova as rebarbas das lâminas de corte com a pedra de amolar.

## Lubrificação com massa lubrificante

**Intervalo de lubrificação:** A cada 50 horas de funcionamento

1. Remova o perno do orifício para lubrificação.  
▶ Fig.43: 1. Perno
2. Remova a tampa do recipiente de massa lubrificante. Alinhe a saída do recipiente de massa lubrificante com o orifício na tampa e, em seguida, pressione a saída do recipiente de massa lubrificante no orifício.  
▶ Fig.44: 1. Recipiente de massa lubrificante 2. Orifício
3. Aplique a massa lubrificante na ferramenta (aproximadamente 5 g como um guia).
4. Aperte o perno.

## RESOLUÇÃO DE PROBLEMAS

Antes de pedir uma reparação, realize primeiro a sua própria inspeção. Se encontrar um problema que não esteja explicado no manual, não tente desmontar a ferramenta. Em vez disso, peça as reparações nos centros de assistência técnica autorizados da Makita, usando sempre peças de substituição da Makita.

Estado da anomalia	Causa provável (avaria)	Correção
O motor não funciona.	A bateria não está instalada.	Instale a bateria.
	Problema com a bateria (baixa tensão)	Recarregue a bateria. Se o carregamento não for eficaz, substitua a bateria.
	O sistema de acionamento não funciona corretamente.	Peça a reparação no centro de assistência autorizado local.
O motor para de funcionar após pouco uso.	O nível de carga da bateria está baixo.	Recarregue a bateria. Se o carregamento não for eficaz, substitua a bateria.
	Sobreaquecimento.	Pare a utilização da ferramenta para que ela possa arrefecer.
A ferramenta não atinge as RPM máximas.	A bateria está mal instalada.	Instale a bateria como descrito neste manual.
	A potência da bateria está a baixar.	Recarregue a bateria. Se o carregamento não for eficaz, substitua a bateria.
	O sistema de acionamento não funciona corretamente.	Peça a reparação no centro de assistência autorizado local.
As lâminas de corte não se movem: ⇒ pare a máquina imediatamente!	Ficam presos objetos estranhos entre as lâminas de corte.	1. Utilize o botão de inversão. 2. Desligue a ferramenta e remova a bateria e, em seguida, remova os objetos estranhos utilizando ferramentas, tais como um alicate.
	O sistema de acionamento não funciona corretamente.	Peça a reparação no centro de assistência autorizado local.
Vibração anormal: ⇒ pare a máquina imediatamente!	As lâminas de corte estão partidas, curvadas ou desgastadas.	Substitua as lâminas de corte.
	O sistema de acionamento não funciona corretamente.	Peça a reparação no centro de assistência autorizado local.
As lâminas de corte e o motor não conseguem parar: ⇒ retire imediatamente a bateria!	Falha elétrica.	Retire a bateria e peça a reparação no centro de assistência autorizado local.

# ACESSÓRIOS OPCIONAIS

**⚠️ PRECAUÇÃO:** Estes acessórios ou peças são recomendados para utilização com a ferramenta Makita especificada neste manual. A utilização de outros acessórios ou peças pode ser perigosa para as pessoas. Utilize apenas acessórios ou peças para os fins indicados.

Se necessitar de informações adicionais relativas a estes acessórios, solicite-as ao seu centro de assistência Makita.

- Conjunto da lâmina de corte
- Recipiente de aparas
- Recipiente de massa lubrificante
- Bateria e carregador genuínos da Makita

**NOTA:** Alguns itens da lista podem estar incluídos na embalagem da ferramenta como acessórios padrão. Eles podem variar de país para país.

## SPECIFIKATIONER

Model:	UH013G	UH014G
Længde af klinger	600 mm	750 mm
Antal slag pr. minut	2.000 / 3.600 / 5.000 min <sup>-1</sup>	
Samlet længde	1.085 mm	1.225 mm
Mærkespænding	D.C. 36 V - 40 V maks.	
Nettovægt	3,9 - 4,5 kg	4,0 - 4,7 kg
Beskyttelsesgrad	IPX4	

- På grund af vores kontinuerlige forsknings- og udviklingsprogrammer kan hosstående specifikationer blive ændret uden varsel.
- Specifikationer kan variere fra land til land.
- Vægten kan være anderledes afhængigt af tilbehøret, inklusive akkuen. Den letteste og tungeste kombination i henhold til EPTA-procedure 01/2014 er vist i tabellen.

## Anvendelig akku og oplader

Akku	BL4020* / BL4025* / BL4040* / BL4050F * : Anbefalet batteri
Oplader	DC40RA / DC40RB / DC40RC

- Nogle af de akkuer og opladere, der er angivet ovenfor, er muligvis ikke tilgængelige, afhængigt af hvilket område du bor i.

**⚠ ADVARSEL:** Brug kun de akkuer og opladere, der er angivet ovenfor. Brug af andre akkuer og opladere kan medføre personskaade og/eller brand.

## Anbefalet ledningstilsluttet strømforsyningskilde

Bærbar strømforsyning	PDC01 / PDC1200
-----------------------	-----------------

- Den eller de ovenfor anførte ledningstilsluttede strømforsyningskilder er muligvis ikke tilgængelige, afhængigt af hvilket område du bor i.
- Inden du bruger den ledningstilsluttede strømforsyningskilde, skal du læse instruktionen og advarselmærkerne på dem.

## Symboler

Følgende viser de symboler, der muligvis anvendes til udstyret. Sørg for, at du forstår deres betydning før brugen.



Læs betjeningsvejledningen.



FARE - Hold hænder væk fra klinger.



Bær sikkerhedsbriller.



Ni-MH  
Li-ion

Kun for lande inden for EU  
På grund af tilstedeværelsen af farlige komponenter i udstyret kan affald af elektrisk og elektronisk udstyr, akkumulatører og batterier have en negativ indvirkning på miljøet og folkesundheden.  
Bortskaf ikke elektriske og elektroniske apparater eller batterier sammen med husholdningsaffald!  
I overensstemmelse med EF-direktiv om affaldshåndtering af elektrisk og elektronisk udstyr og om akkumulatører og batterier og affaldsakkumulatører og -batterier, og i overensstemmelse med national lovgivning, skal brugt elektrisk udstyr, batterier og akkumulatører opbevares separat og leveres til et separat indsamlingssted for kommunalt affald, der er etableret i henhold til bestemmelserne om miljøbeskyttelse. Dette er angivet ved symbolet på den krydsede skraldespand, der er placeret på udstyret.

## Tilsluttet anvendelse

Maskinen er beregnet til at trimme hække.

## Støj

Gældende standard : EN62841-4-2

Model	Lydtrykniveau		Lydeffektniveau	
	L <sub>pA</sub> (dB(A))	Usikkerhed K (dB(A))	L <sub>WA</sub> (dB(A))	Usikkerhed K (dB(A))
UH013G	80	3	91	3
UH014G	81	3	92	3

**BEMÆRK:** De(n) angivne støjemissionsværdi(er) er målt i overensstemmelse med en standardtestmetode og kan anvendes til at sammenligne en maskine med en anden.

**BEMÆRK:** De(n) angivne støjemissionsværdi(er) kan også anvendes i en præliminær eksponeringsvurdering.

**⚠ ADVARSEL:** Bær høreværn.

**⚠ ADVARSEL:** Støjemissionen under den faktiske anvendelse af maskinen kan være forskellig fra de(n) angivne værdi(er), afhængigt af den måde hvorpå maskinen anvendes, især den type arbejdsemne der behandles.

**⚠ ADVARSEL:** Sørg for at identificere de sikkerhedsforskrifter til beskyttelse af operatøren, som er baseret på en vurdering af eksponering under de faktiske brugsforhold (med hensyntagen til alle dele i brugsklassen, f.eks. de gange, hvor maskinen er slukket, og når den kører i tomgang i tilgift til afbrydertiden).

## Vibration

Vibrationens totalværdi (tre-aksial vektorsum) bestemt i overensstemmelse med EN62841-4-2:

Model	Forreste håndtag		Bageste håndtag	
	ah (m/s <sup>2</sup> )	Usikkerhed K (m/s <sup>2</sup> )	ah (m/s <sup>2</sup> )	Usikkerhed K (m/s <sup>2</sup> )
UH013G	2,5	1,5	2,5 m/s <sup>2</sup> eller mindre	1,5
UH014G	3,2	1,5	2,5 m/s <sup>2</sup> eller mindre	1,5

**BEMÆRK:** De(n) angivne totalværdi(er) for vibration er målt i overensstemmelse med en standardtestmetode og kan anvendes til at sammenligne en maskine med en anden.

**BEMÆRK:** De(n) angivne totalværdi(er) for vibration kan også anvendes i en præliminær eksponeringsvurdering.

**⚠ ADVARSEL:** Vibrationsemissionen under den faktiske anvendelse af maskinen kan være forskellig fra de(n) angivne værdi(er), afhængigt af den måde hvorpå maskinen anvendes, især den type arbejdsemne der behandles.

**⚠ ADVARSEL:** Sørg for at identificere de sikkerhedsforskrifter til beskyttelse af operatøren, som er baseret på en vurdering af eksponering under de faktiske brugsforhold (med hensyntagen til alle dele i brugsklassen, f.eks. de gange, hvor maskinen er slukket, og når den kører i tomgang i tilgift til afbrydertiden).

## EF-overensstemmelseserklæring

*Kun for lande i Europa*

EF-overensstemmelseserklæringen er inkluderet som Bilag A i denne brugsanvisning.

## SIKKERHEDSADVARSLER

### Almindelige sikkerhedsregler for el-værktøj

**⚠ ADVARSEL:** Læs alle de sikkerhedsadvarsler, instruktioner, illustrationer og specifikationer, der følger med denne maskine. Forsømmelse af at overholde alle nedenstående instruktioner kan medføre elektrisk stød, brand og/eller alvorlig personskade.

## Gem alle advarsler og instruktioner til fremtidig reference.

Ordet "el-værktøj" i advarslerne henviser til det netforsynede (netledning) el-værktøj eller batteriforsynede (akku) el-værktøj.

## Sikkerhedsadvarsler for akku hækketrimmer

- Hold alle dele af kroppen væk fra klingen. Undlad at fjerne afskåret materiale eller at holde materiale, der skal skæres, når klingerne bevæger sig.** Klinger fortsætter med at rotere, efter at afbryderen er slået fra. Ved brug af hækketrimmeren kan ét øjeblik uopmærksomhed medføre alvorlig personskade.
- Bær hækketrimmeren i håndtaget med klingens stoppet og pas på ikke at betjene nogen tænd/sluk-knap.** Korrekt bæring af hækketrimmeren reducerer risikoen for utilsigtet start og medfølgende personskade fra klingerne.

3. Ved transport eller opbevaring af hækketrimmeren skal klingedækslet altid sættes på. Korrekt håndtering af hækketrimmeren reducerer risikoen for personskade fra klingerne.
4. Når der fjernes fastklemt materiale, eller endheden serviceres, skal du sørge for at alle tænd/sluk-knapper er slukket, og at akkuen er fjernet eller afbrudt. Uventet aktivering af hækketrimmeren, mens der fjernes fastklemt materiale eller udføres service, kan muligvis resultere i personskade.
5. Hold altid kun i hækketrimmeren i de isolerede grebflader, da klingene muligvis kan komme i berøring med skjulte ledninger. Hvis klinger kommer i kontakt med en strømførende ledning, kan udsatte metaldele på hækketrimmeren blive strømførende, hvorved operatøren kan få elektrisk stød.
6. Hold alle netledninger væk fra skæreo området. Netledninger eller kabler kan muligvis være skjult i hække eller buske og kan ved et uheld skæres over af klingene.
7. Brug ikke hækketrimmeren i dårligt vejr, især hvis der er risiko for lynnedslag. Dette reducerer risikoen for, at du rammes af lynnedslag.
5. Betjen ikke maskinen unødigt uden belastning.
6. Sluk med det samme for maskinen, og fjern akkuen, hvis klingerne kommer i kontakt med et hegn eller en anden hård genstand. Kontroller klingerne for beskadigelse, og udskift klingerne med det samme, hvis de er beskadiget.
7. Før du kontrollerer klingerne, udbedr fejl eller fjerner materiale, der sidder fast i klingerne, skal du altid slukke for maskinen og fjerne akkuen.
8. Ret aldrig klingerne mod dig selv eller andre.
9. Hvis klingerne holder op med at bevæge sig under brugen på grund af fremmedlegemer, der sidder fast mellem klingerne, skal du slukke for maskinen og fjerne akkuen og derefter fjerne fremmedlegemerne ved hjælp af redskaber som f.eks. en tang. Hvis du fjerner fremmedlegemerne i hånden, kan det medføre personskade, da klingerne kan bevæge sig som reaktion på fjernelsen af fremmedlegemerne.
10. Vær opmærksom på dit fodfæste, når du bruger maskinen på mudret jord, en våd skråning eller et glat sted.
11. Undlad at nedsænke maskinen i en vandpyt.
12. Efterlad ikke maskinen uden opsyn udendørs i regnvejr.

## Yderligere sikkerhedsinstruktioner

### Forberedelse

1. Kontrollér hækkene og buskene for fremmedlegemer som f.eks. trådhegn eller skjulte ledninger, før maskinen anvendes.
2. Maskinen må ikke anvendes af børn eller unge på under 18 år. Unge på over 16 år er muligvis undtaget fra denne begrænsning, hvis de er under oplæring under opsyn af en ekspert.
3. Førstegangsbrugere bør få en erfaren bruger til at vise dem, hvordan man bruger maskinen.
4. Brug kun maskinen, hvis du er i god fysisk form. Hvis du er træt, vil din opmærksomhed være reduceret. Vær særligt opmærksom sidst på arbejdsdagen. Udfør alt arbejde roligt og omhyggeligt. Brugeren er ansvarlig for enhver skade på tredjepart.
5. Brug aldrig maskinen under indflydelse af alkohol, narkotika eller medicin.
6. Arbejdshandsker af solidt læder er en del af det grundlæggende udstyr til maskinen og skal altid bæres, når du arbejder med den. Bær også solide sko med skridsikre såler.
7. Før du påbegynder arbejdet, skal du kontrollere, at maskinen er i god og sikker arbejdstilstand. Kontroller, at beskyttelseskærme er monteret korrekt. Maskinen må ikke anvendes, medmindre den er fuldt samlet.

### Drift

1. Hold godt fast i maskinen med begge hænder, når du bruger maskinen.
2. Maskinen er kun beregnet til brug af operatøren i jordhøjde. Benyt ikke maskinen på stiger eller noget andet ustabil underlag.
3. FARE - Hold hænderne på afstand af klingene. Kontakt med klingene vil medføre alvorlig personskade.
4. Sørg for at have solidt fodfæste, før du starter brugen.

### Elektrisk sikkerhed og batterisikkerhed

1. Undgå farlige miljøer. Brug ikke maskinen på fugtige eller våde steder, og udsæt den ikke for regn. Hvis der kommer vand ind i maskinen, forøger det risikoen for elektrisk stød.
2. Undlad at kaste batterierne i åben ild. Celler kan eksplodere. Tjek de lokale regler for eventuelle særlige instruktioner vedrørende bortskaffelse.
3. Undlad at åbne eller mishandle batterierne. Lækket elektrolyt er ætsende og kan medføre skader på øjnene eller huden. Den kan være giftig, hvis den indtages.
4. Undlad at oplade batteriet i regnvejr eller under våde forhold.
5. Oplad ikke batteriet uden døre.
6. Håndtér ikke oplader, herunder opladerstik, og opladerterminaler med våde hænder.
7. Undlad at udskifte batteriet med våde hænder.
8. Undlad at udskifte batteriet i regnvejr.
9. Undgå at gøre batteriets terminal våd med væske såsom vand, eller nedsænke batteriet. Undlad at lade batteriet ligge i regnvejr eller at oplade, bruge eller opbevare batteriet på et fugtigt eller vådt sted. Hvis terminalen bliver våd, eller der kommer væske ind i batteriet, kan batteriet blive kortslettet, og der er risiko for overophedning, brand eller eksplosion.
10. Når du har fjernet batteriet fra maskinen eller opladeren, skal du sørge for at fastgøre akku-dækslet på batteriet og opbevare det på et tørt sted.
11. Hvis akkuen bliver våd, skal du tømme vandet ud og derefter tørre den med en tør klud. Tør akkuen helt på et tørt sted før brug.

## Vedligeholdelse og opbevaring

1. Sluk for maskinen, og fjern akkuen, før du udfører vedligeholdelsesarbejde.
  2. Når maskinen flyttes til et andet sted, herunder under arbejde, skal du altid fjerne akkuen og sætte klingedækslet på klingerne. Du må aldrig bære eller transportere maskinen, mens klingerne kører. Tag aldrig fat i klingerne med hænderne.
  3. Rengør maskinen og især klingerne efter brug, og før maskinen lægges til opbevaring i længere tid. Smør klingerne let, og sæt klingedækslet på.
  4. Opbevar maskinen med klingedækslet på i et tørt værelse. Hold den utilgængelig for børn. Opbevar aldrig maskinen udenørs.
  5. Undlad at kaste batterierne i åben ild. Cellen kan eksplodere. Tjek de lokale regler for eventuelle særlige instruktioner vedrørende bortscaffelse.
  6. Undlad at åbne eller mishandle batterierne. Lækket elektrolyt er ætsende og kan medføre skader på øjnene eller huden. Den kan være giftig, hvis den indtages.
  7. Undlad at oplade batteriet i regnvejrr eller under våde forhold.
  8. Undgå direkte sollys og regn ved opbevaring af maskinen, og opbevar den på et sted, hvor det ikke bliver varmt eller fugtigt.
- Kortslutning af akkuen kan forårsage en kraftig øgning af strømmen, overophedning, mulige forbrændinger og endog værktøjstop.
6. Opbevar og brug ikke maskinen og akkuen på steder, hvor temperaturen muligvis kan nå eller overstige 50 °C.
  7. Lad være med at brænde akkuen, selv ikke i tilfælde, hvor den har lidt alvorlig skade eller er fuldstændig udtjent. Akkuen kan eksplodere, hvis man forsøger at brænde den.
  8. Slå ikke søm i, skær ikke i, knus, kast, tab ikke akkuen og stød ikke akkuen mod en hård genstand. Sådan adfærd kan muligvis resultere i en brand, overdreven varme eller eksplosion.
  9. Anvend ikke en beskadiget akku.
  10. De indbyggede litium-ion-batterier er underlagt lovkrav vedrørende farligt gods. Ved kommerciel transport, f.eks. af tredjeparts transportselskaber, skal særlige krav til forpakning og mærkning overholdes. Ved forberedelse af udstyret til forsendelse skal du kontakte en ekspert i farligt gods. Overhold også eventuel mere detaljeret national lovgivning. Tape eller tildæk åbne kontakter, og pak batteriet på en måde, så det ikke kan flytte sig rundt i pakningen.
  11. Når akkuen bortscaffes, skal du fjerne den fra maskinen og bortscaffes den på et sikkert sted. Følg de lokale love vedrørende bortscaffelsen af batterier.

## GEM DENNE BRUGSANVISNING.

**⚠ ADVARSEL:** LAD IKKE bekvemmelighed eller kendskab til produktet (opnået gennem gentagen brug) forhindre, at sikkerhedsforskrifterne for produktet nøje overholdes. MISBRUG eller forsømmelse af at følge de i denne brugsvejledning givne sikkerhedsforskrifter kan føre til, at De kommer alvorligt til skade.

### Vigtige sikkerhedsinstruktioner for akkuen

1. Læs alle instruktioner og advarselsmærkater på (1) akku-opladeren, (2) akkuen og (3) produktet, som anvender akku.
  2. Adskil eller ændr ikke akkuen. Det kan muligvis resultere i en brand, overdreven varme eller eksplosion.
  3. Hold straks op med anvendelsen, hvis brugstiden er blevet stærkt afkortet. Fortsat anvendelse kan resultere i risiko for overophedning, forbrændinger og endog eksplosion.
  4. Hvis De har fået elektrolytvæske i øjnene, skal De straks skylle den ud med rent vand og derefter øjeblikkeligt søge lægehjælp. I modsat fald kan De miste synet.
  5. Vær påpasselig med ikke at komme til at kortslutte akkuen:
    - (1) Rør ikke ved terminalerne med noget ledende materiale.
    - (2) Undgå at opbevare akkuen i en beholder sammen med andre genstande af metal, for eksempel søm, mønter og lignende.
    - (3) Udsæt ikke akkuen for vand eller regn.
12. Brug kun batterierne med de produkter, som Makita specificerer. Hvis batterierne installeres i ikke-kompatible produkter, kan det medføre brand, kraftig varme, eksplosion eller udsivning af elektrolyt.
13. Hvis maskinen ikke skal bruges i længere tid ad gangen, skal du fjerne batteriet fra maskinen.
14. Akkuen kan muligvis under og efter brug være varm, hvilket kan forårsage forbrændinger eller lavtemperaturforbrændinger. Vær påpasselig med håndtering af varme akkuer.
15. Rør ikke terminalen på maskinen straks efter brug, da den bliver varm nok til at forårsage forbrændinger.
16. Sørg for, at spåner, støv eller jord ikke sætter sig fast i akkuens terminaler, huller og riller. Det kan forårsage opvarmning, antændelse, sprængning og funktionsfejl i maskinen eller akkuen, hvilket kan medføre forbrændinger eller personskade.
17. Medmindre maskinen understøtter brugen i nærheden af elektriske højspændingsledninger, skal du ikke anvende akkuen i nærheden af elektriske højspændingsledninger. Det kan muligvis medføre funktionsfejl på eller nedbrud af maskinen eller akkuen.
18. Opbevar batteriet utilgængeligt for børn.

## GEM DENNE BRUGSANVISNING.

**⚠ FORSIGTIG:** Brug kun originale batterier fra Makita. Brug af uoriginale Makita-batterier, eller batterier som er blevet ændret, kan muligvis medføre brud på batteriet, hvilket kan forårsage brand, personskade eller beskadigelse. Det ugyldiggør også Makita-garantien for Makita-maskinen og opladeren.

## Tips til opnåelse af maksimal akku-levetid

1. Oplad akkuen, inden den er helt afladet. Stop altid værktøjet, og oplad akkuen, hvis De bemærker, at værktøjeffekten er aftagende.
2. Genoplad aldrig en fuldt opladet akku. Overoplading vil afkorte akkuens levetid.
3. Oplad akkuen ved stuetemperatur ved 10 °C - 40 °C. Lad altid en varm akku få tid til at køle af, inden den oplades.
4. Når du ikke anvender akkuen, skal du fjerne den fra maskinen eller opladeren.
5. Oplad akkuen, hvis De ikke skal bruge den i længere tid (mere end seks måneder).

## FUNKTIONSBESKRIVELSE

**⚠️FORSIGTIG:** Sørg altid for at maskinen er slukket, og at akkuen er taget ud, før der udføres justering eller kontrol af funktioner på maskinen.

### Isætning eller fjernelse af akkuen

**⚠️FORSIGTIG:** Sluk altid for værktøjet, før De monterer eller fjerner akkuen.

**⚠️FORSIGTIG:** Hold værktøjet og akkuen fast ved montering eller fjernelse af akkuen. Hvis De ikke holder værktøjet og akkuen fast, kan de glide ud af hænderne på Dem og forårsage beskadigelse af værktøjet og akkuen eller personskade.

► Fig.1: 1. Rød indikator 2. Knap 3. Akku

Akkuen fjernes ved, at De trækker den ud af værktøjet, idet De skyder knappen på forsiden af akkuen i stilling.

For at montere akkuen skal du justere tungen på akkuen med rillen i huset og skubbe den på plads. Indsæt den hele vejen, indtil den låses på plads med et lille klik. Hvis du kan se den røde indikator, som vist i figuren, er den ikke helt låst.

**⚠️FORSIGTIG:** Monter altid akkuen helt, indtil den røde indikator ikke længere er synlig. Hvis dette ikke gøres, kan den falde ud af værktøjet ved et uheld, hvorved De selv eller personer i nærheden kan komme til skade.

**⚠️FORSIGTIG:** Brug ikke magt ved montering af akkuen. Hvis akkuen ikke glider på plads uden problemer, betyder det, at den ikke sættes i på korrekt vis.

## Indikation af den resterende batteriladning

Tryk på kontrolknappen på akkuen for at få vist den resterende batteriladning. Indikatorlampen lyser i nogle sekunder.

► Fig.2: 1. Indikatorlamper 2. Kontrolknap

Indikatorlamper			Resterende ladning
Tændt	Slukket	Blinker	
■	■	■	75% til 100%
■	■	□	50% til 75%
■	□	□	25% til 50%
■	□	□	0% til 25%
◐	□	□	Genoplad batteriet.
■	□	□	Der er muligvis fejl i batteriet.
□	□	■	

**BEMÆRK:** Afhængigt af brugsforholdene og den omgivende temperatur kan indikationen afvige en smule fra den faktiske ladning.

**BEMÆRK:** Den første indikatorlampe (længst mod venstre) vil blinke, når batteribeskyttelsessystemet aktiveres.

## Beskyttelsessystem til værktøj/batteri

Maskinen er forsynet med et beskyttelsessystem til maskine/batteri. Systemet afbryder automatisk strømmen til motoren for at forlænge maskinens og batteriets levetid. Maskinen stopper automatisk under brugen, hvis maskinen udsættes for et af følgende forhold:

► Fig.3: 1. Advarselslampe

Advarselslampe		Status
Farve	● Tændt / ● Blinker	
Grøn	●	Overbelastning
Rød	● (maskine) / ● (batteri)	Overophedning
Rød	●	Overafledning

**BEMÆRKNING:** Afhængigt af brugsforholdene stopper maskinen automatisk uden nogen indikation, hvis grene eller affaldsrester er viklet ind i maskinen. I dette tilfælde skal du slukke for maskinen og fjerne akkuen, og derefter fjerne sammenfiltrede grene eller affaldsrester ved hjælp af værktøj som fx tænger. Efter fjernelse af grene eller affaldsrester skal du installere akkuen og tænde for maskinen igen.



## Overbelastningsbeskyttelse

Hvis maskinen eller batteriet overbelastes af fastklemte grene eller andre affaldsdele, stopper maskinen automatisk og advarselslampen begynder at blinke grønt. Sluk i så fald for maskinen, og stop den anvendelse, der medførte overbelastningen af maskinen. Tænd derefter for maskinen for at starte igen.

## Overophedningsbeskyttelse for maskine eller batteri

Hvis maskinen eller akkuen bliver overophedet, stopper maskinen automatisk. Når maskinen er overophedet, lyser advarselslampen rødt. Når akkuen er overophedet, blinker advarselslampen rødt. Lad maskinen og/eller batteriet køle ned, før der tændes for maskinen igen.

## Beskyttelse mod overafledning

Hvis batteriladningen bliver lav, stopper maskinen automatisk, og advarselslampen begynder at blinke rødt. Hvis maskinen ikke fungerer, selvom kontakterne betjenes, skal du fjerne akkuen fra maskinen og oplade den.

## Beskyttelse mod andre årsager

Beskyttelsessystemet er også designet til andre årsager, der kan beskadige maskinen og gør det muligt for maskinen at stoppe automatisk. Træf alle følgende foranstaltninger for at fjerne årsagerne, når maskinen midlertidigt er blevet bragt til standsning eller stoppet i drift.

1. Sluk for maskinen, og tænd den igen for at genstarte.
2. Oplad batteriet/batterierne, eller udskift det/dem med genopladet/genopladede batteri/batterier.
3. Lad maskinen og batteriet/batterierne køle af.

Hvis der ikke kan findes nogen forbedring ved at gendanne beskyttelsessystemet, skal det lokale Makita-servicecenter kontaktes.

## Brug af hovedafbryderknappen

**⚠ ADVARSEL:** Af hensyn til din sikkerhed er maskinen forsynet med en arm, der forhindrer, at maskinen starter ved et uheld. Brug **ALDRIG** maskinen, hvis den kører, når du blot trykker på afbryderknapperne uden at trykke på armen. Returner maskinen til vores autoriserede servicecenter til korrekt reparation, **FØR** den bruges igen.

**⚠ ADVARSEL:** Du må **ALDRIG** fastgøre armen med tape eller omgå dens formål og funktion.

**⚠ ADVARSEL:** Før akkuen sættes på maskinen, skal du altid kontrollere, at afbryderknapperne og armen aktiveres korrekt og går tilbage til "FRA"-stillingen, når du slipper dem. Brug af en maskine med en afbryder, som ikke fungerer korrekt, kan medføre tab af kontrollen over maskinen og alvorlig personskade.

**⚠ FORSIGTIG:** Sæt aldrig fingeren på afbryderknapperne, mens du bærer maskinen. Ellers kan maskinen starte ved et uheld og forårsage personskade.

**BEMÆRKNING:** Tryk ikke hårdt på afbryderknappen uden at trykke på armen. Dette kan ødelægge afbryderen.

Tryk på hovedafbryderknappen for at tænde for maskinen. For at slukke maskinen skal du trykke og holde hovedafbryderknappen nede, indtil hastighedsindikatorerne slukker.

► **Fig.4:** 1. Hovedafbryderknap

**BEMÆRK:** Advarselslampen blinker, hvis der trykkes på afbryderknappen under forhold, hvor maskinen ikke kan anvendes. Advarselslampen blinker, hvis du tænder hovedafbryderen, mens du holder armen og afbryderknappen nede.

**BEMÆRK:** Denne maskine har en funktion til automatisk slukning. For at undgå utilsigtet start slukker hovedafbryderen automatisk, når der ikke trykkes på afbryderknappen i en vis periode, efter at der tændes for hovedafbryderen.










For at forhindre, at der trykkes på afbryderknappen ved et uheld, er den udstyret med armen. Maskinen startes ved at trykke på den forreste afbryderknap og derefter trykke på den bagerste afbryderknap, mens du trykker på armen. Når du slipper én af afbryderknapperne, stopper maskinen.

► **Fig.5:** 1. Arm 2. Bagerste afbryderknap 3. Forreste afbryderknap

## Justering af hastigheden

Du kan justere maskinens hastighed ved at trykke på hovedafbryderknappen. Hver gang du trykker på hovedafbryderknappen, ændres hastighedsniveauet.

► **Fig.6:** 1. Hastighedsindikator 2. Hovedafbryderknap

Hastighedsindikator	Tilstand	Slaghastighed
3  2  1 	Høj	5.000 min <sup>-1</sup>
3  2  1 	Middel	3.600 min <sup>-1</sup>
3  2  1 	Lav	2.000 min <sup>-1</sup>

## Tilbage-knap til fjernelse af rester

**⚠ ADVARSEL:** Hvis de fastklemte grene eller rester ikke kan fjernes med funktionen til baglæns bevægelsesretning, skal du slukke for maskinen og fjerne akkuen og derefter fjerne fastklemte grene eller rester ved hjælp af redskaber som f.eks. en tang. Hvis du ikke slukker for maskinen og fjerner akkuen, kan det medføre alvorlig personskade på grund af utilsigtet start. Hvis du fjerner de fastklemte grene eller rester i hånden, kan det medføre personskade, da klingerne kan bevæge sig som reaktion på fjernelsen af resterne.

Denne maskine har en tilbage-knap til at ændre klingernes bevægelsesretning. Den er kun til at fjerne grene og rester, der sidder fast i maskinen.

Hvis du vil ændre klingernes bevægelsesretning, skal du trykke på tilbage-knappen, når klingerne er stoppet, og derefter trykke på den forreste afbryderknap og derefter trykke på den bagerste afbryderknap, mens der trykkes på armen. Hastighedsindikatorerne begynder at blinke, og klingerne bevæger sig i modsat retning. Når de sammenfiltrede grene og snavs fjernes, vender maskinen tilbage til normal bevægelse, og hastighedsindikatorerne holder op med at blinke og lyser konstant.

► **Fig.7:** 1. Hastighedsindikator 2. Tilbage-knap

**BEMÆRK:** Hvis de fastklemede grene eller rester ikke kan fjernes, skal du slippe afbryderknapperne, derefter trykke på tilbage-knappen, og derefter trykke på afbryderknapperne, indtil de er fjernet.

**BEMÆRK:** Hvis du trykker på tilbage-knappen, mens klingerne stadig bevæger sig, stopper maskinen og er klar til baglæns bevægelsesretning.

## Elektronisk funktion

Maskinen er udstyret med elektroniske funktioner for nem betjening.

- Konstant hastighedskontrol  
Funktionen til hastighedskontrol sørger for konstant rotationshastighed uanset belastningsforholdene.
- Elektrisk bremse  
Denne maskine er udstyret med en elektrisk bremse. Hvis maskinen konsekvent ikke stopper klingerne hurtigt efter afbryderknappen er sluppet, skal maskinen efterses hos et autoriseret Makita-servicecenter.
- Funktion til forhindring af utilsigtet genstart  
Selvom du installerer akkuen, mens du trykker på afbryderknappen, starter maskinen ikke. Maskinen startes ved først at slippe afbryderknappen og derefter trykke på afbryderknappen.

## SAMLING

**⚠FORSIGTIG:** Sørg altid for at maskinen er slukket, og at akkuen er taget ud, før der udføres noget arbejde på maskinen.

**⚠FORSIGTIG:** Ved udskiftning af klingerne skal du altid bære handsker, så dine hænder ikke kommer i direkte kontakt med klingerne.

**BEMÆRKNING:** Ved udskiftning af klingerne må du ikke aftørre fedtstof fra gearret og krumtappen.

## Montering eller fjernelse af klingerne

**⚠FORSIGTIG:** Monter klingedækslet, før klingerne fjernes eller monteres.

Du kan montere 600 mm eller 750 mm klinger på din maskine.

**BEMÆRK:** Hvis du ændrer klingerne til en anden længde, skal du udskifte spånbakken med en som passer til klingerne.

1. Fjern fire skrue (for UH013G) eller fem skrue (for UH014G) og fjern derefter spånbakken fra maskinen.

**Til UH013G**

► **Fig.8:** 1. Spånbakke 2. Skruer

**Til UH014G**

► **Fig.9:** 1. Spånbakke 2. Skruer

2. Vend maskinen med bunden i vejret, og fjern derefter seks bolte.

► **Fig.10:** 1. Bolt

3. Fjern dækslet og pladen.

► **Fig.11:** 1. Dæksel 2. Plade

**BEMÆRK:** Pladen kan blive siddende på dækslet.

4. Fjern stangen og kuglelejet.

► **Fig.12:** 1. Stang 2. Kuglelejet

**BEMÆRK:** Stangen eller kuglelejet kan blive siddende på dækslet.

5. Fjern tre skrue, tre muffer og filtputen, og fjern derefter klingerne.

► **Fig.13:** 1. Skruer 2. Muffe 3. Filtputer 4. Klinger

**BEMÆRKNING:** Pas på ikke at miste skrue.

6. Fjern klingedækslet og monter det derefter på de nye klinger.

► **Fig.14**

7. Juster krumtappen, så de to huller er justeret på justeringslinjen.

► **Fig.15:** 1. Hul 2. Justeringslinje

8. Juster fremspringene på klingerne lodret i samme position.

► **Fig.16:** 1. Fremspring

9. Indsæt skruen, der blev afmonteret i trin 5, i hullerne på klingedækslet og klingerne for midlertidigt at fastgøre klingerne, og fastgør derefter filtputen til klingerne.

► **Fig.17:** 1. Skruer 2. Filtputer 3. Huller

10. Sæt fremspringet på klingerne i hullet på stangen, og juster derefter filtputens position i forhold til hullerne på maskinen. Monter to nye muffer.

► **Fig.18:** 1. Filtputer 2. Fremspring 3. Hul 4. Muffe

**BEMÆRKNING:** Smør en smule fedtstof på den indre kant af hullet i stangen.

**BEMÆRKNING:** Pas på ikke at miste mufferne.

11. Juster hullerne på mufferne og klingerne med hullerne på maskinen, og tilspænd derefter to skrue for midlertidigt at fastgøre klingerne.

► **Fig.19:** 1. Skruer

12. Afmonter skruen, der blev indsat i hullet på klingerne i trin 9, og skub derefter klingedækslet.

► **Fig.20:** 1. Skruer

13. Monter en ny muffe.

► **Fig.21:** 1. Muffe

14. Tilspænd skruen sammen med muffen for at fastgøre klingerne.

► **Fig.22:** 1. Skruer

15. Stram de skruer til, som var midlertidigt fastgjort i trin 11.

16. Monter kuglelejet og stangen.

► **Fig.23:** 1. Stang 2. Lille hul 3. Kugleleje

**BEMÆRKNING:** Smør en smule fedtstof på den indre kant af det lille hul i stangen.

**BEMÆRKNING:** Sørg for, at fremspringet på klingerne passer til det lille hul i stangen.

17. Monter pladen.

► **Fig.24:** 1. Fremspring 2. Plade

**BEMÆRKNING:** Sørg for, at fremspringet på klingerne passer til hullet i pladen.

18. Monter dækslet, og stram derefter seks bolte.

► **Fig.25:** 1. Bolt 2. Dæksel

19. Fastgør spånbakken til maskinen ved at stramme fire skruer (for UH013G) eller fem skruer (for UH014G).

Til UH013G

► **Fig.26:** 1. Spånbakke 2. Skruer

Til UH014G

► **Fig.27:** 1. Spånbakke 2. Skruer

**BEMÆRKNING:** Hvis klingerne ikke bevæger sig jævnt, griber klingerne ikke korrekt fat i stængerne. Monter klingerne igen.

**BEMÆRKNING:** Hvis andre dele end klingerne, f.eks. stængerne, er slidt, skal du bede et autoriseret Makita-servicecenter om udskiftning af dele eller reparation.

## Afmontering eller montering af spånbakken

**⚠FORSIGTIG:** Ved montering eller fjernelse af spånbakken skal du altid bære handsker, så dine hænder ikke kommer i direkte kontakt med klingerne.

Spånbakken opsamler fraskårne blade og gør den efterfølgende rengøring meget lettere.

For at fjerne spånbakken skal du fjerne fire skruer (for UH013G) eller fem skruer (for UH014G) og derefter fjerne spånbakken fra maskinen. Følg proceduren til afmontering i omvendt rækkefølge for at montere spånbakken.

Til UH013G

► **Fig.28:** 1. Spånbakke 2. Skruer

Til UH014G

► **Fig.29:** 1. Spånbakke 2. Skruer

## ANVENDELSE

**⚠ADVARSEL:** Hold hænderne på afstand af klingerne.

**⚠FORSIGTIG:** Undgå så vidt muligt at anvende maskinen i meget varmt vejr. Vær opmærksom på din fysiske tilstand, når du anvender maskinen.

**⚠FORSIGTIG:** Vær forsigtig med ikke at ramme et metalhegn eller andre hårde genstande ved et uheld under trimningen. Klingerne kan gå i stykker og forårsage personskade.

**⚠FORSIGTIG:** Vær forsigtig med ikke at lade klingerne komme i kontakt med jorden. Maskinen kan slå tilbage og forårsage personskade.

**⚠FORSIGTIG:** Det er ekstremt farligt at strække sig for langt med en hæktrimmer, især fra en stige. Undlad at arbejde, mens du står på en ustabil eller usikker platform.

**BEMÆRKNING:** Forsøg ikke at klippe grene, der er tykkere end 10 mm i diameter, med maskinen. Beskær grene til 10 cm under skærehøjden ved hjælp af en grensaks, før du bruger denne maskine.

► **Fig.30:** (1) Skærehøjde (2) 10 cm

**BEMÆRKNING:** Undlad at beskære døde træer eller lignende hårde genstande. Hvis du gør dette, kan det beskadige maskinen.

**BEMÆRKNING:** Undlad at trimme græs eller ukrudt, mens du bruger klingerne. Klingerne kan blive viklet ind i græsset eller ukrudtet.

Hold i det forreste greb med din højre hånd og det bagerste greb med din venstre hånd. Tryk på den forreste afbryderknop, tryk derefter på den bagerste afbryderknop, mens du trykker på armen, og flyt derefter maskinen fremad.

► **Fig.31**

Ved almindelig brug skal du vippe klingerne i trimningsretningen og flytte den roligt og langsomt med en hastighed på 3 til 4 sekunder pr. meter.

► **Fig.32**

For at klippe toppen af en hæk jævnt skal du binde en snor i den ønskede højde og klippe langs med den.

► **Fig.33**

Spånbakken opsamler fraskårne blade og gør den efterfølgende rengøring meget lettere.

► **Fig.34**

For at klippe siden af en hæk jævnt skal du klippe fra bunden mod toppen.

► **Fig.35**

Ved beskæring for at opnå en rund form (trimning af buksbom eller roddendron osv.) skal du trimme fra roden mod toppen for at opnå en flot finish.

► **Fig.36**

## VEDLIGEHOJDELSE

**▲FORSIGTIG:** Vær altid sikker på, at værktøjet er slukket, og at akkuen er taget ud, inden De begynder at udføre inspektion eller vedligeholdelse.

For at opretholde produktets SIKKERHED og PALIDELIGHED må reparation, vedligeholdelse eller justering kun udføres af et autoriseret Makita servicecenter eller fabrikksservicecenter med anvendelse af Makita reservedele.

## Rengøring af maskinen

Rengør maskinen ved at aftørre støv med en tør klud eller en klud, der er dyppet i sæbevand og vredet.

**BEMÆRKNING:** Anvend aldrig benzin, rensbenzin, fortynder, alkohol og lignende. Det kan medføre misfarvning, deformering eller revner.

## Vedligeholdelse af klinger

Før brugen eller én gang i timen under brug skal du smøre olie med lav viskositet (maskinolie eller smørelie af spraytypen) på klingerne.

► Fig.37

Efter brugen skal du fjerne støv fra klingerne med en trådbørste, tørre dem af med en klud og derefter smøre olie med lav viskositet (maskinolie eller smørelie af spraytypen) på klingerne.

► Fig.38

**BEMÆRKNING:** Undgå at vaske klingerne i vand. Dette kan medføre rust eller beskadigelse af maskinen.

**BEMÆRKNING:** Snavs og rust medfører kraftig klingefriktion og forkorter driftstiden mellem batteriopladninger.

## Opbevaring

Kroghullet i bunden af maskinen er praktisk til at hænge maskinen på et søm eller en skrue i væggen.

Fjern akkuen fra maskinen og monter derefter klingen på klingerne, så klingerne ikke er blottet. Opbevar maskinen utilgængeligt for børn. Opbevar maskinen på et sted, der ikke er udsat for fugt eller regn.

► Fig.39: 1. Hul

## Slibning af klingerne

**BEMÆRKNING:** Hvis klingerne er alvorligt deformerede ved slibning, skal du udskifte klingerne med nye.

1. Monter akkuen på maskinen.
2. Tænd for og start maskinen, så den øverste klinge og nederste klinge er placeret på skift af hinanden.  
► Fig.40
3. Sluk for maskinen, og tag akkuen ud af maskinen.
4. Indstil vinklen på en fil til 45°, og brug filen til at slibe den øverste klinge fra 3 retninger.  
► Fig.41: (1) Fil (2) 45°

**▲FORSIGTIG:** Sørg altid for, at der er slukket for maskinen, og at akkuen er fjernet fra maskinen, før klingerne slibes.

5. Vend maskinen med bunden i vejret, og fjern derefter graterne fra klingerne ved hjælp af afrettestenen.  
► Fig.42: 1. Afrettesten
6. Indstil vinklen på filen til 45°, og brug filen til at slibe den nederste klinge fra 3 retninger.
7. Vend maskinen tilbage til den normale stilling, og fjern derefter graterne fra klingerne ved hjælp af afrettestenen.

## Smøring med fedt

**Smøringsinterval:** Hver 50 driftstimer

1. Fjern boltene fra hullet til smøring.  
► Fig.43: 1. Bolt
2. Fjern hæften fra fedtbeholderen. Ret udgangen på fedtbeholderen ind mod hullet på dækslet og tryk derefter udgangen på fedtbeholderen ind mod hullet.  
► Fig.44: 1. Fedtbeholder 2. Hul
3. Fyld fedt på maskinen (Som tommelfingerregel cirka 5 g).
4. Stram boltene.

# FEJLFINDING

Udfør selv en inspektion, inden De anmoder om reparation. Hvis De opdager et problem, som ikke er forklaret i brugsanvisningen, må De ikke forsøge at adskille maskinen. Rådfør Dem i stedet med et autoriseret Makita Servicecenter, og brug altid originale Makita udskiftningsdele til reparationer.

Unormal tilstand	Sandsynlig årsag (fejl)	Afhjælpning
Motoren kører ikke.	Akkuen er ikke indsat.	Indsæt akkuen.
	Problem med batteriet (for lav spænding)	Genoplad batteriet. Udskift batteriet, hvis genopladning ikke er effektiv.
	Drevsystemet fungerer ikke korrekt.	Kontakt det lokale autoriserede servicecenter for reparation.
Motoren holder op med at køre efter kort tids brug.	Batteriets opladningsniveau er for lavt.	Genoplad batteriet. Udskift batteriet, hvis genopladning ikke er effektiv.
	Overophedning.	Hold op med at bruge maskinen, så den kan køle ned.
Maskinen når ikke maks. antal omdrejninger pr. minut (RPM).	Batteriet er indsat forkert.	Indsæt akkuen som beskrevet i denne brugervejledning.
	Batteriladningen falder.	Genoplad batteriet. Udskift batteriet, hvis genopladning ikke er effektiv.
	Drevsystemet fungerer ikke korrekt.	Kontakt det lokale autoriserede servicecenter for reparation.
Klinger bevæger sig ikke: ⇒ Stop maskinen med det samme!	Der sidder fremmedlegemer fast mellem klingerne.	1. Brug tilbage-knappen. 2. Sluk for maskinen og fjern akkuen, og fjern derefter fremmedlegemerne ved hjælp af redskaber som f.eks. en tang.
	Drevsystemet fungerer ikke korrekt.	Kontakt det lokale autoriserede servicecenter for reparation.
Unormal vibration: ⇒ Stop maskinen med det samme!	Klingerne er knækket, bøjet eller slidt.	Udskift klingerne.
	Drevsystemet fungerer ikke korrekt.	Kontakt det lokale autoriserede servicecenter for reparation.
Klingerne og motoren kan ikke stoppe: ⇒ Fjern batteriet med det samme!	Elektrisk funktionsfejl.	Fjern batteriet, og kontakt det lokale autoriserede servicecenter for reparation.

## EKSTRAUDSTYR

**⚠FORSIGTIG:** Det følgende tilbehør og ekstraudstyr er anbefalet til brug med Deres Makita maskine, der er beskrevet i denne brugsanvisning. Anvendelse af andet tilbehør eller ekstraudstyr kan udgøre en risiko for personskade. Anvend kun tilbehør og ekstraudstyr til det beskrevne formål.

Hvis De behøver hjælp ved valg af tilbehør eller ønsker yderligere informationer, bedes De kontakte Deres lokale Makita servicecenter.

- Klingemontering
- Spånbakke
- Fedtbeholder
- Original Makita akku og oplader

**BEMÆRK:** Nogle ting på denne liste kan være inkluderet i værktøjspakken som standardtilbehør. Det kan være forskellige fra land til land.

## ΠΡΟΔΙΑΓΡΑΦΕΣ

Μοντέλο:	UH013G	UH014G
Μήκος λάμας	600 mm	750 mm
Διαδρομές ανά λεπτό	2.000 / 3.600 / 5.000 min <sup>-1</sup>	
Συνολικό μήκος	1.085 mm	1.225 mm
Ονομαστική τάση	D.C. 36 V - 40 V μεγ.	
Καθαρό βάρος	3,9 - 4,5 kg	4,0 - 4,7 kg
Βαθμός προστασίας	IPX4	

- Λόγω του συνεχιζόμενου προγράμματος έρευνας και ανάπτυξης, οι προδιαγραφές αυτές υπόκεινται σε αλλαγές χωρίς προειδοποίηση.
- Τα τεχνικά χαρακτηριστικά μπορεί να διαφέρουν από χώρα σε χώρα.
- Το βάρος μπορεί να διαφέρει ανάλογα με τα προσαρτήματα, συμπεριλαμβάνοντας την κασέτα μπαταριών. Ο ελαφρύτερος και ο βαρύτερος συνδυασμός, σύμφωνα με τη διαδικασία ΕΡΤΑ 01/2014, παρουσιάζονται στον πίνακα.

### Ισχύουσα κασέτα μπαταριών και φορτιστής

Κασέτα μπαταρίας	BL4020* / BL4025* / BL4040* / BL4050F * : Συνιστώμενη μπαταρία
Φορτιστής	DC40RA / DC40RB / DC40RC

- Ορισμένες από τις κασέτες και τους φορτιστές μπαταριών που αναγράφονται παραπάνω ίσως να μην είναι διαθέσιμοι, ανάλογα με την τοποθεσία κατοικίας σας.

**⚠ ΠΡΟΕΙΔΟΠΟΙΗΣΗ:** Να χρησιμοποιείτε μόνο τις κασέτες μπαταριών και τους φορτιστές που παρατίθενται ανωτέρω. Η χρήση οποιασδήποτε άλλης κασέτας μπαταριών ή φορτιστή μπορεί να προκαλέσει τραυματισμό ή/και πυρκαγιά.

### Συνιστώμενη ενσύρματη πηγή τροφοδοσίας

Φορητή ηλεκτρική τροφοδότηση	PDC01 / PDC1200
------------------------------	-----------------

- Οι ενσύρματες πηγές τροφοδοσίας που αναγράφονται παραπάνω μπορεί να μην είναι διαθέσιμες, ανάλογα με την περιοχή της κατοικίας σας.
- Πριν χρησιμοποιήσετε την ενσύρματη πηγή τροφοδοσίας, διαβάστε τις οδηγίες και τις ενδείξεις προφυλάξεων που αναγράφονται σε αυτή.

### Σύμβολα

Παρακάτω παρουσιάζονται τα σύμβολα που μπορούν να χρησιμοποιηθούν για τον εξοπλισμό. Βεβαιωθείτε ότι κατανοείτε τη σημασία τους πριν από τη χρήση.



Διαβάστε το εγχειρίδιο οδηγιών.



ΚΙΝΔΥΝΟΣ - Κρατήστε τα χέρια μακριά από τη λάμα.



Φοράτε γυαλιά ασφαλείας.



Μόνο για τις χώρες της ΕΕ  
Λόγω της παρουσίας των επικινδύνων συστατικών μερών στον εξοπλισμό, ο απόβλητος ηλεκτρικός και ηλεκτρονικός εξοπλισμός, οι συσσωρευτές και οι μπαταρίες μπορεί να έχουν αρνητική επίδραση στο περιβάλλον και την ανθρώπινη υγεία. Μην απορρίπτετε τις ηλεκτρικές και ηλεκτρονικές συσκευές ή μπαταρίες μαζί με τα οικιακά απορρίμματα!

Σύμφωνα με την Ευρωπαϊκή Οδηγία για τον απόβλητο ηλεκτρικό και ηλεκτρονικό εξοπλισμό και για τους συσσωρευτές και μπαταρίες και τους απόβλητους συσσωρευτές και μπαταρίες, καθώς και την προσαρμογή τους στην εθνική νομοθεσία, ο απόβλητος ηλεκτρικός εξοπλισμός, οι μπαταρίες και οι συσσωρευτές θα πρέπει να αποθηκεύονται ξεχωριστά και να παραδίδονται σε ξεχωριστό σημείο συλλογής για δημοτικά απόβλητα, το οποίο λειτουργεί σύμφωνα με τους κανονισμούς για την προστασία του περιβάλλοντος. Αυτό υποδεικνύεται από το σύμβολο του διαγραμμένου τροχοφόρου κάδου που βρίσκεται ανατρημένο επάνω στον εξοπλισμό.

## Προοριζόμενη χρήση

Το εργαλείο προορίζεται για το ψαλίδισμα μπορντούρας.

## Θόρυβος

Ισχύον πρότυπο : EN62841-4-2

Μοντέλο	Στάθμη ηχητικής πίεσης		Στάθμη ηχητικής ισχύος	
	$L_{pA}$ (dB(A))	Αβεβαιότητα K (dB(A))	$L_{WA}$ (dB(A))	Αβεβαιότητα K (dB(A))
UH013G	80	3	91	3
UH014G	81	3	92	3

**ΠΑΡΑΤΗΡΗΣΗ:** Η δηλωμένη τιμή(ές) εκπομπής θορύβου έχει μετρηθεί σύμφωνα με την πρότυπη μέθοδο δοκιμής και μπορεί να χρησιμοποιηθεί για τη σύγκριση ενός εργαλείου με κάποιο άλλο.

**ΠΑΡΑΤΗΡΗΣΗ:** Η δηλωμένη τιμή(ές) εκπομπής θορύβου μπορεί να χρησιμοποιηθεί και στην προκαταρκτική αξιολόγηση της έκθεσης.

**⚠ ΠΡΟΕΙΔΟΠΟΙΗΣΗ:** Να φοράτε ωτοασπίδες.

**⚠ ΠΡΟΕΙΔΟΠΟΙΗΣΗ:** Η εκπομπή θορύβου κατά τη χρήση του ηλεκτρικού εργαλείου σε πραγματικές συνθήκες μπορεί να διαφέρει από τη δηλωμένη τιμή(ές) ανάλογα με τους τρόπους χρήσης του εργαλείου, ιδιαίτερα το είδος του τεμαχίου εργασίας που υπόκειται επεξεργασία.

**⚠ ΠΡΟΕΙΔΟΠΟΙΗΣΗ:** Φροντίστε να λάβετε τα κατάλληλα μέτρα προστασίας του χειριστή βάσει ενός υπολογισμού της έκθεσης σε πραγματικές συνθήκες χρήσης (λαμβάνοντας υπόψη όλες τις συνιστώσες του κύκλου λειτουργίας όπως τους χρόνους που το εργαλείο είναι εκτός λειτουργίας και όταν βρίσκεται σε αδρανή λειτουργία πέραν του χρόνου ενεργοποίησης).

## Κραδασμός

Η ολική τιμή δόνησης (άθροισμα τρι-αξονικού διανύσματος) καθορίζεται σύμφωνα με το EN62841-4-2:

Μοντέλο	Μπροστινή λαβή		Πίσω λαβή	
	ah (m/s <sup>2</sup> )	Αβεβαιότητα K (m/s <sup>2</sup> )	ah (m/s <sup>2</sup> )	Αβεβαιότητα K (m/s <sup>2</sup> )
UH013G	2,5	1,5	2,5 m/s <sup>2</sup> ή λιγότερο	1,5
UH014G	3,2	1,5	2,5 m/s <sup>2</sup> ή λιγότερο	1,5

**ΠΑΡΑΤΗΡΗΣΗ:** Η δηλωμένη τιμή(ές) συνολικών κραδασμών έχει μετρηθεί σύμφωνα με την πρότυπη μέθοδο δοκιμής και μπορεί να χρησιμοποιηθεί για τη σύγκριση ενός εργαλείου με κάποιο άλλο.

**ΠΑΡΑΤΗΡΗΣΗ:** Η δηλωμένη τιμή(ές) συνολικών κραδασμών μπορεί να χρησιμοποιηθεί και στην προκαταρκτική αξιολόγηση της έκθεσης.

**⚠ ΠΡΟΕΙΔΟΠΟΙΗΣΗ:** Η εκπομπή κραδασμών κατά τη χρήση του ηλεκτρικού εργαλείου σε πραγματικές συνθήκες μπορεί να διαφέρει από τη δηλωμένη τιμή(ές) εκπομπής ανάλογα με τους τρόπους χρήσης του εργαλείου, ιδιαίτερα το είδος του τεμαχίου εργασίας που υπόκειται επεξεργασία.

**⚠ ΠΡΟΕΙΔΟΠΟΙΗΣΗ:** Φροντίστε να λάβετε τα κατάλληλα μέτρα προστασίας του χειριστή βάσει ενός υπολογισμού της έκθεσης σε πραγματικές συνθήκες χρήσης (λαμβάνοντας υπόψη όλες τις συνιστώσες του κύκλου λειτουργίας όπως τους χρόνους που το εργαλείο είναι εκτός λειτουργίας και όταν βρίσκεται σε αδρανή λειτουργία πέραν του χρόνου ενεργοποίησης).

## Δήλωση συμμόρφωσης ΕΚ

*Μόνο για χώρες της Ευρώπης*

Η δήλωση συμμόρφωσης ΕΚ περιλαμβάνεται ως Παράρτημα Α στο παρόν εγχειρίδιο οδηγιών.

# ΠΡΟΕΙΔΟΠΟΙΗΣΕΙΣ ΑΣΦΑΛΕΙΑΣ

## Γενικές προειδοποιήσεις ασφαλείας για το ηλεκτρικό εργαλείο

**▲ ΠΡΟΕΙΔΟΠΟΙΗΣΗ:** Διαβάστε όλες τις προειδοποιήσεις ασφαλείας, οδηγίες, εικονογραφηθείσες και προδιαγραφές που παρέχονται με αυτό το ηλεκτρικό εργαλείο. Η μη τήρηση όλων των οδηγιών που αναγράφονται κατωτέρω μπορεί να καταλήξει σε ηλεκτροπληξία, πυρκαγιά ή/και σοβαρό τραυματισμό.

## Φυλάξτε όλες τις προειδοποιήσεις και τις οδηγίες για μελλοντική παραπομπή.

Στις προειδοποιήσεις, ο όρος «ηλεκτρικό εργαλείο» αναφέρεται σε ηλεκτρικό εργαλείο που τροφοδοτείται από την κύρια παροχή ηλεκτρικού ρεύματος (με ηλεκτρικό καλώδιο) ή σε ηλεκτρικό εργαλείο που τροφοδοτείται από μπαταρία (χωρίς ηλεκτρικό καλώδιο).

## Προειδοποιήσεις ασφαλείας για το φορητό ψαλίδι μπورντούρας

1. Απομακρύνετε όλα τα μέρη του σώματος από τη λάμα. Μην αφαιρείτε το κομμένο υλικό και μην κρατάτε το υλικό προς κοπή όταν οι λάμες κινούνται. Οι λάμες συνεχίζουν να κινούνται μετά την απενεργοποίηση του διακόπτη. Μια στιγμή απροσεξίας κατά τη διάρκεια χειρισμού του ψαλιδιού μπورντούρας μπορεί να προκαλέσει σοβαρό προσωπικό τραυματισμό.
2. Μεταφέρετε το ψαλίδι μπورντούρας από τη λαβή με τη λάμα σταματημένη και προσέχετε να μην θέσετε τον διακόπτη λειτουργίας σε λειτουργία. Η σωστή μεταφορά του ψαλιδιού μπورντούρας θα μειώσει τον κίνδυνο αθέλητης έναρξης και τον επακόλουθο προσωπικό τραυματισμό από τις λάμες.
3. Κατά τη μεταφορά ή την αποθήκευση του ψαλιδιού μπورντούρας, να τοποθετείτε πάντα το κάλυμμα της λαμής. Ο σωστός χειρισμός του ψαλιδιού μπورντούρας θα μειώσει τον κίνδυνο προσωπικού τραυματισμού από τις λάμες.
4. Όταν καθαρίζετε μπλοκαρισμένο υλικό ή πραγματοποιείτε σέρβις στη μονάδα, να βεβαιώνετε ότι όλοι οι διακόπτες λειτουργίας είναι σβηστοί και η κασέτα μπαταριών έχει αφαιρεθεί ή αποσυνδεθεί. Η απρόσμενη ενεργοποίηση του ψαλιδιού μπورντούρας κατά τον καθαρισμό του μπλοκαρισμένου υλικού ή το σέρβις μπορεί να έχει ως αποτέλεσμα σοβαρό προσωπικό τραυματισμό.
5. Κρατάτε το ψαλίδι μπورντούρας μόνο από τις μονωμένες επιφάνειες λαβής επειδή η λάμα μπορεί να κάνει επαφή με το κρυμμένο καλώδιο. Σε περίπτωση επαφής των λαμών με ηλεκτροφόρο καλώδιο, μπορεί να εκτεθειμένα μεταλλικά εξαρτήματα του ψαλιδιού μπورντούρας να καταστούν τα ίδια ηλεκτροφόρα και να προκαλέσουν ηλεκτροπληξία στο χειριστή.

6. Να κρατάτε όλα τα ηλεκτρικά καλώδια και τα σύρματα μακριά από την περιοχή κοπής. Τα ηλεκτρικά καλώδια ή τα σύρματα μπορεί να είναι κρυμμένα στις μπορντούρες ή τους θάμνους και να κοπούν κατά λάθος από τη λάμα.
7. Μην χρησιμοποιείτε το ψαλίδι μπορντούρας σε άσχημες καιρικές συνθήκες, ειδικά όταν υπάρχει κίνδυνος κεραυνών. Αυτό μειώνει τον κίνδυνο να χτυπηθείτε από κεραυνό.

## Επιπρόσθετες οδηγίες για την ασφάλεια

### Προετοιμασία

1. Ελέγχετε τους φράχτες από θάμνους και τους θάμνους για ξένα αντικείμενα, όπως συρμάτινους φράχτες ή κρυμμένα καλώδια, πριν θέσετε σε λειτουργία το εργαλείο.
2. Το εργαλείο δεν πρέπει να χρησιμοποιείται από παιδιά και νέους κάτω των 18 ετών. Εξαιρούνται από αυτήν την απαγόρευση οι νέοι άνω των 16 ετών που εκπαιδεύονται υπό την επίβλεψη ειδικού.
3. Όσοι χρησιμοποιούν το εργαλείο για πρώτη φορά θα πρέπει να ζητήσουν από έναν έμπειρο χρήστη να τους δείξει πώς να χρησιμοποιήσουν το εργαλείο.
4. Να χρησιμοποιείτε το εργαλείο μόνο αν βρίσκεστε σε καλή σωματική κατάσταση. Αν είστε κουρασμένοι, η προσοχή σας θα είναι μειωμένη. Προσέξτε ιδιαίτερα κατά το τέλος της μέρας εργασίας. Εκτελέστε όλες τις εργασίες με ηρεμία και προσοχή. Ο χρήστης είναι υπεύθυνος για όλες τις ζημιές σε άλλα άτομα.
5. Μην χρησιμοποιείτε ποτέ το εργαλείο υπό την επήρεια αλκοόλ, ναρκωτικών ουσιών ή φαρμάκων.
6. Τα γάντια εργασίας από ανθεκτικό δέρμα αποτελούν μέρος του βασικού εξοπλισμού του εργαλείου και πρέπει πάντα να φοριούνται κατά την εργασία με αυτό. Επίσης, να φοράτε σταθερά παπούτσια με αντιολισθητικές σόλες.
7. Πριν ξεκινήσετε οποιαδήποτε εργασία, ελέγξτε για να βεβαιωθείτε ότι το εργαλείο βρίσκεται σε καλή και ασφαλή κατάσταση εργασίας. Βεβαιωθείτε ότι οι προφυλακτήρες είναι τοποθετημένα σωστά. Το εργαλείο δεν πρέπει να χρησιμοποιηθεί αν δεν είναι πλήρως συναρμολογημένο.

### Λειτουργία

1. Κρατήστε το εργαλείο σταθερά και με τα δύο χέρια όταν χρησιμοποιείτε το εργαλείο.
2. Το εργαλείο προορίζεται για χρήση από το χειριστή στο επίπεδο του εδάφους. Μην χρησιμοποιείτε το εργαλείο σε σκάλες ή οποιαδήποτε άλλα ασταθή στήριξη.
3. ΚΙΝΔΥΝΟΣ - Να διατηρείτε τα χέρια σας μακριά από τη λάμα. Η επαφή με τη λάμα θα έχει ως αποτέλεσμα σοβαρό προσωπικό τραυματισμό.
4. Να βεβαιώνετε ότι στέκεστε σταθερά πριν ξεκινήσετε μια εργασία.
5. Μην θέτετε το εργαλείο σε λειτουργία χωρίς φορτίο όταν αυτό δεν είναι απαραίτητο.



6. Να σβήνεται αμέσως το εργαλείο και να βγάξεται την κασέτα μπαταριών αν οι λάμες κουρευτικού έρθουν σε επαφή με φράχτη ή άλλο σκληρό αντικείμενο. Ελέγξτε τις λάμες για ζημιά και, αν υπάρχει ζημιά, αντικαταστήστε αμέσως τις λάμες.
7. Πριν ελέγξετε τις λάμες κουρευτικού, διορθώστε τυχόν βλάβες ή αφαιρέστε υλικά που πιάστηκαν στις λάμες κουρευτικού, να σβήνεται πάντα το εργαλείο και να βγάξετε την κασέτα μπαταριών.
8. Μην στρέφετε ποτέ τις λάμες κουρευτικού προς το μέρος σας ή προς τους άλλους.
9. Αν οι λάμες σταματήσουν να κινούνται επειδή κόλλησαν ξένα αντικείμενα μεταξύ των λαμών κατά τη λειτουργία, σβήστε το εργαλείο και αφαιρέστε την κασέτα μπαταριών, μετά αφαιρέστε το ξένο αντικείμενο χρησιμοποιώντας κάποιο εργαλείο, όπως μια πένσα. Η αφαίρεση των ξένων αντικειμένων με το χέρι μπορεί να προκαλέσει τραυματισμό, επειδή οι λάμες μπορεί να κινηθούν σε αντίδραση της αφαίρεσης των ξένων αντικειμένων.
10. Όταν χρησιμοποιείτε το εργαλείο σε λασπώδη έδαφος, βρεγμένες κλίσεις ή ολισθηρό μέρος, να προσέχετε το πάτημά σας.
11. Μην βυθίζετε το εργαλείο σε λακκούβα.
12. Μην αφήνετε το εργαλείο χωρίς επίτηρηση σε εξωτερικούς χώρους στη βροχή.

#### Ηλεκτρική ασφάλεια και ασφάλεια μπαταρίας

1. Να αποφεύγετε τα επικίνδυνα περιβάλλοντα. Μη χρησιμοποιείτε το εργαλείο σε υγραμένο ή υγρό χώρο ούτε να το εκθέτετε στη βροχή. Η είσοδος νερού στο εργαλείο μπορεί να αυξήσει τον κίνδυνο πρόκλησης ηλεκτροπληξίας.
2. Μη απορρίπτετε την μπαταρία(ιες) στη φωτιά. Το κελί μπορεί να εκραγεί. Συμβουλευτείτε τους τοπικούς κώδικες για πιθανές ειδικές οδηγίες απόρριψης.
3. Μη απορρίπτετε και μην καταστρέψετε την μπαταρία(ιες). Ο ηλεκτρολύτης που εκλύεται είναι διαβρωτικός και μπορεί να προκαλέσει ζημιά στα μάτια ή στο δέρμα. Σε περίπτωση κατάποσης, μπορεί να είναι τοξικό.
4. Μη φορτίζετε την μπαταρία στη βροχή, αλλά ούτε σε υγρές τοποθεσίες.
5. Μην φορτίζετε τη μπαταρία σε εξωτερικό χώρο.
6. Μην χειρίζεστε τον φορτιστή, συμπεριλαμβανομένου του φινιρίσματος, και τους ακροδέκτες φορτιστή με βρεγμένα χέρια.
7. Μην αλλάζετε την μπαταρία με βρεγμένα χέρια.
8. Μην αλλάζετε την μπαταρία στη βροχή.
9. Μην βρέχετε τον πόλο της μπαταρίας με υγρό, όπως το νερό, και μη βυθίζετε την μπαταρία σε υγρό. Μην αφήνετε την μπαταρία στη βροχή, και μην φορτίζετε, χρησιμοποιείτε ή αποθηκεύετε την μπαταρία σε νωπό ή βρεγμένο μέρος. Αν ο πόλος βρεχτεί ή εισέλθει υγρό στο εσωτερικό της μπαταρίας, η μπαταρία μπορεί να βραχυκυκλώσει και να υπάρχει κίνδυνος υπερθέρμανσης, πυρκαγιάς ή έκρηξης.

10. Αφού αφαιρέσετε την μπαταρία από το εργαλείο ή τον φορτιστή, φροντίστε να συνδέσετε το κάλυμμα μπαταριών στην μπαταρία και να την αποθηκεύσετε σε στεγνό μέρος.
11. Αν η κασέτα μπαταριών βραχεί, αποστραγγίστε το νερό από το εσωτερικό και μετά σκουπίστε την με ένα στεγνό πανί. Στεγνώστε την κασέτα μπαταριών εντελώς σε ένα στεγνό μέρος πριν τη χρησιμοποιήσετε.

#### Συντήρηση και αποθήκευση

1. Σβήστε το εργαλείο και βγάλτε την κασέτα μπαταριών πριν εκτελέσετε οποιαδήποτε εργασία συντήρησης.
2. Όταν μετακινείτε το εργαλείο σε άλλη τοποθεσία, συμπεριλαμβανόμενα κατά τη διάρκεια της εργασίας, να αφαιρείτε πάντα την κασέτα μπαταριών και να τοποθετείτε το κάλυμμα λαμών στις λάμες κουρευτικού. Μην μεταφέρετε ποτέ το εργαλείο με τις λάμες σε λειτουργία. Μην πιάνετε ποτέ τις λάμες με τα χέρια σας.
3. Να καθαρίζετε το εργαλείο, και ειδικά τις λάμες κουρευτικού, μετά τη χρήση και πριν τοποθετήσετε το εργαλείο για αποθήκευση για μεγάλες χρονικές περιόδους. Λιπάνετε ελαφρά τις λάμες και τοποθετήστε το κάλυμμα λαμών.
4. Αποθηκεύστε το εργαλείο με τοποθετημένο το κάλυμμα λαμών, σε ένα δωμάτιο χωρίς υγρασία. Φυλάξτε το μακριά από παιδιά. Μην αποθηκεύετε ποτέ το εργαλείο σε εξωτερικό χώρο.
5. Μη απορρίπτετε την μπαταρία(ιες) στη φωτιά. Το κελί μπορεί να εκραγεί. Συμβουλευτείτε τους τοπικούς κώδικες για πιθανές ειδικές οδηγίες απόρριψης.
6. Μη απορρίπτετε και μην καταστρέψετε την μπαταρία(ιες). Ο ηλεκτρολύτης που εκλύεται είναι διαβρωτικός και μπορεί να προκαλέσει ζημιά στα μάτια ή στο δέρμα. Σε περίπτωση κατάποσης, μπορεί να είναι τοξικό.
7. Μη φορτίζετε την μπαταρία στη βροχή, αλλά ούτε σε υγρές τοποθεσίες.
8. Όταν αποθηκεύετε το εργαλείο, να αποφεύγετε την άμεση ηλιοβολή και τη βροχή, και να το αποθηκεύετε σε ένα μέρος όπου δεν υπάρχει πολύ ζέστη και υγρασία.

#### ΦΥΛΑΞΤΕ ΤΙΣ ΟΔΗΓΙΕΣ ΑΥΤΕΣ.

**▲ΠΡΟΕΙΔΟΠΟΙΗΣΗ:** ΜΗΝ επιτρέψετε το βαθμό άνεσης ή εξοικείωσης με το προϊόν (λόγω επανειλημμένης χρήσης) να αντικαταστήσει την αυστηρή τήρηση των κανόνων ασφαλείας του παρόντος εργαλείου. Η ΛΑΝΘΑΣΜΕΝΗ ΧΡΗΣΗ ή η αμέλεια να ακολουθήσετε τους κανόνες ασφαλείας που διατυπώνονται στο παρόν εγχειρίδιο οδηγιών μπορεί να προκαλέσει σοβαρό προσωπικό τραυματισμό.

## Σημαντικές οδηγίες ασφάλειας για κασέτα μπαταριών

1. Πριν χρησιμοποιήσετε την κασέτα μπαταριών, διαβάστε όλες τις οδηγίες και σημειώσεις προφύλαξης (1) στον φορτιστή μπαταριών, (2) στην μπαταρία και (3) στο προϊόν που χρησιμοποιείτε την μπαταρία.
2. Μην απουναρμολογήσετε ή παραβιάσετε την κασέτα μπαταριών. Μπορεί να έχει ως αποτέλεσμα πυρκαγιά, υπερθέρμανση ή έκρηξη.
3. Εάν ο χρόνος λειτουργίας έχει γίνει υπερβολικά βραχύς, σταματήστε τη λειτουργία αμέσως. Αλλιώς, μπορεί να έχει ως αποτέλεσμα κίνδυνο υπερθέρμανσης, πιθανά εγκαύματα ή ακόμη και έκρηξη.
4. Εάν ηλεκτρολύτης μπει στα μάτια σας, ξεπλύνετε τα με καθαρό νερό και ζητήστε ιατρική φροντίδα αμέσως. Αλλιώς, μπορεί να έχει ως αποτέλεσμα απώλεια της όρασης σας.
5. Μην βραχυκυκλώνετε την κασέτα μπαταριών:
  - (1) Μην αγγίζετε τους πόλους με οτιδήποτε αγώγιμο υλικό.
  - (2) Αποφεύγετε να αποθηκεύετε την κασέτα μπαταριών μέσα σε ένα δοχείο μαζί με άλλα μεταλλικά αντικείμενα όπως καρφιά, νομίσματα, κλπ.
  - (3) Μην εκθέτετε την κασέτα μπαταριών στο νερό ή στη βροχή.Ένα βραχυκύκλωμα μπαταρίας μπορεί να προκαλέσει μεγάλη ροή ρεύματος, υπερθέρμανση, πιθανά εγκαύματα ακόμη και σοβαρή βλάβη.
6. Μην αποθηκεύετε και μην χρησιμοποιείτε το εργαλείο και την κασέτα μπαταριών σε τοποθεσίες όπου η θερμοκρασία μπορεί να φτάσει ή να ξεπεράσει τους 50 °C.
7. Μην καίτε την κασέτα μπαταριών ακόμη και εάν έχει σοβαρή ζημιά ή είναι εντελώς φθαρμένη. Η κασέτα μπαταριών μπορεί να εκραγεί στη φωτιά.
8. Μην καρφώσετε, κόψετε, συνθλίψετε, πετάξετε ή ρίξετε κάτω την κασέτα μπαταριών, ούτε να χτυπήσετε ένα σκληρό αντικείμενο επάνω στην κασέτα μπαταριών. Τέτοια συμπεριφορά μπορεί να έχει ως αποτέλεσμα πυρκαγιά, υπερθέρμανση ή έκρηξη.
9. Μην χρησιμοποιείτε μπαταρία που έχει υποστεί ζημιά.
10. Οι μπαταρίες ιόντων λιθίου που περιέχονται υπόκεινται στις απαιτήσεις της νομοθεσίας για επικίνδυνα αγαθά.

Για εμπορικές μεταφορές, για παράδειγμα από τρίτα μέρη, πρέπει να τηρούνται οι διαμεταφορές, οι ειδικές απαιτήσεις στη συσκευασία και η επισήμανση.

Για προετοιμασία του στοιχείου που αποστέλλεται, είναι απαραίτητο να συμβουλευτείτε έναν ειδικό για επικίνδυνα υλικά. Επίσης, τηρήστε τους πιθανούς, πιο αναλυτικούς εθνικούς κανονισμούς. Καλύψτε με αυτοκόλλητη ταινία ή κρύψτε τις ανοικτές επαφές και συσκευάστε την μπαταρία με τρόπο που να μην μπορεί να μετακινείται μέσα στη συσκευασία.

11. Όταν απορρίπτετε την κασέτα μπαταριών, αφαιρέστε την από το εργαλείο και διαθέστε τη σε ένα ασφαλές μέρος. Τηρήστε τους τοπικούς κανονισμούς που σχετίζονται με τη διάθεση της μπαταρίας.
12. Χρησιμοποιήστε τις μπαταρίες μόνο με τα προϊόντα που καθορίζει η Makita. Αν τοποθετήσετε τις μπαταρίες σε μη συμβατά προϊόντα μπορεί να έχει ως αποτέλεσμα πυρκαγιά, υπερβολική θερμότητα, έκρηξη ή διαρροή ηλεκτρολύτη.
13. Αν δεν χρησιμοποιείτε το εργαλείο για μεγάλο χρονικό διάστημα, πρέπει να βγάλετε την μπαταρία από το εργαλείο.
14. Κατά τη διάρκεια και μετά τη χρήση, η κασέτα μπαταριών μπορεί να θερμανθεί, γεγονός που μπορεί να προκαλέσει εγκαύματα ή εγκαύματα από χαμηλή θερμοκρασία. Προσεύχεται το χειρισμό των ζεστών κασετών μπαταριών.
15. Μην αγγίζετε τον ακροδέκτη του εργαλείου αμέσως μετά τη χρήση επειδή μπορεί να έχει ζεσταθεί αρκετά για να προκαλέσει εγκαύματα.
16. Μην αφήνετε θραύσματα, σκόνη ή βρομιά να κολλήσει στους ακροδέκτες, τις σπές και τις εγκοπές της κασέτας μπαταριών. Μπορεί να προκαλέσει θέρμανση, φωτιά, έκρηξη και δυσλειτουργία του εργαλείου ή της κασέτας μπαταριών, έχοντας ως αποτέλεσμα εγκαύματα ή προσωπικό τραυματισμό.
17. Εκτός αν το εργαλείο υποστηρίζει τη χρήση κασέτας σε ηλεκτρικές γραμμές υψηλής τάσης, μην χρησιμοποιείτε την κασέτα μπαταριών κοντά σε ηλεκτρικές γραμμές υψηλής τάσης. Μπορεί να έχει ως αποτέλεσμα δυσλειτουργία ή στάσιμο του εργαλείου ή της κασέτας μπαταριών.
18. ΚρΦυλάξτε την μπαταρία μακριά από παιδιά.

## ΦΥΛΑΞΤΕ ΤΙΣ ΟΔΗΓΙΕΣ ΑΥΤΕΣ.

**▲ΠΡΟΣΟΧΗ:** Να χρησιμοποιείτε μόνο γνήσιες μπαταρίες της Makita. Η χρήση μη γνήσιων μπαταριών Makita, ή μπαταριών που έχουν τροποποιηθεί, μπορεί να έχει ως αποτέλεσμα τη ρήξη της μπαταρίας, προκαλώντας πυρκαγιά, προσωπικό τραυματισμό και βλάβη. Επίσης, θα ακυρωθεί η εγγύηση της Makita για το εργαλείο και φορτιστή Makita.

## Συμβουλές για τη διατήρηση της μέγιστης ζωής μπαταρίας

1. Φορτίζετε την κασέτα μπαταριών πριν από την πλήρη αποφόρτισή της. Πάντοτε να σταματάτε τη λειτουργία του εργαλείου και να φορτίζετε την κασέτα μπαταριών όταν παρατηρήσει μειωμένη ισχύ εργαλείου.
2. Ποτέ μην επαναφορτίζετε μια πλήρως φορτισμένη κασέτα μπαταριών. Η υπερφόρτιση μειώνει την ωφέλιμη ζωή της μπαταρίας.
3. Να φορτίζετε την κασέτα μπαταριών σε θερμοκρασία δωματίου, δηλαδή στους 10 °C έως 40 °C. Αφήστε μια θερμή κασέτα μπαταριών να κρυώσει πριν την φορτίσετε.
4. Όταν δεν χρησιμοποιείτε την κασέτα μπαταριών, αφαιρέστε την από το εργαλείο ή τον φορτιστή.
5. Να φορτίζετε την κασέτα μπαταριών εάν δεν τη χρησιμοποιείτε για μεγάλη χρονική περίοδο (περισσότερο από έξι μήνες).

## ΠΕΡΙΓΡΑΦΗ ΛΕΙΤΟΥΡΓΙΑΣ

**▲ ΠΡΟΣΟΧΗ:** Να φροντίζετε πάντα για την απενεργοποίηση του εργαλείου και την αφαίρεση της κασέτας μπαταρίας, πριν από οποιαδήποτε ρύθμιση ή έλεγχο της λειτουργίας του.

### Τοποθέτηση ή αφαίρεση της κασέτας μπαταριών

**▲ ΠΡΟΣΟΧΗ:** Να σβήνετε πάντα το εργαλείο πριν τοποθετήσετε ή αφαιρέσετε την κασέτα μπαταριών.

**▲ ΠΡΟΣΟΧΗ:** Κρατήστε το εργαλείο και την κασέτα μπαταριών σταθερά κατά την τοποθέτηση ή αφαίρεση της κασέτας μπαταριών. Εάν δεν κρατάτε το εργαλείο και την κασέτα μπαταριών σταθερά μπορεί να γλιστρήσουν από τα χέρια σας και να προκληθεί βλάβη στο εργαλείο και την κασέτα μπαταριών και προσωπικός τραυματισμός.

► **Εικ.1:** 1. Κόκκινος δείκτης 2. Κουμπί 3. Κασέτα μπαταριών

Για να αφαιρέσετε την κασέτα μπαταριών, ολισθήστε την από το εργαλείο ενώ σύρετε το κουμπί στο μπροστινό μέρος της κασέτας.

Για να τοποθετήσετε την κασέτα μπαταριών, ευθυγραμμίστε τη γλώσσα στην κασέτα μπαταριών με την εγκοπή στο περίβλημα και ολισθήστε τη στη θέση της. Τοποθετήστε την μέχρι τέρμα μέχρι να ασφαλίσει στη θέση της, γεγονός που υποδεικνύεται με ένα χαρακτηριστικό ήχο. Αν μπορείτε να δείτε τον κόκκινο δείκτη όπως απεικονίζεται στην εικόνα, δεν έχει κλειδωθεί τελείως.

**▲ ΠΡΟΣΟΧΗ:** Να τοποθετείτε πάντα την κασέτα μπαταριών πλήρως μέχρι να μη βλέπετε τον κόκκινο δείκτη. Εάν δεν ασφαλιστεί, μπορεί να πέσει από το εργαλείο τυχαία, προκαλώντας σωματική βλάβη σε εσάς ή κάποιον άλλο γύρω σας.

**▲ ΠΡΟΣΟΧΗ:** Μην τοποθετείτε την κασέτα μπαταριών με βία. Εάν η κασέτα δεν ολισθαίνει με ευκολία, τότε δεν έχει τοποθετηθεί κατάλληλα.

### Εμφάνιση υπολειπόμενης χωρητικότητας μπαταρίας

Πίστετε το κουμπί ελέγχου στην κασέτα μπαταριών για να υποδείξετε την υπολειπόμενη χωρητικότητα μπαταρίας. Οι ενδεικτικές λυχνίες ανάβουν για λίγα δευτερόλεπτα.

► **Εικ.2:** 1. Ενδεικτικές λυχνίες 2. Κουμπί ελέγχου

Ενδεικτικές λυχνίες			Υπολειπόμενη χωρητικότητα
Αναμμένες	Σβηστές	Αναβοσβήνουν	
■ ■ ■ ■	□ □ □ □		75% έως 100%
■ ■ ■ □	□ □ □ □		50% έως 75%
■ ■ □ □	□ □ □ □		25% έως 50%
■ □ □ □	□ □ □ □		0% έως 25%
▲ □ □ □	□ □ □ □		Φορτίστε την μπαταρία.
■ ■ □ □	□ □ □ □	↑ ↓	Μπορεί να προέκυψε δυσλειτουργία στην μπαταρία.

**ΠΑΡΑΤΗΡΗΣΗ:** Ανάλογα με τις συνθήκες χρήσης και τη θερμοκρασία περιβάλλοντος, η ένδειξη μπορεί να διαφέρει λίγο από την πραγματική χωρητικότητα.

**ΠΑΡΑΤΗΡΗΣΗ:** Η πρώτη (τέρμα αριστερά) ενδεικτική λυχνία θα αναβοσβήνει όταν λειτουργεί το σύστημα προστασίας μπαταρίας.

### Σύστημα προστασίας εργαλείου/ μπαταρίας

Το εργαλείο είναι εξοπλισμένο με σύστημα προστασίας εργαλείου/μπαταρίας. Αυτό το σύστημα αποκτάει αυτόματα την ισχύ προς το μοτέρ για να παραταθεί η διάρκεια λειτουργίας του εργαλείου και της μπαταρίας. Το εργαλείο σταματάει αυτόματα κατά τη διάρκεια της λειτουργίας αν το εργαλείο βρεθεί κάτω από τις παρακάτω συνθήκες:

► **Εικ.3:** 1. Προειδοποιητική λυχνία

Προειδοποιητική λυχνία		Κατάσταση
Χρώμα	● Αναμμένη ● Αναβοσβήνει	
Πράσινη	●	Υπερφόρτιση
Κόκκινη	● (εργαλείο) / ● (μπαταρία)	Υπερθέρμανση
Κόκκινη	●	Υπερεκφόρτιση

**ΕΙΔΟΠΟΙΗΣΗ:** Ανάλογα με τις συνθήκες χρήσης, το εργαλείο σταματάει αυτόματα χωρίς καμία ένδειξη αν μπλεχτούν κλαδιά ή σκουπίδια στο εργαλείο. Σε αυτή την περίπτωση, απενεργοποιήστε το εργαλείο και αφαιρέστε την κασέτα μπαταριών, μετά αφαιρέστε τα μπλεγμένα κλαδιά ή σκουπίδια χρησιμοποιώντας εργαλεία όπως μια πέννα. Αφού αφαιρέσετε τα κλαδιά ή σκουπίδια, τοποθετήστε την κασέτα μπαταριών και ενεργοποιήστε ξανά το εργαλείο.

## Προστασία υπερφόρτωσης

Αν το εργαλείο ή η μπαταρία υπερφορτωθεί με μπλεγμένα κλαδιά ή άλλα σκουπίδια, σταματάει αυτόματα η λειτουργία του εργαλείου και η λυχνία προσοχής αρχίζει να αναβοσβήνει με πράσινο χρώμα.

Σε αυτή την κατάσταση, σβήστε το εργαλείο και διακόψτε την εφαρμογή που προκαλεί την υπερφόρτωση του εργαλείου. Μετά, ενεργοποιήστε το εργαλείο για επανεκκίνηση.

## Προστασία υπερθέρμανσης για το εργαλείο ή την μπαταρία

Αν το εργαλείο ή η κασέτα μπαταριών υπερθερμανθεί, το εργαλείο σταματάει αυτόματα. Όταν το εργαλείο υπερθερμανθεί, ανάβει η προειδοποιητική λυχνία με κόκκινο χρώμα. Όταν η κασέτα μπαταριών υπερθερμανθεί, η προειδοποιητική λυχνία αναβοσβήνει με κόκκινο χρώμα. Αφήστε το εργαλείο και/ή την μπαταρία να κρυώσει, πριν ενεργοποιήσετε ξανά το εργαλείο.

## Προστασία υπερβολικής απόφορτισης

Όταν η χωρητικότητα μπαταρίας είναι χαμηλή, η λειτουργία του εργαλείου σταματάει αυτόματα και η προειδοποιητική λυχνία αρχίζει να αναβοσβήνει με κόκκινο χρώμα.

Αν το εργαλείο δεν λειτουργήσει ακόμα και όταν χειριστείτε τους διακόπτες, αφαιρέστε την κασέτα μπαταριών από το εργαλείο και φορτίστε την.

## Προστασία και από άλλες αιτίες

Το σύστημα προστασίας έχει επίσης σχεδιαστεί για άλλες αιτίες που μπορούν να προκαλέσουν ζημιά στο εργαλείο και επιτρέπει την αυτόματη διακοπή του εργαλείου. Λάβετε όλα τα ακόλουθα βήματα για να διορθώσετε τις αιτίες, όταν το εργαλείο τεθεί σε προσωρινή διακοπή ή διακοπή κατά τη διάρκεια της λειτουργίας.

1. Απενεργοποιήστε το εργαλείο και, στη συνέχεια, ενεργοποιήστε το ξανά για να επανεκκίνηση.
2. Φορτίστε την μπαταρία ή τις μπαταρίες ή αντικαταστήστε τις με επαναφορτιζόμενες μπαταρίες.
3. Αφήστε το μηχανήμα και τις μπαταρίες να ψυχθούν.

Εάν δεν υπάρχει βελτίωση με την επαναφορά του συστήματος προστασίας, επικοινωνήστε με το τοπικό σας κέντρο εξυπηρέτησης της Makita.

## Δράση διακόπτη τροφοδοσίας

**▲ΠΡΟΕΙΔΟΠΟΙΗΣΗ:** Για την ασφάλειά σας, το εργαλείο αυτό παρέχεται με μοχλό που αποτρέπει την εκκίνηση του εργαλείου κατά λάθος. Μην χρησιμοποιείτε ΠΟΤΕ το εργαλείο αν μπορείτε να το θέσετε σε λειτουργία πιέζοντας απλά τις σκανδάλες διακόπτες, χωρίς να τραβάτε και το μοχλό. Στείλτε το εργαλείο σε εξουσιοδοτημένο κέντρο σέρβις για να το επισκευάσουν σωστά ΠΡΙΝ το χρησιμοποιήσετε ξανά.

**▲ΠΡΟΕΙΔΟΠΟΙΗΣΗ:** Μην κολλάτε ΠΟΤΕ το μοχλό στην πατημένη θέση του και ΠΟΤΕ μην παρακάμπτετε το σκοπό και τη λειτουργία του μοχλού.

**▲ΠΡΟΕΙΔΟΠΟΙΗΣΗ:** Πριν τοποθετήσετε την κασέτα μπαταριών στο εργαλείο, να ελέγχετε πάντα ότι οι σκανδάλες διακόπτες και ο μοχλός ενεργοποιούνται κανονικά και επιστρέφουν στην ανενεργή θέση όταν ελευθερώνονται. Η λειτουργία ενός εργαλείου με διακόπτη ο οποίος δεν ενεργοποιείται σωστά μπορεί να οδηγήσει σε απώλεια ελέγχου και σοβαρό προσωπικό τραυματισμό.

**▲ΠΡΟΣΟΧΗ:** Μη βάζετε ποτέ το δάχτυλό σας πάνω στις σκανδάλες διακόπτες καθώς το μεταφέρετε. Μπορεί να ξεκινήσει να λειτουργεί κατά λάθος το εργαλείο και να προκληθεί τραυματισμός.

**ΕΙΔΟΠΟΙΗΣΗ:** Μην τραβάτε τη σκανδάλη διακόπτη με βία χωρίς να πατάτε το μοχλό. Αυτό μπορεί να προκαλέσει βλάβη του διακόπτη.

Πατήστε το κουμπί κύριας λειτουργίας για να ενεργοποιήσετε το εργαλείο. Για να απενεργοποιήσετε το εργαλείο, πατήστε παρατεταμένα το κουμπί κύριας λειτουργίας μέχρι να σβήσουν οι ενδείξεις ταχύτητας.

► **Εικ.4:** 1. Κουμπί κύριας λειτουργίας

**ΠΑΡΑΤΗΡΗΣΗ:** Η λυχνία προσοχής αναβοσβήνει αν τραβήξετε τη σκανδάλη διακόπτη κάτω από μη λειτουργικές συνθήκες. Η λυχνία προσοχής αναβοσβήνει αν ενεργοποιήσετε τον διακόπτη κύριας λειτουργίας ενώ κρατάτε πατημένο τον μοχλό και τη σκανδάλη διακόπτη.

**ΠΑΡΑΤΗΡΗΣΗ:** Αυτό το εργαλείο χρησιμοποιεί τη λειτουργία αυτόματης απενεργοποίησης. Για να αποφευχθεί η αθέλητη εκκίνηση, ο διακόπτης κύριας λειτουργίας κλείνει αυτόματα αν δεν τραβήξετε τη σκανδάλη διακόπτη για κάποια καθορισμένη περίοδο μετά την ενεργοποίηση του διακόπτη κύριας λειτουργίας.










Για να μην πιέζεται η σκανδάλη διακόπτης κατά λάθος, παρέχεται ο μοχλός. Για να ξεκινήσετε τη λειτουργία του εργαλείου, τραβήξτε την μπροστινή σκανδάλη διακόπτη και μετά τραβήξτε την πίσω σκανδάλη διακόπτη ενώ πιέζετε το μοχλό. Όταν αφήνετε οποιαδήποτε από τις σκανδάλες διακόπτες, το εργαλείο σταματάει.

► **Εικ.5:** 1. Μοχλός 2. Πίσω σκανδάλη διακόπτης 3. Μπροστινή σκανδάλη διακόπτης

## Ρύθμιση ταχύτητας

Μπορείτε να ρυθμίσετε την ταχύτητα του εργαλείου αν πατήσετε το κουμπί κύριας λειτουργίας. Κάθε φορά που πατάτε το κουμπί κύριας λειτουργίας, αλλάζει το επίπεδο της ταχύτητας.

► **Εικ.6:** 1. Ένδειξη ταχύτητας 2. Κουμπί κύριας λειτουργίας

Ένδειξη ταχύτητας	Λειτουργία	Ταχύτητα διαδρομής
3  2  1 	Υψηλή	5.000 min <sup>-1</sup>
3  2  1 	Μεσαία	3.600 min <sup>-1</sup>
3  2  1 	Χαμηλή	2.000 min <sup>-1</sup>

## Κουμπί αντιστροφής για αφαίρεση σκουπιδιών

**ΠΡΟΕΙΔΟΠΟΙΗΣΗ:** Αν τα μπλεγμένα κλαδιά ή σκουπίδια δεν αφαιρεθούν με τη λειτουργία αντιστροφής, απενεργοποιήστε το εργαλείο και αφαιρέστε την κασέτα μπαταριών, μετά αφαιρέστε τα μπλεγμένα κλαδιά ή απορρίμματα χρησιμοποιώντας εργαλείο όπως μια πένσα. Αν δεν σβήσετε το εργαλείο και δεν βγάλετε την κασέτα μπαταριών, μπορεί να προκληθεί σοβαρός προσωπικός τραυματισμός από την τυχαία εκκίνηση. Η αφαίρεση των μπλεγμένων κλαδιών ή σκουπιδιών με το χέρι μπορεί να προκαλέσει τραυματισμό, επειδή οι λάμες κουρευτικού μπορεί να κινηθούν σε αντίδραση της αφαίρεσής τους.

Αυτό το εργαλείο διαθέτει ένα κουμπί αντιστροφής για να αλλάζει τη διεύθυνση της κίνησης των λαμών κουρευτικού. Προορίζεται μόνο για την απομάκρυνση κλαδιών και σκουπιδιών που είναι μπλεγμένα στο εργαλείο. Για να αντιστρέψετε την κίνηση των λαμών κουρευτικού, πέστε το κουμπί αντιστροφής όταν οι λάμες κουρευτικού έχουν σταματήσει, μετά τραβήξτε την μπροστινή σκανδάλη διακόπτη και μετά τραβήξτε την πίσω σκανδάλη διακόπτη ενώ πατάτε το μοχλό. Οι ενδείξεις ταχύτητας αρχίζουν να αναβοσβήνουν και οι λάμες κουρευτικού κινούνται προς την αντίθετη κατεύθυνση. Όταν αφαιρεθούν τα μπλεγμένα κλαδιά και σκουπίδια, το εργαλείο επιστρέφει στην κανονική κίνηση και οι ενδείξεις ταχύτητας σταματούν να αναβοσβήνουν και ανάβουν συνεχόμενα.

► **Εικ.7:** 1. Ένδειξη ταχύτητας 2. Κουμπί αντιστροφής

**ΠΑΡΑΤΗΡΗΣΗ:** Αν δεν μπορούν να αφαιρεθούν τα μπλεγμένα κλαδιά ή σκουπίδια, απελευθερώστε τις σκανδάλες διακόπτες, πατήστε το κουμπί αντιστροφής και μετά τραβήξτε τις σκανδάλες διακόπτες μέχρι να αφαιρεθούν.

**ΠΑΡΑΤΗΡΗΣΗ:** Αν κτυπήσετε το κουμπί αντιστροφής ενώ οι λάμες κουρευτικού κινούνται ακόμη, το εργαλείο ακινητοποιείται και είναι έτοιμο για την αντίστροφη κίνηση.

## Ηλεκτρονική λειτουργία

Το εργαλείο είναι εξοπλισμένο με ηλεκτρονικές λειτουργίες για εύκολη λειτουργία.

- Έλεγχος σταθερής ταχύτητας  
Η λειτουργία ελέγχου ταχύτητας παρέχει σταθερή ταχύτητα περιστροφής, ανεξάρτητα από τις συνθήκες φόρτου.
- Ηλεκτρικό φρένο  
Το εργαλείο αυτό είναι εξοπλισμένο με ηλεκτρικό φρένο. Αν το εργαλείο αποτυγχάνει συνεχώς να σταματάει γρήγορα τις λάμες κουρευτικού όταν αφήνετε τη σκανδάλη διακόπτη, αναθέστε την επισκευή του εργαλείου σε εξουσιοδοτημένο κέντρο εξυπηρέτησης της Makita.
- Λειτουργία αποφυγής τυχαίας επανεκκίνησης  
Ακόμα κι αν τοποθετήσετε την κασέτα μπαταριών ενώ τραβάτε τη σκανδάλη διακόπτη, το εργαλείο δεν ξεκινά. Για να ξεκινήσετε τη λειτουργία του εργαλείου, πρώτα αφήστε τη σκανδάλη διακόπτη και μετά τραβήξτε τη σκανδάλη διακόπτη.

## ΣΥΝΑΡΜΟΛΟΓΗΣΗ

**ΠΡΟΣΟΧΗ:** Να βεβαιώνετε πάντα ότι το εργαλείο είναι σβηστό και η κασέτα μπαταρίας έχει αφαιρεθεί πριν εκτελέσετε κάποια εργασία στο εργαλείο.

**ΠΡΟΣΟΧΗ:** Όταν αντικαθιστάτε τις λάμες κουρευτικού, να φοράτε πάντα γάντια για να μην έρχονται τα χέρια σας σε απευθείας επαφή με τις λάμες.

**ΕΙΔΟΠΟΙΗΣΗ:** Όταν αντικαθιστάτε τις λάμες κουρευτικού, μη σκουπίζετε το γράσο από το γρναζί και στρόφαλο.

## Τοποθέτηση ή αφαίρεση των λαμών κουρευτικού

**ΠΡΟΣΟΧΗ:** Προσαρτήστε το κάλυμμα λαμών πριν αφαιρέσετε ή τοποθετήσετε τις λάμες κουρευτικού.

Στο εργαλείο σας μπορείτε να εγκαταστήσετε λάμες κουρευτικού 600 mm ή 750 mm.

**ΠΑΡΑΤΗΡΗΣΗ:** Αν αλλάζετε τις λάμες κουρευτικού σε διαφορετικό μήκος, αντικαταστήστε τον συλλογέα θραυσμάτων με έναν που ταιριάζει στις λάμες.

1. Αφαιρέστε τέσσερις βίδες (για UH013G) ή πέντε βίδες (για UH014G) και μετά αφαιρέστε τον συλλογέα θραυσμάτων από το εργαλείο.

Για UH013G

► **Εικ.8:** 1. Συλλογέας θραυσμάτων 2. Βίδα

Για UH014G

► **Εικ.9:** 1. Συλλογέας θραυσμάτων 2. Βίδα

2. Τοποθετήστε το εργαλείο ανάποδα και μετά αφαιρέστε τα έξι μπουλόνια.

► **Εικ.10:** 1. Μπουλόνι

3. Αφαιρέστε το κάλυμμα και την πλάκα.

► **Εικ.11:** 1. Κάλυμμα 2. Πλάκα

**ΠΑΡΑΤΗΡΗΣΗ:** Η πλάκα μπορεί να παραμείνει στο κάλυμμα.

4. Αφαιρέστε τη ράβδο και το έδρανο.

► **Εικ.12:** 1. Ράβδος 2. Έδρανο

**ΠΑΡΑΤΗΡΗΣΗ:** Η ράβδος ή το έδρανο μπορεί να παραμείνει στο κάλυμμα.

5. Αφαιρέστε τις τρεις βίδες, τα τρία χιτώνια και το πέλμα και μετά αφαιρέστε τις λάμες κουρευτικού.

► **Εικ.13:** 1. Βίδα 2. Χιτώνιο 3. Πέλμα 4. Λάμες κουρευτικού

**ΕΙΔΟΠΟΙΗΣΗ:** Προσέχετε να μην χάσετε τις βίδες.

6. Αφαιρέστε το κάλυμμα λαμών και μετά προσαρτήστε το στις καινούριες λάμες κουρευτικού.

► **Εικ.14**

7. Προσαρμόστε τον στρόφαλο με τρόπο ώστε οι δύο οπές να ευθυγραμμιστούν στη γραμμή ευθυγράμμισης.

► **Εικ.15:** 1. Οπή 2. Γραμμή ευθυγράμμισης

8. Ευθυγραμμίστε τις προεξοχές στις λάμες κουρευτικού κάθετα στην ίδια θέση.

► **Εικ.16:** 1. Προεξοχή

9. Εισαγάγετε τη βίδα που αφαιρέσατε στο βήμα 5 στις οπές στο κάλυμμα λαμών και στις λάμες κουρευτικού για να στερεώσετε προσωρινά τις λάμες κουρευτικού και μετά προσαρτήστε το πέλμα στις λάμες κουρευτικού.

► **Εικ.17:** 1. Βίδα 2. Πέλμα 3. Οπή

10. Εισαγάγετε την προεξοχή των λαμών κουρευτικού στην οπή της ράβδου, και μετά ευθυγραμμίστε τη θέση του πηλμάτος με τις οπές στο εργαλείο. Προσαρτήστε δύο νέα χιτώνια.

► **Εικ.18:** 1. Πέλμα 2. Προεξοχή 3. Οπή 4. Χιτώνιο

**ΕΙΔΟΠΟΙΗΣΗ:** Εφαρμόστε μια μικρή ποσότητα γράσου στην εσωτερική περιφέρεια της οπής της ράβδου.

**ΕΙΔΟΠΟΙΗΣΗ:** Προσέχετε να μην χάσετε τα χιτώνια.

11. Ευθυγραμμίστε τις οπές στα χιτώνια και τις λάμες κουρευτικού με τις οπές στο εργαλείο, και μετά σφίξτε τις δύο βίδες για να στερεώσετε προσωρινά τις λάμες κουρευτικού.

► **Εικ.19:** 1. Βίδα

12. Αφαιρέστε τη βίδα που είχατε εισάγει στην οπή στις λάμες κουρευτικού στο βήμα 9 και μετά ολισθήστε το κάλυμμα λαμών.

► **Εικ.20:** 1. Βίδα

13. Προσαρτήστε ένα νέο χιτώνιο.

► **Εικ.21:** 1. Χιτώνιο

14. Σφίξτε τη βίδα μαζί με το χιτώνιο για να στερεώσετε τις λάμες κουρευτικού.

► **Εικ.22:** 1. Βίδα

15. Σφίξτε καλά τις βίδες που στερεώσατε προσωρινά στο βήμα 11.

16. Προσαρτήστε το έδρανο και τη ράβδο.

► **Εικ.23:** 1. Ράβδος 2. Μικρή οπή 3. Έδρανο

**ΕΙΔΟΠΟΙΗΣΗ:** Εφαρμόστε μια μικρή ποσότητα γράσου στην εσωτερική περιφέρεια της μικρής οπής της ράβδου.

**ΕΙΔΟΠΟΙΗΣΗ:** Βεβαιωθείτε ότι η προεξοχή στις λάμες κουρευτικού προσαρμόζεται στη μικρή οπή στη ράβδο.

17. Προσαρτήστε την πλάκα.

► **Εικ.24:** 1. Προεξοχή 2. Πλάκα

**ΕΙΔΟΠΟΙΗΣΗ:** Βεβαιωθείτε ότι η προεξοχή στις λάμες κουρευτικού προσαρμόζεται στην οπή στην πλάκα.

18. Προσαρτήστε το κάλυμμα και μετά σφίξτε τα έξι μπουλόνια.

► **Εικ.25:** 1. Μπουλόνι 2. Κάλυμμα

19. Προσαρτήστε τον συλλογέα θραυσμάτων στο εργαλείο σφίγγοντας τις τέσσερις βίδες (για το UH013G) ή τις πέντε βίδες (για το UH014G).

**Για UH013G**

► **Εικ.26:** 1. Συλλογέας θραυσμάτων 2. Βίδα

**Για UH014G**

► **Εικ.27:** 1. Συλλογέας θραυσμάτων 2. Βίδα

**ΕΙΔΟΠΟΙΗΣΗ:** Αν οι λάμες κουρευτικού δεν κινούνται ομαλά, οι λάμες κουρευτικού δεν έχουν πιάσει σωστά στις ράβδους. Τοποθετήστε ξανά τις λάμες κουρευτικού.

**ΕΙΔΟΠΟΙΗΣΗ:** Αν εξαρτήματα εκτός των λαμών κουρευτικού, όπως οι ράβδοι, είναι φθαρμένα, ζητήστε από εξουσιοδοτημένο κέντρο σέρβις της Makita να αντικαταστήσει ή να επισκευάσει τα εξαρτήματα.

## Αφαίρεση ή τοποθέτηση του συλλογέα θραυσμάτων

**⚠️ ΠΡΟΣΟΧΗ:** Όταν τοποθετείτε ή αφαιρείτε τον συλλογέα θραυσμάτων, να φοράτε πάντα γάντια για να μην έρχονται τα χέρια σας σε απευθείας επαφή με τις λάμες κουρευτικού.

Ο συλλογέας θραυσμάτων μαζεύει τα παραπαιταμένα φύλλα και καθιστά τον μετέπειτα καθαρισμό πολύ πιο εύκολο.

Για να αφαιρέσετε τον συλλογέα θραυσμάτων, αφαιρέστε τις τέσσερις βίδες (για το UH013G) ή τις πέντε βίδες (για το UH014G) και μετά αφαιρέστε τον συλλογέα θραυσμάτων από το εργαλείο. Για να τοποθετήσετε τον συλλογέα θραυσμάτων, ακολουθήστε τη διαδικασία αφαίρεσης με αντίστροφη σειρά.

**Για UH013G**

► **Εικ.28:** 1. Συλλογέας θραυσμάτων 2. Βίδα

**Για UH014G**

► **Εικ.29:** 1. Συλλογέας θραυσμάτων 2. Βίδα

## ΛΕΙΤΟΥΡΓΙΑ

**▲ ΠΡΟΕΙΔΟΠΟΙΗΣΗ:** Να κρατάτε τα χέρια σας μακριά από τις λάμες κουρευτικού.

**▲ ΠΡΟΣΟΧΗ:** Αποφύγετε τη λειτουργία του εργαλείου σε πολύ ζεστό καιρό, όσο αυτό είναι εφικτό. Όταν χρησιμοποιείτε το εργαλείο, να προσέχετε τη σωματική σας κατάσταση.

**▲ ΠΡΟΣΟΧΗ:** Κατά το ψαλίδισμα, προσέχετε να μην έρθει το εργαλείο σε επαφή με μεταλλικό φράχτη ή άλλα σκληρά αντικείμενα. Οι λάμες κουρευτικού μπορεί να σπάσουν και να προκαλέσουν τραυματισμό.

**▲ ΠΡΟΣΟΧΗ:** Προσέξτε να μην αφήσετε τις λάμες κουρευτικού να έρθουν σε επαφή με το έδαφος. Διαφορετικά το εργαλείο μπορεί να ανατιλιχτεί και να προκαλέσει τραυματισμό.

**▲ ΠΡΟΣΟΧΗ:** Είναι εξαιρετικά επικίνδυνο να τευνώνεστε με το ψαλίδι μπορντούρας, ειδικά όταν βρίσκεστε επάνω σε σκάλα. Μην εργάζεστε ενώ στέκεστε επάνω σε ο,τιδήποτε ασταθές ή αδύναμο.

**ΕΙΔΟΠΟΙΗΣΗ:** Μην επιχειρήσετε να κόβετε κλαδιά με διάμετρο μεγαλύτερη από 10 mm με το εργαλείο. Κόψτε τα κλαδιά στα 10 cm κάτω από το ύψος κοπής χρησιμοποιώντας κλαδευτήρες πριν χρησιμοποιήσετε το εργαλείο.

► **Εικ.30:** (1) Ύψος κοπής (2) 10 cm

**ΕΙΔΟΠΟΙΗΣΗ:** Μην κόβετε νεκρά δέντρα ή παρόμοια σκληρά αντικείμενα. Μπορεί να προκληθεί ζημιά στο εργαλείο.

**ΕΙΔΟΠΟΙΗΣΗ:** Μην ψαλιδίζετε το γκαζόν ή τα αγριόχορτα ενώ χρησιμοποιείτε τις λάμες κουρευτικού. Οι λάμες κουρευτικού μπορεί να μπερδευτούν στο γκαζόν ή στα αγριόχορτα.

Κρατήστε την μπροστινή λαβή με το δεξί χέρι σας και την πίσω λαβή με το αριστερό χέρι σας. Τραβήξτε την μπροστινή σκανδάλη διακόπτη, μετά τραβήξτε την πίσω σκανδάλη διακόπτη ενώ πατάτε το μοχλό και μετά μετακινήστε το εργαλείο προς τα μπροστά.

► **Εικ.31**

Για βασική λειτουργία, γείρετε τις λάμες κουρευτικού προς την κατεύθυνση ψαλιδίσματος και μετακινήστε τις ήρεμα και αργά με ταχύτητα 3 έως 4 δευτερόλεπτα το μέτρο.

► **Εικ.32**

Για να κόψετε ομοιόμορφα το άνω τμήμα της μπορντούρας, δέστε ένα σκοινί στο επιθυμητό ύψος και κουρέψτε κατά μήκος αυτού.

► **Εικ.33**

Ο συλλογέας θραυσμάτων μαζεύει τα παραπεταμένα φύλλα και καθιστά τον μετέπειτα καθάρισμα πολύ πιο εύκολο.

► **Εικ.34**

Για να κόψετε ομοιόμορφα την πλευρά μπορντούρας, να κουρέυετε από το κάτω μέρος προς τα πάνω.

► **Εικ.35**

Όταν ψαλιδίζετε για να δώσετε ένα στρογγυλό σχήμα (ψαλίδισμα πυζαριού ή ροδόδεντρου, κτλ.), να ψαλιδίζετε από τη ρίζα προς τα πάνω, για ένα όμορφο τελείωμα.

► **Εικ.36**

## ΣΥΝΤΗΡΗΣΗ

**▲ ΠΡΟΣΟΧΗ:** Πριν την εκτέλεση εργασιών επιθεώρησης ή συντήρησης, πάντοτε να βεβαιώνετε ότι η συσκευή απενεργοποιήθηκε και η κασέτα μπαταριών έχει αφαιρεθεί.

Για τη διατήρηση της ΑΣΦΑΛΕΙΑΣ και ΑΞΙΟΠΙΣΤΙΑΣ του προϊόντος, οι επισκευές και οποιαδήποτε άλλη εργασία συντήρησης ή ρύθμισης πρέπει να εκτελούνται από εξουσιοδοτημένα ή εργοστασιακά κέντρα εξυπηρέτησης της Makita, χρησιμοποιώντας πάντοτε ανταλλακτικά της Makita.

### Καθαρισμός του εργαλείου

Καθαρίστε το εργαλείο σκουπίζοντας τη σκόνη με ένα στεγνό πανί ή ένα πανί διαποτισμένο με σαπουνόνερο αφού πρώτα το έχετε στύψει.

**ΕΙΔΟΠΟΙΗΣΗ:** Μην χρησιμοποιείτε ποτέ βενζίνη, πετρελαϊκό αιθέρα, διαλυτικό, αλκοόλη ή παρόμοιες ουσίες. Μπορεί να προκληθεί αποχρωματισμός, παραμόρφωση ή ρωγμές.

### Συντήρηση λαμών κουρευτικού

Πριν τη λειτουργία ή μία φορά κάθε ώρα κατά τη διάρκεια της λειτουργίας, εφαρμόστε λάδι χαμηλού ιξώδους (μηχανέλαιο ή λιπαντικό λάδι σε μορφή σπρέι) στις λάμες κουρευτικού.

► **Εικ.37**

Μετά τη λειτουργία, αφαιρέστε τη σκόνη από τις λάμες κουρευτικού με μια συμμάτινη βούρτσα, σκουπίστε τις με ένα πανί και μετά εφαρμόστε λάδι χαμηλού ιξώδους (μηχανέλαιο ή λιπαντικό λάδι σε μορφή σπρέι) στις λάμες κουρευτικού.

► **Εικ.38**

**ΕΙΔΟΠΟΙΗΣΗ:** Μην πλένετε τις λάμες κουρευτικού σε νερό. Αν το κάνετε αυτό, μπορεί να προκληθεί σκουριά ή ζημιά στο εργαλείο.

**ΕΙΔΟΠΟΙΗΣΗ:** Το χρώμα και η διάβρωση μπορούν να προκαλέσουν υπερβολική τριβή στις λάμες και μείωση του χρόνου λειτουργίας ανά φόρτιση της μπαταρίας.

### Αποθήκευση

Η οπή γάντζου στο κάτω μέρος του εργαλείου χρησιμεύει για το κρέμασμα του εργαλείου σε καρφή ή βίδα στον τοίχο.

Αφαιρέστε την κασέτα μπαταριών από το εργαλείο και μετά προσαρτήστε το κάλυμμα λαμών στις λάμες κουρευτικού με τρόπο ώστε οι λάμες να μην εκτεθούν. Αποθηκεύστε το εργαλείο μακριά από παιδιά. Φυλάξτε το εργαλείο σε ένα μέρος που δεν εκτίθεται στην υγρασία και τη βροχή.

► **Εικ.39:** 1. Οπή

## Ακόνισμα των λαμών κουρευτικού

**ΕΙΔΟΠΟΙΗΣΗ:** Αν οι λάμες κουρευτικού έχουν παραμορφωθεί σημαντικά από το ακόνισμα, αντικαταστήστε τις λάμες κουρευτικού με καινούριες.

1. Τοποθετήστε τις κασέτες μπαταριών στο εργαλείο.
2. Ενεργοποιήστε και εκκινήστε το εργαλείο ώστε η άνω λάμα και η κάτω λάμα να είναι τοποθετημένες εναλλάξ.  
▶ **Εικ.40**
3. Απενεργοποιήστε το εργαλείο και αφαιρέστε την κασέτα μπαταριών από το εργαλείο.
4. Θέστε την κλίση μιας λάμας στις 45°, και ακονίστε την άνω λάμα από 3 κατευθύνσεις με τη λάμα.  
▶ **Εικ.41:** (1) Λάμα (2) 45°

**⚠ ΠΡΟΣΟΧΗ:** Πριν ακονίσετε τις λάμες κουρευτικού, βεβαιωθείτε ότι το εργαλείο είναι απενεργοποιημένο και η κασέτα μπαταριών έχει αφαιρεθεί από το εργαλείο.

5. Τοποθετήστε το εργαλείο ανάποδα και μετά αφαιρέστε τα γρέζια από τις λάμες κουρευτικού με την πέτρα λείανσης.

▶ **Εικ.42:** 1. Πέτρα λείανσης

6. Θέστε την κλίση μιας λάμας στις 45° και ακονίστε την κάτω λάμα από 3 κατευθύνσεις με τη λάμα.

7. Επιστρέψτε το εργαλείο στην κανονική θέση και μετά αφαιρέστε τα γρέζια από τις λάμες κουρευτικού με την πέτρα λείανσης.

## Λίπανση με γράσο

**Μεσοδιάστημα λίπανσης:** Κάθε 50 ώρες λειτουργίας

1. Αφαιρέστε το μπουλόνι από την σπή για λίπανση.

▶ **Εικ.43:** 1. Μπουλόνι

2. Αφαιρέστε το καπάκι από τον περιέκτη γράσου. Ευθυγραμμίστε την έξοδο του περιέκτη γράσου με την σπή στο κάλυμμα και μετά πατήστε την έξοδο του περιέκτη γράσου στην σπή.

▶ **Εικ.44:** 1. Περιέκτης γράσου 2. Οπή

3. Εφαρμόστε το γράσο στο εργαλείο (περίπου 5 g ως οδηγό).

4. Σφίξτε το μπουλόνι.

## ΑΝΤΙΜΕΤΩΠΙΣΗ ΠΡΟΒΛΗΜΑΤΩΝ

Πριν ζητήσετε επισκευές, εκτελέστε αρχικά τη δική σας επιθεώρηση. Αν εντοπίσετε πρόβλημα που δεν επεξηγείται στο εγχειρίδιο, μην επιχειρήσετε να αποσυναρμολογήσετε το εργαλείο. Αντ' αυτού, ζητήστε βοήθεια από εξουσιοδοτημένα κέντρα εξυπηρέτησης της Makita και πάντοτε να χρησιμοποιείτε γνήσια ανταλλακτικά της Makita.

Κατάσταση προβλήματος	Πιθανή αιτία (δυσλειτουργία)	Αποκατάσταση
Το μοτέρ δεν λειτουργεί.	Δεν είναι τοποθετημένη η κασέτα μπαταριών.	Τοποθετήστε την κασέτα μπαταριών.
	Πρόβλημα μπαταριών (μικρή τάση)	Επαναφορτίστε την μπαταρία. Αν η επαναφόρτιση δεν είναι αποτελεσματική, αντικαταστήστε την μπαταρία.
	Το σύστημα μετάδοσης κίνησης δεν λειτουργεί σωστά.	Απευθυνθείτε στο τοπικό εξουσιοδοτημένο κέντρο σέρβις για επισκευή.
Το μοτέρ σταματά να λειτουργεί μετά από μικρή χρήση.	Το επίπεδο φόρτισης μπαταρίας είναι χαμηλό.	Επαναφορτίστε την μπαταρία. Αν η επαναφόρτιση δεν είναι αποτελεσματική, αντικαταστήστε την μπαταρία.
	Υπερθέρμανση.	Σταματήστε να χρησιμοποιείτε το εργαλείο για να το αφήσετε να κρυώσει.
Το εργαλείο δεν φτάνει τις μέγιστες ΣΑΛ.	Η μπαταρία δεν είναι σωστά τοποθετημένη.	Τοποθετήστε την κασέτα μπαταριών όπως περιγράφεται σε αυτό το εγχειρίδιο.
	Η ισχύς της μπαταρίας πέφτει.	Επαναφορτίστε την μπαταρία. Αν η επαναφόρτιση δεν είναι αποτελεσματική, αντικαταστήστε την μπαταρία.
	Το σύστημα μετάδοσης κίνησης δεν λειτουργεί σωστά.	Απευθυνθείτε στο τοπικό εξουσιοδοτημένο κέντρο σέρβις για επισκευή.
Οι λάμες κουρευτικού δεν κινούνται: ⇒ Σταματήστε αμέσως το μηχάνημα!	Ξένα αντικείμενα έχουν πιαστεί μεταξύ των λαμών κουρευτικού.	1. Χρησιμοποιήστε το κουμπί αντιστροφής. 2. Απενεργοποιήστε το εργαλείο και αφαιρέστε την κασέτα μπαταριών, μετά αφαιρέστε τα ξένα αντικείμενα χρησιμοποιώντας εργαλεία όπως μια πένσα.
	Το σύστημα μετάδοσης κίνησης δεν λειτουργεί σωστά.	Απευθυνθείτε στο τοπικό εξουσιοδοτημένο κέντρο σέρβις για επισκευή.
Ασυνήθιστοι κραδασμοί: ⇒ Σταματήστε αμέσως το μηχάνημα!	Οι λάμες κουρευτικού είναι σπασμένες, λυγισμένες ή φθαρμένες.	Αντικαταστήστε τις λάμες κουρευτικού.
	Το σύστημα μετάδοσης κίνησης δεν λειτουργεί σωστά.	Απευθυνθείτε στο τοπικό εξουσιοδοτημένο κέντρο σέρβις για επισκευή.
Οι λάμες κουρευτικού και το μοτέρ δεν σταματούν: ⇒ Βγάλτε αμέσως την μπαταρία!	Ηλεκτρική δυσλειτουργία.	Βγάλτε την μπαταρία και απευθυνθείτε στο τοπικό εξουσιοδοτημένο κέντρο σέρβις για επισκευή.



# ΠΡΟΑΙΡΕΤΙΚΑ ΕΞΑΡΤΗΜΑΤΑ

**⚠ ΠΡΟΣΟΧΗ:** Αυτά τα εξαρτήματα ή προσαρτήματα συνιστώνται για χρήση με το εργαλείο Makita που περιγράφηκε στις οδηγίες αυτές. Η χρήση οποιωνδήποτε άλλων εξαρτημάτων ή προσαρτημάτων μπορεί να προκαλέσει κίνδυνο τραυματισμού σε άτομα. Να χρησιμοποιείτε τα εξαρτήματα ή προσαρτήματα μόνο για την χρήση που προορίζονται.

Εάν χρειάζεστε οποιαδήποτε βοήθεια για περισσότερες πληροφορίες σε σχέση με αυτά τα εξαρτήματα, αποτανθείτε στο τοπικό σας κέντρο εξυπηρέτησης Makita.

- Διάταξη λαμών κουρευτικού
- Συλλογέας θραυσμάτων
- Περιέκτης γράσου
- Γνήσια μπαταρία και φορτιστής της Makita

**ΠΑΡΑΤΗΡΗΣΗ:** Μερικά στοιχεία στη λίστα μπορεί να συμπεριλαμβάνονται στη συσκευασία εργαλείου ως στάνταρ εξαρτήματα. Μπορεί να διαφέρουν ανάλογα με τη χώρα.

## TEKNİK ÖZELLİKLER

Model:	UH013G	UH014G
Bıçak uzunluğu	600 mm	750 mm
Dakikadaki hareket sayısı	2.000 / 3.600 / 5.000 min <sup>-1</sup>	
Tam uzunluk	1.085 mm	1.225 mm
Nominal voltaj	D.C. 36 V - 40 V maks	
Net ağırlık	3,9 - 4,5 kg	4,0 - 4,7 kg
Koruma sınıfı	IPX4	

- Sürekli yapılan araştırma ve geliştirmelerden dolayı, burada belirtilen özellikler önceden bildirilmeksizin değiştirilebilir.
- Özellikler ülkeden ülkeye değişebilir.
- Ağırlık, ekli aksesuara/aksesuarlara ve batarya kartuşuna bağlı olarak farklılık gösterebilir. EPTA-Prosedürü 01/2014'e göre en hafif ve en ağır kombinasyonlar tabloda verilmiştir.

## Geçerli batarya kartuşu ve şarj aleti

Batarya kartuşu	BL4020* / BL4025* / BL4040* / BL4050F * : Önerilen batarya
Şarj aleti	DC40RA / DC40RB / DC40RC

- Yukarıda listelenen batarya kartuşlarının ve şarj aletlerinin bazıları yaşadığınız bölgeye bağlı olarak mevcut olmayabilir.

**⚠UYARI:** Sadece yukarıda listelenen batarya kartuşlarını ve şarj aletlerini kullanın. Başka batarya kartuşlarının ve şarj aletlerinin kullanılması yaralanma ve/veya yangına neden olabilir.

## Önerilen kablo bağlantılı güç kaynağı

Taşınabilir güç ünitesi	PDC01 / PDC1200
-------------------------	-----------------

- Yukarıda listelenen kablo bağlantılı güç kaynakları yaşadığınız bölgeye bağlı olarak mevcut olmayabilir.
- Kablo bağlantılı güç kaynağını kullanmadan önce, üzerindeki uyarı işaretlerini ve talimatı okuyun.

## Semboller

Ekipmanı için kullanılabilecek semboller aşağıda gösterilmiştir. Kullanmadan önce anlamlarını anladığınızdan emin olun.



El kitabını okuyun.



TEHLİKE - Elleri bıçaktan uzak tutun.



Güvenlik gözlüğü takın.



Ni-MH  
Li-ion

Sadece AB ülkeleri için  
Ekipmanda tehlikeli bileşenler bulunduğundan dolayı atık elektrikli ve elektronik ekipmanlar, aküler ve bataryalar çevre ve insan sağlığı üzerinde olumsuz etkiye yol açabilir.  
Elektrikli ve elektronik cihazları veya bataryaları evsel atıklarla birlikte atmayın!  
Atık elektrikli ve elektronik ekipmanlar ile akümülatörler ve bataryalar hakkındaki Avrupa Direktifi ve söz konusu direktifin ulusal yasalara uyarlanması gereğince atık elektrikli ekipmanlar, bataryalar ve akümülatörler ayrı olarak depolanmalı ve çevre koruma hakkındaki mevzuata uygun olarak faaliyet gösteren ayrı bir kentsel atık toplama noktasına teslim edilmelidir.  
Bu husus, ekipmanın üzerine yerleştirilmiş üzerinde çarpı işareti bulunan tekerlekli çöp kovası simgesi ile belirtilmiştir.

## Kullanım amacı

Bu alet çit budamak için tasarlanmıştır.

## Gürültü

Geçerli standart : EN62841-4-2

Model	Ses basıncı seviyesi		Ses gücü seviyesi	
	L <sub>pA</sub> (dB(A))	Belirsizlik K (dB(A))	L <sub>WA</sub> (dB(A))	Belirsizlik K (dB(A))
UH013G	80	3	91	3
UH014G	81	3	92	3

**NOT:** Beyan edilen gürültü emisyonu değer(ler)i bir standart test yöntemine uygun şekilde ölçülmüştür ve bir aleti bir başkasıyla karşılaştırmak için kullanılabilir.

**NOT:** Beyan edilen gürültü emisyonu değer(ler)i bir ön maruz kalma değerlendirmesi olarak da kullanılabilir.

**UYARI:** Kulak koruyucuları takın.

**UYARI:** Elektrikli aletin gerçek kullanımı sırasındaki gürültü emisyonu, aletin kullanım biçimlerine, özellikle işlenen iş parçasının türüne bağlı olarak beyan edilen değer(ler)den farklı olabilir.

**UYARI:** Gerçek kullanım koşullarındaki tahmini maruziyeti baz alan, operatörü koruyacak güvenlik önlemlerini mutlaka belirleyin (çalışma döngüsü içerisinde aletin kapalı olduğu ve aktif durumda olmasının yanı sıra boşta çalıştığı zamanlar gibi, bütün zaman dilimleri göz önünde bulundurarak).

## Titreşim

Titreşim toplam değeri (üç eksenli vektör toplamı) (EN62841-4-2 standardına göre hesaplanan):

Model	Ön kol		Arka kol	
	ah (m/s <sup>2</sup> )	Belirsizlik K (m/s <sup>2</sup> )	ah (m/s <sup>2</sup> )	Belirsizlik K (m/s <sup>2</sup> )
UH013G	2,5	1,5	2,5 m/s <sup>2</sup> den az	1,5
UH014G	3,2	1,5	2,5 m/s <sup>2</sup> den az	1,5

**NOT:** Beyan edilen titreşim toplam değer(ler)i bir standart test yöntemine uygun şekilde ölçülmüştür ve bir aleti bir başkasıyla karşılaştırmak için kullanılabilir.

**NOT:** Beyan edilen titreşim toplam değer(ler)i bir ön maruz kalma değerlendirmesi olarak da kullanılabilir.

**UYARI:** Elektrikli aletin gerçek kullanımı sırasındaki titreşim emisyonu, aletin kullanım biçimlerine, özellikle işlenen iş parçasının türüne bağlı olarak beyan edilen değer(ler)den farklı olabilir.

**UYARI:** Gerçek kullanım koşullarındaki tahmini maruziyeti baz alan, operatörü koruyacak güvenlik önlemlerini mutlaka belirleyin (çalışma döngüsü içerisinde aletin kapalı olduğu ve aktif durumda olmasının yanı sıra boşta çalıştığı zamanlar gibi, bütün zaman dilimleri göz önünde bulundurarak).

## EC Uygunluk Beyanı

*Sadece Avrupa ülkeleri için*

EC uygunluk beyanı bu kullanım kılavuzuna Ek A olarak eklenmiştir.

## GÜVENLİK UYARILARI

### Genel elektrikli alet güvenliği uyarıları

**UYARI:** Bu elektrikli aletle birlikte sunulan tüm güvenlik uyarılarını, talimatları, çizimleri ve teknik özellikleri okuyun. Aşağıda verilen talimatlara uyulmaması elektrik şoku, yangın ve/veya ciddi yaralanmalar ile sonuçlanabilir.

## Tüm uyarıları ve talimatları ile-ride başvurmak için saklayın.

Uyarılardaki "elektrikli alet" terimi ile ya prizden çalışan (kordonlu) elektrikli aletiniz ya da kendi aküsü ile çalışan (kordonsuz) elektrikli aletiniz kastedilmektedir.

## Akülü Çit Budama Güvenlik Uyarıları

- Vücudunuzun tüm kısımlarını bıçaktan uzak tutun. Bıçaklar hareket halindeyken kesilen malzemeyi çıkarmaya ve kesilecek malzemeyi tutmaya çalışmayın.** Anahtar kapatıldıktan sonra bıçaklar hareket etmeye devam eder. Çit budamayı kullanırken bir anlık dikkatsizlik ciddi bir yaralanmayla sonuçlanabilir.
- Çit budamayı, bıçak durmuş halde ve hiçbir güç anahtarını kullanmamaya dikkat ederek koldan tutarak taşıyın.** Çit budamanın doğru bir şekilde taşınması, istemsiz başlatma ve bunun sonucunda bıçaklardan kaynaklanan yaralanma riskini azaltır.

3. **Çit budamayı naklederken veya saklarken bıçak şeklini daima takın.** Çit budamanın doğru bir şekilde kullanılması, bıçaklardan kaynaklanan yaralanma riskini azaltır.
4. **Sıkışan maddeleri çıkarırken veya üniteye bakım yaparken tüm güç anahtarlarının kapalı ve batarya takımının çıkarılmış veya ayrılmış olduğundan emin olun.** Sıkışan maddeleri çıkarırken veya üniteye bakım yaparken çit budamanın beklenmedik şekilde çalışmaya başlaması ciddi yaralanmalara neden olabilir.
5. **Bıçak gizli kablolara temas edebileceği için, çit budamayı sadece yatılımlı kavrama yüzeylerinden tutun.** Bıçakların "akımlı" bir telle temas etmesi çit budamanın yatılımsız metal kısımlarını "akımlı" hale getirebilir ve kullanıcıyı elektrik şokuna maruz bırakabilir.
6. **Tüm elektrik kablolarını kesim alanından uzak tutun.** Elektrik kabloları çitlere veya çallara saklanabilir ve bıçak tarafından yanlışlıkla kesilebilir.
7. **Özellikle yıldırım düşmesi riski olan kötü hava koşullarında çit budamayı kullanmayın.** Bu şekilde yıldırım çarpma riskini azaltabilirsiniz.
5. **Aleti gereksiz yere yüksüz çalıştırmayın.**
6. **Keski bıçakları, tel örgüye ya da sert bir nesneye temas ederse aleti hemen kapatın ve batarya kartuşunu çıkarın.** Bıçaklara zarar gelip gelmediğini kontrol edin ve zarar gelmişse bıçakları hemen değiştirin.
7. **Keski bıçaklarını kontrol etmeden, arızalarla ilgilenmeden ya da keski bıçaklarına takılan maddeyi çıkarmadan önce daima aleti kapatın ve batarya kartuşunu çıkarın.**
8. **Keski bıçaklarının asla kendinize veya başkalarına doğrultmayın.**
9. **Çalışma sırasında bıçakların arasına yabancı maddelerin sıkışmasından dolayı bıçaklar hareket etmeyi keserse aleti kapatın ve batarya kartuşunu çıkarın, ardından yabancı maddeleri pense, vb. kullanılarak çıkarın.** Yabancı maddelerin elle çıkarılması, yabancı maddeleri çıkarmaya tepki olarak bıçaklar hareket edebileceğinden dolayı yaralanmaya neden olabilir.
10. **Aleti çamurlu zeminde, ıslak yamaçlarda veya kaygan yerlerde kullanırken dengenize dikkat edin.**
11. **Aleti su birikintisine sokmayın.**
12. **Aleti dışarıda yağmur altında gözetimsiz bırakmayın.**

## İlave Güvenlik Talimatları

### Hazırlık

1. **Aleti çalıştırmadan önce çitleri ve çalılıkları, tel örgü veya gizli kablo gibi yabancı maddelere karşı kontrol edin.**
2. **Alet, çocuklar ve 18 yaşın altındaki gençler tarafından kullanılmamalıdır.** 16 yaşın üzerindeki gençler, bir uzmanın gözetiminde eğitim alıyorsa bu kısıtlamadan muaf tutulabilirler.
3. **Aleti ilk kez kullanacak olanlar, nasıl kullanılacaklarını gösteren deneyimli bir kullanıcıdan yardım almalıdır.**
4. **Aleti sadece fiziksel durumunuz uygunsa kullanın.** Yorgunsanız dikkatiniz azalır. Özellikle çalışma gününün son saatlerinde dikkatli olun. Tüm işlerinizi sakın ve dikkatli bir şekilde yürütün. Üçüncü taraflar üzerinde meydana gelebilecek tüm zararlardan kullanıcı sorumludur.
5. **Aleti alkol, uyuşturucu ya da ilaçların etkisi altındayken asla kullanmayın.**
6. **Dayanıklı deriden yapılmış iş eldivenleri aletin temel ekipmanının parçasıdır ve aletle çalışırken daima giyilmelidir.** Daima kaymaz tabanlı sağlam ayakkabılar giyin.
7. **İşe başlamadan önce, aletin iyi ve güvenli bir şekilde çalışır durumda olduğundan emin olun.** Siperlerin yerine düzgün bir şekilde takıldığınından emin olun. Alet, tam olarak monte edilmediği durumlarda kullanılmamalıdır.

### Çalıştırma

1. **Aleti kullanırken her iki elinizle sıkıca tutun.**
2. **Alet, operatör tarafından zemin seviyesinde kullanılacak şekilde tasarlanmıştır.** Aleti merdiven veya başka her türlü dengesiz destek üzerinde kullanmayın.
3. **TEHLİKE - Ellerinizi bıçaktan uzak tutun.** Bıçağa temas edilmesi ciddi yaralanmaya neden olur.
4. **Çalışmaya başlamadan önce, yere sağlam bastığınızdan emin olun.**

### Elektrik ve batarya güvenliği

1. **Tehlikeli ortamlardan kaçının.** Aleti nemli ya da ıslak yerlerde kullanmayın ve yağmura maruz bırakmayın. Aletin içine su girmesi elektrik çarpması riskini arttıracaktır.
2. **Bataryayı/bataryaları ateşe atmayın.** Batarya hücresi patlayabilir. Bertaraf etmeye ilişkin özel talimatlar için yerel yönetmelikleri kontrol edin.
3. **Batarya/bataryaları açmayın ya da batarya(lar) üzerinde değişiklik yapmayın.** Ortaya çıkan elektrolit aşındırıcıdır ve gözlere ya da cilde zarar verebilir. Yutulduğu takdirde zehirli olabilir.
4. **Bataryayı yağmurda veya ıslak yerlerde şarj etmeyin.**
5. **Bataryayı açık alanda şarj etmeyin.**
6. **Şarj aleti fişi ve şarj aleti terminaleri dahil şarj aletine ıslak ellerle dokunmayın.**
7. **Bataryayı ıslak ellerle değiştirmeyin.**
8. **Bataryayı yağmurda değiştirmeyin.**
9. **Batarya bağlantı uçlarını su gibi sıvılarla ıslatmayın ya da bataryayı sıvılara sokmayın.** Bataryayı yağmurda bırakmayın veya bataryayı nemli ya da ıslak yerlerde şarj etmeyin, kullanmayın veya depolamayın. Bağlantı uçları ıslanır veya bataryanın içine sıvı girerse batarya kısa devre olabilir ve aşırı ısınma, yangın veya patlama riski ortaya çıkar.
10. **Bataryayı alet veya şarj aletinden çıkardıktan sonra mutlaka bataryaya batarya kapağını takın ve kuru bir yerde depolayın.**
11. **Batarya kartuşu ıslanırsa içinden suyu boşaltın ve ardından kuru bir bezle silin.** Kullanmadan önce batarya kartuşunu kuru bir yerde tamamen kurulaştırın.

### Bakım ve saklama

1. **Herhangi bir bakım işlemi yapmadan önce aleti kapatın ve batarya kartuşunu çıkarın.**

2. Aleti başka bir konuma taşımadan önce ve çalışma sırasında, daima batarya kartuşunu çıkarın ve keski bıçaklarına bıçak kılıfı takın. Bıçaklar çalışırken aleti kesinlikle taşımayın ya da nakletmeyin. Bıçakları asla elinizle kavramayın.
3. Kullanımın ardından ve aleti uzun bir süre boyunca saklayacağınız zaman, aleti ve özellikle keski bıçaklarını temizleyin. Bıçakları hafifçe yağlayın ve bıçak kılıfını takın.
4. Aleti bıçak kılıfı takılı olarak, kuru bir odada saklayın. Çocukların ulaşamayacağı yerlerde saklayın. Aleti asla dışarıda saklamayın.
5. Bataryayı/bataryaları ateşe atmayın. Batarya hücresi patlayabilir. Bertaraf etmeye ilişkin olası özel talimatlar için yerel yönetmelikleri kontrol edin.
6. Batarya/bataryaları açmayın ya da batarya(lar) üzerinde değişiklik yapmayın. Ortaya çıkan elektrolit aşındırıcıdır ve gözle ya da cilde zarar verebilir. Yutulduğu takdirde zehirli olabilir.
7. Bataryayı yağmurda veya ıslak yerlerde şarj etmeyin.
8. Aleti depolarken doğrudan güneş ışığı ve yağmurdan sakının, ısınmayacak veya nemlenmeyecek bir yerde depolayın.
6. Aleti ve batarya kartuşunu sıcaklığın 50 °C ya da daha yükseğe ulaştığı yerlerde saklamayın ve kullanmayın.
7. Aşırı derecede hasar görmüş ya da tamamen kullanılamaz durumda olsa bile batarya kartuşunu yakmayın. Batarya kartuşu ateşe atılırsa patlayabilir.
8. Batarya kartuşunu çivilemeyin, kesmeyin, ezmeyin, fırlatmayın, düşürmeyin ya da batarya kartuşuna sert bir nesne ile vurmayın. Bu eylemler yangın, aşırı ısı veya patlamaya neden olabilir.
9. Hasarlı bataryayı kullanmayın.
10. Aletin içerdiği lityum-iyon bataryalar Tehlikeli Eşyalar Yönetmeliğinin gereksinimlerine tabidir. Ticari nakliye işlemleri için, örneğin üçüncü taraflar, nakliye acenteleri tarafından yapılan nakliyelerde, paketleme ve etiketleme gereksinimlerine uyulmalıdır. Nakliyesi yapılacak ürünün hazırlanması için, tehlikeli maddeler konusunda uzman bir kişiye danışın. Lütfen muhtemelen daha ayrıntılı olan ulusal yönetmeliklere de uyun. Açık kontakları bantlayın ya da maskeleyin ve bataryayı paketin içinde hareket etmeyecek şekilde paketleyin.
11. Batarya kartuşunu bertaraf ederken aletten çıkarın ve güvenli bir yerde bertaraf edin. Bataryanın bertaraf edilmesi ile ilgili yerel düzenlemelere uyunuz.
12. Bataryaları sadece Makita tarafından belirtilen ürünlerle kullanın. Bataryaların uyumsuz ürünlere takılması; yangın, aşırı ısınma, patlama ya da elektrolit sızıntısına neden olabilir.
13. Alet uzun süre kullanılmayacaksa batarya aletten çıkarılmalıdır.
14. Kullanma sırasında ve sonrasında batarya kartuşu ısınarak yanıklara veya düşük sıcaklık yanıklarına yol açabilir. Sıcak batarya kartuşları ile işlem yaparken dikkat edin.
15. Yanıklara neden olabilecek kadar sıcak olabileceğinden kullandıktan hemen sonra aletin terminaline dokunmayın.
16. Batarya kartuşunun terminalerine, deliklerine ve kanallarına mıcır, toz veya toprak girmesine izin vermeyin. Aletin veya batarya kartuşunun ısınmasına, alev almasına, patlamasına ve arızalanmasına neden olarak yanıklara veya yaralanmaya yol açabilir.
17. Alet yüksek gerilim elektrik güç hatları yakınında kullanımı desteklemediği sürece batarya kartuşunu yüksek gerilim elektrik güç hatlarının yakınında kullanmayın. Aletin veya batarya kartuşunun arızalanmasına veya bozulmasına neden olabilir.
18. Bataryayı çocuklardan uzak tutun.

## BU TALİMATLARI SAKLAYIN.

**⚠UYARI:** Ürünü kullanırken (defalarca kullanınca kazanılan) rahatlık ve tanıdıklık duygusunun ilgili ürünün güvenlik kurallarına sıkı sıkıya bağlı kalmanızı yerine geçmesine İZİN VERMEYİN. YANLIŞ KULLANIM veya bu kullanma kılavuzunda belirtilen emniyet kurallarına uymama ciddi yaralanmaya neden olabilir.

## Batarya kartuşu hakkında önemli güvenlik talimatları

1. Batarya kartuşunu kullanmadan önce, tüm talimatları ve (1) batarya kartuşu, (2) batarya ve (3) ürün üzerindeki tüm uyarı işaretlerini okuyun.
2. Batarya kartuşunu parçalarına ayırmayın veya kurcalamayın. Yangın, aşırı ısı veya patlamaya neden olabilir.
3. Çalışma süresi aşırı derecede kısalmışsa kullanmayı derhal bırakın. Aşırı ısınma, yanma riski hatta patlamaya neden olabilir.
4. Gözünüze elektrolit kaçarsa, gözlerinizi temiz suyla durulayın ve hemen tıbbi yardım alın. Görme kaybına yol açabilir.
5. Batarya kartuşuna kısa devre yaptırmayın:
  - (1) Terminallere herhangi bir iletken madde değdirmeyin.
  - (2) Batarya kartuşunu çiviler, madeni paralar, vb. gibi başka metal nesnelere aynı kaba koymaktan kaçının.
  - (3) Batarya kartuşunu yağmura ya da suya maruz bırakmayın.
 Kısa devre, büyük bir akım akışına, aşırı ısınmaya, olası yanıklara hatta bataryanın bozulmasına yol açabilir.

## BU TALİMATLARI MUHAFAZA EDİNİZ.

**⚠DİKKAT:** Sadece orijinal Makita bataryalarını kullanın. Orijinal olmayan Makita bataryaları ya da üzerine değişiklik yapılmış bataryaların kullanımı bataryanın patlamasına ve sonuç olarak yangın, kişisel yaralanma ve hasara neden olabilir. Ayrıca Makita aleti ve şarj aletinin Makita tarafından sunulan garantisini geçersiz olur.

## Maksimum batarya ömrü için ipuçları

1. Batarya kartuşunu tamamen boşalmadan önce şarj edin. Aletin gücünün zayıflamaya başladığını fark ettiğinizde aleti durdurun ve batarya kartuşunu şarj edin.
2. Tam dolu bir batarya kartuşunu asla yeniden şarj etmeyin. Aşırı şarj etme bataryanın hizmet ömrünü kısaltır.
3. Batarya kartuşunu 10 °C - 40 °C oda sıcaklığında şarj edin. Sıcak bir batarya kartuşunu şarj etmeden önce soğumasını bekleyin.
4. Batarya kartuşunu kullanırken aletten veya şarj aletinden çıkarın.
5. Uzun bir süre (altı aydan daha fazla) kullanmadığınız durumlarda batarya kartuşunu şarj edin.

## İŞLEVSEL NİTELİKLER

**⚠ DİKKAT:** Alet üzerinde ayarlama veya işleyiş kontrolü yapmadan önce aletin kapalı ve batarya kartuşunun ayrılmış olduğundan daima emin olun.

### Batarya kartuşunun takılması ve çıkarılması

**⚠ DİKKAT:** Batarya kartuşunu takmadan ya da çıkarmadan önce aleti daima kapatın.

**⚠ DİKKAT:** Batarya kartuşunu takarken veya çıkarırken aleti ve batarya kartuşunu sıkıca tutun. Aletin ve batarya kartuşunun sıkıca tutulmaması bunların düşürülmesine sebep olabilir ve alet ve batarya kartuşunun zarar görmesine ya da ciddi yaralanmasına yol açabilir.

- **Şek.1:** 1. Kırmızı gösterge 2. Düğme 3. Batarya kartuşu

Batarya kartuşunu çıkarmak için, kartuşun ön tarafındaki düğmeyi kaydırarak kartuşu aletten çıkarın.

Batarya kartuşunu takmak için, batarya kartuşu üzerindeki dili yuvanın oluşu ile hizalayın ve kartuşu yerine oturtun. Kartuşu, küçük bir tık sesi ile yerine sabitlenene dek sonuna kadar itin. Şekilde gösterildiği gibi kırmızı göstergeyi görebiliyorsanız tam olarak kilitlenmemiştir demektir.

**⚠ DİKKAT:** Batarya kartuşunu daima kırmızı gösterge görünmeyecek şekilde tam olarak takın. Yerine tam oturmazsa, aletten yanlışlıkla düşebilir, sizin ya da çevrenizdeki kişilerin yaralanmasına neden olabilir.

**⚠ DİKKAT:** Batarya kartuşunu zorlayarak takmayın. Kartuş kolay bir şekilde kaymıyorsa doğru yerleştirilmemiştir demektir.

## Kalan batarya kapasitesinin gösterilmesi

Kalan batarya kapasitesini göstermesi için batarya kartuşu üzerindeki kontrol düğmesine basın. Gösterge lambaları birkaç saniye yanar.

- **Şek.2:** 1. Gösterge lambaları 2. Kontrol düğmesi

Gösterge lambaları			Kalan kapasite
Yanıyor	Kapalı	Yanıp sönüyor	
■	□	▮	%75 ila %100
■ ■ ■ ■			
■ ■ ■ □			%50 ila %75
■ ■ □ □			%25 ila %50
■ □ □ □			%0 ila %25
▮ □ □ □			Bataryayı şarj edin.
■ ■ □ □			Batarya arızalanmış olabilir.
□ □ ■ ■			

**NOT:** Kullanım koşullarına ve ortam sıcaklığına bağlı olarak, gösterilen değer gerçek kapasiteden biraz farklılık gösterebilir.

**NOT:** İlk (en soldaki) gösterge lambası, batarya koruma sistemi çalıştığından yanıp söner.

## Alet/batarya koruma sistemi

Bu alet bir alet/batarya koruma sistemi ile donatılmıştır. Bu sistem motora giden gücü otomatik olarak keserek uzun alet ve batarya ömrü sağlar. Alet için aşağıdaki durumlardan biri söz konusu olduğunda aletin işleyişi otomatik olarak durur:

- **Şek.3:** 1. İkaz lambası

Renk	İkaz lambası		Durum
	● Açık	● Yanıp sönüyor	
Yeşil		●	Aşırı yüklenme
Kırmızı	● (alet) / ● (batarya)		Aşırı ısınma
Kırmızı		●	Aşırı boşaltma

**ÖNEMLİ NOT:** Kullanım koşullarına bağlı olarak, alete dallar veya birikintiler takılırsa hiçbir bildirimde bulunmadan alet otomatik olarak durur. Bu durumda aleti kapatın ve batarya kartuşunu çıkarın, ardından takılan dalları veya birikintileri pense vb. kullanarak çıkarın. Dalları veya birikintileri çıkardıktan sonra batarya kartuşunu takın ve aleti yeniden açın.

## Aşırı yük koruması

Alet veya batarya, takılan dallar ya da başka çer çöp nedeniyle aşırı yüklenirse alet otomatik olarak durur ve ikaz lambası yeşil yanıp sönmeye başlar. Bu durumda, aleti kapatın ve aletin aşırı yüklenmesine neden olan durum uygulamayı durdurun. Daha sonra aleti yeniden başlaması için çalıştırın.

## Alet veya batarya için aşırı ısınma koruması

Alet veya batarya kartuşu aşırı ısınırsa alet otomatik olarak durur. Alet aşırı ısındığında ikaz lambası kırmızı yanar. Batarya kartuşu aşırı ısındığında ikaz lambası kırmızı yanıp söner. Aleti yeniden çalıştırmadan önce aletin ve/veya bataryanın soğumasını sağlayın.

## Aşırı deşarj koruması

Batarya kapasitesi azaldığında alet otomatik olarak durur ve ikaz lambası kırmızı renkte yanıp sönmeye başlar. Anahtarlar kullanıldığında bile alet çalışmazsa batarya kartuşunu aletten çıkarıp şarj edin.

## Diğer nedenlere karşı korumalar

Koruma sistemi, alete zarar verebilecek diğer nedenler için de tasarlanmıştır ve aletin otomatik olarak durmasını sağlar. Alet çalışırken geçici duraklama veya durma yaparsa nedenleri ortadan kaldırmak için aşağıdaki tüm adımları uygulayın.

1. Aleti kapatın ve ardından tekrar açarak yeniden çalıştırın.
2. Bataryaları şarj edin veya şarjlı bataryalarla değiştirin.
3. Makinenin ve bataryaların soğumasını bekleyin.

Koruma sistemi eski haline getirilerek ilerleme kaydedilemezse yerel Makita Servis Merkezimize başvurun.

## Güç düğmesinin işleyişi

**⚠UYARI:** Güvenliğiniz için, bu alet istem dışı başlatmayı önleyen bir mandal ile donatılmıştır. Alet, mandala basmadan sadece anahtar tetiği çekerek çalışıyorsa ASLA kullanmayın. Daha fazla kullanmadan ÖNCE aleti uygun onarım için yetkili servis merkezimize getirin.

**⚠UYARI:** Mandalı ASLA basılı durumda bantlamayın veya amacını ve işlevini boşa çıkarmayın.

**⚠UYARI:** Batarya kartuşunu alete takmadan önce anahtar tetiklerin ve mandalın düzgün çalıştığını ve bırakıldığında “Kapalı” konuma döndüklerini görmek için mutlaka kontrol edin. Aletin düzgün çalışmayan bir anahtarla kullanılması kontrol kaybına ve ciddi yaralanmaya neden olabilir.

**⚠DİKKAT:** Taşıma sırasında parmağınızı asla anahtar tetiklerin üzerine koymayın. Alet kazara çalışabilir ve yaralanmalara neden olabilir.

**ÖNEMLİ NOT:** Mandala basmadan anahtar tetiği zorlayarak çekmeyin. Bu, anahtarın kırılmasına neden olabilir.

Aleti açmak için ana güç düğmesine basın. Aleti kapatmak için ana güç düğmesine basın ve hız göstergeleri sönenek dek basılı tutun.

► **Şek.4:** 1. Ana güç düğmesi

**NOT:** Çalıştırılmaz koşullar altında anahtar tetik çekilirse ikaz lambası yanıp söner. Mandalı ve anahtar tetiği basılı tutarken ana güç düğmesi açılırsa ikaz lambası yanıp söner.

**NOT:** Bu alet otomatik güç kapama fonksiyonu kullanır. Yanlışlıkla çalışmaları engellemek için ana güç düğmesi açıldıktan sonra belirli bir süre boyunca anahtar tetik çekilmezse ana güç düğmesi otomatik olarak kapanır.










Anahtar tetiğin kazara çekilmesini engellemek için bir mandal sağlanmıştır. Aleti başlatmak için ön anahtar tetiği çekin ve ardından mandala basarken arka anahtar tetiği çekin. Anahtar tetiklerden herhangi birini bıraktığınızda alet durur.

► **Şek.5:** 1. Mandal 2. Arka anahtar tetik 3. Ön anahtar tetik

## Hız ayarlama

Ana güç düğmesine basarak alet hızını ayarlayabilirsiniz. Ana güç düğmesine her bastığınızda, hız seviyesi değişir.

► **Şek.6:** 1. Hız göstergesi 2. Ana güç düğmesi

Hız göstergesi	Mod	Hareket hızı
3  2  1 	Yüksek	5.000 min <sup>-1</sup>
3  2  1 	Orta	3.600 min <sup>-1</sup>
3  2  1 	Düşük	2.000 min <sup>-1</sup>

## Birikintilerin giderilmesi için ters dönüş düğmesi

**⚠UYARI:** Takılan dallar veya birikintiler ters hareket fonksiyonu ile çıkarılmazsa aleti kapatın ve batarya kartuşunu çıkarın, ardından takılan dalları veya birikintileri pense, vb. kullanarak çıkarın. Aletin kapatılmaması ve batarya kartuşunun çıkarılmaması kazara çalışma sonucu ciddi yaralanmaya neden olabilir. Takılan dalların veya birikintilerin elle çıkarılması, çıkarmaya tepki olarak keski bıçakları hareket edebileceğinden yaralanmaya neden olabilir.

Bu alette, keski bıçaklarının hareket yönünü değiştirmek için bir yön değiştirme düğmesi mevcuttur. Sadece alete takılan dalları ve birikintileri çıkarmak için kullanılır. Keski bıçaklarının hareket yönünü değiştirmek için keski bıçakları durduğunda yön değiştirme düğmesine basın, daha sonra ön anahtar tetiği çekin ve ardından mandala basarken arka anahtar tetiği çekin. Hız göstergeleri yanıp sönmeye başlar ve keski bıçakları ters yönde hareket eder. Takılan dallar veya birikintiler çıkarıldığında alet normal harekete geri döner ve hız göstergeleri yanıp sönmeyi keserek yanar.

► **Şek.7:** 1. Hız göstergesi 2. Ters dönüş düğmesi

**NOT:** Takılan dallar veya birikintiler çıkarılamazsa anahtar tetikleri bırakın, ardından çıkarılana kadar yön değiştirme düğmesine basın ve daha sonra anahtar tetikleri çekin.

**NOT:** Keski bıçakları hala hareket halindeyken yön değiştirme düğmesine basarsanız alet durur ve ters hareket için hazır hale gelir.

## Elektronik fonksiyon

Alet, kolay kullanım için elektronik fonksiyonlarla donatılmıştır.

- Sabit hız kontrolü  
Hız kontrol fonksiyonu, yük koşullarından bağımsız olarak sabit devir hızı sağlar.
- Elektrikli fren  
Bu alet bir elektrikli fren ile donatılmıştır. Alet, anahtar tetik bırakıldıktan sonra sürekli olarak keski bıçaklarını çabucak durduramıyorsa alete Makita Yetkili Servis Merkezinde bakım yaptırın.
- İstemsiz yeniden başlatma önleyici işlev  
Batarya kartuşunu anahtar tetiği çekerken taksanız bile alet çalışmaz. Aleti başlatmak için önce anahtar tetiği bırakın ve ardından anahtar tetiği çekin.

## MONTAJ

**⚠DİKKAT:** Alet üzerinde herhangi bir iş yapmadan önce aletin kapalı ve batarya kartuşunun ayrılmış olduğundan daima emin olun.

**⚠DİKKAT:** Keski bıçaklarını değiştirirken ellerinizin bıçaklarla doğrudan temas etmemesi için daima eldiven kullanın.

**ÖNEMLİ NOT:** Keski bıçaklarını değiştirirken dişli ve krank bölümlerindeki gresi silmeyin.

## Keski bıçaklarının takılması veya çıkarılması

**⚠DİKKAT:** Keski bıçaklarını takmadan veya çıkarmadan önce bıçak kılıfını takın.

Aletinize 600 mm veya 750 mm keski bıçakları takabilirsiniz.

**NOT:** Keski bıçaklarını farklı uzunlukta bıçaklarla değiştirirseniz talaş yakalayıcıyı, bıçaklara uygun bir talaş yakalayıcı ile değiştirin.

1. Dört vidayı (UH013G için) veya beş vidayı (UH014G için) sökün ve ardından talaş yakalayıcıyı aletten çıkarın.

**UH013G için**

► **Şek.8:** 1. Talaş yakalayıcı 2. Vida

**UH014G için**

► **Şek.9:** 1. Talaş yakalayıcı 2. Vida

2. Aleti ters şekilde yerleştirin ve ardından altı civatayı çıkarın.

► **Şek.10:** 1. Civata

3. Kapağı ve plakayı çıkarın.

► **Şek.11:** 1. Kapak 2. Plaka

**NOT:** Plaka kapakta kalabilir.

4. Rotu ve rulmanı çıkarın.

► **Şek.12:** 1. Rot 2. Rulman

**NOT:** Rot veya rulman kapakta kalabilir.

5. Üç vida, üç manşon ve keçe tamponunu çıkarın ve ardından keski bıçaklarını çıkarın.

► **Şek.13:** 1. Vida 2. Manşon 3. Keçe tamponu  
4. Keski bıçakları

**ÖNEMLİ NOT:** Vidaları kaybetmemeye dikkat edin.

6. Bıçak kılıfını çıkarın ve ardından yeni keski bıçaklarına takın.

► **Şek.14**

7. İki delik, hizalama çizgisinde aynı hizaya gelecek şekilde krankı ayarlayın.

► **Şek.15:** 1. Delik 2. Hizalama çizgisi

8. Keski bıçaklarının üzerindeki çıkıntıları dikey olarak aynı konumda hizalayın.

► **Şek.16:** 1. Çıkıntı

9. Keski bıçaklarını geçici olarak sabitlemek için adım 5'te çıkarılan vidayı bıçak kılıfı ve keski bıçaklarının üzerindeki deliklere sokun ve ardından keçe tamponunu keski bıçaklarına takın.

► **Şek.17:** 1. Vida 2. Keçe tamponu 3. Delik

10. Keski bıçaklarının üzerindeki çıkıntıyı rotun üzerindeki deliğe sokun, ardından keçe tamponunun konumunu aletin üzerindeki deliklerle hizalayın. İki yeni manşon takın.

► **Şek.18:** 1. Keçe tamponu 2. Çıkıntı 3. Delik  
4. Manşon

**ÖNEMLİ NOT:** Rot deliğinin iç çevresine az bir miktar gres yağı sürün.

**ÖNEMLİ NOT:** Manşonları kaybetmemeye dikkat edin.

11. Manşonlar ve keski bıçaklarının üzerindeki delikleri aletin üzerindeki deliklerle hizalayın ve ardından iki vidayı sıkarak keski bıçaklarını geçici olarak sabitleyin.

► **Şek.19:** 1. Vida

12. Adım 9'da keski bıçaklarının üzerindeki deliğe sokulan vidayı çıkarın ve ardından bıçak kılıfını kaydırın.

► **Şek.20:** 1. Vida



13. Yeni bir manşon takın.

► **Şek.21:** 1. Manşon

14. Vidayı manşon ile birlikte sıkarak keski bıçaklarını sabitleyin.

► **Şek.22:** 1. Vida

15. Adım 11'de geçici olarak sabitlenen vidaları iyice sıkın.

16. Rulman ve rotu takın.

► **Şek.23:** 1. Rot 2. Küçük delik 3. Rulman

**ÖNEMLİ NOT:** Rotun küçük deliğinin iç çevresine az bir miktar gres yağı sürün.

**ÖNEMLİ NOT:** Keski bıçaklarının üzerindeki çıkıntının rotun küçük deliğine oturduğundan emin olun.

17. Plakayı takın.

► **Şek.24:** 1. Çıkıntı 2. Plaka

**ÖNEMLİ NOT:** Keski bıçaklarının üzerindeki çıkıntının plaka üzerindeki deliğe oturduğundan emin olun.

18. Kapağı takın ve ardından altı civatayı sıkın.

► **Şek.25:** 1. Civata 2. Kapak

19. Dört vidayı (UH013G için) veya beş vidayı (UH014G için) sıkarak talaş yakalayıcıyı alete takın.

**UH013G için**

► **Şek.26:** 1. Talaş yakalayıcı 2. Vida

**UH014G için**

► **Şek.27:** 1. Talaş yakalayıcı 2. Vida

**ÖNEMLİ NOT:** Keski bıçakları akıcı hareket etmezse keski bıçakları rotlara düzgün geçmez. Keski bıçaklarını tekrar takın.

**ÖNEMLİ NOT:** Keski bıçakları dışında rotlar gibi parçalar yıpranırsa parça değişimi ve onarım için Makita yetkili servis merkezlerine başvurun.

## Talaş yakalayıcının çıkarılması veya takılması

**⚠ DİKKAT:** Talaş yakalayıcıyı takarken veya çıkarırken ellerinizin keski bıçaklarıyla doğrudan temas etmemesi için daima eldiven kullanın.

Talaş yakalayıcı atık yaprakları toplayarak işiniz bittikten sonra temizlik yapmayı kolaylaştırır.

Talaş yakalayıcıyı çıkarmak için dört vidayı (UH013G için) veya beş vidayı (UH014G için) sökün ve ardından talaş yakalayıcıyı aletten çıkarın. Talaş yakalayıcıyı takmak için, çıkarma işlemlerini tersinden uygulayın.

**UH013G için**

► **Şek.28:** 1. Talaş yakalayıcı 2. Vida

**UH014G için**

► **Şek.29:** 1. Talaş yakalayıcı 2. Vida

## KULLANIM

**⚠ UYARI:** Ellerinizi keski bıçaklarından uzak tutun.

**⚠ DİKKAT:** Mümkünse, aleti çok sıcak havalarda kullanmaktan kaçının. Aleti kullanırken fiziksel durumunuza dikkat edin.

**⚠ DİKKAT:** Budama sırasında metal bir çite ya da başka sert nesnelere temas etmemeye dikkat edin. Keski bıçakları kırılabilir ve yaralanmaya neden olabilir.

**⚠ DİKKAT:** Keski bıçaklarının yere temas etmesine izin vermeyin. Alet geri tepebilir ve yaralanmaya neden olabilir.

**⚠ DİKKAT:** Bir çit budama aletini normalde uzanamayacağınız bir yükseklik için kullanmaya çalışmak, özellikle de merdivene çıkıp kullanmaya çalışmak, aşırı derecede tehlikelidir. Sallanan veya zayıf bir zemin üzerinde dururken çalışmayın.

**ÖNEMLİ NOT:** Aletle, çapı 10 mm'den daha kalın dalları kesmeye çalışmayın. Aleti kullanmadan önce, dal budayıcı kullanılarak dalları kesim yüksekliğinden 10 cm aşağıda olacak şekilde kesin.

► **Şek.30:** (1) Kesim yüksekliği (2) 10 cm

**ÖNEMLİ NOT:** Ölü ağaçları veya benzer sert nesnelere kesmeyin. Aksi takdirde alete hasar verebilirsiniz.

**ÖNEMLİ NOT:** Keski bıçaklarını kullanırken çimlere ya da yabancı otları biçmeyin. Keski bıçakları çime ya da yabancı otlara dolanabilir.

Ön kavrama kolunu sağ elinizle, arka kavrama kolunu sol elinizle tutun. Ön anahtar tetiği çekin, ardından mandala basarken arka anahtar tetiği çekin ve daha sonra aleti ileri doğru hareket ettirin.

► **Şek.31**

Temel çalışma için, keski bıçaklarını kesim yönünde eğin ve metre başına 3 ila 4 saniyelik bir hızla sakın ve yavaş bir biçimde hareket ettirin.

► **Şek.32**

Çitin üstünü eşit şekilde kesmek için istenilen yükseklikte bir ip gerin ve ip boyunca budayın.

► **Şek.33**

Talaş yakalayıcı atık yaprakları toplayarak işiniz bittikten sonra temizlik yapmayı kolaylaştırır.

► **Şek.34**

Çitin yan kısmını düzgün bir şekilde kesmek için aşağıdan yukarı doğru kesin.

► **Şek.35**

Yuvarlak bir şekil elde etmek için budama yapılırken (şimşir veya orman gülü ve benzerinin budanması sırasında) iyi bir sonuç elde etmek için aşağıdan yukarıya doğru budama yapın.

► **Şek.36**

## BAKIM

**⚠ DİKKAT:** Muayene ya da bakım yapmadan önce aletin kapalı ve batarya kartuşunun çıkartılmış olduğundan daima emin olun.

Aleti EMNİYETLİ ve ÇALIŞMAYA HAZIR durumda tutmak için onarımlar, başka her türlü bakım ve ayarlamalar daima Makita yedek parçaları kullanılarak Makita yetkili servis merkezleri veya Fabrikanın Servis Merkezleri tarafından yapılmalıdır.

### Aletin temizlenmesi

Alet gövdesini kuru bir bezle veya sabunlu suya batırılıp sıkılmış bir bezle temizleyin.

**ÖNEMLİ NOT:** Benzin, tiner, alkol ve benzeri maddeleri kesinlikle kullanmayın. Renk değişimi, deformasyon veya çatlaklar oluşabilir.

### Keski bıçağı bakımı

Çalışmadan önce veya çalışma sırasında saatte bir kez, keski bıçaklarına düşük viskoziteli yağ (makine yağı ya da sprey şeklinde yağ) uygulayın.

► **Şek.37**

Çalışmanın ardından, keski bıçaklarındaki tozları tel fırça ile giderin, bir bezle silin ve keski bıçaklarına düşük viskoziteli yağ (makine yağı veya sprey şeklinde yağ) uygulayın.

► **Şek.38**

**ÖNEMLİ NOT:** Keski bıçaklarını suda yıkamayın. Bunu yapmak paslanmaya ya da alete zarar gelmesine neden olabilir.

**ÖNEMLİ NOT:** Kir ve korozyon bıçaklarda aşırı sürtünmeye neden olabilir ve bir seferlik batarya sarjıyla çalışılabilen süreyi kısaltır.

### Saklama

Aletin alt kısmındaki kanca deliği aleti bir çivi ya da vida kullanarak duvara asmak için kullanışlıdır.

Batarya kartuşunu aletten çıkarın ve ardından bıçak kılıfını bıçaklar örtülecek şekilde keski bıçaklarına takın. Aleti çocukların erişemeyeceği bir yerde saklayın. Aleti neme ya da yağmura maruz kalmayan bir yerde saklayın.

► **Şek.39:** 1. Delik

## Keski bıçaklarının bilenmesi

**ÖNEMLİ NOT:** Keski bıçakları bileme nedeniyle kayda değer ölçüde deformasyon olursa keski bıçaklarını yenileriyle değiştirin.

1. Batarya kartuşunu alete takın.
2. Aleti açın ve üst bıçak ile alt bıçak dönüşümlü olarak konumlanacak şekilde çalıştırın.  
► **Şek.40**
3. Aletini kapatın ve batarya kartuşunu aletten çıkarın.
4. Eğe açısını 45°'ye ayarlayın ve üst bıçağı eğe ile 3 yönden bileyin.  
► **Şek.41:** (1) Eğe (2) 45°

**⚠ DİKKAT:** Keski bıçaklarını bilemeden önce aletin kapalı olduğundan ve batarya kartuşunun aletten çıkarıldığından emin olun.

5. Aleti ters şekilde yerleştirin ve ardından keski bıçaklarındaki pürüzleri bileme taşı ile temizleyin.  
► **Şek.42:** 1. Bileme taşı
6. Eğe açısını 45°'ye ayarlayın ve alt bıçağı eğe ile 3 yönden bileyin.
7. Aleti normal konuma getirin ve ardından keski bıçaklarındaki pürüzleri bileme taşı ile temizleyin.

### Gres yağlaması

**Yağlama aralığı:** Her 50 çalışma saatinde bir

1. Yağlama için civatayı delikten çıkarın.  
► **Şek.43:** 1. Civata
2. Gres kabının kapağını açın. Gres kabının ağzını kapak üzerindeki delikle hizalayın ve ardından gres kabının ağzını deliğe bastırın.  
► **Şek.44:** 1. Gres kabı 2. Delik
3. Alete gres uygulayın (kural olarak yaklaşık 5 g).
4. Civatayı sıkın.

# SORUN GİDERME

Onarım için servise gitmeden önce kontrolleri yapın. Kılavuzda açıklanmayan bir problemle karşılaşırsanız aleti demonte etmeyin. Bunun yerine, Makita Yetkili Servis Merkezlerine başvurun ve daima orijinal Makita yedek parçaları kullanın.

Anormal durum	Olası nedeni (arıza)	Çözümü
Motor çalışmıyor.	Batarya kartuşu takılı değil.	Batarya kartuşunu takın.
	Batarya sorunu (voltaj yetersiz)	Bataryayı şarj edin. Şarj etmek işe yaramıyorsa, bataryayı değiştirin.
	Sürüş sistemi doğru işlemiyor.	Yerel yetkili servis merkezinizden tamir etmelerini isteyin.
Kısa bir kullanımdan sonra motor duruyor.	Bataryanın şarj seviyesi düşük.	Bataryayı şarj edin. Şarj etmek işe yaramıyorsa, bataryayı değiştirin.
	Aşırı ısınma.	Aleti kullanmayı durdurun ve soğumasını bekleyin.
Alet maksimum devre ulaşmıyor.	Batarya düzgün takılmamış.	Batarya kartuşunu bu kılavuzda açıklandığı gibi takın.
	Batarya gücü düşüyor.	Bataryayı şarj edin. Şarj etmek işe yaramıyorsa, bataryayı değiştirin.
	Sürüş sistemi doğru işlemiyor.	Yerel yetkili servis merkezinizden tamir etmelerini isteyin.
Keski bıçakları hareket etmiyor: ⇒ makineyi hemen durdurun!	Keski bıçaklarının arasına yabancı madde takılmış.	1. Yön değiştirme düğmesini kullanın. 2. Aleti kapatın ve batarya kartuşunu çıkarın, ardından yabancı maddeleri pense, vb. kullanarak çıkarın.
	Sürüş sistemi doğru işlemiyor.	Yerel yetkili servis merkezinizden tamir etmelerini isteyin.
Olağan dışı titreşim: ⇒ makineyi hemen durdurun!	Keski bıçakları kırık, eğik veya aşınmış.	Keski bıçaklarını değiştirin.
	Sürüş sistemi doğru işlemiyor.	Yerel yetkili servis merkezinizden tamir etmelerini isteyin.
Keski bıçakları ve motor durmuyor: ⇒ Bataryayı hemen çıkarın!	Elektrik arızası.	Bataryayı çıkarın ve yerel yetkili servis merkezinizden tamir etmelerini isteyin.

## İSTEĞE BAĞLI AKSESUARLAR

**⚠ DİKKAT:** Bu aksesuarlar ve ek parçalar bu el kitabında belirtilen Makita aletiniz ile kullanılmak için tavsiye edilmektedir. Herhangi başka bir aksesuar ya da ek parça kullanılması insanlar için bir yaralanma riski getirebilir. Aksesuarları ya da ek parçaları yalnızca belirtilmiş olan kullanım amaçlarına uygun olarak kullanın.

Bu aksesuarlarla ilgili daha fazla bilgiye ihtiyaç duyarsanız bulunduğunuz yerdeki yetkili Makita servisine başvurun.

- Keski bıçağı takımı
- Talaş yakalayıcı
- Gres kabı
- Orijinal Makita batarya ve şarj aleti

**NOT:** Listedeki parçaların bazıları alet paketi içerisinde standart aksesuar olarak dahil edilmiş olabilir. Bunlar ülkeden ülkeye farklılık gösterebilir.

**Makita Europe N.V.** Jan-Baptist Vinkstraat 2,  
3070 Kortenberg, Belgium

**Makita Corporation** 3-11-8, Sumiyoshi-cho,  
Anjo, Aichi 446-8502 Japan

[www.makita.com](http://www.makita.com)

885918-991 EN, FR, DE, IT, NL, ES, PT, DA, EL, TR 20210804
---

## ENGLISH

### Annex A: EC Declaration of Conformity

We as the manufacturers: **Makita Europe N.V.**, Business address: **Jan-Baptist Vinkstraat 2, 3070 Kortenberg, BELGIUM**. Authorize **Hiroshi Tsujimura** for the compilation of the technical file and declare under our sole responsibility that the product(s); Designation: **Cordless Hedge Trimmer**. Designation of Type(s): **UH013G, UH014G**. Fulfills all the relevant provisions of **2006/42/EC** and also fulfills all the relevant provisions of the following EC/EU Directives: **2014/30/EU, 2011/65/EU, 2000/14/EC**. and are manufactured in accordance with the following Harmonised Standards: **EN 62841-1:2015, EN 62841-4-2:2019, EN IEC 55014-1:2021, EN IEC 55014-2:2021, EN IEC 63000:2018**.

The conformity assessment procedure required by Directive **2000/14/EC** was in accordance with Annex V.

#### Model UH013G

- Measured Sound Power Level: **90,5 dB(A)**
- Guaranteed Sound Power Level: **93 dB(A)**

#### Model UH014G

- Measured Sound Power Level: **91,3 dB(A)**
- Guaranteed Sound Power Level: **93 dB(A)**

Place of declaration: **Kortenberg, Belgium**. Responsible person: **Hiroshi Tsujimura, Director - Makita Europe N.V.** (date and signature on the last page)

## FRANÇAIS

### Annexe A : Déclaration de conformité CE

Nous, **Makita Europe N.V.**, en tant que fabricant, ayant pour adresse o mmerciale : **Jan-Baptist Vinkstraat 2, 3070 Kortenberg, Belgique**, autorisons **Hiroshi Tsujimura** à compiler le fichier technique et déclarons sous notre entière responsabilité que le produit ; désignation : **Taille-haie sans fil**, désignation du (des) type(s) : **UH013G, UH014G**. Respecte(nt) toutes les dispositions pertinentes de la directive **2006/42/CE** ainsi que celles des directives CE/UE suivantes : **2014/30/EU, 2011/65/EU, 2000/14/EC**, et est (sont) fabriqué(s) conformément aux normes harmonisées suivantes : **EN 62841-1:2015, EN 62841-4-2:2019, EN IEC 55014-1:2021, EN IEC 55014-2:2021, EN IEC 63000:2018**.

La procédure d'évaluation de la conformité requise par la Directive **2000/14/CE** a été réalisée en conformité avec l'Annexe V.

#### Modèle UH013G

- Niveau de puissance acoustique mesuré : **90,5 dB(A)**
- Niveau de puissance acoustique garanti : **93 dB(A)**

#### Modèle UH014G

- Niveau de puissance acoustique mesuré : **91,3 dB(A)**
- Niveau de puissance acoustique garanti : **93 dB(A)**

Lieu de la déclaration : **Kortenberg, Belgique**. Responsable : **Hiroshi Tsujimura, Directeur - Makita Europe N.V.** (date et signature sur la dernière page)

## DEUTSCH

### Anhang A: EG-Konformitätserklärung

Wir als die Hersteller: **Makita Europe N.V.**, Geschäftsadresse: **Jan-Baptist Vinkstraat 2, 3070 Kortenberg, Belgien**. beauftragen **Hiroshi Tsujimura** mit der Zusammenstellung der technischen Dokumentation und erklären unter unserer alleinigen Verantwortung, dass das (die) Produkt(e); Bezeichnung: **Akku-Heckenschere**. Bezeichnung des (der) Typs (Typen): **UH013G, UH014G**. Erfüllt alle relevanten Vorschriften von **2006/42/EG** sowie alle relevanten Vorschriften der folgenden EG/EU-Richtlinien: **2014/30/EU, 2011/65/EU, 2000/14/EC** und werden gemäß den folgenden harmonisierten Normen gefertigt: **EN 62841-1:2015, EN 62841-4-2:2019, EN IEC 55014-1:2021, EN IEC 55014-2:2021, EN IEC 63000:2018**.

Das Verfahren der Richtlinie **2000/14/EC** geforderte Konformitätsbewertungsverfahren war in Übereinstimmung

mit Anhang V.

#### Modell UH013G

- Gemessener Schallleistungspegel: **90,5 dB(A)**
- Garantierter Schallleistungspegel: **93 dB(A)**

#### Modell UH014G

- Gemessener Schallleistungspegel: **91,3 dB(A)**
- Garantierter Schallleistungspegel: **93 dB(A)**

Ort der Erklärung: **Kortenberg, Belgien**. Verantwortlich e Person: **Hiroshi Tsujimura, Direktor - Makita Europe N.V.** (Datum und Unterschrift auf der letzten Seite)

## ITALIANO

### Allegato A: Dichiarazione di conformità CE

In qualità di fabbricante, **Makita Europe N.V.**, o n indirizzo aziendale **Jan-Baptist Vinkstraat 2, 3070 Kortenberg, Belgio**, autorizza **Hiroshi Tsujimura** alla compilazione della documentazione tecnica e dichiara, sotto la propria ed esclusiva responsabilità, che il prodotto o i prodotti con designazione **Tagliasiepi a batteria**, e o n designazione del tipo o dei tipi: **UH013G, UH014G**, è conforme a tutte le disposizioni rilevanti della normativa **2006/42/EC**, e che è, inoltre, o nforme a tutte le disposizioni rilevanti delle Direttive CE/UE seguenti, **2014/30/EU, 2011/65/EU, 2000/14/EC**, ed è fabbricato in conformità agli Standard Armonizzati seguenti, **EN 62841-1:2015, EN 62841-4-2:2019, EN IEC 55014-1:2021, EN IEC 55014-2:2021, EN IEC 63000:2018**.

La procedura di determinazione della conformità richiesta dalla Direttiva **2000/14/EC** è stata eseguita conformemente all'Allegato V.

#### Modello UH013G

- Livello di potenza sonora misurato: **90,5 dB(A)**
- Livello di potenza sonora garantito: **93 dB(A)**

#### Modello UH014G

- Livello di potenza sonora misurato: **91,3 dB(A)**
- Livello di potenza sonora garantito: **93 dB(A)**

Luogo della dichiarazione: **Kortenberg, Belgio**. Persona responsabile: **Hiroshi Tsujimura, Direttore - Makita Europe N.V.** (data e firma sull'ultima pagina)

## NEDERLANDS

### Aanhangsel A: EG-verklaring van conformiteit

Wij als de fabrikant: **Makita Europe N.V.**, v stigningsadres: **Jan-Baptist Vinkstraat 2, 3070 Kortenberg, België**, v mbatigen **Hiroshi Tsujimura** tot samenstelling v n het technische dossier en v rklaren als enige v rantwoordelijke dat het product (en), omsb rrijg n: **Accuheggenschere**; typenummer(s): **UH013G, UH014G**; v ldoet aan alle relevante v orsb rften v n rib tlijn **2006/42/EG** en v ldoet tevens aan de relevante v orsb rften v n de v lgende EG/EU-rib tlijnen: **2014/30/EU, 2011/65/EU, 2000/14/EC** en is v rvaardigd in v ooreenstemming met de v lgende geharmoniseerde normen: **EN 62841-1:2015, EN 62841-4-2:2019, EN IEC 55014-1:2021, EN IEC 55014-2:2021, EN IEC 63000:2018**.

De conformiteitsbeoordelingsprocedure vereist door Richtlijn **2000/14/EC** was in v ooreenstemming met Aanhangsel V.

#### Model UH013G

- Gemeten geluidsv rmogenie au: **90,5 dB(A)**
- Gearandeerd geluidsv rmogenie au: **93 dB(A)**

#### Model UH014G

- Gemeten geluidsv rmogenie au: **91,3 dB(A)**
- Gearandeerd geluidsv rmogenie au: **93 dB(A)**

Plaats v n v rklaring: **Kortenberg, België**. Verantwoordelijke persoon: **Hiroshi Tsujimura, Directeur - Makita Europe N.V.** (datum en handtekening op de laatste pagina)

## ESPAÑOL

### Anexo A: Declaración CE de conformidad

Nosotros como los fabricantes: **Makita Europe N.V.**, Dirección o mercial: **Jan-Baptist Vinkstraat 2, 3070**

**Kortenber, BÉlgica.** Autorizã mos a **Hiroshi Tsujimura** para la compilaci3n del archivo t3cnico y declaramos ante nuestra sola responsabilidad que el(los) producto(s); Designaci3n: **Cortasetos Inalãmbrico.** Designaci3n de tipo(s): **UH013G, UH014G.** Cumple todas las provisi3nes pertinentes de **2006/42/EC** y tambi3n cumple con todas las provisi3nes pertinentes de las Directivas CE/UE siguientes: **2014/30/EU, 2011/65/EU, 2000/14/EC** y est3 fabricado de acuerdo con los est3ndares unificados siguientes: **EN 62841-1:2015, EN 62841-4-2:2019, EN IEC 55014-1:2021, EN IEC 55014-2:2021, EN IEC 63000:2018.**

El procedimiento de valoraci3n de conformidad requerido por la Directiva **2000/14/EC** ha sido realizado de acuerdo con el Anexo V.

#### Modelo UH013G

• Nive l de potenciã de sonido medido: **90,5 dB(A)**

• Nive l de potenciã de sonido garantida do: **93 dB(A)**

#### Modelo UH014G

• Nive l de potenciã de sonido medido: **91,3 dB(A)**

• Nive l de potenciã de sonido garantida do: **93 dB(A)**

Lugar de la declaraci3n: **Kortenber, BÉlgica.** Persona responsable: **Hiroshi Tsujimura, Director – Makita Europe N.V.** (fecha y firma en la última p3gina)

• Garantet lydeeffektniveau: **93 dB(A)**

#### Model UH014G

• Målt lydeffektniveau: **91,3 dB(A)**

• Garantet lydeffektniveau: **93 dB(A)**

Sted for erklæring: **Kortenber, Belgien.** Ansvarlig person: **Hiroshi Tsujimura, Direktør – Makita Europe N.V.** (dato og underskrift på den sidste side)

## ΕΛΛΗΝΙΚΑ

### Παράρτημα Α: Δήλωση Συμμόρφωσης ΕΚ

Εμείς ως οι κατασκευαστές: **Makita Europe N.V.,** Διευθύνση επιχείρησης: **Jan-Baptist Vinkstraat 2, 3070 Kortenber, Βέlgια.** Εξουσιοδοτούμε τον **Hiroshi Tsujimura** για τη σύνταξη του τεχνικού αρχείου και δηλώνουμε, υπό την αποκλειστική ευθύνη μας, ότι το(α) προϊόν(τα), Χαρακτηρισμός: **Φορητό ψαλίδι μορνοτούρας.** Χαρακτηρισμός τύπου(ων): **UH013G, UH014G.** Ικανοποιεί όλες τις σχετικές διατάξεις της Οδηγίας **2006/42/EC** και επίσης ικανοποιεί όλες τις σχετικές διατάξεις των ακόλουθων Οδηγιών ΕΚ/ΕΕ: **2014/30/ΕΕ, 2011/65/ΕΕ, 2000/14/ΕΕ** και κατασκευάζεται σύμφωνα με τα ακόλουθα εναρμονισμένα πρότυπα: **EN 62841-1:2015, EN 62841-4-2:2019, EN IEC 55014-1:2021, EN IEC 55014-2:2021, EN IEC 63000:2018.**

Η διαδικασία αξιολόγησης της συμμόρφωσης που απαιτείται σύμφωνα με την Οδηγία **2000/14/EC** ήταν σε συμφωνία με το Παράρτημα V.

#### Μοντέλο UH013G

• Μετρούμενη στάθμη ηχητικής ισχύος: **90,5 dB(A)**

• Εγγυημένη στάθμη ηχητικής ισχύος: **93 dB(A)**

#### Μοντέλο UH014G

• Μετρούμενη στάθμη ηχητικής ισχύος: **91,3 dB(A)**

• Εγγυημένη στάθμη ηχητικής ισχύος: **93 dB(A)**

Τόπος της δήλωσης: **Kortenber, Βέlgια.** Υπεύθυνος: **Hiroshi Tsujimura, Διευθυντής – Makita Europe N.V.** (ημερομηνία και υπογραφή στην τελευταία σελίδα)

## TÜRKÇE

### Ek A: AT Uygunluk Beyanı

Üretici olarak biz, iş adresi **Jan-Baptist Vinkstraat 2, 3070 Kortenber, Belçica** olan **Makita Europe N.V.**; **Hiroshi Tsujimura**'yı teknik dosyanın hazırlanması için yetkilendiriyor ve tek sorumlu olarak Ürün Adı: **Akülü Çit Budama** Model adı: **UH013G, UH014G** olan ürünün/ürünlerin **2006/42/EC** nin ilgili tüm hükümlerinin gerekliliklerini yerine getirdiğini, ayrıca **2014/30/EU, 2011/65/EU, 2000/14/EC** AT/AB Direktiflerinin ilgili tüm hükümlerinin gerekliliklerini yerine getirdiğini ve **EN 62841-1:2015, EN 62841-4-2:2019, EN IEC 55014-1:2021, EN IEC 55014-2:2021, EN IEC 63000:2018** Eşdeğer Standartlarına uygun olarak ürettiğini beyan ediyoruz. **2000/14/EC** Direktifinin gerektirdiği uygunluk değerlendirme prosedürü, **Ek V**'e uygundur.

#### UH013G modeli

• Ölçülen ses güç seviyesi: **90,5 dB(A)**

• Beklenen ses güç seviyesi: **93 dB(A)**

#### UH014G modeli

• Ölçülen ses güç seviyesi: **91,3 dB(A)**

• Beklenen ses güç seviyesi: **93 dB(A)**

Beyan yeri: **Kortenber, Belçica.** Sorumlu kişi: **Hiroshi Tsujimura, Müdür – Makita Europe N.V.** (tarih e imza son sayfada bulunmaktadır)

## SVENSKA

### Bilaga A: EG-försäkran om överensstämmelse

I egenskap av tillverkare: **Makita Europe N.V.**, med företagsadress **Jan-Baptist Vinkstraat 2, 3070 Kortenber, Belgien**, auktoriserar vi **Hiroshi Tsujimura** för sammanställningen av den tekniska dokumentationen och försäkrar under ansvar att produkten (eller produkterna) – Beteckning: **Batteridrivna häcksax.** Typbeteckning: **UH013G, UH014G.** – uppfyller alla relevanta

## PORTUGUÊS

### Anexo A: Declaração de conformidade da CE

A empresa, na qualidade de fabricante: **Makita Europe N.V.,** Endereço o mercãdo: **Jan-Baptist Vinkstraat 2, 3070 Kortenber, BÉlgica.** Autorizã mos **Hiroshi Tsujimura** a realizar a compilaci3n do ficheiro t3cnico e declaramos, ao abrigo da nossa própria responsabilidade, que o(s) produto(s); Designaçã o: **Aparador De Cerca Viva a Bateria.** Designaçã o de tipo(s): **UH013G, UH014G.** Cumpre todas as indicaç3es releãntes da **2006/42/EC**, o mprindo ainda todas as indicaç3es releãntes das seguintes Directivas CE/UE: **2014/30/EU, 2011/65/EU, 2000/14/EC** e são fabricados de acordo com as seguintes Normas Harmonia das: **EN 62841-1:2015, EN 62841-4-2:2019, EN IEC 55014-1:2021, EN IEC 55014-2:2021, EN IEC 63000:2018.**

O procedimento de avaliação da conformidade exigido pela Directiva **2000/14/EC** estãa o nforme o anexo V.

#### Modelo UH013G

• Nive l de potênciã a sonora medido: **90,5 dB(A)**

• Nive l de potênciã a sonora garantido: **93 dB(A)**

#### Modelo UH014G

• Nive l de potênciã a sonora medido: **91,3 dB(A)**

• Nive l de potênciã a sonora garantido: **93 dB(A)**

Loãl da declaraçã o: **Kortenber, BÉlgica.** Pessoa responsável: **Hiroshi Tsujimura, Diretor – Makita Europe N.V.** (data e assinatura na última p3gina)

## DANSK

### Tillæg A: EF konformitetserklæring

Vi som producent: **Makita Europe N.V.,** Forretningsadresse: **Jan-Baptist Vinkstraat 2, 3070 Kortenber, Belgien,** autoriserer **Hiroshi Tsujimura** til kompilationen af den tekniske fil og erklærer, under vores eneansvar, at produktet (produkterne), Betegnelse: **Akku hækktrimmer.** Betegnelse for type (typer): **UH013G, UH014G,** opfylder alle de relevante betingelser for **2006/42/EC** og opfylder desuden alle de relevante betingelser i følgende EF/EU-direktiver: **2014/30/EU, 2011/65/EU, 2000/14/EC** og er fremstillet i overensstemmelse med de følgende harmoniserede standarder: **EN 62841-1:2015, EN 62841-4-2:2019, EN IEC 55014-1:2021, EN IEC 55014-2:2021, EN IEC 63000:2018.**

Fremgangsmåden for den konformitetsfastsættelse, som kræves i Direktiv **2000/14/EC**, er i overensstemmelse med tillæg V.

#### Model UH013G

• Målt lydeffektniveau: **90,5 dB(A)**

bestämmelser i 2006/42/EC och även uppfyller alla relevanta bestämmelser i följande EG/EU-direktiv: 2014/30/EU, 2011/65/EU, 2000/14/EC, samt är tillämplig i enlighet med följande harmoniserade standarder: EN 62841-1:2015, EN 62841-4-2:2019, EN IEC 55014-1:2021, EN IEC 55014-2:2021, EN IEC 63000:2018.

Förfarandet vid bedömning av överensstämmelse som krävs enligt direktiv 2000/14/EC i gjordes i enlighet med bilaga V.

#### Modell UH013G

- Uppmått ljudeffektnivå: 90,5 dB(A)
- Garanterad ljudeffektnivå: 93 dB(A)

#### Modell UH014G

- Uppmått ljudeffektnivå: 91,3 dB(A)
- Garanterad ljudeffektnivå: 93 dB(A)

Plats för givande av försäkran: **Kortenberg, Belgien.**  
Ansvarig person: **Hiroshi Tsujimura, Direktör – Makita Europe N.V.** (datum och underskrift på sista sidan)

## NORSK

### Tillegg A: EF-samsvarserklæring

Vi, som produsenter:

**Makita Europe N.V.**, Forretningsadresse: **Jan-Baptist Vinkstraat 2, 3070 Kortenberg, Belgia**

autoriserer **Hiroshi Tsujimura** til å kompilere den tekniske filen og erklærer under vårt eneansvar at produktet;

Betegnelse: **Batteridrevet hekktrimmer**

Modellbetegnelse: **UH013G, UH014G.** Oppfyller alle relevante bestemmelser i 2006/42/EC og oppfyller også alle bestemmelser i følgende EF/EU-direktiver: 2014/30/EU, 2011/65/EU, 2000/14/EC og er fremstilt i samsvar med følgende harmoniserte standarder: EN 62841-1:2015, EN 62841-4-2:2019, EN IEC 55014-1:2021, EN IEC 55014-2:2021, EN IEC 63000:2018.

Prosedyren for samsvarsvurdering, som kreves av direktiv 2000/14/EC, er i overensstemmelse med Tillegg V.

#### Modell UH013G

- Målt lydteffektnivå: 90,5 dB(A)
- Garantert lydteffektnivå: 93 dB(A)

#### Modell UH014G

- Målt lydteffektnivå: 91,3 dB(A)
- Garantert lydteffektnivå: 93 dB(A)

Sted for erklæring: **Kortenberg, Belgia.**

Ansvarlig: **Hiroshi Tsujimura, Direktør – Makita Europe N.V.** (dato og signatur på siste side)

## SUOMI

### Liite A: EY-vaatimusten mukaisuusvakuutus

Vastuullinen valmistaja: **Makita Europe N.V.**, yrityksen osoite: **Jan-Baptist Vinkstraat 2, 3070 Kortenberg, Belgia**, valtuuttaa **Hiroshi Tsujimuran** kokoamaan tekniset asiakirjat ja vakuuttaa omalla vastuullaan, että tuote (tuotteet); Laitteen nimi: **Akkukäyttöinen pensasleikkuri.** Laitteen tyyppi (tyypit): **UH013G, UH014G.** Täyttää kaikki direktiivin 2006/42/EC olennaiset vaatimukset sekä täyttää myös kaikki seuraavat EY/EU-direktiivien olennaiset vaatimukset: 2014/30/EU, 2011/65/EU, 2000/14/EC ja on valmistettu seuraavien yhdenmukaistettujen standardien: EN 62841-1:2015, EN 62841-4-2:2019, EN IEC 55014-1:2021, EN IEC 55014-2:2021, EN IEC 63000:2018.

Direktiivien 2000/14/EC vaatimusten mukaisuusmenettely on liitteen V mukainen.

#### Malli UH013G

- Mitattu äänitehotaso: 90,5 dB(A)
- Taattu äänitehotaso: 93 dB(A)

#### Malli UH014G

- Mitattu äänitehotaso: 91,3 dB(A)
- Taattu äänitehotaso: 93 dB(A)

Ilmoituksen antopaikka: **Kortenberg, Belgia.** Vastuuhenkilö: **Hiroshi Tsujimura, johtaja – Makita Europe N.V.** (pää määrä ja allekirjoitus viimeisellä sivulla)

## LATVIEŠU

### A pielikums: EK atbilstības deklarācija

Razotājs **Makita Europe N.V.**, juridiskā adrese: **Jan-Baptist Vinkstraat 2, 3070 Kortenberg, Belgija**, pilnā un savu pārstāvi **Hiroshi Tsujimura** sagatāvo tehnisko dokumentāciju un ar mūsu vienpersonisko atbildību paziņot, ka izstrādājums(-), nosaukums: **Bezdvzoga apgriezējmašīna, e idis(-): UH013G, UH014G,** atbilst visiem attiecīgiem direktīvas 2006/42/EC noteikumiem, kā arī atbilst visiem attiecīgiem šādu EK/ES direktīvu noteikumiem: 2014/30/EU, 2011/65/EU, 2000/14/EC, un ir ražots(-) saskaņā ar šādiem harmonizētajiem standartiem: EN 62841-1:2015, EN 62841-4-2:2019, EN IEC 55014-1:2021, EN IEC 55014-2:2021, EN IEC 63000:2018.

Direktīva 2000/14/EC noteiktā atbilstības novērtēšanas procedūra tika veikta saskaņā ar V pielikumu.

#### Modelis UH013G

- Novērtētais skaņas jaudas līmenis: 90,5 dB(A)
- Garantētais skaņas jaudas līmenis: 93 dB(A)

#### Modelis UH014G

- Novērtētais skaņas jaudas līmenis: 91,3 dB(A)
- Garantētais skaņas jaudas līmenis: 93 dB(A)

Deklarācijas izdošanas vieta: **Kortenberg, Belgija.** Atbildīgā persona: **Makita Europe N.V. direktors Hiroshi Tsujimura** (datumu un parakstu skatiet pēdējā lapā)

## LIETUVIŲ KALBA

### A priedas: EB atitikties deklaracija

Mes, gamintojai **Makita Europe N.V.**, įmonės adresas: **Jan-Baptist Vinkstraat 2, 3070 Kortenberg, Belgija**, įgaliojame **Hiroshi Tsujimura** parengti techninę bylą ir savo išskirtine atsakomybe deklaruojame, kad gaminys (-iai); Žymuo: **Akumuliatorinės gyvatvorių žirklys; Tipas (-ai): UH013G, UH014G.** Atitinka visus aktualius 2006/42/EC nuostatus ir taip pat toliau nurodytų EB/ES direktyvų nuostatus: 2014/30/EU, 2011/65/EU, 2000/14/EC; be to, pagaminta laikantis šių darniųjų standartų: EN 62841-1:2015, EN 62841-4-2:2019, EN IEC 55014-1:2021, EN IEC 55014-2:2021, EN IEC 63000:2018.

Atitikties įvertinimo procedūra pagal direktyvą 2000/14/EC atitinka V priedą.

#### Modelis UH013G

- Išmatuotasis garso galios lygis: 90,5 dB(A)
- Garantuotasis garso galios lygis: 93 dB(A)

#### Modelis UH014G

- Išmatuotasis garso galios lygis: 91,3 dB(A)
- Garantuotasis garso galios lygis: 93 dB(A)

Deklaravimo vieta: **Kortenberg, Belgija.** Atsakingasis asmuo: **Makita Europe N.V. direktorius Hiroshi Tsujimura** (data ir parašas pateikti paskutiniame puslapyje)

## EESTI

### Lisa A: EÜ vastavusdeklaratsioon

Meie kui tootjad: **Makita Europe N.V.**, juuriidiline aadress: **Jan-Baptist Vinkstraat 2, 3070 Kortenberg, Belgia**, õlitame **Hiroshi Tsujimura** koostama tehnilist toimikut ja kinnitame oma ainvastutusele, et toode/tooted; nimetus: **Juhtmeta hekilõikur; Tüübinimetus(ed): UH013G, UH014G;** vastab direktiivi 2006/42/EC kõigile asjaomastele sätetele ning EÜ/EL direktiivide 2014/30/EU, 2011/65/EU, 2000/14/EC kõigile asjaomastele sätetele ning on toodetud kooskõlas järgmistele ühtlustatud standardidele: EN 62841-1:2015, EN 62841-4-2:2019, EN IEC 55014-1:2021, EN IEC 55014-2:2021, EN IEC 63000:2018.

Vastavusele hindamise protseduur, mida nõuab direktiiv 2000/14/EC, teostati vastavalt liisa V nõuetele.

#### Mudel UH013G

- Mõõdetud heliõimsuse tase: 90,5 dB(A)
- Garanteeritud heliõimsuse tase: 93 dB(A)

#### Mudel UH014G

- Mõõdetud heliõ imsusese tase: **91,3 dB(A)**
  - Garanteeritud heliõ imsusese tase: **93 dB(A)**
- Dekleareerimiskohat: **Kortenber, Belgia**. Vastutav isik: **Hiroshi Tsujimura, direktor – Makita Europe N.V.** (kuupäev ja allkiri vi imasel leheküljel)

## POLSKI

### Aneks A: Deklaracja zgodności WE

My jako producent: **Makita Europe N.V.**, adres firmy: **Jan-Baptist Vinkstraat 2, 3070 Kortenberg, Belgia**. Upozważniamy pana **Hiroshi Tsujimura** do oprowania dokumentacji technicznej i wydania oświadczenia na naszą wyłączną odpowiedzialność, że produkt(y); Opis: **Akumulatorowe nożyce do żywoplotu**. Oznaczenie typu (typów): **UH013G, UH014G**. Spełniają wszelkie stosowne postanowienia dyrektywy **2006/42/EC** i dodatkowo spełniają wszelkie stosowne postanowienia poniższych dyrektyw **WE/UE: 2014/30/EU, 2011/65/EU, 2000/14/EC** i są produkowane zgodnie z następującymi normami zharmonizowanymi: **EN 62841-1:2015, EN 62841-4-2:2019, EN IEC 55014-1:2021, EN IEC 55014-2:2021, EN IEC 63000:2018**.

Procedura oceny zgodności wymagana przez Dyrektywę **2000/14/EC** została przeprowadzona zgodnie z aneksem V.

#### Model UH013G

- Mierzony poziom mocy akustycznej: **90,5 dB(A)**
- Gwarantowany poziom mocy akustycznej: **93 dB(A)**

#### Model UH014G

- Mierzony poziom mocy akustycznej: **91,3 dB(A)**
  - Gwarantowany poziom mocy akustycznej: **93 dB(A)**
- Miejsce złożenia deklaracji: **Kortenber, Belgia**. Osoba odpowiedzialna: **Hiroshi Tsujimura, Dyrektor Makita Europe N.V.** (data i podpis na ostatniej stronie)

## MAGYAR

### A. függelék: EK megfelelőségi nyilatkozat

Felelős gyártóként, a **Makita Europe N.V.**, székhely címe: **Jan-Baptist Vinkstraat 2, 3070 Kortenberg, Belgium**, feljogosítjuk **Hiroshi Tsujimura**t a műszaki dokumentáció összeállítására, és saját kizárólagos felelősségünkre kijelentjük, hogy a termék(ek); rendeltetése: **Akumulátoros sövénynyíró**; típusmegnevezése: **UH013G, UH014G**; megfelel a **2006/42/EC** irányelv minden vonatkozó rendelkezésének, továbbá megfelel az alábbi EK/EU irányelvek minden vonatkozó rendelkezésének: **2014/30/EU, 2011/65/EU, 2000/14/EC**, és gyártása az alábbi harmonizált szabványoknak: **EN 62841-1:2015, EN 62841-4-2:2019, EN IEC 55014-1:2021, EN IEC 55014-2:2021, EN IEC 63000:2018**.

A megfelelőségnek a **2000/14/EC** jelű irányelv szerinti megállapítását az **V. függelék** szerint végeztük.

#### UH013G típus

- Mért zajszint: **90,5 dB(A)**
- Garantált zajszint: **93 dB(A)**

#### UH014G típus

- Mért zajszint: **91,3 dB(A)**
- Garantált zajszint: **93 dB(A)**

A nyilatkozattétel helye: **Kortenber, Belgium**. Felelős személy: **Hiroshi Tsujimura, igazgató – Makita Europe N.V.** (datum és aláírás az utolsó lapon)

## SLOVENSKY

### Priloha A: Vyhlasenie o zhode v rámci ES

Naša spoločnosť, ako výrobca: **Makita Europe N.V.**, firemná adresa: **Jan-Baptist Vinkstraat 2, 3070 Kortenberg, Belgicko**. Týmto oprávňujeme **Hiroshi Tsujimura** na zostavenie technického súboru a vyhlasujeme na našu výhradnú zodpovednosť, že výrobok(ky); Označenie: **Akumulátorové nožnice na živé ploty**. Označenie typu(ov): **UH013G, UH014G**. Splňa všetky príslušné ustanovenia **2006/42/EC** a taktiež splňa všetky príslušné ustanovenia

nasledujúcich smerníc **ES/EÚ: 2014/30/EU, 2011/65/EU, 2000/14/EC**, pričom je vyrobená v súlade s nasledujúcimi harmonizovanými normami: **EN 62841-1:2015, EN 62841-4-2:2019, EN IEC 55014-1:2021, EN IEC 55014-2:2021, EN IEC 63000:2018**.

Proces stanovenia zhody vyžadovaný Smernicou **2000/14/EC** sa uskutočnil v súlade s **Prílohou V**.

#### Model UH013G

- Nameraná hladina akustického výkonu: **90,5 dB(A)**
- Zaručená hladina akustického výkonu: **93 dB(A)**

#### Model UH014G

- Nameraná hladina akustického výkonu: **91,3 dB(A)**
- Zaručená hladina akustického výkonu: **93 dB(A)**

Miesto vyhlásenia: **Kortenber, Belgicko**. Zodpovedná osoba: **Hiroshi Tsujimura, riaditeľ – Makita Europe N.V.** (datum a podpis sú uvedené na poslednej strane)

## ČESKY

### Přiloha A: ES prohlášení o shodě

My, jako výrobci: **Makita Europe N.V.**, Adresa firmy: **Jan-Baptist Vinkstraat 2, 3070 Kortenberg, Belgie**. Pověřujeme **Hiroshi Tsujimura** sestavením technické dokumentace a prohlašujeme na naši vlastní odpovědnost, že produkt(y); Označení: **Akumulátorový zastřihovač**. Typové označení: **UH013G, UH014G**. Splňuje veškerá příslušná ustanovení směrnice **2006/42/EC** a také splňuje všechna související ustanovení následujících směrnic **ES/EU: 2014/30/EU, 2011/65/EU, 2000/14/EC** a je vyroben v souladu s následujícími harmonizačními normami: **EN 62841-1:2015, EN 62841-4-2:2019, EN IEC 55014-1:2021, EN IEC 55014-2:2021, EN IEC 63000:2018**.

Postup posuzování shody vyžadovaný směrnicí **2000/14/EC** byl v souladu s **přílohou V**.

#### Model UH013G

- Naměřená hladina akustického výkonu: **90,5 dB(A)**
- Zaručená hladina akustického výkonu: **93 dB(A)**

#### Model UH014G

- Naměřená hladina akustického výkonu: **91,3 dB(A)**
- Zaručená hladina akustického výkonu: **93 dB(A)**

Místo prohlášení: **Kortenber, Belgie**. Odpovědná osoba: **Hiroshi Tsujimura, ředitel – Makita Europe N.V.** (datum a podpis na poslední straně)

## SLOVENSKO

### Priloga A: ES-izjava o skladnosti

Mi, podjetje: **Makita Europe N.V.**, poslovi naslov **Jan-Baptist Vinkstraat 2, 3070 Kortenberg, Belgija**. ko proizvajalec pooblaščamo g. **Hiroshi Tsujimura** a sestavo tehnične datoteke in na lastno odgovornost izjavljamo, da je id elek; oz aka: **Brezžični rezalniki za živo mejo** Oz aka v st(e): **UH013G, UH014G**. V skladu z se mi a dem imi določili **2006/42/EC** in ustreza zahtevam vseh bistvenih določil naslednjih Direktiv **ES/EU: 2014/30/EU, 2011/65/EU, 2000/14/EC** ter je id elan v skladu z naslednjimi harmoniziranimi standardi: **EN 62841-1:2015, EN 62841-4-2:2019, EN IEC 55014-1:2021, EN IEC 55014-2:2021, EN IEC 63000:2018**.

Postopek oe ne skladnosti, ki ga a htea Direktiva **2000/14/EC**, je bil izveden v skladu s **Prilogo V**.

#### Model UH013G

- Izmerjena raven zvočnega hrupa: **90,5 dB(A)**
- Zagotovljena raven zvočnega hrupa: **93 dB(A)**

#### Model UH014G

- Izmerjena raven zvočnega hrupa: **91,3 dB(A)**
- Zagotovljena raven zvočnega hrupa: **93 dB(A)**

Kraj izjave: **Kortenber, Belgija**. Odgovorna oseba: **Hiroshi Tsujimura, direktor – Makita Europe N.V.** (datum in podpis na a drnji strani)



## SHQP

### Shtojca A: Deklarata e konformitetit e KE-së

Ne, si kompania prodhuese: **Makita Europe N.V.**, me adresë biznesi: **Jan-Baptist Vinkstraat 2, 3070 Kortenberg, Belgjikë**, autorizim jëm **Hiroshi Tsujimura** për përpilimin e skedarit teknik dhe deklarim jëm së është përgjegjësia jonë e vetme se produkti(ët); Përkufizimi: **Prerës shkuresh me bateri**. Përa ktimi i illojt(ë): **UH013G, UH014G**, përmbush të gjitha dispozitat përkatëse të **2006/42/EC**, gjithashtu përmbush edhe të gjitha dispozitat përkatëse të direktivave të mëposhtme të KE-së/BE-së: **2014/30/EU, 2011/65/EU, 2000/14/EC** dhe prodhohen në përputhje me standardet e harmonizuar ara në vijim: **EN 62841-1:2015, EN 62841-4-2:2019, EN IEC 55014-1:2021, EN IEC 55014-2:2021, EN IEC 63000:2018**.

Procedura e vlerësimit të pajtueshmërisë që kërkohet nga Udhtës mi **2000/14/EC** që në pajtim me **Shtojcën V**.

#### Modelli UH013G

• Niveli i matur i fuqisë së zhurmsës: **90,5 dB(A)**

• Niveli i garantuar i fuqisë së zhurmsës: **93 dB(A)**

#### Modeli UH014G

• Niveli i matur i fuqisë së zhurmsës: **91,3 dB(A)**

• Niveli i garantuar i fuqisë së zhurmsës: **93 dB(A)**

Vendi i deklaratës: **Kortenberg, Belgjikë**. Personi përgjegjës: **Hiroshi Tsujimura, drejtor – Makita Europe N.V.** (data dhe firma në faqen e fundit)

## БЪЛГАРСКИ

### Анекс А: ЕО декларација за съответствие

В качеството си на производител ние: **Makita Europe N.V.**, с адрес на управление: **Jan-Baptist Vinkstraat 2, 3070 Kortenberg, Белгия**, упълномощаваме **Hiroshi Tsujimura** да състави техничкото досие и да декларира от наше име, че продукта(ите): Наименование: **Акумулаторен хросторез**. Модел: **UH013G, UH014G**. Отговаря(т) на съответните разпоредби на **2006/42/EC** и освен това отговаря(т) на съответните разпоредби на следните ЕО/ЕС директиви: **2014/30/EU, 2011/65/EU, 2000/14/EC** и се произвежда(т) в съответствие със следните хармонизирани стандарти: **EN 62841-1:2015, EN 62841-4-2:2019, EN IEC 55014-1:2021, EN IEC 55014-2:2021, EN IEC 63000:2018**.

Процедурата за оценка на съответствието, необходима по силата на Директива **2000/14/EC**, е в съответствие с **Анекс V**.

#### Модел UH013G

• Измерено ниво на акустична мощност: **90,5 dB(A)**

• Гарантирано ниво на акустична мощност: **93 dB(A)**

#### Модел UH014G

• Измерено ниво на акустична мощност: **91,3 dB(A)**

• Гарантирано ниво на акустична мощност: **93 dB(A)**

Място на издаване на декларацијата: **Kortenberg, Белгия**. Оторизирани лице: **Hiroshi Tsujimura, Директор – Makita Europe N.V.** (дата и подпис на последната страница)

## HRVATSKI

### Prilog A: EZ Izjava o sukladnosti

Mi kao proizvođači: **Makita Europe N.V.**, sa sjedištem u **Jan-Baptist Vinkstraat 2, 3070 Kortenberg, Belgija** ovlašćujemo **Hiroshija Tsujimuru** za sastavljanje tehničke datoteke i izjavljujemo pod vlastitom isključivom odgovornošću da je proiū d(i); Oū aka: **Bežični trimer za živicu**. Oū aka v ste(a): **UH013G, UH014G**. Zadoū ljaā se releū nte odredbe Direktive **2006/42/EC** i također zadovoljava sve relevantne odredbe sljedećih direktiva **EZ-a/EU-a: 2014/30/EU, 2011/65/EU, 2000/14/EC** i proiū di se u skladu sa sljedećim usklađenim normama: **EN 62841-1:2015, EN 62841-4-2:2019, EN IEC 55014-1:2021, EN IEC 55014-2:2021, EN IEC 63000:2018**.

Postupak o: ene sukladnosti koji a htijēa **Direktiva 2000/14/**

**EC** bio je u skladu s **Prilogom V**.

#### Model UH013G

• Izmjerena razina jačine zvuka: **90,5 dB(A)**

• Zajamčena razina jačine zvuka: **93 dB(A)**

#### Model UH014G

• Izmjerena razina jačine zvuka: **91,3 dB(A)**

• Zajamčena razina jačine zvuka: **93 dB(A)**

Mjesto davanja izjave: **Kortenberg, Belgija**. Odgov ma osoba: **Hiroshi Tsujimura, direktor – Makita Europe N.V.** (datum i potpis na 2 dnjoj stranici)

## МАКЕДОНСКИ

### Анекс А: Изјава за сообразност на ЕЗ

Ние, производителите: **Makita Europe N.V.**, со деловна адреса: **Jan-Baptist Vinkstraat 2, 3070 Kortenberg, Белгија**. Го овластуваме **Hiroshi Tsujimura** за составување на техничката датотека и изјавуваме под наша лична одговорност дека производит(-ите); Ознака: **Безжична фреза за жива ограда**. Ознака на тип(-ови): **UH013G, UH014G**. Ги исполнува сите релевантни одредби на **2006/42/EC** и исто така ги исполнува сите релевантни одредби на следните директиви на ЕЗ/ЕУ: **2014/30/EU, 2011/65/EU, 2000/14/EC** и се произведени во согласност со следниве усогласени стандарди: **EN 62841-1:2015, EN 62841-4-2:2019, EN IEC 55014-1:2021, EN IEC 55014-2:2021, EN IEC 63000:2018**.

Постапката за оценување на сообразноста што се бара согласно Директивата **2000/14/EC** е во согласност со **Анекс V**.

#### Модел UH013G

• Измерено ниво на звучна моќност: **90,5 dB(A)**

• Гарантирано ниво на звучна моќност: **93 dB(A)**

#### Модел UH014G

• Измерено ниво на звучна моќност: **91,3 dB(A)**

• Гарантирано ниво на звучна моќност: **93 dB(A)**

Место на давање на изјавата: **Kortenberg, Белгија**. Одговорно лице: **Hiroshi Tsujimura, Директор – Makita Europe N.V.** (datum и потпис на последната страница)

## ROMÂNĂ

### Anexa A: Declarație de conformitate CE

Noi, **Makita Europe N.V.**, a sediul sōcāl ũn: **Jan-Baptist Vinkstraat 2, 3070 Kortenberg, Belgia**, ũn a litate de producători, ũl ũmputernicim pe **Hiroshi Tsujimura** pentru redactarea fișierului tehnic și declarām pe proprie răspundere cā produsul (produsele): Denumire: **Mașină de tuns gardul viu fără cablu**. Denumirea modelului (modelelor): **UH013G, UH014G**. Respectā toate prevederile relevante ale directivei **2006/42/EC**; de asemenea, respectā toate prevederile relevante ale urmātoarelor directive **CE/UE: 2014/30/EU, 2011/65/EU, 2000/14/EC** și este fabricat ũn conformitate cu urmātoarele standarde armonizate: **EN 62841-1:2015, EN 62841-4-2:2019, EN IEC 55014-1:2021, EN IEC 55014-2:2021, EN IEC 63000:2018**.

Procedura de evaluare a conformitāții, solicitatā de directiva **2000/14/EC**, o respunde **anexei V**.

#### Modelul UH013G

• Nivel de putere acusticā māsurat: **90,5 dB(A)**

• Nivel de putere acusticā garantat: **93 dB(A)**

#### Modelul UH014G

• Nivel de putere acusticā māsurat: **91,3 dB(A)**

• Nivel de putere acusticā garantat: **93 dB(A)**

Locul declarației: **Kortenberg, Belgia**. Persoana responsabilā: **Hiroshi Tsujimura, Director – Makita Europe N.V.** (data și semnătura pe ultima paginā)

## СРПСКИ

### Додатак А: ЕЗ декларација о усаглашености

Ми као произвођач: **Makita Europe N.V.**, пословна адреса: **Jan-Baptist Vinkstraat 2, 3070 Kortenberg, Белгија**,

овлашћујемо **Hiroshi Tsujimura** да састави техничку документацију и под нашом искључивом одговорношћу издају да следећи производ: ознака: **Безични тример за живу ограду**. Ознака тип(ова): **UH013G, UH014G**. Испуњава све одговарајуће одредбе директиве **2006/42/EC** и све релевантне одредбе следећих директива ЕЗ/ЕУ: **2014/30/EU, 2011/65/EU, 2000/14/EC** и произведен је у складу са следећим хармонизованим стандардима: **EN 62841-1:2015, EN 62841-4-2:2019, EN IEC 55014-1:2021, EN IEC 55014-2:2021, EN IEC 63000:2018**.

Процедура процењивања усклађености према директиви **2000/14/EC** је била у складу са додатком **V**.

#### Модел UH013G

- Измерени ниво јачине звука: **90,5 dB(A)**
- Гарантовани ниво јачине звука: **93 dB(A)**

#### Модел UH014G

- Измерени ниво јачине звука: **91,3 dB(A)**
- Гарантовани ниво јачине звука: **93 dB(A)**

Место издаје: **Kortenberg, Белгија**. Одговорна особа: **Hiroshi Tsujimura, директор – Makita Europe N.V.** (датум и потпис се налазе на последњој страници)

болган.

#### Модел UH013G

- Өлшенген акустикалық қуат деңгейі: **90,5 dB(A)**
- Кепілдікті акустикалық қуат деңгейі: **93 dB(A)**

#### Модел UH014G

- Өлшенген акустикалық қуат деңгейі: **91,3 dB(A)**
- Кепілдікті акустикалық қуат деңгейі: **93 dB(A)**

Мәлімдеме жасалған жер: **Kortenberg, Бельгия**. Жауапты тұлға: **Hiroshi Tsujimura, Директор – Makita Europe N.V.** (күні мен қол соңғы бетке қойылған)

## УКРАЇНСЬКА

### Додаток А: Декларация по відповідності стандартам ЄС

Ми, як виробник: **Makita Europe N.V.**, адреса компанії: **Jan-Baptist Vinkstraat 2, 3070 Kortenberg, Бельгія**. Надаємо **Hiroshi Tsujimura**, уповноваженням складати технічну документацію і з повною відповідальністю заявляємо щодо виробу(ів) таке, Найменування: **Акумуляторна пила для підірвання живоплоту**. Визначення типу(ів): **UH013G, UH014G**. Відповідають усім відповідним положенням **2006/42/EC**, а також відповідають усім відповідним положенням таких директив ЄС/ЄС: **2014/30/EU, 2011/65/EU, 2000/14/EC** та виготовлені згідно таких єдиних стандартів: **EN 62841-1:2015, EN 62841-4-2:2019, EN IEC 55014-1:2021, EN IEC 55014-2:2021, EN IEC 63000:2018**.

Процедуру оцінки сумісності, що вимагається Директивою **2000/14/EC**, проведено відповідно до Додатка **V**.

#### Модел UH013G

- Вимірний рівень потужності звуку: **90,5 dB(A)**
- Гарантований рівень потужності звуку: **93 dB(A)**

#### Модел UH014G

- Вимірний рівень потужності звуку: **91,3 dB(A)**
- Гарантований рівень потужності звуку: **93 dB(A)**

Місце декларування: **Kortenberg, Бельгія**. Відповідальна особа: **Hiroshi Tsujimura, директор – Makita Europe N.V.** (дата і підпис на останній сторінці)

## 简体中文

### 附录A: EC一致性声明

我们作为制造商: **Makita Europe N.V.**, 营业地址: **Jan-Baptist Vinkstraat 2, 3070 Kortenberg, 比利时**。授权 **Hiroshi Tsujimura** 编译技术文件, 并在我们单独负责之下声明产品; 名称: **充电式绿篱机**。类型名称: **UH013G、UH014G**。满足2006/42/EC的所有相关条款, 并且也满足以下EC/EU指示的所有相关条款: **2014/30/EU、2011/65/EU、2000/14/EC**, 并根据以下协调标准制造: **EN 62841-1:2015、EN 62841-4-2:2019、EN IEC 55014-1:2021、EN IEC 55014-2:2021、EN IEC 63000:2018**。

2000/14/EC指示所需的符合性评估程序依照附录**V**。

#### 机型UH013G

- 测得的声功率级: **90.5 dB(A)**
- 保证的声功率级: **93 dB(A)**

#### 机型UH014G

- 测得的声功率级: **91.3 dB(A)**
- 保证的声功率级: **93 dB(A)**

声明地点: **Kortenberg, 比利时**。负责人: **Hiroshi Tsujimura, 总监 – Makita Europe N.V.** (日期和签名在最后一页上)

## 繁體中文

### 附錄A: EC符合性聲明

我們以製造商身份:

**Makita Europe N.V.**, 營業地址: **Jan-Baptist Vinkstraat 2, 3070 Kortenberg, 比利時**。  
授權 **Hiroshi Tsujimura** 編寫技術檔案, 並負全責聲明, 下列產品:

## РУССКИЙ

### Приложение А: Сертификат соответствия ЕС

Производители: **Makita Europe N.V.**, Рабочий адрес: **Jan-Baptist Vinkstraat 2, 3070 Kortenberg, Бельгия**. Уполномочиваем **Hiroshi Tsujimura** для составления файла технических данных и заявляем со всей нашей ответственностью, что изделие(я); Наименование: **Акумуляторный Кусторез**. Обозначение типа(ов): **UH013G, UH014G**. Удовлетворяет всем соответствующим положениям **2006/42/EC**, а также удовлетворяет всем соответствующим положениям следующих Директив ЕС/ЕС: **2014/30/EU, 2011/65/EU, 2000/14/EC** и производится согласно следующим гармонизированным стандартам: **EN 62841-1:2015, EN 62841-4-2:2019, EN IEC 55014-1:2021, EN IEC 55014-2:2021, EN IEC 63000:2018**.

Процедура определения соответствия, необходимая по Директиве **2000/14/EC**, была проведена согласно

#### Приложению **V**.

#### Модел UH013G

- Измеренный уровень мощности звука: **90,5 dB(Ср.)**
- Гарантированный уровень мощности звука: **93 dB(Ср.)**

#### Модел UH014G

- Измеренный уровень мощности звука: **91,3 dB(Ср.)**
- Гарантированный уровень мощности звука: **93 dB(Ср.)**

Место декларирования: **Kortenberg, Бельгия**. Ответственное лицо: **Hiroshi Tsujimura, Директор – Makita Europe N.V.** (дата и подпись на последней странице)

## ҚАЗАҚША

### А қосымшасы: ЕҚ-ның сәйкестік жөніндегі мәлімдемесі

Өндіруші ретінде әрекет ететін:

**Makita Europe N.V.**, Жұмыс мекенжайы: **Jan-Baptist Vinkstraat 2, 3070 Kortenberg, Бельгия**

**Hiroshi Tsujimura** мырзаға техникалық файлды құрастыру өкілдігін беріп, айрықша жауапкершіліктен келесі өнім (-дер):

Атауы: **Акумуляторлы бұтақескіш**

Түрінің(түрлерінің) коды: **UH013G, UH014G**.

**2006/42/EC** стандартының барлық тиісті талаптарына, **2014/30/EU, 2011/65/EU, 2000/14/EC** ЕҚ/ЕО директиваларының барлық тиісті талаптарына сәйкес келеді, сондай-ақ **EN 62841-1:2015, EN 62841-4-2:2019, EN IEC 55014-1:2021, EN IEC 55014-2:2021, EN IEC 63000:2018** келісілген стандарттарына сәйкес жасап шығарылды деп мәлімдейді.

**2000/14/EC** директивасына сәйкес талап етілетін сәйкестікті бағалау процедурасы **V қосымшасына** сәйкес

產品名稱: 充電式籬笆修剪機

產品類型: UH013G、UH014G

符合2006/42/EC的所有相關條款, 並且符合下列EC/EU法規的所有相關條款: 2014/30/EU、2011/65/EU、2000/14/EC並且根據下列經過協調的標準製造: EN 62841-1:2015、EN 62841-4-2:2019、EN IEC 55014-1:2021、EN IEC 55014-2:2021、EN IEC 63000:2018。

2000/14/EC法規要求的符合性評估程序以附錄V為依據。

型號UH013G

- 測得的聲音功率電平: 90.5 dB(A)
- 保證的聲音功率電平: 93 dB(A)

型號UH014G

- 測得的聲音功率電平: 91.3 dB(A)
- 保證的聲音功率電平: 93 dB(A)

聲明地點: Kortenberg, 比利時。

負責人: Hiroshi Tsujimura, 指導者 - Makita Europe N.V. (日期與簽名在最後一頁)

## ENGLISH (UK)

### Annex A: Declaration of Conformity

We as the manufat urers: **Makita Europe N.V.**, Business address: **Jan-Baptist Vinkstraat 2, 3070 Kortenberg, BELGIUM**. Authorize **Hiroshi Tsujimura** for the o mpilation of the technical file and declare under our sole responsibility that the produt (s); Designation: **Cordless Hedge Trimmer**. Designation of Type(s): **UH013G, UH014G**. Fulfills all the relea nt provisions of **S.I. 2008/1597 (as amended)** and also fulfills all the relevant provisions of the following UK Regulations: **S.I. 2016/1091 (as amended), S.I. 2012/3032 (as amended), S.I. 2001/1701 (as amended)** and are manufat ured in ao rdane with the following Designated Standards: **EN 62841-1:2015, EN 62841-4-2:2019, EN IEC 55014-1:2021, EN IEC 55014-2:2021, EN IEC 63000:2018**.

The conformity assessment procedure required by **S.I. 2001/1701 (as amended)** was in ao rdane with **Schedule 8**.

**Model UH013G**

- Measured Sound Power Leel: **90.5 dB(A)**
- Guaranteed Sound Power Leel: **93 dB(A)**

**Model UH014G**

- Measured Sound Power Leel: **91.3 dB(A)**
- Guaranteed Sound Power Leel: **93 dB(A)**

Plaœ of declaration: **Kortenberg, Belgium**. Responsible person: **Hiroshi Tsujimura, Director - Makita Europe N.V.** (date and signature on the last page)

Importer: Makita (UK) Limited, Mib igan Drie , Tongwell, Milton Keynes, Buckinghamshire, MK15 8JD, UK

A handwritten signature in black ink, appearing to read 'A. Kuyama', written in a cursive style.

7. 7. 2021

**Makita Europe N.V.**

Jan-Baptist Vinkstraat 2,  
3070 Kortenberg, Belgium

IDE

885918-509