

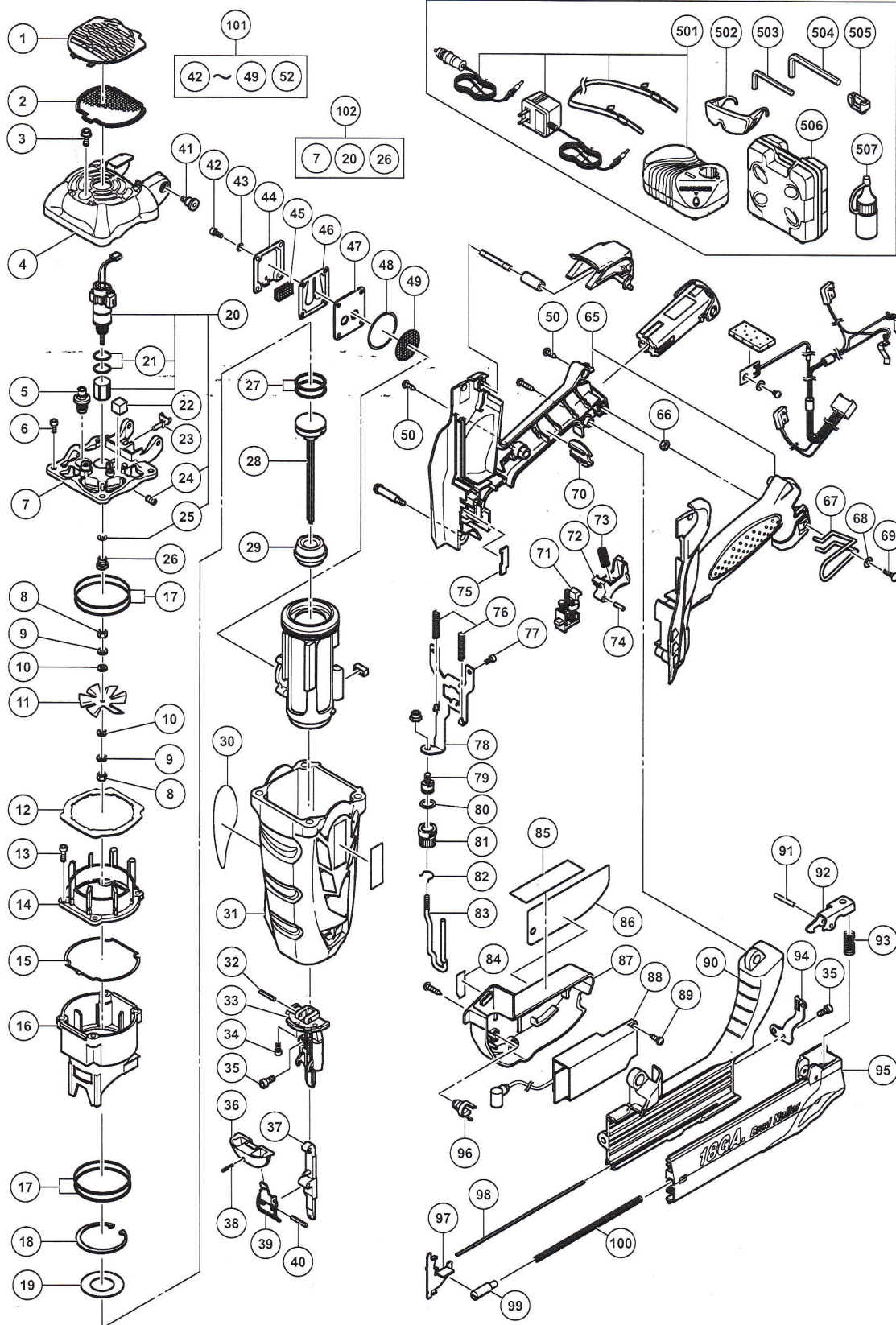
## GAS TOOL PARTS LIST

### ■ GAS BRAD NAILER

2010·9·29

Model GBNF 1850 (Hewi Brand)

(E1)



## PARTS

GBNF 1850

ITEM NO.	CODE NO.	DESCRIPTION	NO. USED	REMARKS
1	886-664	FILTER COVER	1	
2	886-344	FILTER MESH	1	
3	886-347	HEX. SOCKET HD. BOLT (W/FLANGE) M5 X 10	1	
4	886-335	TOP COVER	1	
5	885-333	SPARK PLUG (A)	1	
6	880-630	NYLOCK HEX. SOCKET HD. BOLT M4 X 12	4	
7	886-661	CYLINDER HEAD	1	
8	949-553	NUT M3 (10 PCS.)	2	
9	887-376	SPRING WASHER D3	2	
10	949-422	WASHER M3 (10 PCS.)	2	
11	886-309	FAN	1	
12	886-568	RUBBER PLATE	1	
13	949-754	HEX. SOCKET HD. BOLT M4 X 16 (10 PCS.)	4	
14	886-295	CHAMBER HEAD	1	
15	886-296	GASKET	1	
16	886-297	CHAMBER	1	
17	886-312	PISTON RING (B)	4	
18	886-298	RETAINING RING FOR D40 HOLE	1	
19	887-032	CYLINDER PLATE	1	
20	887-446	MOTOR ASS'Y	1	INCLUD. 21, 24, 25
21	875-638	O-RING (S-12)	2	
22	886-315	PACKING	1	
23	886-313	ADAPTER	1	
24	886-314	HEX. SOCKET SET SCREW M4 X 5	2	
25	886-567	SHAFT RUBBER WASHER	1	
26	886-663	SHAFT COVER	1	
27	886-848	PISTON RING (A)	2	
28	886-839	PISTON	1	
29	886-851	PISTON BUMPER	1	
30	887-651	NAME PLATE	1	
31	886-855	HOUSING	1	
32	886-310	PIN	1	
33	886-840	BLADE GUIDE	1	
34	886-311	SEAL LOCK HEX. SOCKET HD. BOLT M4 X 12	3	
35	880-413	NYLOCK HEX. SOCKET HD. BOLT M4 X 10	2	
36	886-570	LOCK LEVER COVER	1	
37	886-841	GUIDE PLATE	1	
38	887-458	ROLL PIN D3 X 10	1	
39	886-843	LOCK LEVER	1	
40	887-459	ROLL PIN D3 X 16	1	
41	886-566	HEX. SHOULDER BOLT M5	2	
42	886-307	SEAL LOCK HEX. SOCKET HD. BOLT M4 X 8	4	
43	886-319	CONICAL SPRING H8	4	
44	886-287	BUFFER COVER	1	
45	886-288	MUFFLER	1	
46	886-290	REED VALVE	1	
47	886-293	BUFFER PLATE	1	
48	886-294	O-RING	1	
49	886-292	MESH	1	
50	305-812	TAPPING SCREW (W/FLANGE) D4 X 16 (BLACK)	2	

**PARTS**

GBNF 1850

ITEM NO.	CODE NO.	DESCRIPTION	NO USED	REMARKS
51	886-565	HEX. SHOULDER BOLT M4 X 32	1	
52	887-356	CYLINDER	1	
53	886-285	CHAMBER STOP RUBBER	1	
54	877-371	NYLON NUT M5	1	
55	887-651	HEWI PLATE (H)	1	
56	886-332	CELL PIN	1	
57	886-333	PIPE RUBBER	1	
58	886-326	ACTUATOR	1	
59	FWGBNF185B	BATTERY (GBNF 185B)	1	
60	886-316	SUPPORT (B)	1	
61	887-635	INTERNAL WIRE (A)	1	
62	949-423	WASHER M4 (10 PCS.)	1	
63	887-460	MACHINE SCREW M4 (10 PCS.)	1	
64	302-086	TAPPING SCREW (W/FLANGE) D4 X 20 (BLACK)	2	
65	887-650	HANDLE SET	1	
66	886-330	LOCK NUT M4 (BLACK)	1	
67	886-345	HOOK	1	
68	887-036	WASHER	1	
69	887-034	TRUSS HD. SCREW M4 X 25 (BLACK)	1	
70	326-316	TERMINAL SUPPORT	1	
71	886-552	TRIGGER STOPPER	1	
72	886-327	TRIGGER	1	
73	886-328	TRIGGER SPRING	1	
74	949-890	PIN D3 X 20 (10 PCS.)	1	
75	886-324	CORD COVER PLATE	1	
76	886-301	CHAMBER SPRING	2	
77	886-308	SEAL LOCK HEX. SOCKET HD. BOLT M4 X 10	2	
78	886-856	PUSHING LEVER ARM	1	
79	887-035	PUSHING LEVER PIECE	1	
80	992-912	O-RING (S-8)	1	
81	887-033	ADJUSTER	1	
82	886-331	RATCHET SPRING	1	
83	886-852	PUSHING LEVER(A)	1	
84	887-415	CAUTION LABEL	1	
85	000-813	CAUTION LABEL	1	
86	000-814	WARNING LABEL	1	
87	886-844	CONTROL COVER	1	
88	886-320	CONTROLLER	1	
89	325-083	TAPPING SCREW (W/FLANGE) D4 X 12 (BLACK)	1	
90	886-845	MAGAZINE	1	
91	887-461	ROLL PIN D3 X 20	1	
92	885-894	STOP LEVER	1	
93	885-895	SPRING	1	
94	886-842	PLATE	1	
95	886-849	MAGAZINE COVER	1	
96	886-322	PRISM	1	
97	887-653	NAIL FEEDER	1	
98	885-898	NAIL PLATE	1	
99	885-899	FEEDER PIECE	1	
100	885-900	FEED SPRING	1	

**PARTS**

GBNF 1850

ITEM NO.	CODE NO.	DESCRIPTION	NO. USED	REMARKS
101	887-387	CYLINDER ASS'Y (A)	1	INCLUD. 42-49, 52
102	887-451	CYLINDER HEAD ASS'Y	1	INCLUD. 7, 20, 26

**STANDARD ACCESSORIES**

ITEM NO.	CODE NO.	DESCRIPTION	NO. USED	REMARKS
501	FWGBNF185L	CHARGER (MODEL GBNF 185L)	1	
502	875-769	SAFETY GLASSES	1	
503	887-462	HEX. BAR WRENCH 3MM	1	
504	887-463	HEX. BAR WRENCH 4MM	1	
505	886-846	NOSE CAP (A)	2	
506	887-645	CASE	1	
507	886-602	LUBRICANT OILER (B)	1	