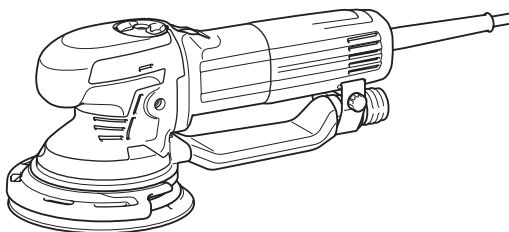
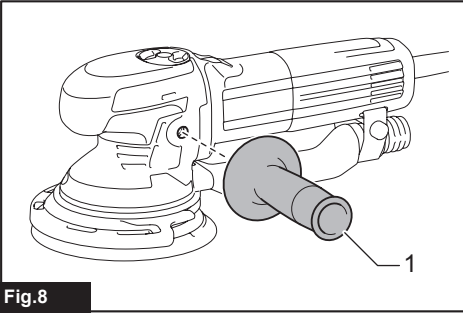
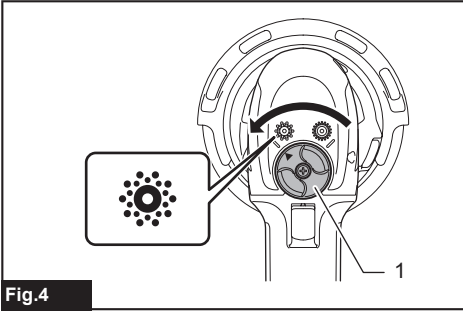
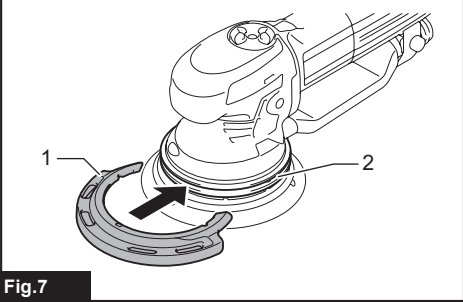
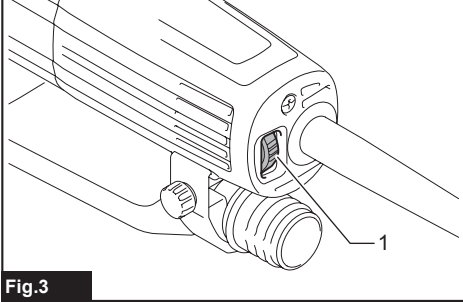
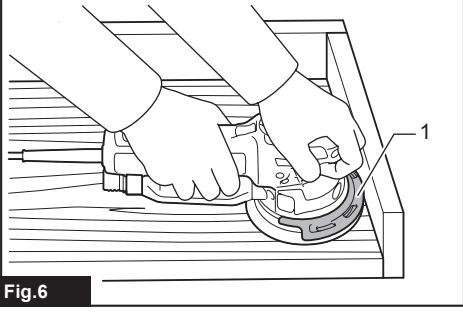
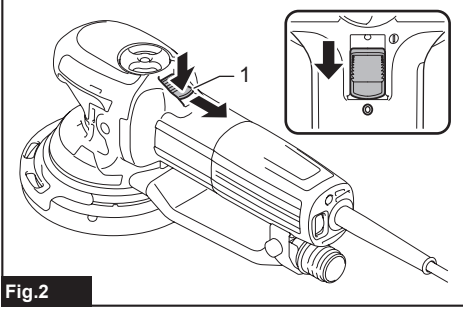
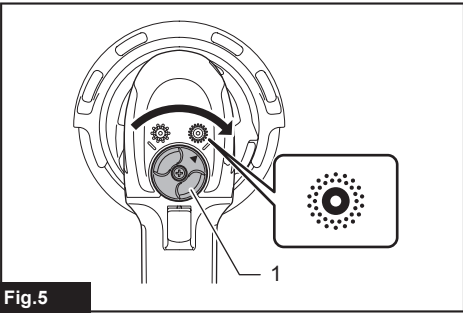
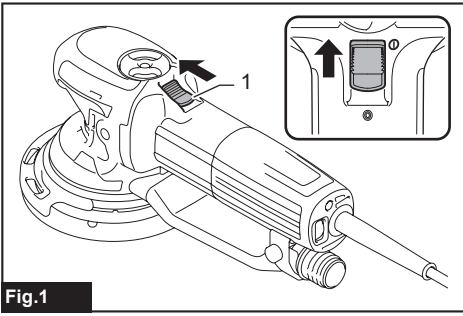




EN	Random Orbit Sander	INSTRUCTION MANUAL	4
FR	Ponceuse Orbitale à Disque	MANUEL D'INSTRUCTIONS	9
DE	Exzentrerschleifer	BETRIEBSANLEITUNG	14
IT	Levigatrice rotorbitale	ISTRUZIONI PER L'USO	19
NL	Excenter schuurmachine	GEBRUIKSAANWIJZING	24
ES	Lijadora Orbital	MANUAL DE INSTRUCCIONES	29
PT	Lixadeira Roto-Orbital	MANUAL DE INSTRUÇÕES	34
DA	Excentersliber	BRUGSANVISNING	39
EL	Λειαντήρας τυχαίας τροχιάς	ΕΓΧΕΙΡΙΔΙΟ ΟΔΗΓΙΩΝ	44
TR	Titreşim Zımpara Makinası	KULLANMA KILAVUZU	49

BO6050





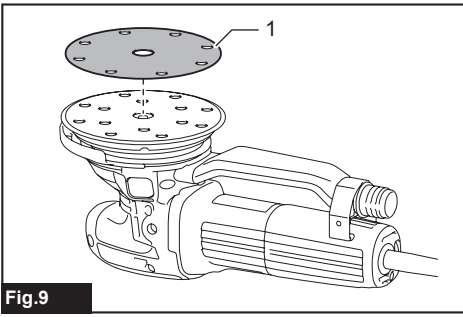


Fig.9

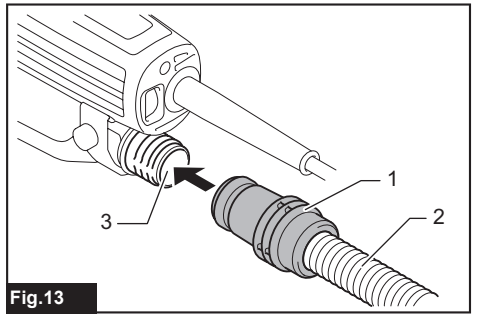


Fig.13

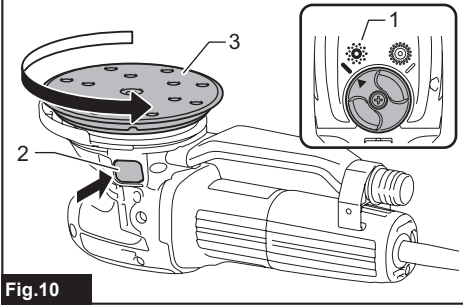


Fig.10

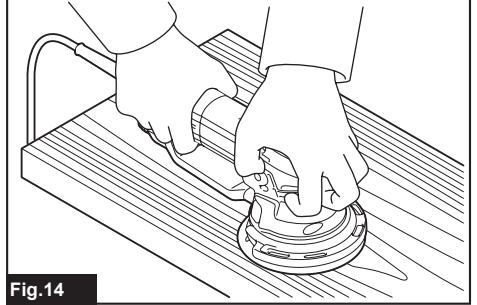


Fig.14

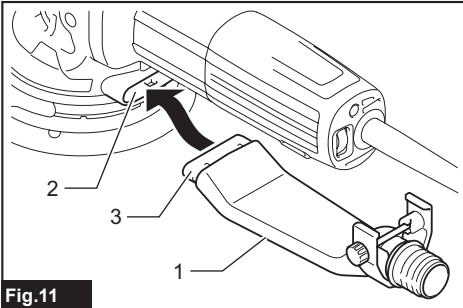


Fig.11

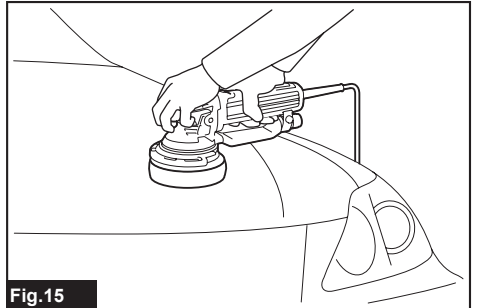


Fig.15

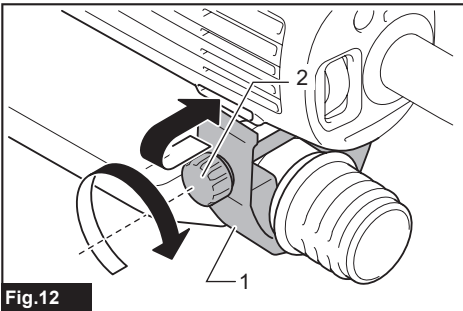


Fig.12

SPECIFICATIONS

Model:	BO6050
Pad diameter	150 mm
Abrasive disc diameter	150 mm
Orbits per minute (min ⁻¹)	1,600-6,800
Overall length	330 mm
Net weight	2.6 kg
Safety class	▣/II

- Due to our continuing program of research and development, the specifications herein are subject to change without notice.
- Specifications may differ from country to country.
- Weight according to EPTA-Procedure 01/2003

Intended use

The tool is intended for the sanding of large surface of wood, plastic and metal materials as well as painted surfaces.

Power supply

The tool should be connected only to a power supply of the same voltage as indicated on the nameplate, and can only be operated on single-phase AC supply. They are double-insulated and can, therefore, also be used from sockets without earth wire.

Noise

The typical A-weighted noise level determined according to EN60745:

Sound pressure level (L_{pA}) : 82 dB(A)

Sound power level (L_{WA}) : 93 dB (A)

Uncertainty (K) : 3 dB(A)

⚠ WARNING: Wear ear protection.

Vibration

The vibration total value (tri-axial vector sum) determined according to EN60745:

Work mode: sanding metal plate

Vibration emission (a_n) : 5.0 m/s²

Uncertainty (K) : 1.5 m/s²

Work mode: polishing

Vibration emission ($a_{n,AG}$) : 3.0 m/s²

Uncertainty (K) : 1.5 m/s²

NOTE: The declared vibration emission value has been measured in accordance with the standard test method and may be used for comparing one tool with another.

NOTE: The declared vibration emission value may also be used in a preliminary assessment of exposure.

⚠ WARNING: The vibration emission during actual use of the power tool can differ from the declared emission value depending on the ways in which the tool is used.

⚠ WARNING: Be sure to identify safety measures to protect the operator that are based on an estimation of exposure in the actual conditions of use (taking account of all parts of the operating cycle such as the times when the tool is switched off and when it is running idle in addition to the trigger time).

EC Declaration of Conformity

For European countries only

Makita declares that the following Machine(s):
Designation of Machine: Random Orbit Sander
Model No./ Type: BO6050

Conforms to the following European Directives:
2006/42/EC

They are manufactured in accordance with the following standard or standardized documents: EN60745

The technical file in accordance with 2006/42/EC is available from:

Makita, Jan-Baptist Vinkstraat 2, 3070, Belgium
30.3.2015

Yasushi Fukaya

Yasushi Fukaya

Director

Makita, Jan-Baptist Vinkstraat 2, 3070, Belgium

General power tool safety warnings

⚠ WARNING: Read all safety warnings and all instructions. Failure to follow the warnings and instructions may result in electric shock, fire and/or serious injury.

Save all warnings and instructions for future reference.

The term "power tool" in the warnings refers to your mains-operated (corded) power tool or battery-operated (cordless) power tool.

Sander safety warnings

1. **Always use safety glasses or goggles.** Ordinary eye or sun glasses are NOT safety glasses.
2. **Hold the tool firmly.**
3. **Do not leave the tool running. Operate the tool only when hand-held.**
4. **This tool has not been waterproofed, so do not use water on the workpiece surface.**
5. **Ventilate your work area adequately when you perform sanding operations.**
6. **Some material contains chemicals which may be toxic. Take caution to prevent dust inhalation and skin contact. Follow material supplier safety data.**
7. **Use of this tool to sand some products, paints and wood could expose user to dust containing hazardous substances. Use appropriate respiratory protection.**
8. **Be sure that there are no cracks or breakage on the pad before use. Cracks or breakage may cause a personal injury.**

SAVE THESE INSTRUCTIONS.

⚠WARNING: DO NOT let comfort or familiarity with product (gained from repeated use) replace strict adherence to safety rules for the subject product. MISUSE or failure to follow the safety rules stated in this instruction manual may cause serious personal injury.

FUNCTIONAL DESCRIPTION

⚠CAUTION: Always be sure that the tool is switched off and unplugged before adjusting or checking function on the tool.

Switch action

⚠CAUTION: Before plugging in the tool, always check to see that the slide switch actuates properly and returns to the "OFF" position when the rear of the slide switch is depressed.

⚠CAUTION: When locking tool in "ON" position apply caution and maintain firm grasp on tool.

To start the tool, slide the slide switch toward the "I (ON)" position. For continuous operation, press the front of the slide switch to lock it.

► **Fig.1:** 1. Slide switch

To stop the tool, press the rear of the slide switch, then

slide it toward the "O (OFF)" position.

► **Fig.2:** 1. Slide switch

Speed adjusting dial

► **Fig.3:** 1. Speed adjusting dial

The rotating speed can be changed by turning the speed adjusting dial to a given number setting from 1 to 5. Higher speed is obtained when the dial is turned in the direction of number 5. And lower speed is obtained when it is turned in the direction of number 1. Refer to the table for the relationship between the number settings on the dial and the approximate rotating speed.

Number	Orbits per min.	Pad rotating speed per minute in random orbit with forced rotation mode
1	1,600	140
2	2,900	260
3	4,200	370
4	5,500	490
5	6,800	600

NOTICE: If the tool is operated continuously at low speeds for a long time, the motor will get overloaded, resulting in tool malfunction.

NOTICE: The speed adjusting dial can be turned only as far as 5 and back to 1. Do not force it past 5 or 1, or the speed adjusting function may no longer work.

Electronic function

The tools equipped with electronic function are easy to operate because of the following features.

Constant speed control

Possible to get fine finish, because the rotating speed is kept constant even under the loaded condition.

Soft start feature

Soft start because of suppressed starting shock.

Selecting the action mode

Use the change knob to change the rotation mode.

NOTICE: Always turn the knob fully. If the knob is in the middle position, you can not turn on the tool.

NOTE: You can not change the action mode when the tool is switched on.

Random orbit with forced rotation mode

► **Fig.4:** 1. Change knob

Random orbit with forced rotation mode is orbital action with forced rotation of the pad for rough sanding and polishing.

Rotate the change knob counterclockwise for random orbit with forced rotation mode.

Random orbit mode

► **Fig.5:** 1. Change knob

Random orbit mode is orbital action with free rotation of the pad for fine sanding.

Rotate the change knob clockwise for random orbit mode.

Typical applications for sanding and polishing

Sanding

Material	Use	Mode selection		Speed control setting	Pad
		Random orbit with forced rotation	Random		
Paintwork	Sanding	-	○	1 - 3	Soft
	Repairs (scratches, rust spots)		○	2 - 3	Hard
	Rough paint stripping	○	-	4 - 5	Soft
Plastics	Soft plastics (PVC/ABS)		○	1 - 3	Super soft/Soft
	Hard plastics (FRP)	○	-	1 - 3	Soft/Hard
Woods	Softwood	-	○	1 - 3	Super soft/Soft
	Hardwood		○	3 - 5	Soft
	Veneers	-	○	1 - 2	Super Soft
Metals	Non-ferrous metal (aluminum, copper)		○	1 - 3	Soft
	Steel	○	-	3 - 5	Soft/Hard
	Steel, rust removal	○	-	4 - 5	Super Soft
	Hard metal (stainless steel)	○	-	4 - 5	Soft

Polishing

Use	Mode selection	Speed control setting	Pad
Applying wax	Random orbit with forced rotation	2 - 4	Sponge pad
Removing wax	Random orbit with forced rotation	4 - 5	Felt pad
Polishing	Random orbit with forced rotation	4 - 5	Wool pad

The above information is intended only as a guide. In each case, the most appropriate sanding disc grain should be determined by preliminary trials.

Protector

► **Fig.6:** 1. Protector

The protector prevents the pad, the tool housing and the wall from being damaged when working near a wall. Always use the protector when working.

To install the protector, align the tongue of the protector with the groove, and push in the protector.

To remove the protector, pull the protector forward.

► **Fig.7:** 1. Protector 2. Groove

ASSEMBLY

CAUTION: Always be sure that the tool is switched off and unplugged before carrying out any work on the tool.

Installing side grip

► **Fig.8:** 1. Side grip

Screw the side grip on the tool securely.

The side grip can be installed on either side of the tool.

Installing or removing abrasive disc

CAUTION: Always use hook-and-loop system abrasive discs. Never use pressure-sensitive abrasive discs.

► **Fig.9:** 1. Abrasive disc

To install the abrasive disc or the hook-and-loop type pad (optional accessory), first remove all dirt and foreign matter from the pad.

Then attach the abrasive disc to the pad, using the hook-and-loop system of the abrasive disc and the pad. Be careful to align the holes in the abrasive disc with those in the pad.

To remove the disc from the pad, just pull up from its edge.

Changing pad

CAUTION: Make sure the new pad is installed securely. Otherwise the pad may come off from the tool and cause personal injury.

- **Fig.10:** 1. Random orbit with forced rotation mode
2. Shaft lock button 3. Pad

Makita offers an extensive range of optional super soft, soft and hard pads.

To change the pad, perform as follows:

1. Use the change knob and change the mode into random orbit with forced rotation mode.
2. Press and hold the shaft lock button, and remove the pad by turning the pad counterclockwise.
3. Keep holding the shaft lock button, and install a new pad by turning the pad clockwise firmly.

Dust nozzle

CAUTION: Make sure the bolt is securely tightened after installing the dust nozzle. Otherwise the dust nozzle may fall and cause personal injury.

NOTICE: Do not carry the tool by the dust nozzle. Otherwise the tool may be damaged.

You can remove the dust nozzle in accordance with the operation.

To remove the dust nozzle, loosen the bolt, slightly open the holder part, and remove the dust nozzle.

To install the dust nozzle, insert the mouth of the dust nozzle into the dust outlet of the housing, align the tongue of the holder part with the groove of the housing, and tighten the bolt.

- **Fig.11:** 1. Dust nozzle 2. Dust outlet 3. Mouth

- **Fig.12:** 1. Holder part 2. Bolt

Dust collection (optional accessory)

- **Fig.13:** 1. Front cuffs 24 2. Hose 3. Dust outlet

If a Makita hose is used, you can connect the front cuffs 24 to the dust outlet directly.

OPERATION

CAUTION: Only use Makita genuine abrasive discs and pads for sander (optional accessories).

CAUTION: Never switch on the tool when it is in contact with the workpiece, it may cause an injury to operator.

CAUTION: Make sure the work material is secured and not unstable. Falling object may cause personal injury.

CAUTION: Hold the tool firmly with one hand on the switch handle and the other hand on the front grip (or side handle) when performing the tool.

NOTICE: Be careful not to press down the shaft lock button. It may shorten tool life.

NOTICE: Never force the tool. Excessive pressure may decrease the sanding / polishing efficiency, damage the abrasive disc / pad or shorten tool life.

Sanding operation

NOTICE: Never run the tool without the abrasive disc. You may seriously damage the pad.

- **Fig.14**

Hold the tool firmly. Turn the tool on and wait until it attains full speed. Then gently place the tool on the workpiece surface. Keep the pad flush with the workpiece and apply slight pressure on the tool.

Polishing operation

Optional accessory

NOTICE: Continuous operation at high speed may damage work surface.

- **Fig.15**

1. Applying wax

Use the sponge pad. Apply wax to the sponge pad or work surface. Run the tool at low speed to smooth out wax.

NOTE: First, wax a not conspicuous portion of the work surface to make sure that the tool will not scratch the surface or result in uneven waxing.

2. Removing wax

Use the felt pad. Run the tool to remove wax.

3. Polishing

Apply the wool pad gently to the work surface.

MAINTENANCE

CAUTION: Always be sure that the tool is switched off and unplugged before attempting to perform inspection or maintenance.

NOTICE: Never use gasoline, benzine, thinner, alcohol or the like. Discoloration, deformation or cracks may result.

To maintain product SAFETY and RELIABILITY, repairs, any other maintenance or adjustment should be performed by Makita Authorized or Factory Service Centers, always using Makita replacement parts.

OPTIONAL ACCESSORIES

⚠ CAUTION: These accessories or attachments are recommended for use with your Makita tool specified in this manual. The use of any other accessories or attachments might present a risk of injury to persons. Only use accessory or attachment for its stated purpose.

If you need any assistance for more details regarding these accessories, ask your local Makita Service Center.

- Hook-and-loop type abrasive discs (with pre-punched holes)
- Hook-and-loop type sponge pad
- Hook-and-loop type felt pad
- Hook-and-loop type wool pad
- Pad 150 (Super soft, Soft, Hard)
- Pad 130 (Polishing)
- Side grip

NOTE: Some items in the list may be included in the tool package as standard accessories. They may differ from country to country.

SPÉCIFICATIONS

Modèle :	BO6050
Diamètre du plateau	150 mm
Diamètre du disque abrasif	150 mm
Nombre d'oscillations par minute (min ⁻¹)	1 600-6 800
Longueur totale	330 mm
Poids net	2,6 kg
Catégorie de sécurité	⊠/II

- Étant donné l'évolution constante de notre programme de recherche et de développement, les spécifications contenues dans ce manuel sont sujettes à modification sans préavis.
- Les spécifications peuvent varier suivant les pays.
- Poids selon la procédure EPTA 01/2003

Utilisations

L'outil est conçu pour le ponçage des grandes surfaces de bois, de plastique et de métal, ainsi que des surfaces peintes.

Alimentation

L'outil ne devra être raccordé qu'à une alimentation de la même tension que celle qui figure sur la plaque signalétique, et il ne pourra fonctionner que sur un courant secteur monophasé. Réalisé avec une double isolation, il peut de ce fait être alimenté par une prise sans mise à la terre.

Bruit

Niveau de bruit pondéré A typique, déterminé selon EN60745 :

Niveau de pression sonore (L_{pA}) : 82 dB (A)

Niveau de puissance sonore (L_{WA}) : 93 dB (A)

Incertitude (K) : 3 dB (A)

⚠ AVERTISSEMENT : Portez un serre-tête antibruit.

Vibrations

Valeur totale de vibrations (somme de vecteur triaxial) déterminée selon EN60745 :

Mode de travail : ponçage de la tôle

Émission de vibrations (a_n) : 5,0 m/s²

Incertitude (K) : 1,5 m/s²

Mode de travail : polissage

Émission de vibrations (a_{n,AG}) : 3,0 m/s²

Incertitude (K) : 1,5 m/s²

NOTE : La valeur d'émission de vibrations déclarée a été mesurée conformément à la méthode de test standard et peut être utilisée pour comparer les outils entre eux.

NOTE : La valeur d'émission de vibrations déclarée peut aussi être utilisée pour l'évaluation préliminaire de l'exposition.

⚠ AVERTISSEMENT : L'émission de vibrations lors de l'usage réel de l'outil électrique peut être différente de la valeur d'émission déclarée, suivant la façon dont l'outil est utilisé.

⚠ AVERTISSEMENT : Les mesures de sécurité à prendre pour protéger l'utilisateur doivent être basées sur une estimation de l'exposition dans des conditions réelles d'utilisation (en tenant compte de toutes les composantes du cycle d'utilisation, comme par exemple le moment de sa mise hors tension, lorsqu'il tourne à vide et le moment de son déclenchement).

Déclaration de conformité CE

Pour les pays européens uniquement

Makita déclare que la ou les machines suivantes :
Désignation de la machine : Ponceuse Orbitale à Disque

N° de modèle/Type : BO6050

sont conformes aux Directives européennes suivantes : 2006/42/CE

et sont fabriquées conformément aux normes ou aux documents normalisés suivants : EN60745

La documentation technique conforme à la norme 2006/42/CE est disponible auprès de :

Makita, Jan-Baptist Vinkstraat 2, 3070, Belgique
30.3.2015

Yasushi Fukaya

Yasushi Fukaya

Directeur

Makita, Jan-Baptist Vinkstraat 2, 3070, Belgique

Consignes de sécurité générales pour outils électriques

⚠ AVERTISSEMENT : Lisez toutes les consignes de sécurité et toutes les instructions. Il y a risque d'électrocution, d'incendie et/ou de graves blessures si les mises en garde et les instructions ne sont pas respectées.

Conservez toutes les mises en garde et instructions pour référence ultérieure.

Le terme « outil électrique » dans les avertissements fait référence à l'outil électrique alimenté par le secteur (avec cordon d'alimentation) ou à l'outil électrique fonctionnant sur batterie (sans cordon d'alimentation).

Consignes de sécurité pour ponceuse

1. Utilisez toujours des lunettes de protection ou des lunettes à coques. Des lunettes ordinaires ou de soleil NE sont PAS des lunettes de protection.
2. Tenez l'outil fermement.
3. Ne vous éloignez pas de l'outil quand il fonctionne. Ne faites fonctionner l'outil que lorsque vous le tenez en main.
4. L'outil n'étant pas étanche, n'utilisez pas d'eau sur la surface de travail.
5. Ventilez bien l'aire de travail quand vous effectuez un ponçage.
6. Certains matériaux contiennent des produits chimiques qui peuvent être toxiques. Prenez les précautions nécessaires pour ne pas inhaler les poussières qu'ils dégagent et pour éviter tout contact avec la peau. Conformez-vous aux consignes de sécurité du fournisseur du matériau.
7. L'utilisation de cet outil pour poncer certains types de produit, peinture et bois peut exposer l'utilisateur à des poussières contenant des substances dangereuses. Utilisez une protection des voies respiratoires adéquate.
8. Avant l'utilisation, assurez-vous que le plateau n'est ni fissuré ni cassé. Il y a risque de blessure s'il est fissuré ou cassé.

CONSERVEZ CES INSTRUCTIONS.

⚠️ AVERTISSEMENT : NE vous laissez PAS tromper (au fil d'une utilisation répétée) par un sentiment d'aisance et de familiarité avec le produit, en négligeant le respect rigoureux des consignes de sécurité qui accompagnent le produit en question. La MAUVAISE UTILISATION de l'outil ou l'ignorance des consignes de sécurité indiquées dans ce mode d'emploi peut entraîner de graves blessures.

DESCRIPTION DU FONCTIONNEMENT

⚠️ ATTENTION : Assurez-vous toujours que l'outil est hors tension et débranché avant de l'ajuster ou de vérifier son fonctionnement.

Interrupteur

⚠️ ATTENTION : Avant de brancher l'outil, vérifiez toujours que l'interrupteur coulissant fonctionne correctement et qu'il revient sur la position « Arrêt » lorsque l'arrière de l'interrupteur coulissant est enfoncé.

⚠️ ATTENTION : Lorsque vous verrouillez l'outil sur la position « Marche », soyez prudent et tenez fermement l'outil.

Pour faire démarrer l'outil, poussez l'interrupteur coulissant sur la position « I (Marche) ». Pour obtenir un fonctionnement continu, appuyez sur l'avant de l'interrupteur coulissant pour le verrouiller.

► Fig.1: 1. Interrupteur coulissant

Pour arrêter l'outil, appuyez sur l'arrière de l'interrupteur coulissant, puis poussez-le sur la position « O (Arrêt) ».

► Fig.2: 1. Interrupteur coulissant

Cadran de réglage de la vitesse

► Fig.3: 1. Cadran de réglage de la vitesse

La vitesse de rotation peut être modifiée en tournant le cadran de réglage de la vitesse sur un numéro de réglage donné, de 1 à 5. Une vitesse plus élevée est obtenue lorsque le cadran est tourné en direction du numéro 5. Tandis qu'une vitesse moins élevée est obtenue lorsque le cadran est tourné en direction du numéro 1.

Reportez-vous au tableau pour le rapport entre les réglages numérotés sur le cadran et la vitesse approximative de rotation.

Numéro	Nombre d'oscillations par minute	Vitesse de rotation du plateau par minute en mode excentrique à rotation forcée
1	1 600	140
2	2 900	260
3	4 200	370
4	5 500	490
5	6 800	600

REMARQUE : Si l'outil est utilisé de manière continue à vitesse basse sur une période prolongée, le moteur surchauffera, entraînant un dysfonctionnement de l'outil.

REMARQUE : Le cadran de réglage de la vitesse ne peut pas être tourné plus haut que 5 ou plus bas que 1. N'essayez pas de le placer au-delà de 5 ou en dessous de 1, sinon le réglage de la vitesse risque de ne plus fonctionner.

Fonctions électroniques

Les caractéristiques suivantes facilitent l'utilisation des outils munis de fonctions électroniques.

Commande de vitesse constante

Permet d'obtenir une finition précise puisque la vitesse de rotation est maintenue constante même en condition de charge.

Fonction de démarrage en douceur

La suppression du choc de démarrage permet un démarrage en douceur.

Sélection du mode de fonctionnement

Utilisez le bouton de changement pour changer le mode de rotation.

REMARQUE : Tournez toujours le bouton à fond. Si le bouton est sur la position intermédiaire, l'outil ne peut pas être mis sous tension.

NOTE : Il est impossible de changer le mode de fonctionnement lorsque l'outil est sous tension.

Mode excentrique à rotation forcée

► Fig.4: 1. Bouton de changement

Le mode excentrique à rotation forcée consiste en une course orbitale avec rotation forcée du plateau pour un ponçage grossier et un polissage.

Tournez le bouton de changement dans le sens inverse des aiguilles d'une montre pour le mode excentrique à rotation forcée.

Mode excentrique

► Fig.5: 1. Bouton de changement

Le mode excentrique consiste en une course orbitale avec rotation libre du plateau pour un ponçage fin. Tournez le bouton de changement dans le sens des aiguilles d'une montre pour le mode excentrique.

Applications typiques pour le ponçage et le polissage

Ponçage

Matériau	Utilisation	Sélection du mode		Réglage de la commande de vitesse	Plateau
		Excentrique à rotation forcée	Excentrique		
Peinture	Ponçage	-	○	1 - 3	Souple
	Réparation (éraflures, taches de rouille)	○		2 - 3	Dur
	Décapage de peinture grossier	○	-	4 - 5	Souple

Matériau	Utilisation	Sélection du mode		Réglage de la commande de vitesse	Plateau
		Excentrique à rotation forcée	Excentrique		
Plastiques	Plastiques souples (PVC/ABS)	○		1 - 3	Extra-souple/ Souple
	Plastiques durs (FRP)	○	-	1 - 3	Souple/ Dur
Bois	Bois tendre	-	○	1 - 3	Extra-souple/ Souple
	Bois franc	○		3 - 5	Souple
	Placage	-	○	1 - 2	Extra-souple
Métaux	Métaux non ferreux (aluminium, cuivre)	○		1 - 3	Souple
	Acier	○	-	3 - 5	Souple/ Dur
	Acier, retrait de la rouille	○	-	4 - 5	Extra-souple
	Métal dur (acier inoxydable)	○	-	4 - 5	Souple

Polissage

Utilisation	Sélection du mode	Réglage de la commande de vitesse	Plateau
Application de cire	Excentrique à rotation forcée	2 - 4	Plateau en mousse
Retrait de cire	Excentrique à rotation forcée	4 - 5	Plateau en feutre
Polissage	Excentrique à rotation forcée	4 - 5	Plateau en peau de mouton

Les informations ci-dessus sont fournies à titre indicatif uniquement. Dans chaque situation, le grain du disque de ponçage le plus approprié doit être déterminé par des essais préliminaires.

Dispositif de protection

► Fig.6: 1. Dispositif de protection

Le dispositif de protection empêche le plateau, le carter de l'outil et le mur d'être endommagés lorsque vous travaillez près d'un mur. Utilisez toujours le dispositif de protection lorsque vous travaillez. Pour installer le dispositif de protection, alignez la languette du dispositif de protection sur la rainure et enfoncez le dispositif de protection. Pour retirer le dispositif de protection, tirez-le vers l'avant.

ASSEMBLAGE

ATTENTION : Avant d'effectuer toute intervention sur l'outil, assurez-vous toujours qu'il est hors tension et débranché.

Installation de la poignée latérale

► Fig.8: 1. Poignée latérale

Vissez solidement la poignée latérale sur l'outil. La poignée latérale peut être installée des deux côtés de l'outil.

Mise en place et retrait du disque abrasif

ATTENTION : N'utilisez que des disques abrasifs à fixation auto-agrippante. L'utilisation de disques abrasifs sensibles à la pression est à exclure.

► Fig.9: 1. Disque abrasif

Pour installer le disque abrasif ou le plateau de type auto-agrippant (accessoire en option), commencez par enlever toute la saleté et les corps étrangers incrustés sur le plateau.

Puis fixez le disque abrasif sur le plateau au moyen de la fixation auto-agrippante du disque abrasif et du plateau.

Veillez bien à aligner les orifices du disque abrasif sur ceux du plateau.

Pour retirer le disque du plateau, soulevez simplement le disque par le bord.

Changement du plateau

ATTENTION : Assurez-vous que le plateau neuf est solidement posé. Autrement, le plateau pourrait se détacher de l'outil et vous blesser.

► Fig.10: 1. Mode excentrique à rotation forcée
2. Bouton de blocage de l'arbre 3. Plateau

Makita offre un vaste choix de plateaux ultra-souples, souples et durs en option.

Pour changer de plateau, procédez comme suit :

1. Utilisez le bouton de changement pour basculer sur le mode excentrique à rotation forcée.
2. Maintenez enfoncé le bouton de blocage de l'arbre et retirez le plateau en le tournant dans le sens inverse des aiguilles d'une montre.
3. Continuez d'appuyer sur le bouton de blocage de l'arbre et mettez un plateau neuf en place en tournant fermement le plateau dans le sens des aiguilles d'une montre.

Raccord à poussière

ATTENTION : Assurez-vous que le boulon est bien serré après avoir installé le raccord à poussière. Autrement, le raccord à poussière pourrait tomber et vous blesser.

REMARQUE : Ne transportez pas l'outil par le raccord à poussière. Autrement, l'outil pourrait être endommagé.

Vous pouvez retirer le raccord à poussière selon l'opération.

Pour retirer le raccord à poussière, desserrez le boulon, ouvrez légèrement la pièce du support et retirez le raccord à poussière.

Pour mettre en place le raccord à poussière, insérez son bec dans la sortie de poussière du carter, alignez la languette de la pièce du support sur la rainure du carter et serrez le boulon.

► Fig.11: 1. Raccord à poussière 2. Sortie de poussière 3. Bec

► Fig.12: 1. Pièce du support 2. Boulon

Collecte de la poussière (accessoire en option)

► Fig.13: 1. Manchon avant 24 2. Tuyau
3. Sortie de poussière

Si vous utilisez un tuyau Makita, vous pouvez connecter le manchon avant 24 directement sur la sortie de poussière.

UTILISATION

ATTENTION : N'utilisez que des disques abrasifs et des plateaux Makita d'origine pour la ponceuse (accessoires en option).

ATTENTION : Ne mettez jamais l'outil en marche alors qu'il se trouve en contact avec la pièce à travailler ; vous risqueriez de vous blesser.

ATTENTION : Assurez-vous que le matériau à travailler est fixé en place et stable. La chute d'un objet présente un risque de blessure.

ATTENTION : Tenez fermement l'outil avec une main sur la poignée de l'interrupteur et l'autre main sur la poignée avant (ou poignée latérale) lorsque vous utilisez l'outil.

REMARQUE : Prenez soin de ne pas enfoncer le bouton de blocage de l'arbre. La durée de service de l'outil en serait réduite.

REMARQUE : Ne forcez jamais l'outil. Une pression trop grande peut causer une diminution de l'efficacité du ponçage/polissage, endommager le disque abrasif/plateau ou réduire la durée de service de l'outil.

Opération de ponçage

REMARQUE : Ne faites jamais fonctionner l'outil sans disque abrasif. Vous pourriez endommager gravement le plateau.

► Fig.14

Tenez l'outil fermement. Mettez l'outil sous tension et attendez qu'il ait atteint sa pleine vitesse. Posez ensuite doucement l'outil sur la surface de la pièce à travailler. Maintenez le plateau parallèle à la pièce à travailler et appliquez une légère pression sur l'outil.

Opération de polissage

Accessoire en option

REMARQUE : Un fonctionnement continu à vitesse élevée peut endommager la surface de travail.

► Fig.15

1. Application de cire

Utilisez le plateau en mousse. Appliquez de la cire sur le plateau en mousse ou sur la surface de travail. Faites fonctionner l'outil à basse vitesse pour étendre la cire.

NOTE : Cirez d'abord une partie peu visible de la surface de travail pour vous assurer que l'outil n'éraflera pas la surface ou ne produira pas un cirage inégal.

2. Retrait de cire

Utilisez le plateau en feutre. Faites fonctionner l'outil pour retirer la cire.

3. Polissage

Appliquez le plateau en peau de mouton doucement sur la surface de travail.

ENTRETIEN

ATTENTION : Assurez-vous toujours que l'outil est hors tension et débranché avant d'y effectuer tout travail d'inspection ou d'entretien.

REMARQUE : N'utilisez jamais d'essence, benzène, diluant, alcool ou autre produit similaire. Cela risquerait de provoquer la décoloration, la déformation ou la fissuration de l'outil.

Pour assurer la SÉCURITÉ et la FIABILITÉ du produit, toute réparation, tout travail d'entretien ou de réglage doivent être effectués par un centre d'entretien Makita agréé, avec des pièces de rechange Makita.

ACCESSOIRES EN OPTION

ATTENTION : Ces accessoires ou pièces complémentaires sont recommandés pour l'utilisation avec l'outil Makita spécifié dans ce mode d'emploi. L'utilisation de tout autre accessoire ou pièce complémentaire peut comporter un risque de blessure. N'utilisez les accessoires ou pièces complémentaires qu'aux fins auxquelles ils ont été conçus.

Pour obtenir plus de détails sur ces accessoires, contactez votre centre d'entretien local Makita.

- Disques abrasifs de type auto-agrippant (perforés)
- Plateau en mousse de type auto-agrippant
- Plateau en feutre de type auto-agrippant
- Plateau en peau de mouton de type auto-agrippant
- Plateau 150 (Ultra-souple, souple, dur)
- Plateau 130 (Polissage)
- Poignée latérale

NOTE : Il se peut que certains éléments de la liste soient compris dans l'emballage de l'outil en tant qu'accessoires standard. Ils peuvent varier d'un pays à l'autre.

TECHNISCHE DATEN

Modell:	BO6050
Schleiftellerdurchmesser	150 mm
Schleifscheibendurchmesser	150 mm
Umdrehungen pro Minute (min ⁻¹)	1.600-6.800
Gesamtlänge	330 mm
Nettogewicht	2,6 kg
Sicherheitsklasse	II/III

- Wir behalten uns vor, Änderungen der technischen Daten im Zuge der Entwicklung und des technischen Fortschritts ohne vorherige Ankündigung vorzunehmen.
- Die technischen Daten können von Land zu Land unterschiedlich sein.
- Gewicht nach EPTA-Verfahren 01/2003

Vorgesehene Verwendung

Das Werkzeug ist für das Schleifen großer Flächen von Holz, Kunststoff und Metallmaterial sowie von lackierten Oberflächen vorgesehen.

Stromversorgung

Das Werkzeug sollte nur an eine Stromquelle angeschlossen werden, deren Spannung mit der Angabe auf dem Typenschild übereinstimmt, und kann nur mit Einphasen-Wechselstrom betrieben werden. Diese sind doppelt schutzisoliert und können daher auch an Steckdosen ohne Erdleiter verwendet werden.

Geräusch

Typischer A-bewerteter Geräuschpegel ermittelt gemäß EN60745:

Schalldruckpegel (L_{pA}): 82 dB (A)
 Schalleistungspegel (L_{WA}): 93 dB (A)
 Messunsicherheit (K): 3 dB (A)

⚠️ WARNUNG: Einen Gehörschutz tragen.

Schwingungen

Schwingungsgesamtwert (Drei-Achsen-Vektorsumme) ermittelt gemäß EN60745:

Arbeitsmodus: Schleifen von Metallplatten
 Schwingungsemission (a_v): 5,0 m/s²
 Messunsicherheit (K): 1,5 m/s²
 Arbeitsmodus: Polieren
 Vibrationsemission (a_{h,AG}): 3,0 m/s²
 Messunsicherheit (K): 1,5 m/s²

HINWEIS: Der angegebene Schwingungsemissionswert wurde im Einklang mit der Standardprüfmethode gemessen und kann für den Vergleich zwischen Werkzeugen herangezogen werden.

HINWEIS: Der angegebene Schwingungsemissionswert kann auch für eine Vorbewertung des Gefährdungsgrads verwendet werden.

⚠️ WARNUNG: Die Schwingungsemission während der tatsächlichen Benutzung des Elektrowerkzeugs kann je nach der Benutzungsweise des Werkzeugs vom angegebenen Emissionswert abweichen.

⚠️ WARNUNG: Identifizieren Sie Sicherheitsmaßnahmen zum Schutz des Benutzers anhand einer Schätzung des Gefährdungsgrads unter den tatsächlichen Benutzungsbedingungen (unter Berücksichtigung aller Phasen des Arbeitszyklus, wie z. B. Ausschalt- und Leerlaufzeiten des Werkzeugs zusätzlich zur Betriebszeit).

EG-Konformitätserklärung

Nur für europäische Länder

Makita erklärt, dass die folgende(n) Maschine(n):
 Bezeichnung der Maschine: Exzenterschleifer
 Modell-Nr./Typ: BO6050

Entspricht den folgenden europäischen Richtlinien:
 2006/42/EG

Sie werden gemäß den folgenden Standards oder standardisierten Dokumenten hergestellt: EN60745
 Die technische Akte in Übereinstimmung mit 2006/42/EG ist erhältlich von:

Makita, Jan-Baptist Vinkstraat 2, 3070, Belgien
 30.3.2015



Yasushi Fukaya

Direktor

Makita, Jan-Baptist Vinkstraat 2, 3070, Belgien

Allgemeine Sicherheitswarnungen für Elektrowerkzeuge

⚠️ WARNUNG: Lesen Sie alle Sicherheitswarnungen und Anweisungen durch.
 Eine Missachtung der unten aufgeführten Warnungen und Anweisungen kann zu einem elektrischen Schlag, Brand und/oder schweren Verletzungen führen.

Bewahren Sie alle Warnungen und Anweisungen für spätere Bezugnahme auf.

Der Ausdruck „Elektrowerkzeug“ in den Warnhinweisen bezieht sich auf Ihr mit Netzstrom (mit Kabel) oder Akku (ohne Kabel) betriebenes Elektrowerkzeug.

Sicherheitswarnungen für Schleifer

1. Tragen Sie stets eine Sicherheits- oder Schutzbrille. Eine gewöhnliche Brille oder Sonnenbrille ist KEIN Ersatz für eine Sicherheitsbrille.
2. Halten Sie das Werkzeug mit festem Griff.
3. Lassen Sie das Werkzeug nicht unbeaufsichtigt laufen. Benutzen Sie das Werkzeug nur im handgeführten Einsatz.
4. Dieses Werkzeug ist nicht wasserdicht. Benetzen Sie daher die Bearbeitungsfläche nicht mit Wasser.
5. Sorgen Sie für ausreichende Belüftung des Arbeitsplatzes beim Schleifen.
6. Manche Materialien können giftige Chemikalien enthalten. Treffen Sie Vorsichtsmaßnahmen, um das Einatmen von Arbeitsstaub und Hautkontakt zu verhindern. Befolgen Sie die Sicherheitsdaten des Materialherstellers.
7. Der Gebrauch dieses Werkzeugs zum Schleifen bestimmter Produkte, Lacke und Holz kann den Benutzer Staub aussetzen, der gefährliche Substanzen enthält. Verwenden Sie einen geeigneten Atemschutz.
8. Vergewissern Sie sich vor dem Gebrauch, dass der Schleifteller keine Risse oder Brüche aufweist. Risse oder Brüche können Personenschäden verursachen.

DIESE ANWEISUNGEN AUFBEWAHREN.

⚠️ WARNUNG: Lassen Sie sich NICHT durch Bequemlichkeit oder Vertrautheit mit dem Produkt (durch wiederholten Gebrauch erworben) von der strikten Einhaltung der Sicherheitsregeln für das vorliegende Produkt abhalten. MISSBRAUCH oder Missachtung der Sicherheitsvorschriften in dieser Anleitung können schwere Personenschäden verursachen.

FUNKTIONSBESCHREIBUNG

⚠️ VORSICHT: Vergewissern Sie sich vor jeder Einstellung oder Funktionsprüfung des Werkzeugs stets, dass es ausgeschaltet und vom Stromnetz getrennt ist.

Schalterfunktion

⚠️ VORSICHT: Vergewissern Sie sich vor dem Anschließen des Werkzeugs stets, dass der Schiebescalter ordnungsgemäß funktioniert und beim Drücken seiner Rückseite in die AUS-Stellung zurückkehrt.

⚠️ VORSICHT: Lassen Sie Vorsicht walten, wenn Sie den Schalter in der EIN-Stellung verriegeln, und halten Sie das Werkzeug mit festem Griff.

Zum Einschalten des Werkzeugs den Schiebescalter auf die Position „I“ (EIN) schieben. Für Dauerbetrieb rasten Sie den Schiebescalter durch Drücken seiner Vorderseite ein.

► **Abb.1:** 1. Schiebescalter

Zum Ausschalten des Werkzeugs die Rückseite des Schiebescalters drücken, und dann den Schalter auf die Stellung „O“ (AUS) schieben.

► **Abb.2:** 1. Schiebescalter

Drehzahl-Stellrad

► **Abb.3:** 1. Drehzahl-Stellrad

Die Drehzahl kann durch Drehen des Drehzahl-Stellrads auf eine der Stufen von 1 bis 5 verstellt werden. Durch Drehen des Stellrads in Richtung der Stufe 5 wird die Drehzahl erhöht. Durch Drehen des Stellrads in Richtung der Stufe 1 wird die Drehzahl verringert. Die ungefähren Drehzahlen für die einzelnen Stellrad-Positionen sind aus der nachstehenden Tabelle ersichtlich.

Nummer	Umdrehungen pro Minute	Schleiftellerdrehzahl pro Minute im Random-Orbit-Modus mit Zwangsrotation
1	1.600	140
2	2.900	260
3	4.200	370
4	5.500	490
5	6.800	600

ANMERKUNG: Wird das Werkzeug über längere Zeitspannen im Dauerbetrieb mit niedriger Drehzahl betrieben, führt das zu einer Überlastung des Motors, die eine Funktionsstörung zur Folge haben kann.

ANMERKUNG: Das Drehzahl-Stellrad lässt sich nur bis 5 und zurück auf 1 drehen. Wird es gewaltsam über 5 oder 1 hinaus gedreht, kann die Drehzahleinstellung funktionsunbrauchbar werden.

Elektronikfunktionen

Die mit Elektronikfunktionen ausgestatteten Werkzeuge weisen die folgenden Merkmale zur Bedienungserleichterung auf.

Konstantdrehzahlregelung

Feines Finish wird ermöglicht, weil die Drehzahl selbst unter Belastung konstant gehalten wird.

Soft-Start-Funktion

Diese Funktion gewährleistet ruckfreies Anlaufen durch Anlaufstoßunterdrückung.

Wahl der Betriebsart

Benutzen Sie den Betriebsartenknopf, um den Rotationsmodus zu wechseln.

ANMERKUNG: Drehen Sie den Knopf immer bis zum Anschlag. Befindet sich der Knopf in einer Zwischenstellung, kann das Werkzeug nicht eingeschaltet werden.

HINWEIS: Die Betriebsart kann nicht bei eingeschaltetem Werkzeug gewechselt werden.

Random-Orbit-Modus mit Zwangsrotation

► **Abb.4:** 1. Betriebsartenknopf

Im Random-Orbit-Modus mit Zwangsrotation führt das Werkzeug eine Umlaufbewegung mit Zwangsrotation des Schleiftellers für Grobschleifen und Polieren aus. Drehen Sie den Betriebsartenknopf entgegen dem Uhrzeigersinn, um den Random-Orbit-Modus mit Zwangsrotation zu wählen.

Random-Orbit-Modus

► **Abb.5:** 1. Betriebsartenknopf

Im Random-Orbit-Modus führt das Werkzeug eine Umlaufbewegung mit freier Rotation des Schleiftellers für Feinschleifen aus. Drehen Sie den Betriebsartenknopf im Uhrzeigersinn, um den Random-Orbit-Modus zu wählen.

Typische Anwendungen für Schleifen und Polieren

Schleifen

Material	Verwendung	Betriebsartwahl		Drehzahlstufe	Schleifteller
		Random-Orbit mit Zwangsrotation	Random		
Lackierung	Schleifen	-	○	1 - 3	Weich
	Reparaturen (Kratzer, Rostflecken)	○		2 - 3	Hart
	Grobes Entlacken	○	-	4 - 5	Weich
Kunststoffe	Weiche Kunststoffe (PVC/ABS)	○		1 - 3	Superweich/Weich
	Harte Kunststoffe (FRP)	○	-	1 - 3	Weich/Hart

Material	Verwendung	Betriebsartwahl		Drehzahlstufe	Schleifteller
		Random-Orbit mit Zwangsrotation	Random		
Hölzer	Weichholz	-	○	1 - 3	Superweich/Weich
	Hartholz	○		3 - 5	Weich
	Furniere	-	○	1 - 2	Superweich
Metalle	Nichteisenmetall (Aluminium, Kupfer)	○		1 - 3	Weich
	Stahl	○	-	3 - 5	Weich/Hart
	Stahl, Rostentfernung	○	-	4 - 5	Superweich
	Hartmetall (Edelstahl)	○	-	4 - 5	Weich

Polieren

Verwendung	Betriebsartwahl	Drehzahlstufe	Schleifteller
Wachs auftragen	Random-Orbit mit Zwangsrotation	2 - 4	Schwamm-scheibe
Wachs entfernen	Random-Orbit mit Zwangsrotation	4 - 5	Filz-scheibe
Polieren	Random-Orbit mit Zwangsrotation	4 - 5	Woll-scheibe

Die obigen Informationen sind nur als Orientierungshilfe vorgesehen. In jedem Fall sollte die am besten geeignete Schleifscheiben-Körnung durch Vorprüfungen ermittelt werden.

Schutzkappe

► **Abb.6:** 1. Schutzkappe

Die Schutzkappe verhindert eine Beschädigung des Schleiftellers, des Werkzeuggehäuses und der Wand, wenn in der Nähe einer Wand gearbeitet wird. Verwenden Sie immer die Schutzkappe bei der Arbeit. Zum Anbringen der Schutzkappe die Zunge der Schutzkappe auf die Führungsnut ausrichten, und dann die Schutzkappe hineindrücken. Zum Abnehmen der Schutzkappe diese nach vorn ziehen.

► **Abb.7:** 1. Schutzkappe 2. Führungsnut

MONTAGE

⚠ VORSICHT: Vergewissern Sie sich vor der Ausführung von Arbeiten am Werkzeug stets, dass es ausgeschaltet und vom Stromnetz getrennt ist.

Montieren des Seitengriffs

► **Abb.8:** 1. Seitengriff

Den Seitengriff fest an das Werkzeug anschrauben. Der Seitengriff kann auf beiden Seiten des Werkzeugs montiert werden.

Anbringen oder Abnehmen der Schleifscheibe

⚠ VORSICHT: Nur Schleifscheiben mit Klettverschluss verwenden. Niemals druckempfindliche Schleifscheiben verwenden.

► **Abb.9:** 1. Schleifscheibe

Zum Anbringen der Schleifscheibe oder des Klettverschluss-Schleiftellers (Sonderzubehör) müssen zuerst sämtliche Schmutzpartikel und Fremdkörper vom Schleifteller entfernt werden.

Dann die Schleifscheibe mithilfe des Klettverschlussystems von Schleifscheibe und Schleifteller am Schleifteller befestigen.

Achten Sie darauf, dass sich die Löcher in der Schleifscheibe mit denen im Schleifteller decken. Um die Schleifscheibe vom Schleifteller abzunehmen, ziehen Sie sie einfach am Rand hoch.

Auswechseln des Schleiftellers

⚠ VORSICHT: Vergewissern Sie sich, dass der neue Schleifteller sicher montiert ist. Anderenfalls kann sich der Schleifteller vom Werkzeug lösen und Personenschaden verursachen.

► **Abb.10:** 1. Random-Orbit-Modus mit Zwangsrotation
2. Spindelarretierknopf 3. Schleifteller

Makita bietet ein umfangreiches Angebot an optionalen superweichen, weichen und harten Schleiftellern. Gehen Sie zum Auswechseln des Schleiftellers wie folgt vor:

1. Wählen Sie mit dem Betriebsartenknopf den Random-Orbit-Modus mit Zwangsrotation.
2. Halten Sie den Spindelarretierknopf gedrückt, und entfernen Sie den Schleifteller durch Drehen entgegen dem Uhrzeigersinn.
3. Halten Sie den Spindelarretierknopf weiterhin gedrückt, und bringen Sie einen neuen Schleifteller an, indem Sie ihn durch Drehen im Uhrzeigersinn festziehen.

Absaugstutzen

⚠ VORSICHT: Vergewissern Sie sich nach dem Anbringen des Absaugstutzens, dass die Schraube fest angezogen ist. Anderenfalls kann der Absaugstutzen herunterfallen und Personenschäden verursachen.

ANMERKUNG: Tragen Sie das Werkzeug nicht am Absaugstutzen. Anderenfalls kann das Werkzeug beschädigt werden.

Sie können den Absaugstutzen im Einklang mit der Arbeit abnehmen.

Zum Entfernen des Absaugstutzens die Schraube lösen, den Halterteil geringfügig öffnen, und den Absaugstutzen abnehmen.

Zum Anbringen des Absaugstutzens das Mundstück des Absaugstutzens in die Absaugöffnung des Gehäuses einführen, die Zunge des Halterteils auf die Führungsnut des Gehäuses ausrichten, und die Schraube anziehen.

► **Abb.11:** 1. Absaugstutzen 2. Absaugöffnung
3. Mundstück

► **Abb.12:** 1. Halterteil 2. Schraube

Staubabsaugung (Sonderzubehör)

► **Abb.13:** 1. Frontmanschette 2. Schlauch
3. Absaugöffnung

Wenn Sie einen Makita-Schlauch verwenden, können Sie die Frontmanschette 24 direkt an die Absaugöffnung anschließen.

BETRIEB

⚠ VORSICHT: Verwenden Sie nur Original-Makita-Schleifscheiben und Schleifteller für den Schleifer (Sonderzubehör).

⚠ VORSICHT: Schalten Sie das Werkzeug niemals ein, wenn es mit dem Werkstück in Berührung ist, weil sonst Verletzungsgefahr für die Bedienungsperson besteht.

⚠ VORSICHT: Vergewissern Sie sich, dass das Arbeitsmaterial gesichert und nicht instabil ist. Herunterfallende Objekte können Personenschaden verursachen.

⚠ VORSICHT: Halten Sie das Werkzeug während der Arbeit mit der einen Hand am Schaltergriff und mit der anderen Hand am Frontgriff (oder Seitengriff) fest.

ANMERKUNG: Achten Sie darauf, dass Sie den Spindelarretierknopf nicht niederdrücken.

Dadurch kann die Lebensdauer des Werkzeugs verkürzt werden.

ANMERKUNG: Unterlassen Sie jegliche Gewaltanwendung. Übermäßiger Druck kann die Schleif-/Polierleistung verschlechtern, die Schleifscheibe/den Schleifteller beschädigen oder die Lebensdauer des Werkzeugs verkürzen.

Schleifbetrieb

ANMERKUNG: Betreiben Sie das Werkzeug niemals ohne Schleifscheibe. Dadurch kann der Schleifteller schwer beschädigt werden.

► Abb.14

Halten Sie das Werkzeug mit festem Griff. Schalten Sie das Werkzeug ein und warten Sie, bis es seine volle Drehzahl erreicht. Setzen Sie dann das Werkzeug sachte auf die Werkstück-Oberfläche. Halten Sie den Schleifteller flach gegen das Werkstück, und üben Sie leichten Druck auf das Werkzeug aus.

Polierbetrieb

Sonderzubehör

ANMERKUNG: Durch fortgesetzten Betrieb mit hoher Drehzahl kann die Bearbeitungsfläche beschädigt werden.

► Abb.15

1. Wachs auftragen

Verwenden Sie die Schwammscheibe. Tragen Sie Wachs auf die Schwammscheibe oder die Bearbeitungsfläche auf. Betreiben Sie das Werkzeug mit niedriger Drehzahl, um das Wachs zu verteilen.

HINWEIS: Wachsen Sie zuerst einen unauffälligen Teil der Bearbeitungsfläche, um sicherzugehen, dass das Werkzeug die Oberfläche nicht verkratzt oder das Wachs ungleichmäßig verteilt.

2. Wachs entfernen

Verwenden Sie die Filzscheibe. Betreiben Sie das Werkzeug, um das Wachs zu entfernen.

3. Polieren

Die Wollscheibe sachte auf die Bearbeitungsfläche setzen.

WARTUNG

⚠VORSICHT: Vergewissern Sie sich vor der Durchführung von Überprüfungen oder Wartungsarbeiten des Werkzeugs stets, dass es ausgeschaltet und vom Stromnetz getrennt ist.

ANMERKUNG: Verwenden Sie auf keinen Fall Benzin, Waschbenzin, Verdünnern, Alkohol oder dergleichen. Solche Mittel können Verfärbung, Verformung oder Rissbildung verursachen.

Um die SICHERHEIT und ZUVERLÄSSIGKEIT dieses Produkts zu gewährleisten, sollten Reparaturen und andere Wartungs- oder Einstellarbeiten nur von Makita-Vertragswerkstätten oder Makita-Kundendienstzentren unter ausschließlicher Verwendung von Makita-Originalersatzteilen ausgeführt werden.

SONDERZUBEHÖR

⚠VORSICHT: Die folgenden Zubehörteile oder Vorrichtungen werden für den Einsatz mit dem in dieser Anleitung beschriebenen Makita-Werkzeug empfohlen. Die Verwendung anderer Zubehörteile oder Vorrichtungen kann eine Verletzungsgefahr darstellen. Verwenden Sie Zubehörteile oder Vorrichtungen nur für ihren vorgesehenen Zweck.

Wenn Sie weitere Einzelheiten bezüglich dieser Zubehörteile benötigen, wenden Sie sich bitte an Ihre Makita-Kundendienststelle.

- Schleifscheiben mit Klettverschluss (mit vorgestanzten Löchern)
- Schwammscheibe mit Klettverschluss
- Filzscheibe mit Klettverschluss
- Wollscheibe mit Klettverschluss
- Schleifteller 150 (superweich, weich, hart)
- Schleifteller 130 (Polieren)
- Seitengriff

HINWEIS: Manche Teile in der Liste können als Standardzubehör im Werkzeugsatz enthalten sein. Sie können von Land zu Land unterschiedlich sein.

DATI TECNICI

Modello:	BO6050
Diametro tampone	150 mm
Diametro disco abrasivo	150 mm
Orbite (giri) al minuto (min ⁻¹)	1.600-6.800
Lunghezza complessiva	330 mm
Peso netto	2,6 kg
Classe di sicurezza	Ⓜ/II

- In conseguenza del nostro programma di ricerca e sviluppo continui, i dati tecnici nel presente manuale sono soggetti a modifiche senza preavviso.
- I dati tecnici possono variare da nazione a nazione.
- Peso in conformità alla procedura EPTA 01/2003

Utilizzo previsto

Questo utensile serve alla smerigliatura di grandi superfici di legno, plastica e metallo, nonché di superfici verniciate.

Alimentazione

L'utensile deve essere collegato a una fonte di alimentazione con la stessa tensione indicata sulla targhetta del nome, e può funzionare solo a corrente alternata monofase. L'utensile è dotato di doppio isolamento, per cui può essere utilizzato con prese elettriche sprovviste di messa a terra.

Rumore

Livello tipico di rumore pesato A determinato in base allo standard EN60745:

Livello di pressione sonora (L_{pA}): 82 dB (A)

Livello di potenza sonora (L_{WA}): 93 dB (A)

Incertezza (K): 3 dB (A)

AVVERTIMENTO: Indossare protezioni per le orecchie.

Vibrazioni

Valore totale delle vibrazioni (somma vettoriale triassiale) determinato in base allo standard EN60745:

Modalità di lavoro: smerigliatura di piastre metalliche

Emissione di vibrazioni (a_h): 5,0 m/s²

Incertezza (K): 1,5 m/s²

Modalità di lavoro: lucidatura

Emissione di vibrazioni ($a_{h,AG}$): 3,0m/s²

Incertezza (K): 1,5 m/s²

NOTA: Il valore di emissione delle vibrazioni dichiarato è stato misurato in conformità al metodo standard di verifica, e può essere utilizzato per confrontare un utensile con un altro.

NOTA: Il valore di emissione delle vibrazioni dichiarato può venire utilizzato anche per una valutazione preliminare dell'esposizione.

AVVERTIMENTO: L'emissione delle vibrazioni durante l'utilizzo effettivo dell'utensile elettrico può variare rispetto al valore di emissione dichiarato, a seconda dei modi in cui viene utilizzato l'utensile.

AVVERTIMENTO: Accertarsi di identificare le misure di sicurezza per la protezione dell'operatore basate sulla stima dell'esposizione nelle condizioni effettive di utilizzo (tenendo presente tutte le parti del ciclo operativo, ad esempio le volte in cui l'utensile viene spento e quando gira a vuoto, oltre al tempo di attivazione).

Dichiarazione CE di conformità

Modello solo per le nazioni europee

Makita dichiara che la/le macchina/e seguente/i:

Designazione della macchina: Levigatrice rotorbitale N. modello/Tipo: BO6050

È conforme alle seguenti Direttive Europee: 2006/42/CE

È stata fabbricata in conformità allo standard e ai documenti standardizzati seguenti: EN60745

Il file tecnico in conformità alla normativa 2006/42/CE è disponibile presso:

Makita, Jan-Baptist Vinkstraat 2, 3070, Belgio
30.3.2015



Yasushi Fukaya

Amministratore

Makita, Jan-Baptist Vinkstraat 2, 3070, Belgio

Avvertenze generali relative alla sicurezza dell'utensile elettrico

AVVERTIMENTO: Leggere tutte le avvertenze relative alla sicurezza e tutte le istruzioni. La mancata osservanza delle avvertenze e delle istruzioni può risultare in scosse elettriche, incendi e/o gravi lesioni personali.

Conservare tutte le avvertenze e le istruzioni come riferimento futuro.

Il termine "utensile elettrico" nelle avvertenze si riferisce sia all'utensile elettrico (cablato) nel funzionamento alimentato da rete elettrica che all'utensile elettrico (a batteria) nel funzionamento alimentato a batteria.

Avvertenze di sicurezza relative alla levigatrice

1. **Utilizzare sempre occhiali oppure occhialoni di sicurezza. I normali occhiali o gli occhiali da sole NON sono occhiali di sicurezza.**
2. **Tenere saldamente l'utensile.**
3. **Non lasciare l'utensile mentre è in funzione. Far funzionare l'utensile solo mentre viene tenuto in mano.**
4. **Questo utensile non è impermeabile, pertanto non utilizzare acqua sulla superficie del pezzo.**
5. **Ventilare adeguatamente l'area di lavoro durante le operazioni di smerigliatura.**
6. **Alcuni materiali contengono sostanze chimiche che potrebbero essere tossiche. Adottare delle precauzioni per evitare l'inalazione o il contatto con la pelle delle polveri. Attenersi ai dati relativi alla sicurezza forniti dal produttore del materiale.**
7. **L'utilizzo del presente utensile per smerigliare alcuni prodotti, vernici e legni potrebbe esporre l'utente a polveri contenenti sostanze pericolose. Utilizzare protezioni appropriate per le vie respiratorie.**
8. **Accertarsi che sul tampone non siano presenti fessurazioni o spaccature prima di utilizzarlo. Un pezzo che presenti fessurazioni o spaccature potrebbe causare lesioni personali.**

CONSERVARE LE PRESENTI ISTRUZIONI.

⚠AVVERTIMENTO: NON lasciare che comodità o la familiarità d'utilizzo con il prodotto (acquisita con l'uso ripetuto) sostituisca la stretta osservanza delle norme di sicurezza per il prodotto in questione. L'USO IMPROPRIO o la mancata osservanza delle norme di sicurezza indicate nel presente manuale di istruzioni potrebbero causare gravi lesioni personali.

DESCRIZIONE DELLE FUNZIONI

⚠ATTENZIONE: Accertarsi sempre che l'utensile sia spento e scollegato dall'alimentazione prima di regolare o controllare le sue funzioni.

Utilizzo dell'interruttore

⚠ATTENZIONE: Prima di collegare l'utensile alla presa elettrica, accertarsi sempre che l'interruttore scorrevole funzioni correttamente e che torni sulla posizione "OFF" quando si preme la parte posteriore dell'interruttore scorrevole.

⚠ATTENZIONE: Quando si intende bloccare l'utensile in posizione "ON", fare attenzione e mantenere una salda presa sull'utensile.

Per avviare l'utensile, far scorrere l'interruttore scorrevole verso la posizione "I (ON)". Per il funzionamento continuo, premere la parte anteriore dell'interruttore scorrevole per bloccarla.

► Fig.1: 1. Interruttore scorrevole

Per arrestare l'utensile, premere la parte posteriore dell'interruttore scorrevole, quindi farla scorrere verso la posizione "O (OFF)".

► Fig.2: 1. Interruttore scorrevole

Selettore di regolazione della velocità

► Fig.3: 1. Selettore di regolazione della velocità

È possibile modificare la velocità di rotazione ruotando il selettore di regolazione della velocità su un'impostazione numerica specifica da 1 a 5. Si ottiene una maggiore velocità ruotando il selettore in direzione del numero 5. Si ottiene, invece, una minore velocità ruotando il selettore in direzione del numero 1. Per il rapporto tra le impostazioni numeriche sul selettore e la velocità di rotazione approssimativa, fare riferimento alla tabella.

Numero	Orbite (giri) al minuto	Velocità di rotazione al minuto del tampone in modalità orbitale casuale con rotazione forzata
1	1.600	140
2	2.900	260
3	4.200	370
4	5.500	490
5	6.800	600

AVVISO: Qualora l'utensile venga fatto funzionare in maniera continuativa a basse velocità per un periodo di tempo prolungato, il motore si sovraccarica causando il malfunzionamento dell'utensile.

AVVISO: È possibile ruotare il selettore di regolazione della velocità solo fino a 5 e indietro fino a 1. Non forzare il selettore oltre il numero 5 o il numero 1; in caso contrario, la funzione di regolazione della velocità potrebbe non essere più utilizzabile.

Funzione elettronica

Gli utensili dotati di funzione elettronica sono di semplice utilizzo, grazie alle funzionalità seguenti.

Controllo costante della velocità

Possibilità di ottenere una finitura precisa, poiché la velocità di rotazione viene mantenuta costante anche in condizione di carico.

Funzione di avvio morbido

Avvio morbido, grazie alla soppressione dell'impatto di avvio.

Selezione della modalità operativa

Utilizzare la manopola di variazione per cambiare la modalità di rotazione.

AVVISO: Ruotare sempre completamente la manopola. Qualora la manopola si trovi in posizione centrale, non è possibile avviare l'utensile.

NOTA: Non è possibile modificare la modalità operativa quando l'utensile è acceso.

Modalità orbitale casuale con rotazione forzata

► Fig.4: 1. Manopola di variazione

La modalità orbitale casuale con rotazione forzata consiste nel funzionamento orbitale con rotazione forzata del tampone, per la smerigliatura grossolana e la lucidatura.

Ruotare la manopola di variazione in senso antiorario per la modalità orbitale casuale con rotazione forzata.

Modalità orbitale casuale

► Fig.5: 1. Manopola di variazione

La modalità orbitale casuale consiste nel funzionamento orbitale con rotazione libera del tampone, per la smerigliatura fine.

Ruotare la manopola di variazione in senso orario per la modalità orbitale casuale.

Applicazioni tipiche di smerigliatura e lucidatura

Smerigliatura

Materiale	Usò	Selezione della modalità		Impostazione del controllo della velocità	Tampone
		Orbitale casuale con rotazione forzata	Casuale		
Parti verniciate	Smerigliatura	-	○	1 - 3	Morbido
	Riparazioni (graffi, punti arrugginiti)	○		2 - 3	Duro
	Sverniciatura grossolana	○	-	4 - 5	Morbido

Materiale	Usò	Selezione della modalità		Impostazione del controllo della velocità	Tampone
		Orbitale casuale con rotazione forzata	Casuale		
Plastiche	Plastiche morbide (PVC/ABS)	○		1 - 3	Extra-morbido/Morbido
	Plastiche dure (FRP)	○	-	1 - 3	Morbido/Duro
Legni	Legno dolce	-	○	1 - 3	Extra-morbido/Morbido
	Legno duro	○		3 - 5	Morbido
	Impiallaccature	-	○	1 - 2	Extra-morbido
Metalli	Metalli non ferrosi (alluminio, rame)	○		1 - 3	Morbido
	Acciaio	○	-	3 - 5	Morbido/Duro
	Acciaio, rimozione ruggine	○	-	4 - 5	Extra-morbido
	Metallo duro (acciaio inossidabile)	○	-	4 - 5	Morbido

Lucidatura

Usò	Selezione della modalità	Impostazione del controllo della velocità	Tampone
Applicazione cera	Orbitale casuale con rotazione forzata	2 - 4	Tampone in spugna
Rimozione cera	Orbitale casuale con rotazione forzata	4 - 5	Tampone in feltro
Lucidatura	Orbitale casuale con rotazione forzata	4 - 5	Tampone in lana

Le informazioni riportate sopra sono intese solo come guida. In ciascun caso, occorre stabilire mediante delle prove preliminari la grana più appropriata del disco di smerigliatura.

Protezione

► Fig.6: 1. Protezione

Quando si lavora in prossimità di una parete, la

protezione evita che il tampone, il corpo dell'utensile e la parete stessa vengano danneggiati. Utilizzare sempre la protezione durante il lavoro.

Per installare la protezione, allineare la linguetta della protezione con la scanalatura, quindi spingere verso l'interno la protezione.

Per rimuovere la protezione, tirarla in avanti.

► **Fig.7:** 1. Protezione 2. Scanalatura

MONTAGGIO

⚠ATTENZIONE: Accertarsi sempre che l'utensile sia spento e scollegato dall'alimentazione elettrica, prima di effettuare qualsiasi intervento su di esso.

Installazione dell'impugnatura laterale

► **Fig.8:** 1. Impugnatura laterale

Avvitare saldamente l'impugnatura laterale sull'utensile. È possibile installare l'impugnatura laterale da entrambi i lati dell'utensile.

Installazione o rimozione del disco abrasivo

⚠ATTENZIONE: Utilizzare sempre dischi abrasivi con sistema di adesione a contatto. Non utilizzare mai dischi abrasivi sensibili alla pressione.

► **Fig.9:** 1. Disco abrasivo

Per installare il disco abrasivo o il tampone con sistema di adesione a contatto (accessorio opzionale), rimuovere innanzitutto ogni traccia di sporco e sostanze estranee dal tampone.

Quindi, fissare il disco abrasivo al tampone utilizzando il sistema di adesione a contatto del disco abrasivo e del tampone.

Allineare con cura i fori del disco abrasivo con quelli del tampone.

Per rimuovere il disco dal tampone, tirarlo semplicemente verso l'alto dal suo bordo.

Sostituzione del tampone

⚠ATTENZIONE: Accertarsi che il nuovo tampone sia installato saldamente. In caso contrario, il tampone potrebbe staccarsi dall'utensile e causare lesioni personali.

► **Fig.10:** 1. Modalità orbitale casuale con rotazione forzata 2. Pulsante di blocco dell'albero 3. Tampone

Makita offre un'ampia gamma di tamponi opzionali extramorbidi, morbidi e duri.

Per sostituire il tampone, attenersi alla procedura seguente:

1. Utilizzare la manopola di variazione e cambiare la modalità su quella orbitale casuale con rotazione forzata.

2. Premere e tenere premuto il pulsante di blocco dell'albero, quindi rimuovere il tampone ruotando quest'ultimo in senso antiorario.
3. Continuare a tenere premuto il pulsante di blocco dell'albero, quindi installare un nuovo tampone ruotando quest'ultimo saldamente in senso orario.

Boccaglio delle polveri

⚠ATTENZIONE: Accertarsi che il bullone sia serrato saldamente dopo aver installato il boccaglio delle polveri. In caso contrario, il boccaglio delle polveri potrebbe cadere e causare lesioni personali.

AVVISO: Non trasportare l'utensile tenendolo per il boccaglio delle polveri. In caso contrario, l'utensile potrebbe venire danneggiato.

È possibile rimuovere il boccaglio delle polveri a seconda del tipo di utilizzo.

Per rimuovere il boccaglio delle polveri, allentare il bullone, aprire leggermente la parte di supporto e rimuovere il boccaglio delle polveri.

Per installare il boccaglio delle polveri, inserire la bocchetta del boccaglio delle polveri nello scarico delle polveri del corpo dell'utensile, allineare la linguetta della parte di supporto con la scanalatura dell'alloggiamento e serrare il bullone.

► **Fig.11:** 1. Boccaglio delle polveri 2. Scarico delle polveri 3. Bocchetta

► **Fig.12:** 1. Parte di supporto 2. Bullone

Raccolta delle polveri (mediante accessorio opzionale)

► **Fig.13:** 1. Manicotto anteriore 24 2. Tubo flessibile 3. Scarico delle polveri

Se si utilizza un tubo flessibile Makita, è possibile collegare il manicotto anteriore 24 direttamente allo scarico delle polveri.

FUNZIONAMENTO

⚠ATTENZIONE: Utilizzare esclusivamente dischi abrasivi e tamponi originali Makita per la levigatrice (accessori opzionali).

⚠ATTENZIONE: Non accendere mai l'utensile quando è in contatto con il pezzo, poiché, in caso contrario, potrebbe causare lesioni personali all'operatore.

⚠ATTENZIONE: Accertarsi che il materiale in lavorazione sia fissato saldamente e non sia instabile. La caduta di oggetti potrebbe causare lesioni personali.

⚠ATTENZIONE: Mantenere saldamente l'utensile con una mano sulla maniglia con l'interruttore e l'altra mano sull'impugnatura anteriore (o sulla maniglia laterale) quando si utilizza l'utensile.

AVVISO: Fare attenzione a non premere il pulsante di blocco dell'albero. In caso contrario, si potrebbe ridurre la vita utile dell'utensile.

AVVISO: Non forzare mai l'utensile. Una pressione eccessiva potrebbe ridurre l'efficienza di smerigliatura e di lucidatura, danneggiare il disco abrasivo e il tampone o ridurre la vita utile dell'utensile.

Operazione di smerigliatura

AVVISO: Non far funzionare mai l'utensile senza il disco abrasivo. In caso contrario, si potrebbe danneggiare seriamente il tampone.

► Fig.14

Tenere saldamente l'utensile. Accendere l'utensile e attendere che raggiunga la piena velocità. Quindi, appoggiare delicatamente l'utensile sulla superficie del pezzo. Mantenere il tampone a raso sul pezzo e applicare una leggera pressione sull'utensile.

Operazione di lucidatura

Accessorio opzionale

AVVISO: Il funzionamento continuo ad alta velocità potrebbe danneggiare la superficie in lavorazione.

► Fig.15

1. Applicazione della cera

Utilizzare il tampone in spugna. Stendere la cera sul tampone in spugna o sulla superficie in lavorazione. Far funzionare l'utensile a bassa velocità per distribuire uniformemente la cera.

NOTA: Inizialmente, applicare la cera su una parte non importante della superficie in lavorazione, per accertarsi che l'utensile non graffi la superficie e non applichi la cera in modo disomogeneo.

2. Rimozione della cera

Utilizzare il tampone in feltro. Far funzionare l'utensile per rimuovere la cera.

3. Lucidatura

Applicare delicatamente il tampone in lana sulla superficie in lavorazione.

MANUTENZIONE

ATTENZIONE: Accertarsi sempre che l'utensile sia spento e scollegato dall'alimentazione elettrica, prima di tentare di eseguire interventi di ispezione o manutenzione.

AVVISO: Non utilizzare mai benzina, benzene, solventi, alcol o altre sostanze simili. In caso contrario, si potrebbero causare scolorimenti, deformazioni o crepe.

Per preservare la SICUREZZA e l'AFFIDABILITÀ del

prodotto, le riparazioni e qualsiasi altro intervento di manutenzione e di regolazione devono essere eseguiti da un centro di assistenza autorizzato Makita, utilizzando sempre ricambi Makita.

ACCESSORI OPZIONALI

ATTENZIONE: Questi accessori o componenti aggiuntivi sono consigliati per l'uso con l'utensile Makita specificato nel presente manuale. L'impiego di altri accessori o componenti aggiuntivi può costituire un rischio di lesioni alle persone. Utilizzare gli accessori o i componenti aggiuntivi solo per il loro scopo prefissato.

Per ottenere ulteriori dettagli relativamente a questi accessori, rivolgersi a un centro di assistenza Makita.

- Dischi abrasivi con sistema di adesione a contatto (preforati)
- Tampone in spugna con sistema di adesione a contatto
- Tampone in feltro con sistema di adesione a contatto
- Tampone in lana con sistema di adesione a contatto
- Tampone 150 (extramorbido, morbido, duro)
- Tampone 130 (per lucidare)
- Impugnatura laterale

NOTA: Alcuni articoli nell'elenco potrebbero essere inclusi nell'imballaggio dell'utensile come accessori standard. Tali articoli potrebbero variare da nazione a nazione.

TECHNISCHE GEGEVENS

Model:	BO6050
Diameter steunschijf	150 mm
Diameter schuurschijf	150 mm
Omwentelingen per minuut (min ⁻¹)	1.600 - 6.800
Totale lengte	330 mm
Nettogewicht	2,6 kg
Veiligheidsklasse	II/III

- In verband met ononderbroken research en ontwikkeling behouden wij ons het recht voor bovenstaande technische gegevens te wijzigen zonder voorafgaande kennisgeving.
- De technische gegevens kunnen van land tot land verschillen.
- Gewicht volgens de EPTA-procedure 01/2003

Gebruiksdoeleinden

Dit gereedschap is bedoeld voor het schuren van grote oppervlakken van hout-, kunststof- en metaalmaterialen, en ook geschilderde oppervlakken.

Voeding

Het gereedschap mag alleen worden aangesloten op een voeding van dezelfde spanning als aangegeven op het typeplaatje, en kan alleen worden gebruikt op enkelfase-wisselstroom. Het gereedschap is dubbel-geïsoleerd en kan derhalve ook op een niet-geaard stop-contact worden aangesloten.

Geluidsniveau

De typische, A-gewogen geluidsniveaus zijn gemeten volgens EN60745:

Geluidsdrukniveau (L_{pA}): 82 dB (A)

Geluidsvermogeniveau (L_{WA}): 93 dB (A)

Onzekerheid (K): 3 dB (A)

WAARSCHUWING: Draag gehoorbescherming.

Trilling

De totale trillingswaarde (triaxiale vectorsom) zoals vastgesteld volgens EN60745:

Gebruikstoepassing: schuren van metalen plaat

Trillingsemissie (a_h): 5,0 m/s²

Onzekerheid (K): 1,5 m/s²

Gebruikstoepassing: polijsten

Trillingsemissie (a_{h,AG}): 3,0m/s²

Onzekerheid (K): 1,5 m/s²

OPMERKING: De opgegeven trillingsemissiewaarde is gemeten volgens de standaardtestmethode en kan worden gebruikt om dit gereedschap te vergelijken met andere gereedschappen.

OPMERKING: De opgegeven trillingsemissiewaarde kan ook worden gebruikt voor een beoordeling vooraf van de blootstelling.

WAARSCHUWING: De trillingsemissie tijdens het gebruik van het elektrisch gereedschap in de praktijk kan verschillen van de opgegeven trillingsemissiewaarde afhankelijk van de manier waarop het gereedschap wordt gebruikt.

WAARSCHUWING: Zorg ervoor dat veiligheidsmaatregelen worden getroffen ter bescherming van de operator die zijn gebaseerd op een schatting van de blootstelling onder praktijkomstandigheden (rekening houdend met alle fasen van de bedrijfs-cyclus, zoals de tijdsduur gedurende welke het gereedschap is uitgeschakeld en stationair draait, naast de ingeschakelde tijdsduur).

EU-verklaring van conformiteit

Alleen voor Europese landen

Makita verklaart hierbij dat de volgende machine(s):

Aanduiding van de machine: Excenter schuurmachine
Modelnr./Type: BO6050

Voldoet aan de volgende Europese richtlijnen:

2006/42/EU

Ze zijn gefabriceerd in overeenstemming met de volgende norm of genormaliseerde documenten: EN60745
Het technisch documentatiebestand volgens 2006/42/EU is verkrijgbaar bij:

Makita, Jan-Baptist Vinkstraat 2, 3070, België
30.3.2015



Yasushi Fukaya

Directeur

Makita, Jan-Baptist Vinkstraat 2, 3070, België

Algemene veiligheidswaarschuwingen voor elektrisch gereedschap

⚠️ WAARSCHUWING: Lees alle veiligheids-
waarschuwingen en alle instructies. Het niet vol-
gen van de waarschuwingen en instructies kan leiden
tot elektrische schokken, brand en/of ernstig letsel.

Bewaar alle waarschuwingen en instructies om in de toekomst te kunnen raadplegen.

De term "elektrisch gereedschap" in de veiligheidsvoor-
schriften duidt op gereedschappen die op stroom van
het lichtnet werken (met snoer) of gereedschappen met
een accu (snoerloos).

Veiligheidswaarschuwingen voor schuurmachines

1. **Draag altijd een veiligheidsbril. Een gewone bril of een zonnebril is GEEN veiligheidsbril.**
2. **Houd het gereedschap stevig vast.**
3. **Laat het gereedschap niet ingeschakeld achter. Schakel het gereedschap alleen in wanneer u het vasthoudt.**
4. **Dit gereedschap is niet waterdicht. Besprenkel derhalve het werkstukoppervlak niet met water.**
5. **Zorg dat uw werkplaats goed geventileerd is wanneer u gaat schuren.**
6. **Sommige materialen bevatten chemische stoffen die giftig kunnen zijn. Neem voorzorgsmaatregelen tegen het inademen van stof en contact met de huid. Volg de veiligheidsinstructies van de leverancier van het materiaal op.**
7. **Als dit gereedschap wordt gebruikt voor het schuren van bepaalde producten, verflagen en hout, kan de gebruiker worden blootgesteld aan stof waarin gevaarlijke bestanddelen zitten. Gebruik geschikte ademhalingbeschermingsapparatuur.**
8. **Controleer voor het gebruik of de steunschijf niet gescheurd of gebroken is. Een gescheurde of gebroken steunschijf kan persoonlijk letsel veroorzaken.**

BEWAAR DEZE INSTRUCTIES.

⚠️ WAARSCHUWING: Laat u NIET misleiden door een vals gevoel van comfort en bekendheid met het gereedschap (na veelvuldig gebruik) en neem alle veiligheidsvoorschriften van het betreffende gereedschap altijd strikt in acht. **VERKEERD GEBRUIK** of het niet naleven van de veiligheidsvoorschriften in deze gebruiksaanwijzing kan leiden tot ernstig persoonlijk letsel.

BESCHRIJVING VAN DE FUNCTIES

⚠️ LET OP: Controleer altijd of het gereedschap is uitgeschakeld en de stekker ervan uit het stopcontact is verwijderd alvorens de functies op het gereedschap te controleren of af te stellen.

Werking van de schakelaar

⚠️ LET OP: Controleer altijd, voordat u het gereedschap inschakelt, of de schuifschakelaar op de juiste manier schakelt en weer terugkeert naar de uit-stand, wanneer op de achterkant van de schuifschakelaar wordt gedrukt.

⚠️ LET OP: Wanneer het gereedschap in de aan-stand wordt vergrendeld, gaat u voorzichtig te werk en houdt u het gereedschap stevig vast.

Om het gereedschap te starten, verschuift u de schuifschakelaar naar de aan-stand ("I"). Om het gereedschap continu te laten werken, drukt u op de voorkant van de schuifschakelaar om deze te vergrendelen.

► Fig.1: 1. Schuifschakelaar

Om het gereedschap te stoppen, drukt u op de achterkant van de schuifschakelaar en schuift u deze naar de uit-stand ("O").

► Fig.2: 1. Schuifschakelaar

Toerentalinstelknop

► Fig.3: 1. Toerentalinstelknop

U kunt de draaisnelheid veranderen door de toerentalinstelknop te draaien en in te stellen op een cijfer van 1 tot 5. Het toerental wordt hoger wanneer u de knop in de richting van het cijfer 5 draait. Het toerental wordt lager wanneer u deze in de richting van het cijfer 1 draait.

Zie de onderstaande tabel voor de verhouding tussen de cijfers op de knop en het toerental bij benadering.

Cijfer	Omwentelingen per minuut	Toerental per minuut van steunschijf in de functie excentrisch draaien met actieve aandrijving
1	1.600	140
2	2.900	260
3	4.200	370
4	5.500	490
5	6.800	600

KENNISGEVING: Als het gereedschap gedurende een lange tijd continu op een laag toerental wordt gebruikt, wordt de motor overbelast, waardoor het gereedschap defect raakt.

KENNISGEVING: De toerentalinstelknop kan slechts tot stand 5 worden gedraaid, en terug naar stand 1. Dwing hem niet tot voorbij stand 5 of stand 1 omdat dan de toerentalinstelfunctie mogelijk niet meer werkt.

Elektronische functie

Gereedschappen die zijn voorzien van een elektronische werking zijn eenvoudig te bedienen vanwege de volgende functie.

Constant-toerentalregeling

Maakt een gladde afwerking mogelijk omdat het toerental constant wordt gehouden, zelfs bij belasting.

Zachte-startfunctie

Maakt een zachte start mogelijk door onderdrukking van de aanloepschok.

De werkingsfunctie kiezen

Gebruik de keuzeknop om de rotatiefunctie te veranderen.

KENNISGEVING: Draai de knop altijd helemaal tot in een stand. Als de knop tussen twee standen in staat, kunt u het gereedschap niet inschakelen.

OPMERKING: U kunt de werkingsfunctie niet veranderen terwijl het gereedschap is ingeschakeld.

Functie excentrisch draaien met actieve aandrijving

► Fig.4: 1. Keuzeknop

De functie excentrisch draaien met actieve aandrijving zorgt voor ronddraaien met actieve aandrijving van de steunschijf voor grof schuren en polijsten. Draai de keuzeknop linksom voor de functie excentrisch draaien met actieve aandrijving.

Functie excentrisch draaien

► Fig.5: 1. Keuzeknop

De functie excentrisch draaien zorgt voor ronddraaien met vrije aandrijving van de steunschijf voor fijn schuren. Draai de keuzeknop rechtsom voor de functie excentrisch draaien.

Typische toepassingen voor schuren en polijsten

Schuren

Materiaal	Gebruik	Functie kiezen		Toerentalinstelling	Steunschijf
		Excentrisch draaien met actieve aandrijving	Excentrisch		
Verf	Schuren	-	○	1 - 3	Zacht
	Reparaties (krassen, roestplekken)		○	2 - 3	Hard
	Grof verf afschuren	○	-	4 - 5	Zacht
Kunststof	Zachte kunststof (PVC/ABS)		○	1 - 3	Zeer zacht/zacht
	Harde kunststof (FRP)	○	-	1 - 3	Zacht/hard
Hout	Zachthout	-	○	1 - 3	Zeer zacht/zacht
	Hardhout		○	3 - 5	Zacht
	Fineer	-	○	1 - 2	Zeer zacht
Metaal	Non-ferro metaal (aluminium, koper)		○	1 - 3	Zacht
	Staal	○	-	3 - 5	Zacht/hard
	Staal, roest verwijderen	○	-	4 - 5	Zeer zacht
	Hard metaal (roestvrij staal)	○	-	4 - 5	Zacht

Polijsten

Gebruik	Functie kiezen	Toerentalinstelling	Steunschijf
Was aanbrengen	Excentrisch draaien met actieve aandrijving	2 - 4	Schuimrubber polijstschijs
Was verwijderen	Excentrisch draaien met actieve aandrijving	4 - 5	Vilt polijstschijs

Gebruik	Functie kiezen	Toerentalinstelling	Steunschijf
Polijsen	Excentrisch draaien met actieve aandrijving	4 - 5	Wollen polijstschijs

Bovenstaande informatie is uitsluitend bedoeld als richtlijn. In elke situatie moet de meest geschikte korrelgrootte van de schuurschijf worden bepaald door vooraf op een proefstuk te werken.

Beschermer

► Fig.6: 1. Beschermer

De beschermer voorkomt dat de steunschijf, het gereedschapshuis en de muur worden beschadigd wanneer u vlakbij een muur werkt. Gebruik altijd de beschermer tijdens het werken.

Om de beschermer te monteren, lijnt u de lip van de beschermer uit met de groef en duwt u de beschermer erin.

Om de beschermer te verwijderen, trekt u de beschermer naar voren eraf.

► Fig.7: 1. Beschermer 2. Groef

MONTAGE

⚠ LET OP: Zorg altijd dat het gereedschap is uitgeschakeld en dat zijn stekker uit het stopcontact is verwijderd alvorens enig werk aan het gereedschap uit te voeren.

De zijhandgreep monteren

► Fig.8: 1. Zijhandgreep

Draai de zijhandgreep stevig op het gereedschap. De zijhandgreep kan aan beide zijkanten van het gereedschap worden gemonteerd.

Een schuurschijf aanbrengen of verwijderen

⚠ LET OP: Gebruik altijd schuurschijven van het klittenband-type. Gebruik nooit drukgevoelige schuurschijven.

► Fig.9: 1. Schuurschijf

Om de schuurschijf of de klittenband-type schijf (optioneel accessoire) aan te brengen, verwijdert u eerst al het vuil en vreemde stoffen vanaf de schijf.

Bevestig vervolgens de schuurschijf op de steunschijf door middel van het klittenband op de schuurschijf en steunschijf.

Zorg ervoor dat de gaten in de schuurschijf overeenkomen met de gaten in de steunschijf.

Om de schijf van de steunschijf af te halen, trekt u deze aan de rand omhoog.

De steunschijf verwisselen

⚠ LET OP: Zorg ervoor dat de nieuwe steunschijf stevig wordt aangebracht. Anders kan de steunschijf van het gereedschap los raken en persoonlijk letsel veroorzaken.

► Fig.10: 1. Functie excentrisch draaien met actieve aandrijving 2. Asvergrendelknop 3. Steunschijf

Makita levert een uitgebreid programma aan optionele zeer zachte, zachte en harde steunschijven.

Op de steunschijf te vervangen, gaat u als volgt te werk:

1. Draai de keuzeknop naar de functie excentrisch draaien met actieve aandrijving.
2. Houd de asvergrendelknop ingedrukt en draai de steunschijf linksom om hem te verwijderen.
3. Blijf de asvergrendelknop ingedrukt houden en breng een nieuwe steunschijf aan door deze stevig rechtsom te draaien.

Stofuitlaat

⚠ LET OP: Zorg ervoor dat de bout stevig vastgedraaid is nadat de stofuitlaat is aangebracht. Anders kan de stofuitlaat vallen en persoonlijk letsel veroorzaken.

KENNISGEVING: Draag het gereedschap niet aan de stofuitlaat. Anders kan het gereedschap worden beschadigd.

U kunt de stofuitlaat verwijderen overeenkomstig het gebruik.

Om de stofuitlaat te verwijderen, draait u de bout los, opent u de klem iets en verwijdert u de stofuitlaat.

Om de stofuitlaat aan te brengen, steekt u de mond van de stofuitlaat in de stofafzuigaansluitmond van het gereedschapshuis, lijnt u de bek van de klem uit met de groeven in het gereedschapshuis en draait u de bout vast.

► Fig.11: 1. Stofuitlaat 2. Stofafzuigaansluitmond 3. Mond

► Fig.12: 1. Klem 2. Bout

Stofafzuiging (optioneel accessoire)

► Fig.13: 1. Slangkoppeling 24 2. Slang 3. Stofafzuigaansluitmond

Als een slang van Makita wordt gebruikt, kunt u de slangkoppeling 24 rechtstreeks aansluiten op de stofafzuigaansluitmond.

BEDIENING

⚠ LET OP: Gebruik uitsluitend originele schuur-schijven en steunschijven (optionele accessoires) van Makita voor uw schuurmachine.

⚠ LET OP: Schakel het gereedschap nooit in terwijl deze het werkstuk raakt omdat hierdoor de gebruiker kan worden verwond.

⚠ LET OP: Zorg ervoor dat het werkstuk is vastgezet en niet instabiel is. Een vallend voorwerp kan persoonlijk letsel veroorzaken.

⚠ LET OP: Houd het gereedschap stevig vast met één hand aan de schakelaarhandgreep en de andere hand aan de voorhandgreep (of zijhandgreep) tijdens het gebruik van het gereedschap.

KENNISGEVING: Wees voorzichtig dat u niet per ongeluk de asvergrendelknop indrukt. Hierdoor kan de levensduur van het gereedschap worden verkort.

KENNISGEVING: Forceer nooit het gereedschap. Door buitensporige druk kan de efficiëntie van het schuren of polijsten lager worden, de schuur-schijf of steunschijf beschadigd raken, en de levensduur van het gereedschap verkort worden.

Schuren

KENNISGEVING: Gebruik het gereedschap nooit zonder een schuur-schijf. U kunt de steunschijf ernstig beschadigen.

► Fig.14

Houd het gereedschap stevig vast. Schakel het gereedschap in en wacht totdat het op maximaal toerental draait. Plaats daarna het gereedschap voorzichtig op het werkstukoppervlak. Houd de steunschijf evenwijdig aan het werkstuk en oefen lichte druk uit op het gereedschap.

Polijsten

Optioneel accessoire

KENNISGEVING: Continu gebruik op hoog toerental kan het werkstukoppervlak beschadigen.

► Fig.15

1. Was aanbrengen

Gebruik de schuimrubber polijstschild. Breng was aan op de schuimrubber polijstschild of op het werkstukoppervlak. Laat het gereedschap op een laag toerental draaien om de was glad te strijken.

OPMERKING: Was eerst een onopvallend gedeelte van het werkstukoppervlak om er zeker van te zijn dat het gereedschap geen krassen maakt in het oppervlak en dat de was niet ongelijkmatig wordt uitgestreken.

2. Was verwijderen

Gebruik de vilten polijstschild. Laat het gereedschap draaien om de was te verwijderen.

3. Polijsten

Plaats de wollen polijstschild voorzichtig op het werkstukoppervlak.

ONDERHOUD

⚠ LET OP: Zorg altijd dat het gereedschap is uitgeschakeld en zijn stekker uit het stopcontact is verwijderd alvorens te beginnen met inspectie of onderhoud.

KENNISGEVING: Gebruik nooit benzine, wasbenzine, thinner, alcohol en dergelijke. Hierdoor kunnen verkleuring, vervormingen en barsten worden veroorzaakt.

Om de VEILIGHEID en BETROUWBAARHEID van het gereedschap te handhaven, dienen alle reparaties, onderhoud of afstellingen te worden uitgevoerd bij een erkend Makita-servicecentrum of de Makita-fabriek, en altijd met gebruik van Makita-vervangingsonderdelen.

OPTIONELE ACCESSOIRES

⚠ LET OP: Deze accessoires of hulpstukken worden aanbevolen voor gebruik met het Makita gereedschap dat in deze gebruiksaanwijzing is beschreven. Bij gebruik van andere accessoires of hulpstukken bestaat het gevaar van persoonlijke letsel. Gebruik de accessoires of hulpstukken uitsluitend voor hun bestemde doel.

Wenst u meer bijzonderheden over deze accessoires, neem dan contact op met het plaatselijke Makita-servicecentrum.

- Klittenband-type schuur-schijven (voorzien van gaten)
- Klittenband-type schuimrubber polijstschild
- Klittenband-type vilten polijstschild
- Klittenband-type wollen polijstschild
- Steunschijf 150 (zeer zacht, zacht, hard)
- Steunschijf 130 (polijsten)
- Zijhandgreep

OPMERKING: Sommige items op de lijst kunnen zijn inbegrepen in de doos van het gereedschap als standaard toebehoren. Deze kunnen van land tot land verschillen.

ESPECIFICACIONES

Modelo:	BO6050
Diámetro de la almohadilla	150 mm
Diámetro del disco abrasivo	150 mm
Órbitas por minuto (min ⁻¹)	1.600-6.800
Longitud total	330 mm
Peso neto	2,6 kg
Clase de seguridad	Ⓜ/II

- Debido a nuestro continuado programa de investigación y desarrollo, las especificaciones aquí dadas están sujetas a cambios sin previo aviso.
- Las especificaciones pueden ser diferentes de país a país.
- Peso de acuerdo con el procedimiento EPTA 01/2003

Uso previsto

La herramienta ha sido diseñada para lijar superficies grandes de madera, plástico y materiales metálicos, así como también superficies pintadas.

Alimentación

La herramienta deberá ser conectada solamente a una fuente de alimentación de la misma tensión que la indicada en la placa de características, y solamente puede ser utilizada con alimentación de CA monofásica. La herramienta tiene doble aislamiento y puede, por lo tanto, utilizarse también en tomas de corriente sin conductor de tierra.

Ruido

El nivel de ruido A-ponderado típico determinado de acuerdo con la norma EN60745:

Nivel de presión sonora (L_{pA}): 82 dB (A)

Nivel de potencia sonora (L_{WA}): 93 dB (A)

Error (K): 3 dB (A)

⚠ ADVERTENCIA: Póngase protectores para oídos.

Vibración

El valor total de la vibración (suma de vectores triaxiales) determinado de acuerdo con la norma EN60745:

Modo de trabajo: lijado de placas metálicas

Emisión de vibración (a_h): 5,0 m/s²

Error (K): 1,5 m/s²

Modo de trabajo: pulido

Emisión de vibración ($a_{h,AG}$): 3,0m/s²

Error (K): 1,5 m/s²

NOTA: El valor de emisión de vibración declarado ha sido medido de acuerdo con el método de prueba estándar y se puede utilizar para comparar una herramienta con otra.

NOTA: El valor de emisión de vibración declarado también se puede utilizar en una valoración preliminar de exposición.

⚠ ADVERTENCIA: La emisión de vibración durante la utilización real de la herramienta eléctrica puede variar del valor de emisión declarado dependiendo de las formas en las que la herramienta sea utilizada.

⚠ ADVERTENCIA: Asegúrese de identificar medidas de seguridad para proteger al operario que estén basadas en una estimación de la exposición en las condiciones reales de utilización (teniendo en cuenta todas las partes del ciclo operativo como las veces cuando la herramienta está apagada y cuando está funcionando en vacío además del tiempo de gatillo).

Declaración de conformidad CE

Para países europeos solamente

Makita declara que la(s) máquina(s) siguiente(s):

Designación de máquina: Lijadora Orbital

Modelo N°/ Tipo: BO6050

Cumplen con las directivas europeas siguientes:

2006/42/CE

Están fabricadas de acuerdo con las normas o documentos normalizados siguientes: EN60745

El archivo técnico de acuerdo con la norma 2006/42/CE está disponible en:

Makita, Jan-Baptist Vinkstraat 2, 3070, Bélgica
30.3.2015



Yasushi Fukaya

Director

Makita, Jan-Baptist Vinkstraat 2, 3070, Bélgica

Advertencias de seguridad para herramientas eléctricas en general

⚠ ADVERTENCIA: Lea todas las advertencias de seguridad y todas las instrucciones. Si no sigue las advertencias e instrucciones podrá resultar en una descarga eléctrica, un incendio y/o heridas graves.

Guarde todas las advertencias e instrucciones para futuras referencias.

El término "herramienta eléctrica" en las advertencias se refiere a su herramienta eléctrica de funcionamiento con conexión a la red eléctrica (con cable) o herramienta eléctrica de funcionamiento a batería (sin cable).

Advertencias de seguridad para la lijadora

1. **Utilice siempre gafas de seguridad o gafas de protección. Las gafas normales o de sol NO son gafas de seguridad.**
2. **Sujete la herramienta firmemente.**
3. **No deje la herramienta en funcionamiento. Téngala la herramienta encendida solamente cuando la tenga en las manos.**
4. **Esta herramienta no es a prueba de agua; por lo tanto no utilice agua en la superficie de la pieza de trabajo.**
5. **Ventile adecuadamente su área de trabajo cuando realice operaciones de lijado.**
6. **Algunos materiales contienen sustancias químicas que podrán ser tóxicas. Tenga precaución para evitar la inhalación de polvo y el contacto con la piel. Siga los datos de seguridad del abastecedor del material.**
7. **La utilización de esta herramienta para lijar algunos productos, pinturas y madera podrá exponer al usuario a polvo que contenga sustancias peligrosas. Utilice protección respiratoria apropiada.**
8. **Asegúrese de que no hay grietas o roturas en la almohadilla antes de utilizarla. Las grietas o roturas pueden ocasionar heridas personales.**

GUARDE ESTAS INSTRUCCIONES.

⚠️ ADVERTENCIA: NO deje que la comodidad o familiaridad con el producto (a base de utilizarlo repetidamente) sustituya la estricta observancia de las normas de seguridad para el producto en cuestión. El MAL USO o el no seguir las normas de seguridad establecidas en este manual de instrucciones podrá ocasionar graves heridas personales.

DESCRIPCIÓN DEL FUNCIONAMIENTO

⚠️ PRECAUCIÓN: Asegúrese siempre de que la herramienta está apagada y desenchufada antes de intentar realizar cualquier tipo de ajuste o comprobación en ella.

Accionamiento del interruptor

⚠️ PRECAUCIÓN: Antes de enchufar la herramienta, compruebe siempre para ver si el interruptor deslizable se acciona correctamente y vuelve a la posición "Apagada" cuando se presiona la parte trasera del interruptor deslizable.

⚠️ PRECAUCIÓN: Cuando bloquee la herramienta en la posición "Encendida" tenga precaución y mantenga empuñada firmemente la herramienta.

Para poner en marcha la herramienta, deslice el interruptor deslizable hacia la posición "I (Encendida)". Para operación continua, presione la parte delantera del interruptor deslizable y bloquéelo.

► Fig.1: 1. Interruptor deslizable

Para parar la herramienta, presione la parte trasera del interruptor deslizable, después deslícelo hacia la posición "O (Apagada)".

► Fig.2: 1. Interruptor deslizable

Dial de ajuste de la velocidad

► Fig.3: 1. Dial de ajuste de la velocidad

La velocidad de giro se puede cambiar girando el dial de ajuste de la velocidad hasta un número de ajuste dado de 1 a 5. Se obtiene velocidad más alta cuando el dial es girado en la dirección del número 5. Y se obtiene velocidad más baja cuando es girado en la dirección del número 1.

Consulte la tabla para ver la relación entre los ajustes numéricos del dial y la velocidad de giro aproximada.

Número	Órbitas por minuto	Velocidad de giro de la almohadilla por minuto en modo de órbitas aleatorias con giro forzado
1	1.600	140
2	2.900	260
3	4.200	370
4	5.500	490
5	6.800	600

AVISO: Si la herramienta es utilizada continuamente a velocidades bajas durante largo tiempo, el motor se sobrecargará, resultando en un mal funcionamiento de la herramienta.

AVISO: El dial de ajuste de la velocidad se puede girar solamente hasta 5 y de vuelta a 1. No lo fuerce más allá de 5 o 1, o la función de ajuste de velocidad podrá dejar de funcionar.

Función electrónica

Las herramientas equipadas con función electrónica son fáciles de utilizar gracias a las características siguientes.

Control de velocidad constante

Se puede obtener un acabado fino, porque la velocidad de giro se mantiene constante incluso en condición de carga.

Característica de inicio suave

Inicio suave gracias a la supresión del golpe de arranque.

Selección del modo de accionamiento

Utilice el pomo de cambio para cambiar el modo de giro.

AVISO: Gire siempre el pomo completamente. Si el pomo está en la posición del medio, usted no podrá encender la herramienta.

NOTA: El modo de accionamiento no se puede cambiar cuando la herramienta está encendida.

Modo de órbitas aleatorias con giro forzado

► Fig.4: 1. Pomo de cambio

El modo de órbitas aleatorias con giro forzado es un accionamiento orbital con giro forzado de la almohadilla para lijado basto y pulido.

Gire el pomo de cambio hacia la izquierda para el modo de órbitas aleatorias con giro forzado.

Modo de órbitas aleatorias

► Fig.5: 1. Pomo de cambio

El modo de órbitas aleatorias es un accionamiento orbital con giro libre de la almohadilla para lijado fino. Gire el pomo de cambio hacia la derecha para el modo de órbitas aleatorias.

Aplicaciones típicas para lijado y pulido

Lijado

Material	Utilización	Selección de modo		Ajuste de control de velocidad	Almohadilla
		Órbitas aleatorias con giro forzado	Aleatorio		
Pintura	Lijado	-	○	1 - 3	Blanda
	Reparaciones (arañazos, puntos oxidados)	○		2 - 3	Dura
	Raspado basto de pintura	○	-	4 - 5	Blanda

Material	Utilización	Selección de modo		Ajuste de control de velocidad	Almohadilla
		Órbitas aleatorias con giro forzado	Aleatorio		
Plásticos	Plásticos blandos (PVC/ABS)	○		1 - 3	Súper blanda/Blanda
	Plásticos duros (FRP)	○	-	1 - 3	Blanda/Dura
Maderas	Madera blanda	-	○	1 - 3	Súper blanda/Blanda
	Madera dura	○		3 - 5	Blanda
	Enchapados	-	○	1 - 2	Súper blanda
Metales	No ferrosos (aluminio, cobre)	○		1 - 3	Blanda
	Acero	○	-	3 - 5	Blanda/Dura
	Acero, eliminación de óxido	○	-	4 - 5	Súper blanda
	Metal duro (acero inoxidable)	○	-	4 - 5	Blanda

Pulido

Utilización	Selección de modo	Ajuste de control de velocidad	Almohadilla
Aplicación de cera	Órbitas aleatorias con giro forzado	2 - 4	Almohadilla de esponja
Eliminación de cera	Órbitas aleatorias con giro forzado	4 - 5	Almohadilla de fieltro
Pulido	Órbitas aleatorias con giro forzado	4 - 5	Almohadilla de lana

La información de arriba está pensada como guía solamente. En cada caso, el grano del disco de lijado más apropiado deberá ser determinado mediante pruebas preliminares.

Protector

► Fig.6: 1. Protector

El protector evita que la almohadilla, la carcasa de la herramienta y la pared sean dañadas cuando se trabaja cerca de una pared. Utilice siempre el protector cuando trabaje. Para instalar el protector, alinee la lengüeta del protector con la ranura, y empuje hacia dentro el protector. Para retirar el protector, tire del protector hacia delante.

► Fig.7: 1. Protector 2. Ranura

MONTAJE

⚠PRECAUCIÓN: Asegúrese siempre de que la herramienta está apagada y desenchufada antes de realizar cualquier trabajo en la herramienta.

Instalación de la empuñadura lateral

► Fig.8: 1. Empuñadura lateral

Rosque la empuñadura lateral en la herramienta firmemente. La empuñadura lateral se puede instalar en cualquiera de los lados de la herramienta.

Instalación o desmontaje del disco abrasivo

⚠PRECAUCIÓN: Utilice siempre discos abrasivos de sistema gancho-y-lazo. No utilice nunca discos abrasivos autoadhesivos.

► Fig.9: 1. Disco abrasivo

Para instalar el disco abrasivo o la almohadilla de tipo gancho-y-lazo (accesorio opcional), primero retire toda la suciedad y materia extraña de la almohadilla. Después coloque el disco abrasivo en la almohadilla, utilizando el sistema gancho-y-lazo del disco abrasivo y la almohadilla.

Tenga cuidado de alinear los agujeros del disco abrasivo con los de la almohadilla.

Para retirar el disco de la almohadilla, simplemente tire de él desde su borde.

Cambio de almohadilla

⚠PRECAUCIÓN: Asegúrese de que la almohadilla nueva está instalada firmemente. De lo contrario la almohadilla podrá soltarse de la herramienta y ocasionar heridas personales.

► Fig.10: 1. Modo de órbitas aleatorias con giro forzado 2. Botón de bloqueo del eje 3. Almohadilla

Makita ofrece una extensa gama de almohadillas súper blandas, blandas y duras opcionales.

Para cambiar la almohadilla, realice lo siguiente:

1. Utilice el pomo de cambio y cambie el modo a modo de órbitas aleatorias con giro forzado.
2. Mantenga presionado el botón de bloqueo del eje, y retire la almohadilla girando la almohadilla hacia la izquierda.
3. Siga manteniendo presionado el botón de bloqueo del eje, e instale una almohadilla nueva girando la almohadilla hacia la derecha firmemente.

Tobera de polvo

⚠PRECAUCIÓN: Asegúrese de que el perno está apretado firmemente después de instalar la tobera de polvo. De lo contrario la tobera de polvo podrá caerse y ocasionar heridas personales.

AVISO: No transporte la herramienta por la tobera de polvo. De lo contrario la herramienta podrá dañarse.

Puede retirar la tobera de polvo de acuerdo con la operación.

Para retirar la tobera de polvo, afloje el perno, abra ligeramente la parte del soporte, y retire la tobera de polvo. Para instalar la tobera de polvo, inserte la boca de la tobera de polvo en la salida de polvo de la carcasa, alinee la lengüeta de la parte del soporte con la ranura de la carcasa, y apriete el perno.

► Fig.11: 1. Tobera de polvo 2. Salida de polvo 3. Boca

► Fig.12: 1. Parte del soporte 2. Perno

Recogedor de polvo (accesorio opcional)

► Fig.13: 1. Manguito delantero de 24 2. Manguera 3. Salida de polvo

Si utiliza una manguera Makita, puede conectar el manguito delantero de 24 a la salida de polvo directamente.

OPERACIÓN

⚠PRECAUCIÓN: Utilice solamente discos abrasivos y almohadillas para lijadora genuinos de Makita (accesorios opcionales).

⚠PRECAUCIÓN: No encienda nunca la herramienta estando ésta en contacto con la pieza de trabajo, podrá ocasionar heridas al operario.

⚠PRECAUCIÓN: Asegúrese de que el material de trabajo está sujetado y no inestable. Un objeto que se cae puede ocasionar heridas personales.

⚠PRECAUCIÓN: Sujete la herramienta firmemente con una mano en el mango del interruptor y la otra en la empuñadura delantera (o mango lateral) cuando utilice la herramienta.

AVISO: Tenga cuidado de no presionar hacia abajo el botón de bloqueo del eje. Podrá acortar la vida de servicio de la herramienta.

AVISO: No fuerce nunca la herramienta. Una presión excesiva podrá reducir la eficacia del lijado / pulido, dañar el disco abrasivo / almohadilla o acortar la vida de servicio de la herramienta.

Operación de lijado

AVISO: No utilice nunca la herramienta sin el disco abrasivo. Podrá dañar seriamente la almohadilla.

► Fig.14

Sujete la herramienta firmemente. Encienda la herramienta y espere hasta que adquiera plena velocidad. Después coloque la herramienta con cuidado sobre la superficie de la pieza de trabajo. Mantenga la

almohadilla a ras con la pieza de trabajo y aplique una ligera presión sobre la herramienta.

Operación de pulido

Accesorios opcionales

AVISO: La operación continua a alta velocidad podrá dañar la superficie del trabajo.

► Fig.15

1. Aplicación de cera

Utilice la almohadilla de esponja. Aplique cera a la almohadilla de esponja, o a la superficie de trabajo. Utilice la herramienta a baja velocidad para suavizar la cera.

NOTA: Primero, encere una porción discreta de la superficie de trabajo para asegurarse de que la herramienta no raya la superficie o se produce un encerado desigual.

2. Eliminación de cera

Utilice la almohadilla de fieltro. Utilice la herramienta para quitar la cera.

3. Pulido

Aplique la almohadilla de lana suavemente a la superficie de trabajo.

agujeros preperforados)

- Almohadilla de esponja de tipo gancho-y-lazo
- Almohadilla de fieltro de tipo gancho-y-lazo
- Almohadilla de lana de tipo gancho-y-lazo
- Almohadilla de 150 (Súper blanda, blanda, dura)
- Almohadilla de 130 (Pulido)
- Empuñadura lateral

NOTA: Algunos elementos de la lista podrán estar incluidos en el paquete de la herramienta como accesorios estándar. Pueden variar de un país a otro.

MANTENIMIENTO

⚠PRECAUCIÓN: Asegúrese siempre de que la herramienta está apagada y desenchufada antes de intentar realizar la inspección o el mantenimiento.

AVISO: No utilice nunca gasolina, bencina, disolvente, alcohol o similares. Podría producir descoloración, deformación o grietas.

Para mantener la SEGURIDAD y FIABILIDAD del producto, las reparaciones, y cualquier otra tarea de mantenimiento o ajuste deberán ser realizadas en centros de servicio o de fábrica autorizados por Makita, empleando siempre repuestos Makita.

ACCESORIOS OPCIONALES

⚠PRECAUCIÓN: Estos accesorios o aditamentos están recomendados para su uso con la herramienta Makita especificada en este manual.

El uso de cualquier otro accesorio o aditamento puede suponer un riesgo de heridas personales. Utilice el accesorio o aditamento solamente con la finalidad indicada para el mismo.

Si necesita cualquier ayuda para más detalles en relación con estos accesorios, pregunte al centro de servicio Makita local.

- Discos abrasivos de tipo gancho-y-lazo (con

ESPECIFICAÇÕES

Modelo:	BO6050
Diâmetro da almofada	150 mm
Diâmetro do disco de lixa	150 mm
Órbitas por minuto (min ⁻¹)	1.600-6.800
Comprimento geral	330 mm
Peso líquido	2,6 kg
Classe de segurança	II/III

- Devido a um programa contínuo de pesquisa e desenvolvimento, estas especificações podem ser alteradas sem aviso prévio.
- As especificações podem variar de país para país.
- Peso de acordo com o Procedimento 01/2003 da EPTA (European Power Tool Association)

Utilização a que se destina

A ferramenta foi concebida para lixamento de grandes superfícies de materiais de madeira, plástico e metal assim como de superfícies pintadas.

Alimentação

A ferramenta só deve ser ligada a uma fonte de alimentação com a mesma tensão da indicada na placa de características, e só funciona com alimentação de corrente alterna (CA) monofásica. Tem um sistema de isolamento duplo e pode, por isso, utilizar tomadas sem ligação à terra.

Ruído

A característica do nível de ruído A determinado de acordo com a EN60745:

Nível de pressão acústica (L_{pA}): 82 dB (A)

Nível de potência acústica (L_{WA}): 93 dB (A)

Variabilidade (K): 3 dB (A)

AVISO: Utilize protetores auriculares.

Vibração

Valor total da vibração (soma vetorial tri-axial) determinado de acordo com a EN60745:

Modo de trabalho: lixamento de chapa metálica

Emissão de vibração (a_h): 5,0 m/s²

Variabilidade (K): 1,5 m/s²

Modo de trabalho: polimento

Emissão de vibração (a_h): 3,0 m/s²

Variabilidade (K): 1,5 m/s²

NOTA: O valor da emissão de vibração indicado foi medido de acordo com o método de teste padrão e pode ser utilizado para comparar duas ferramentas.

NOTA: O valor da emissão de vibração indicado pode também ser utilizado na avaliação preliminar da exposição.

AVISO: A emissão de vibração durante a utilização real da ferramenta elétrica pode diferir do valor de emissão indicado, dependendo das formas como a ferramenta é utilizada.

AVISO: Certifique-se de identificar as medidas de segurança para proteção do operador que sejam baseadas em uma estimativa de exposição em condições reais de utilização (considerando todas as partes do ciclo de operação, tal como quando a ferramenta está desligada e quando está a funcionar em marcha lenta além do tempo de acionamento).

Declaração de conformidade CE

Só para países Europeus

A Makita declara que a(s) seguinte(s) máquina(s):

Designação da ferramenta: Lixadeira Roto-Orbital

N.º / Tipo de modelo: BO6050

Em conformidade com as seguintes diretivas europeias: 2006/42/CE

São fabricadas de acordo com as seguintes normas ou documentos normalizados: EN60745

O ficheiro técnico, que está em conformidade com a 2006/42/CE, está disponível em:

Makita, Jan-Baptist Vinkstraat 2, 3070, Bélgica
30.3.2015



Yasushi Fukaya

Diretor

Makita, Jan-Baptist Vinkstraat 2, 3070, Bélgica

Avisos gerais de segurança para ferramentas elétricas

AVISO: Leia todos os avisos de segurança e todas as instruções. O não cumprimento de todos os avisos e instruções pode originar choque elétrico, incêndio e/ou ferimentos graves.

Guarde todos os avisos e instruções para futuras referências.

O termo "ferramenta elétrica" nos avisos refere-se às ferramentas elétricas ligadas à corrente elétrica (com cabo) ou às ferramentas elétricas operadas por meio de bateria (sem cabo).

Avisos de segurança sobre a lixadeira

1. Use sempre óculos de segurança ou de proteção. Os óculos normais ou de sol **NÃO** são óculos de segurança.
2. Segure a ferramenta com firmeza.
3. Não deixe a ferramenta a funcionar. Utilize a ferramenta apenas quando a estiver a segurar com a mão.
4. Esta ferramenta não é à prova de água, por isso, não utilize água na superfície da peça de trabalho.
5. Ventile a área de trabalho adequadamente quando executar operações de lixamento.
6. Alguns materiais contêm químicos que podem ser tóxicos. Tenha cuidado para evitar a inalação de pó e o contacto com a pele. Cumpra os dados de segurança do fornecedor do material.
7. A utilização da ferramenta para lixar determinados produtos, tintas e madeira pode expor o utilizador ao pó contendo substâncias nocivas. Use proteção respiratória adequada.
8. Antes de utilizar a ferramenta, verifique se a almofada não apresenta fendas ou rachas. As fendas ou rachas podem provocar ferimentos pessoais.

GUARDE ESTAS INSTRUÇÕES.

AVISO: NÃO permita que o conforto ou familiaridade com o produto (adquirido com o uso repetido) substitua o cumprimento estrito das regras de segurança da ferramenta. A MÁ INTERPRETAÇÃO ou o não seguimento das regras de segurança estabelecidas neste manual de instruções pode provocar ferimentos pessoais graves.

DESCRIÇÃO FUNCIONAL

PRECAUÇÃO: Certifique-se sempre de que a ferramenta está desligada e com a ficha retirada da tomada, antes de proceder a afinações ou de verificar o funcionamento da respetiva ferramenta.

Ação do interruptor

PRECAUÇÃO: Antes de ligar a ferramenta à corrente, verifique sempre se o interruptor deslizante funciona adequadamente e volta para a posição de desligado quando a parte de trás do interruptor deslizante é pressionada.

PRECAUÇÃO: Quando bloquear a ferramenta na posição de ligado, tenha todo o cuidado e mantenha a ferramenta bem agarrada.

Para pôr a ferramenta a funcionar, deslize o interruptor deslizante em direção à posição "I (ligado)". Para um funcionamento contínuo, prima a parte da frente do interruptor deslizante para o bloquear.

► Fig.1: 1. Interruptor deslizante

Para parar a ferramenta, prima a parte de trás do interruptor deslizante, depois deslize-o em direção à posição "O (desligado)".

► Fig.2: 1. Interruptor deslizante

Botão rotativo de regulação da velocidade

► Fig.3: 1. Botão rotativo de regulação da velocidade

A velocidade de rotação pode ser alterada rodando o botão rotativo de regulação da velocidade para um determinado número definido de 1 a 5. Obtém-se uma velocidade maior quando o botão rotativo é rodado em direção ao número 5. E obtém-se uma velocidade menor quando é rodado em direção ao número 1. Refira-se à tabela para ficar a saber a relação entre as definições dos números no botão rotativo e a velocidade de rotação aproximada.

Número	Órbitas por min.	Velocidade de rotação da almofada por minuto em modo roto-orbital com rotação forçada
1	1.600	140
2	2.900	260
3	4.200	370
4	5.500	490
5	6.800	600

OBSERVAÇÃO: Se a ferramenta for utilizada continuamente em velocidades baixas durante muito tempo, o motor fica sobrecarregado resultando em avaria da ferramenta.

OBSERVAÇÃO: O botão rotativo de regulação da velocidade só pode ser rodado até um máximo de 5 e novamente até ao 1. Não o force para uma posição além do 5 ou do 1, caso contrário, a função de regulação da velocidade pode deixar de funcionar.

Função eletrônica

As ferramentas equipadas com a função eletrônica são fáceis de utilizar devido às seguintes funcionalidades.

Controlo da velocidade constante

Possibilidade de obter um acabamento delicado, porque a velocidade de rotação é mantida constante, mesmo sob a condição carregada.

Funcionalidade de arranque suave

Arranque suave devido ao choque de arranque suprimido.

Selecionar o modo de ação

Utilize o botão de mudança para mudar o modo de rotação.

OBSERVAÇÃO: Rode sempre o botão até ao fim. Se o botão estiver na posição do meio, não conseguirá ligar a ferramenta.

NOTA: Não conseguirá mudar o modo de ação quando a ferramenta está ligada.

Modo roto-orbital com rotação forçada

► Fig.4: 1. Botão de mudança

O modo roto-orbital com rotação forçada é a ação orbital com a rotação forçada da almofada para lixamento grosseiro e polimento.

Rode o botão de mudança no sentido contrário ao dos ponteiros do relógio para o modo roto-orbital com rotação forçada.

Modo roto-orbital

► Fig.5: 1. Botão de mudança

O modo roto-orbital é a ação orbital com a rotação livre da almofada para lixamento fino.

Rode o botão de mudança no sentido dos ponteiros do relógio para o modo roto-orbital.

Aplicações típicas para lixamento e polimento

Lixamento

Material	Utilização	Seleção de modo		Definição do controlo da velocidade	Almofada
		Roto-orbital com rotação forçada	Aleatório		
Pintura	Lixamento	-	○	1 - 3	Macia
	Reparações (riscos, pontos de ferrugem)	○		2 - 3	Rija
	Remoção de pintura grosseira	○	-	4 - 5	Macia

Material	Utilização	Seleção de modo		Definição do controlo da velocidade	Almofada
		Roto-orbital com rotação forçada	Aleatório		
Plásticos	Plásticos macios (PVC/ABS)	○		1 - 3	Supermacia/Macia
	Plásticos rijos (FRP)	○	-	1 - 3	Macia/Rija
Madeiras	Madeira macia	-	○	1 - 3	Supermacia/Macia
	Madeira rija	○		3 - 5	Macia
	Contra-placados	-	○	1 - 2	Supermacia
Metais	Metal não ferroso (alumínio, cobre)	○		1 - 3	Macia
	Aço	○	-	3 - 5	Macia/Rija
	Aço, remoção de ferrugem	○	-	4 - 5	Supermacia
	Metal rijo (aço inoxidável)	○	-	4 - 5	Macia

Polimento

Utilização	Seleção de modo	Definição do controlo da velocidade	Almofada
Aplicação de cera	Roto-orbital com rotação forçada	2 - 4	Almofada de esponja
Remoção de cera	Roto-orbital com rotação forçada	4 - 5	Almofada de feltro
Polimento	Roto-orbital com rotação forçada	4 - 5	Almofada de lã

As informações indicadas acima servem apenas como orientação. Em cada caso, o grão do disco de lixamento mais apropriado deve ser determinado através de ensaios preliminares.

Protetor

► Fig.6: 1. Protetor

O protetor impede que a almofada, a caixa da ferramenta e a parede fiquem danificadas quando se trabalha junto a uma parede. Utilize sempre o protetor quando estiver a trabalhar.

Para instalar o protetor, alinhe a lingueta do protetor com o encaixe e empurre o protetor para dentro. Para remover o protetor, puxe o protetor para a frente.

MONTAGEM

⚠PRECAUÇÃO: Certifique-se sempre de que a ferramenta está desligada e com a ficha retirada da tomada antes de executar quaisquer trabalhos na ferramenta.

Instalar o punho lateral

► Fig.8: 1. Punho lateral

Fixe o punho lateral da ferramenta com um parafuso em segurança.
O punho lateral pode ser instalado num dos dois lados da ferramenta.

Instalar ou remover o disco de lixa

⚠PRECAUÇÃO: Utilize sempre discos de lixa do sistema de fixação por meio de fitas de tecido auto-colantes. Nunca utilize discos de lixa sensíveis à pressão.

► Fig.9: 1. Disco de lixa

Para instalar o disco de lixa ou a almofada do tipo de fixação por meio de fitas de tecido auto-colantes (acessório opcional), retire primeiro toda a sujidade e matérias estranhas da almofada.

Em seguida prenda o disco de lixa à almofada utilizando o sistema de fixação por meio de fitas de tecido auto-colantes do disco de lixa e da almofada.

Certifique-se de que alinha os orifícios no disco de lixa com os da almofada.

Para retirar o disco da almofada, simplesmente puxe pelas extremidades.

Mudar a almofada

⚠PRECAUÇÃO: Certifique-se de que a almofada nova está instalada em segurança. Caso contrário, a almofada pode desprender-se da ferramenta e provocar ferimentos pessoais.

► Fig.10: 1. Modo roto-orbital com rotação forçada
2. Botão de bloqueio do eixo 3. Almofada

A Makita oferece uma gama extensiva de almofadas opcionais super-macias, macias e rijas.

Para mudar a almofada, faça o seguinte:

1. Utilize o botão de mudança e mude o modo para modo roto-orbital com rotação forçada.
2. Mantenha premido o botão de bloqueio do eixo e retire a almofada rodando-a no sentido contrário ao dos ponteiros do relógio.
3. Continue a premir o botão de bloqueio do eixo e instale uma almofada nova rodando a almofada firmemente no sentido dos ponteiros do relógio.

Bocal para pó

⚠PRECAUÇÃO: Certifique-se de que o perno está fixamente apertado depois de instalar o bocal para pó. Caso contrário, o bocal para pó pode cair e provocar ferimentos pessoais.

OBSERVAÇÃO: Não transporte a ferramenta segurando-a pelo bocal para pó. Caso contrário, a ferramenta pode ficar danificada.

Podem remover o bocal para pó de acordo com a operação.

Para remover o bocal para pó, solte o perno, abra ligeiramente a peça de suporte e retire o bocal para pó.

Para instalar o bocal para pó, insira a boca do bocal para pó dentro da saída de pó da caixa, alinhe a lingueta da peça de suporte com o encaixe da caixa e aperte o perno.

► Fig.11: 1. Bocal para pó 2. Saída de pó
3. Boca

► Fig.12: 1. Peça de suporte 2. Perno

Recolha de pó (acessório opcional)

► Fig.13: 1. Punho de manga frontal 24
2. Mangueira 3. Saída de pó

Se utilizar a mangueira Makita, pode ligar o punho de manga frontal 24 diretamente para a saída de pó.

OPERAÇÃO

⚠PRECAUÇÃO: Utilize apenas discos de lixa e almofadas genuínos da Makita para a lixadeira (acessórios opcionais).

⚠PRECAUÇÃO: Nunca ligue a ferramenta quando ela estiver em contacto com a peça de trabalho, pois pode ferir o operador.

⚠PRECAUÇÃO: Certifique-se de que o material de trabalho está preso e não está instável. A queda de um objeto pode provocar ferimentos pessoais.

⚠PRECAUÇÃO: Segure firmemente a ferramenta com uma mão na pega do interruptor e a outra mão no punho frontal (ou pega lateral) quando utilizar a ferramenta.

OBSERVAÇÃO: Tenha cuidado para não premir o botão de bloqueio do eixo. Pode encurtar a vida da ferramenta.

OBSERVAÇÃO: Nunca force a ferramenta. Uma pressão excessiva pode diminuir a eficiência do polimento/lixamento, danificar o disco de lixa/almofada ou diminuir a vida da ferramenta.

Operação de lixamento

OBSERVAÇÃO: Nunca ponha a ferramenta a funcionar sem o disco de lixa. Pode danificar gravemente a almofada.

► Fig.14

Segure a ferramenta com firmeza. Ligue a ferramenta e espere até que atinja a velocidade máxima. A seguir, coloque a ferramenta suavemente sobre superfície da peça de trabalho. Mantenha a almofada nivelada com a peça de trabalho e aplique uma ligeira pressão na ferramenta.

Operação de polimento

Acessório opcional

OBSERVAÇÃO: A operação contínua a alta velocidade pode danificar a superfície de trabalho.

► Fig.15

1. Aplicação de cera

Utilize a almofada de esponja. Aplique a cera na almofada de esponja ou na superfície de trabalho. Utilize a ferramenta a baixa velocidade para espalhar a cera.

NOTA: Primeiro, encere uma porção pouco importante da superfície de trabalho para ter a certeza de que a ferramenta não irá riscar a superfície nem que o trabalho irá resultar num enceramento irregular.

2. Remoção de cera

Utilize a almofada de feltro. Passe a ferramenta para tirar a cera.

3. Polimento

Aplique a almofada de lã suavemente na superfície de trabalho.

MANUTENÇÃO

PRECAUÇÃO: Certifique-se sempre de que a ferramenta está desligada e com a ficha retirada da tomada antes de tentar proceder à inspeção ou à manutenção.

OBSERVAÇÃO: Nunca utilize gasolina, benzina, diluente, álcool ou produtos semelhantes. Pode ocorrer a descoloração, deformação ou rachaduras.

Para manter a SEGURANÇA e a FIABILIDADE do produto, as reparações e qualquer outra manutenção ou ajuste devem ser levados a cabo pelos centros de assistência Makita autorizados ou pelos centros de assistência de fábrica, utilizando sempre peças de substituição Makita.

ACESSÓRIOS OPCIONAIS

PRECAUÇÃO: Estes acessórios ou peças são recomendados para utilização com a ferramenta Makita especificada neste manual. A utilização de outros acessórios ou peças pode ser perigosa para as pessoas. Utilize apenas acessórios ou peças para os fins indicados.

Se necessitar de informações adicionais relativas a estes acessórios, solicite-as ao seu centro de assistência Makita.

- Discos de lixa do tipo de fixação por meio de fitas de tecido auto-colantes (com furos pré-perfurados)
- Almofada de esponja do tipo de fixação por meio de fitas de tecido auto-colantes
- Almofada de feltro do tipo de fixação por meio de fitas de tecido auto-colantes
- Almofada de lã do tipo de fixação por meio de fitas de tecido auto-colantes
- Almofada 150 (super-macia, macia, rija)
- Almofada 130 (polimento)
- Punho lateral

NOTA: Alguns itens da lista podem estar incluídos na embalagem da ferramenta como acessórios padrão. Eles podem variar de país para país.

SPECIFIKATIONER

Model:	BO6050
Diameter af slibetallerken	150 mm
Diameter af slibeskive	150 mm
Omdrejninger per minut (min ⁻¹)	1.600-6.800
Længde i alt	330 mm
Nettovægt	2,6 kg
Sikkerhedsklasse	II

- På grund af vores kontinuerlige forsknings- og udviklingsprogrammer kan hosstående specifikationer blive ændret uden varsel.
- Specifikationer kan variere fra land til land.
- Vægt i henhold til EPTA-Procedure 01/2003

Tilsluttet anvendelse

Denne maskine er beregnet til slibning af større flader af træ, plast- og metalmaterialer samt malede overflader.

Strømforsyning

Maskinen må kun tilsluttes en strømforsyning med samme spænding som angivet på typeskiltet og kan kun anvendes på enfaset vekselstrømforsyning. Den er dobbeltisoleret og kan derfor også tilsluttes netstik uden jordforbindelse.

Lyd

Det typiske A-vægtede støjniveau bestemt i overensstemmelse med EN60745:

Lydtryksniveau (L_{pA}): 82 dB (A)

Lydeffektniveau (L_{WA}): 93 dB (A)

Usikkerhed (K): 3 dB (A)

ADVARSEL: Bær høreværn.

Vibration

Vibrationens totalværdi (tre-aksial vektorsum) bestemt i overensstemmelse med EN60745:

Arbejdstilstand: slibning af metalplader

Vibrationsemission (a_n): 5,0 m/s²

Usikkerhed (K): 1,5 m/s²

Arbejdstilstand: polering

Vibrationsafgivelse (a_{h,AG}): 3,0m/s²

Usikkerhed (K): 1,5 m/s²

BEMÆRK: Den angivne vibrationsemissionsværdier blevet målt i overensstemmelse med standardtestmetoden og kan anvendes til at sammenligne et værktøj med et andet.

BEMÆRK: Den angivne vibrationsemissionsværdien kan også anvendes i en præliminær eksponeringsvurdering.

ADVARSEL: Vibrationsemissionen under den faktiske anvendelse af værktøjet kan være forskellig fra den erklærede emissionsværdi, afhængigt af den måde, hvorpå værktøjet anvendes.

ADVARSEL: Sørg for at identificere de sikkerhedsforskrifter til beskyttelse af operatøren, som er baseret på en vurdering af eksponering under de faktiske brugsforhold (med hensyntagen til alle dele i brugscyklussen, f.eks. de gange, hvor værktøjet er slukket, og når det kører i tomgang i tilgift til afbrydertiden).

EU-konformitetserklæring

Kun for lande i Europa

Makita erklærer, at den følgende maskine (maskiner):

Maskinens betegnelse: Excentersliber

Model nr./ Type: BO6050

Opfylder betingelserne i de følgende EU-direktiver: 2006/42/EU

De er fremstillet i overensstemmelse med den følgende standard eller standardiserede dokumenter: EN60745
Den tekniske fil, som er i overensstemmelse med 2006/42/EU er tilgængelig fra:

Makita, Jan-Baptist Vinkstraat 2, 3070, Belgien
30.3.2015

Yasushi Fukaya

Yasushi Fukaya

Direktør

Makita, Jan-Baptist Vinkstraat 2, 3070, Belgien

Almindelige sikkerhedsregler for el-værktøj

ADVARSEL: Læs alle sikkerhedsadvarsler og alle sikkerhedsinstruktioner. Hvis nedenstående advarsler og instruktioner ikke overholdes, kan det medføre elektrisk stød, brand og/eller alvorlig personskade.

Gem alle advarsler og instruktioner til fremtidig reference.

Ordet "el-værktøj" i advarslerne henviser til det netforsynede (netledning) el-værktøj eller batteriforsynede (akku) el-værktøj.

Sikkerhedsadvarsler for sliber

1. Anvend altid sikkerhedsbriller eller beskyttelsesbriller. Almindelige briller og solbriller er IKKE sikkerhedsbriller.
2. Hold godt fast i maskinen.
3. Maskinen må ikke køre uden opsyn. Maskinen må kun være i gang, når den holdes i hånden.
4. Denne maskine er ikke vandtæt. Anvend derfor aldrig vand på emnets overflade.
5. Hold arbejdsområdet tilstrækkeligt udluftet, når De udfører slibearbejde.
6. En del materialer indeholder kemikalier, som kan være giftige. Sørg for at forhindre inhalering af støv og kontakt med huden. Følg materialefabrikantens sikkerhedsforskrifter.
7. Anvendelse af denne maskine til slibning af visse produkter, maling og træ kan udsætte brugeren for støv, som indeholder farlige substanser. Brug passende åndedrætsbeskyttelse.
8. Forvis Dem om, inden maskinen tages i brug, at der ikke er nogen revner eller brud i slibetallerkenen. Revner eller brud kan medføre personskade.

GEM DISSE FORSKRIFTER.

⚠ ADVARSEL: LAD IKKE bekvemmelighed eller kendskab til produktet (opnået gennem gentagen brug) forhindre, at sikkerhedsforskrifterne for produktet nøje overholdes. MISBRUG eller forsummelse af at følge de i denne brugsvejledning givne sikkerhedsforskrifter kan medføre alvorlig personskade.

FUNKTIONSBESKRIVELSE

⚠ FORSIGTIG: Kontrollér altid, at maskinen er slået fra, og at netstikket er trukket ud, før der udføres justeringer, eller funktioner kontrolleres på maskinen.

Afbryderfunktion

⚠ FORSIGTIG: Før maskinen startes bør det altid kontrolleres at glidekontakten fungerer korrekt og går tilbage til "OFF"-stillingen, når der trykkes på bagsiden af glidekontakten.

⚠ FORSIGTIG: Vær forsigtig, når maskinen låses i "ON"-stillingen, og hold godt fast i maskinen.

Maskinen startes ved at trykke glidekontakten mod "I (ON)"-stillingen. Tryk på forsiden af glidekontakten for at låse den fast for kontinuerlig brug.

► Fig.1: 1. Glidekontakt

Maskinen stoppes ved at trykke bag på glidekontakten og derefter trykke den mod "O (OFF)"-stillingen.

► Fig.2: 1. Glidekontakt

Hastighedsvælger

► Fig.3: 1. Hastighedsvælger

Rotationshastigheden kan ændres ved at dreje hastighedsvælgeren til en given talindstilling fra 1 til 5. Hastigheden øges, når vælgeren drejes i retningen mod tallet 5. Og hastigheden sænkes, når den drejes i retningen mod tallet 1. Se nedenstående tabel for forholdet mellem talindstillingerne på vælgeren og den omtrentlige rotationshastighed.

Tal	Omdrejninger per min.	Rotationshastighed per minut af slibetallerken i excenteromdrejning med fast rotationstilstand
1	1.600	140
2	2.900	260
3	4.200	370
4	5.500	490
5	6.800	600

BEMÆRKNING: Hvis maskinen anvendes kontinuerligt ved lav hastighed i længere tid ad gangen, bliver motoren overbelastet med funktionsforstyrrelser til følge.

BEMÆRKNING: Hastighedsvælgeren kan kun drejes til 5 og tilbage til 1. Undlad at tvinge den forbi 5 eller 1, ellers vil hastighedsvælgerfunktionen muligvis ikke længere fungere.

Elektronisk funktion

Maskiner med elektronisk funktion er lette at betjene på grund af de følgende funktioner.

Konstant hastighedskontrol

Det er muligt at opnå en flot finish, fordi rotationshastigheden holdes konstant selv under belastning.

Funktion til blød start

Blød start med undertrykkelse af startchok.

Valg af funktionstilstanden

Brug omskifterknappen til at skifte rotationstilstanden.

BEMÆRKNING: Drej altid knappen helt rundt. Hvis knappen står i midterpositionen, kan der ikke tændes for maskinen.

BEMÆRK: De kan ikke ændre funktionstilstanden, når der er tændt for maskinen.

Excenteromdrejning med fast rotationstilstand

► Fig.4: 1. Omskifterknap

Excenteromdrejning med fast rotation er en omdrejningstilstand med fast rotation af slibetallerkenen til grovslibning og polering. Drej omskifterknappen mod uret for excenteromdrejning med fast rotationstilstand.

Excenteromdrejningstilstand

► Fig.5: 1. Omskifterknap

Excenteromdrejning er en omdrejningstilstand med fri rotation af slibetallerkenen til finslibning. Drej omskifterknappen med uret for excenteromdrejningstilstand.

Typiske anvendelser til slibning og polering

Slibning

Materiale	Anvendelse	Valg af tilstand		Indstilling af hastighedskontrol	Slibetallerken
		Excenteromdrejning med fast rotation	Tilfældig		
Malerarbejde	Slibning	-	○	1 - 3	Blød
	Reparationer (ridser, rustpletter)	○		2 - 3	Hård
	Grov fjernelse af maling	○	-	4 - 5	Blød
Plastik	Blød plastik (PVC/ABS)	○		1 - 3	Superblød/Blød
	Hård plastik (FRP)	○	-	1 - 3	Blød/Hård
Træ	Blødt træ	-	○	1 - 3	Superblød/Blød
	Hårdt træ	○		3 - 5	Blød
	Finér	-	○	1 - 2	Superblød
Metal	Ærmetaller (aluminium, kobber)	○		1 - 3	Blød
	Stål	○	-	3 - 5	Blød/Hård
	Stål, rustfjernelse	○	-	4 - 5	Superblød
	Hårdt metal (rustfrit stål)	○	-	4 - 5	Blød

Polering

Anvendelse	Valg af tilstand	Indstilling af hastighedskontrol	Slibetallerken
Påføring af voks	Excenteromdrejning med fast rotation	2 - 4	Polérvamp
Fjernelse af voks	Excenteromdrejning med fast rotation	4 - 5	Polérfiltskive
Polering	Excenteromdrejning med fast rotation	4 - 5	Polérhætte

Ovenstående information er kun tænkt som vejledende. Den bedst egnede grovhed af slibeskiven skal bestemmes ved prøver i det enkelte tilfælde.

Beskyttelsesskærm

► Fig.6: 1. Beskyttelsesskærm

Beskyttelsesskærmen forebygger beskadigelse af slibetallerkenen, maskinhuset og væggen, når der arbejdes nær en væg. Anvend altid beskyttelsesskærmen under arbejdet.

Beskyttelsesskærmen monteres ved at indstille tungen på beskyttelsesskærmen i forhold til rillen og skubbe beskyttelsesskærmen ind.

Træk beskyttelsesskærmen fremad for at fjerne den.

► Fig.7: 1. Beskyttelsesskærm 2. Rille

SAMLING

⚠FORSIGTIG: Sørg altid for, at maskinen er slukket og taget ud af forbindelse, inden der udføres nogen form for arbejde på maskinen.

Montering af sidehåndtaget

► Fig.8: 1. Sidehåndtag

Skru sidehåndtaget fast på maskinen. Sidehåndtaget kan monteres på begge sider af maskinen.

Montering og afmontering af slibeskive

⚠FORSIGTIG: Anvend kun burre-system slibeskiver. Anvend aldrig trykfølsomme slibeskiver.

► Fig.9: 1. Slibeskive

Hvis De vil montere slibeskiven eller slibetallerkenen med burre-system (ekstraudstyr), skal De først fjerne alt støv og alle fremmedlegemer fra slibetallerkenen. Monter derefter slibeskiven på slibetallerkenen ved hjælp af slibeskivens og slibetallerkenens burre-system. Sørg altid for, at sugehullerne i slibeskiven er rettet ind efter hullerne i slibetallerkenen. For at fjerne slibeskiven fra slibetallerkenen skal De blot trække den opad fra kanten.

Udskiftning af slibetallerkenen

⚠FORSIGTIG: Sørg for, at den nye slibetallerkenen er monteret forsvarligt. Ellers kan slibetallerkenen flyve af maskinen og forårsage personskade.

► **Fig.10:** 1. Excenteromdrejning med fast rotationstilstand 2. Aksellåseknapp 3. Slibetallerken

Makita har et stort udvalg af superbløde, bløde og hårde slibetallerkener som ekstraudstyr.

Sådan udskiftes slibetallerkenen:

1. Brug omskifterknappen, og skift tilstand til excenteromdrejning med fast rotationstilstand.
2. Tryk på aksellåseknappen, og hold den inde, og tag slibetallerkenen af ved at dreje tallerkenen i retning mod uret.
3. Hold aksellåseknappen inde, og monter en ny slibetallerken ved at dreje slibetallerkenen fast i retning med uret.

Sugestuds

⚠FORSIGTIG: Sørg for, at bolten er strammet forsvarligt efter montering af sugestudsens. Ellers kan sugestudsens falde af og forårsage personskade.

BEMÆRKNING: Undlad at bære maskinen i sugestudsens. Ellers kan maskinen tage skade.

De kan fjerne sugestudsens i overensstemmelse med anvisningerne.

Sugestudsens fjernes ved at løsne bolten, åbne holderdelen en smule og fjerne sugestudsens.

For at montere sugestudsens skal De sætte åbningen på sugestudsens ind i støvudgangen i huset, justere tungen på holderdelen med rillen i huset og stramme bolten.

► **Fig.11:** 1. Sugestuds 2. Støvudgang 3. Åbning

► **Fig.12:** 1. Holderdel 2. Bolt

Støvsopsamling (ekstraudstyr)

► **Fig.13:** 1. Frontmanchetter 24 2. Slange 3. Støvudgang

Hvis der benyttes en Makita-slange, kan De forbinde frontmanchetterne 24 direkte til støvudgangen.

ANVENDELSE

⚠FORSIGTIG: Brug kun originale Makita slibeskiver og slibetallerkener til sliberen (ekstraudstyr).

⚠FORSIGTIG: Tænd aldrig for maskinen, mens den er i berøring med arbejdsemnet, da dette kan medføre, at operatøren kommer til skade.

⚠FORSIGTIG: Sørg for, at arbejdsemnet er fastgjort, og at det ikke er ustabil. Nedfaldende genstande kan medføre personskade.

⚠FORSIGTIG: Hold maskinen fast med den ene hånd på kontakthåndtaget og den anden hånd på det forreste håndtag (eller sidehåndtaget), når maskinen anvendes.

BEMÆRKNING: Sørg for aldrig at trykke på aksellåseknappen. Dette kan reducere maskinens levetid.

BEMÆRKNING: Brug aldrig magt på maskinen. Et for stort tryk kan reducere slibningens/poleringens effektivitet, beskadige slibeskiven/slibetallerkenen og forkorte maskinens levetid.

Slibning

BEMÆRKNING: Lad aldrig maskinen køre uden slibeskiven. De kan beskadige slibetallerkenen alvorligt.

► **Fig.14**

Hold godt fast i maskinen. Tænd for maskinen, og vent, til den når fuld hastighed. Sæt derefter forsigtigt maskinen mod arbejdsemnets overflade. Sørg for, at slibetallerkenen flugter med arbejdsemnet, og tryk forsigtigt ned på maskinen.

Polering

Ekstraudstyr

BEMÆRKNING: Kontinuerlig brug ved høj hastighed kan beskadige arbejdsfladen.

► **Fig.15**

1. Påføring af voks

Anvend polérvampens. Kom voks på polérvampens eller arbejdsemnets overflade. Kør maskinen ved lav hastighed for at fordele voksens.

BEMÆRK: Påfør først voks på en del af arbejdsemnet, der ikke er så synlig, for at kontrollere, at maskinen ikke ridser overfladen, og at voksningen ikke bliver ujævn.

2. Fjernelse af voks

Anvend polérfiltskiven. Kør maskinen for at fjerne voks.

3. Polering

Tryk forsigtigt polérhætten mod arbejdsemnets overflade.

VEDLIGEHOOLDELSE

⚠️FORSIGTIG: Kontrollér altid, at der er slukket for maskinen, og at netstikket er trukket ud, før der udføres eftersyn eller vedligeholdelse.

BEMÆRKNING: Anvend aldrig benzin, rensbenzin, fortynder, alkohol og lignende. Det kan medføre misfarvning, deformering eller revner.

For at opretholde produktets SIKKERHED og PÅLIDELIGHED må reparation, vedligeholdelse eller justering kun udføres af et autoriseret Makita servicecenter eller fabrikksservicecenter med anvendelse af Makita reservedele.

EKSTRAUDSTYR

⚠️FORSIGTIG: Det følgende tilbehør og ekstraudstyr er anbefalet til brug med Deres Makita maskine, der er beskrevet i denne brugsanvisning. Anvendelse af andet tilbehør eller ekstraudstyr kan udgøre en risiko for personskade. Anvend kun tilbehør og ekstraudstyr til det beskrevne formål.

Hvis De behøver hjælp ved valg af tilbehør eller ønsker yderligere informationer, bedes De kontakte Deres lokale Makita servicecenter.

- Slibeskiver med burre-system (med sugehuller)
- Polérsvamp med burre-system
- Polérfiltskive med burre-system
- Polérhætte med burre-system
- Slibetallerken 150 (superblød, blød, hård)
- Slibetallerken 130 (polering)
- Sidehåndtag

BEMÆRK: Nogle ting på denne liste kan være inkluderet i værktøjspakken som standardtilbehør. Det kan være forskellige fra land til land.

ΠΡΟΔΙΑΓΡΑΦΕΣ

Μοντέλο:	ΒΟ6050
Διάμετρος πέλματος	150 mm
Διάμετρος λειαντικού δίσκου	150 mm
Περιστροφές ανά λεπτό (min ⁻¹)	1.600-6.800
Ολικό μήκος	330 mm
Καθαρό βάρος	2,6 kg
Κατηγορία ασφάλειας	Ⓜ/II

- Λόγω του συνεχόμενου προγράμματος που εφαρμόζουμε για έρευνα και ανάπτυξη, τα τεχνικά χαρακτηριστικά στο παρόν έντυπο υπόκεινται σε αλλαγή χωρίς προειδοποίηση.
- Τα τεχνικά χαρακτηριστικά μπορεί να διαφέρουν από χώρα σε χώρα.
- Βάρος σύμφωνα με διαδικασία ΕΡΤΑ 01/2003

Προοριζόμενη χρήση

Το εργαλείο προορίζεται για λείανση μεγάλων επιφανειών από ξύλο, πλαστικά και μεταλλικά υλικά καθώς και βαμμένων επιφανειών.

Ηλεκτρική παροχή

Το εργαλείο πρέπει να συνδέεται μόνο με ηλεκτρική παροχή της ίδιας τάσης με αυτή που αναγράφεται στην πινακίδα ονομαστικών τιμών και μπορεί να λειτουργήσει μόνο με εναλλασσόμενο μονοφασικό ρεύμα. Υπάρχει διπλή μόνωση και κατά συνέπεια, μπορεί να γίνει σύνδεση σε ακροδέκτες χωρίς σύρμα γείωσης.

Θόρυβος

Το τυπικό Α επίπεδο καταμετρημένου θορύβου καθορίζεται σύμφωνα με το EN60745:

Στάθμη ηχητικής πίεσης (L_{PA}): 82 dB (A)

Στάθμη ηχητικής ισχύος (L_{WA}): 93 dB (A)

Αβεβαιότητα (K): 3 dB (A)

⚠ ΠΡΟΕΙΔΟΠΟΙΗΣΗ: Να φοράτε ωτοασπίδες.

Κραδασμός

Η ολική τιμή δόνησης (άθροισμα τρι-αξονικού διανύσματος) καθορίζεται σύμφωνα με το EN60745:

Είδος εργασίας: λείανση μεταλλικής πλάκας

Εκπομπή δόνησης (a_n): 5,0 m/s²

Αβεβαιότητα (K): 1,5 m/s²

Είδος εργασίας: στίλβωμα

Εκπομπή δόνησης (a_{n, acc}): 3,0m/s²

Αβεβαιότητα (K): 1,5 m/s²

ΠΑΡΑΤΗΡΗΣΗ: Η δηλωμένη τιμή εκπομπής κραδασμών έχει μετρηθεί σύμφωνα με την πρότυπη μέθοδο δοκιμής και μπορεί να χρησιμοποιηθεί για τη σύγκριση ενός εργαλείου με άλλο.

ΠΑΡΑΤΗΡΗΣΗ: Η δηλωμένη τιμή εκπομπής κραδασμών μπορεί να χρησιμοποιηθεί και στην προκαταρκτική αξιολόγηση έκθεσης.

⚠ ΠΡΟΕΙΔΟΠΟΙΗΣΗ: Η εκπομπή κραδασμών κατά τη χρήση του ηλεκτρικού εργαλείου σε πραγματικές συνθήκες μπορεί να διαφέρει από τη δηλωμένη τιμή εκπομπής ανάλογα με τον τρόπο χρήσης του εργαλείου.

⚠ ΠΡΟΕΙΔΟΠΟΙΗΣΗ: Φροντίστε να λάβετε τα κατάλληλα μέτρα προστασίας του χειριστή βάσει ενός υπολογισμού της έκθεσης σε πραγματικές συνθήκες χρήσης (λαμβάνοντας υπόψη όλες τις συνιστώσες του κύκλου λειτουργίας όπως τους χρόνους που το εργαλείο είναι εκτός λειτουργίας και όταν βρίσκεται σε αδρανή λειτουργία πέραν του χρόνου ενεργοποίησης).

Δήλωση Συμμόρφωσης ΕΚ

Μόνο για χώρες της Ευρώπης

Η Makita δηλώνει ότι τα ακόλουθα μηχανήματα:

Χαρακτηρισμός μηχανήματος: Λειαντήρας τυχαίας τροχιάς

Αρ. μοντέλου/ Τύπος: ΒΟ6050

Συμμορφώνονται με τις ακόλουθες Ευρωπαϊκές

Οδηγίες: 2006/42/ΕΚ

Κατασκευάζονται σύμφωνα με τα ακόλουθα πρότυπα ή έγγραφα τυποποίησης: EN60745

Το τεχνικό αρχείο σύμφωνα με την 2006/42/ΕΚ διατίθεται από:

Makita, Jan-Baptist Vinkstraat 2, 3070, Βέλγιο
30.3.2015

Yasushi Fukaya

Yasushi Fukaya

Διευθυντής

Makita, Jan-Baptist Vinkstraat 2, 3070, Βέλγιο

Γενικές προειδοποιήσεις ασφαλείας για το ηλεκτρικό εργαλείο

▲ ΠΡΟΕΙΔΟΠΟΙΗΣΗ: Διαβάστε όλες τις προειδοποιήσεις για την ασφάλεια και όλες τις οδηγίες. Η μη τήρηση των προειδοποιήσεων και οδηγιών μπορεί να καταλήξει σε ηλεκτροπληξία, πυρκαγιά ή/και σοβαρό τραυματισμό.

Φυλάξτε όλες τις προειδοποιήσεις και τις οδηγίες για μελλοντική παραπομπή.

Στις προειδοποιήσεις, ο όρος «ηλεκτρικό εργαλείο» αναφέρεται σε ηλεκτρικό εργαλείο που τροφοδοτείται από την κύρια παροχή ηλεκτρικού ρεύματος (με ηλεκτρικό καλώδιο) ή σε ηλεκτρικό εργαλείο που τροφοδοτείται από μπαταρία (χωρίς ηλεκτρικό καλώδιο).

Προειδοποιήσεις ασφαλείας για το λειαντήρα

1. Να χρησιμοποιείτε πάντα γυαλιά ασφαλείας ή προστατευτικά γυαλιά. Τα συνηθισμένα γυαλιά οράσεως ή γυαλιά ηλίου ΔΕΝ είναι γυαλιά ασφαλείας.
2. Κρατήστε το εργαλείο σταθερό.
3. Μην αφήνετε το εργαλείο σε λειτουργία. Να χειρίζεστε το εργαλείο μόνο όταν το κρατάτε με τα χέρια σας.
4. Το εργαλείο αυτό δεν είναι αδιάβροχο, για αυτό το λόγο μη χρησιμοποιείτε νερό στην επιφάνεια του τεμαχίου εργασίας.
5. Να αερίζετε το χώρο εργασίας επαρκώς όταν εκτελείτε εργασίες λείανσης.
6. Μερικά υλικά περιέχουν χημικές ουσίες που μπορεί να είναι τοξικές. Προσέχετε να μην εισπνεύσετε σκόνη και να μην έχετε δερματική επαφή. Ακολουθείτε τα δεδομένα ασφαλείας υλικού που παρέχονται από τον προμηθευτή.
7. Η χρήση του εργαλείου αυτού για λείανση μερικών προϊόντων, χρωμάτων και ξύλου, μπορεί να εκθέσει τον χρήστη σε σκόνη που περιέχει επικίνδυνες ουσίες. Να χρησιμοποιείτε κατάλληλη αναπνευστική προστασία.
8. Βεβαιωθείτε ότι δεν υπάρχουν ρωγμές ή σπάσιμο στο πέλμα πριν από τη χρήση. Οι ρωγμές ή τα σπασίματα μπορεί να προκαλέσουν σοβαρό προσωπικό τραυματισμό.

ΦΥΛΑΞΕΤΕ ΑΥΤΕΣ ΤΙΣ ΟΔΗΓΙΕΣ.

▲ ΠΡΟΕΙΔΟΠΟΙΗΣΗ: ΜΗΝ επιτρέψετε στην άνεση ή στην εξοικείωσή σας με το προϊόν (που αποκτήθηκε από επανειλημμένη χρήση) να αντικαταστήσει την αυστηρή τήρηση των κανόνων ασφαλείας του παρόντος εργαλείου. Η ΛΑΝΘΑΣΜΕΝΗ ΧΡΗΣΗ ή η αμέλεια να ακολουθήσετε τους κανόνες ασφαλείας που διατυπώνονται στο παρόν εγχειρίδιο οδηγιών μπορεί να προκαλέσει σοβαρό προσωπικό τραυματισμό.

ΠΕΡΙΓΡΑΦΗ ΛΕΙΤΟΥΡΓΙΑΣ

▲ ΠΡΟΣΟΧΗ: Να βεβαιώνεστε πάντα ότι το εργαλείο είναι σβηστό και αποσυνδεδεμένο από την ηλεκτρική παροχή πριν ρυθμίσετε ή ελέγξετε κάποια λειτουργία του.

Δράση διακόπτη

▲ ΠΡΟΣΟΧΗ: Πριν συνδέσετε το εργαλείο στο ρεύμα, να ελέγχετε πάντα να δείτε ότι ο κυλιόμενος διακόπτης ενεργοποιείται κανονικά και επιστρέφει στη θέση «ΑΝΕΝΕΡΓΟ» όταν πιέζετε το πίσω μέρος του κυλιόμενου διακόπτη.

▲ ΠΡΟΣΟΧΗ: Να είστε προσεκτικοί όταν ασφαλίσετε το εργαλείο στη θέση «ΕΝΕΡΓΟ» και να κρατάτε καλά το εργαλείο.

Για να ξεκινήσετε τη λειτουργία του εργαλείου, ολισθήστε τον κυλιόμενο διακόπτη στη θέση «I (ΕΝΕΡΓΟ)». Για συνεχή λειτουργία, πιέστε το μπροστινό μέρος του κυλιόμενου διακόπτη για να τον ασφαλίσετε.

► **Εικ.1:** 1. Κυλιόμενος διακόπτης

Για να σταματήσει το εργαλείο, πιέστε το πίσω μέρος του κυλιόμενου διακόπτη και κατόπιν ολισθήστε τον στη θέση «O (ΑΝΕΝΕΡΓΟ)».

► **Εικ.2:** 1. Κυλιόμενος διακόπτης

Καντράν ρύθμισης ταχύτητας

► **Εικ.3:** 1. Καντράν ρύθμισης ταχύτητας

Η ταχύτητα περιστροφής μπορεί να αλλάξει εάν γυρίσετε το καντράν ρύθμισης ταχύτητας σε μια δεδομένη αριθμητική ρύθμιση από το 1 έως το 5. Λαμβάνεται υψηλότερη ταχύτητα όταν το καντράν περιστρέφεται προς την κατεύθυνση του αριθμού 5. Και επιτυγχάνεται χαμηλότερη ταχύτητα όταν το καντράν περιστρέφεται προς την κατεύθυνση του αριθμού 1.

Ανατρέξτε στον πίνακα για τη σχέση μεταξύ των αριθμητικών ρυθμίσεων στο καντράν και την κατά προσέγγιση ταχύτητα περιστροφής.

Αριθμός	Περαιστροφές ανά λεπτό	Ταχύτητα περιστροφής πέλματος ανά λεπτό σε τρόπο λειτουργίας τυχαίας τροχιάς με εξαναγκασμένη περιστροφή
1	1.600	140
2	2.900	260
3	4.200	370
4	5.500	490
5	6.800	600

ΕΙΔΟΠΟΙΗΣΗ: Αν το εργαλείο λειτουργεί συνεχόμενα σε χαμηλές ταχύτητες για μεγάλο χρονικό διάστημα, το μοτέρ θα υπερφορτωθεί και θα προκαλέσει δυσλειτουργία του εργαλείου.

ΕΙΔΟΠΟΙΗΣΗ: Το καντράν ρύθμισης ταχύτητας μπορεί να περιστραφεί μόνο μέχρι το 5 και ξανά στο 1. Μην το εξαναγκάσετε μετά το 5 ή το 1, διαφορετικά η ρύθμιση ταχύτητας δεν θα λειτουργεί.

Ηλεκτρονική λειτουργία

Τα εργαλεία που είναι εξοπλισμένα με ηλεκτρονική λειτουργία είναι εύκολα στη χρήση λόγω των ακόλουθων χαρακτηριστικών.

Έλεγχος σταθερής ταχύτητας

Μπορείτε να έχετε ένα κομψό αποτέλεσμα επειδή η ταχύτητα περιστροφής διατηρείται σταθερή ακόμα και υπό φορτωμένη κατάσταση.

Χαρακτηριστικό ομαλής έναρξης

Ομαλή έναρξη επειδή καταστέλλεται η αιφνίδια έναρξη.

Επιλογή τρόπου λειτουργίας δράσης

Χρησιμοποιήστε το κουμπί αλλαγής για να αλλάξετε τον τρόπο λειτουργίας περιστροφής.

ΕΙΔΟΠΟΙΗΣΗ: Να γυρίζετε πάντα το κουμπί πλήρως. Αν το κουμπί βρίσκεται σε μεσαία θέση, δεν μπορείτε να ενεργοποιήσετε το εργαλείο.

ΠΑΡΑΤΗΡΗΣΗ: Δεν μπορείτε να αλλάξετε τον τρόπο λειτουργίας δράσης όταν το εργαλείο είναι ενεργοποιημένο.

Τρόπος λειτουργίας τυχαίας τροχιάς με εξαναγκασμένη περιστροφή

► **Εικ.4:** 1. Κουμπί αλλαγής

Ο τρόπος λειτουργίας τυχαίας τροχιάς με εξαναγκασμένη περιστροφή είναι μια τροχιακή δράση με εξαναγκασμένη περιστροφή του πέλματος για σκληρή λείανση και στίλβωμα.

Γυρίστε το κουμπί αλλαγής αριστερόστροφα για τρόπο λειτουργίας τυχαίας τροχιάς με εξαναγκασμένη περιστροφή.

Τρόπος λειτουργίας τυχαίας τροχιάς

► **Εικ.5:** 1. Κουμπί αλλαγής

Ο τρόπος λειτουργίας τυχαίας τροχιάς είναι μια τροχιακή δράση με ελεύθερη περιστροφή του πέλματος για λεπτή λείανση.

Γυρίστε το κουμπί αλλαγής δεξιόστροφα για τρόπο λειτουργίας τυχαίας τροχιάς.

Συνήθεις εφαρμογές για λείανση και στίλβωμα

Λείανση

Υλικό	Χρήση	Επιλογή τρόπου λειτουργίας		Ρύθμιση ελέγχου ταχύτητας	Πέλμα
		Τυχαία τροχιά με εξαναγκασμένη περιστροφή	Τυχαία		
Βαφή	Λείανση	-	○	1 - 3	Μαλακό
	Επισκευές (γρατσουνιές, σημεία σκουριάς)		○	2 - 3	Σκληρό
	Απογύμνωση σκληρής βαφής	○	-	4 - 5	Μαλακό
Πλαστικό	Μαλακό πλαστικό (PVC/ABS)		○	1 - 3	Πολύ μαλακό/Μαλακό
	Σκληρό πλαστικό (FRP)	○	-	1 - 3	Μαλακό/Σκληρό
Ξύλο	Μαλακό ξύλο	-	○	1 - 3	Πολύ μαλακό/Μαλακό
	Σκληρό ξύλο		○	3 - 5	Μαλακό
	Καπλαμάς	-	○	1 - 2	Πολύ μαλακό
Μέταλλο	Μη σιδηρούχα μέταλλα (αλουμίνιο, χαλκός)		○	1 - 3	Μαλακό
	Χάλυβας	○	-	3 - 5	Μαλακό/Σκληρό
	Χάλυβας, αφαιρεση σκουριάς	○	-	4 - 5	Πολύ μαλακό
	Σκληρό μέταλλο (ανοξείδωτος χάλυβας)	○	-	4 - 5	Μαλακό

Στίλβωμα

Χρήση	Επιλογή τρόπου λειτουργίας	Ρύθμιση ελέγχου ταχύτητας	Πέλμα
Εφαρμογή κεριού	Τυχαία τροχιά με εξαναγκασμένη περιστροφή	2 - 4	Σπογγοειδές πέλμα
Αφαίρεση κεριού	Τυχαία τροχιά με εξαναγκασμένη περιστροφή	4 - 5	Τσόχινο πέλμα
Στίλβωμα	Τυχαία τροχιά με εξαναγκασμένη περιστροφή	4 - 5	Μάλλινο πέλμα

Οι ανωτέρω πληροφορίες προορίζονται μόνο ως οδηγός. Σε κάθε περίπτωση, θα πρέπει να καθοριστούν οι πιο κατάλληλοι κόκκοι δίσκου λείανσης με προκαταρκτικές δοκιμές.

Προστατευτικό

► **Εικ.6:** 1. Προστατευτικό

Το προστατευτικό εμποδίζει την πρόκληση ζημιάς στο πέλμα, στο περίβλημα εργαλείου και στον τοίχο, όταν εργάζεστε κοντά σε τοίχο. Να χρησιμοποιείτε πάντα το προστατευτικό κατά την εργασία.

Για να αφαιρέσετε το προστατευτικό, ευθυγραμμίστε τη γλωττίδα του προστατευτικού με την αυλάκωση και ωθήστε το προστατευτικό προς τα μέσα.

Για να αφαιρέσετε το προστατευτικό, τραβήξτε το προστατευτικό προς τα μπροστά.

► **Εικ.7:** 1. Προστατευτικό 2. Αυλάκωση

ΣΥΝΑΡΜΟΛΟΓΗΣΗ

▲ ΠΡΟΣΟΧΗ: Να βεβαιώνετε πάντα ότι το εργαλείο είναι σβηστό και αποσυνδεδεμένο από την ηλεκτρική παροχή πριν εκτελέσετε οποιαδήποτε εργασία σε αυτό.

Τοποθέτηση πλάγιας λαβής

► **Εικ.8:** 1. Πλάγια λαβή

Βιδώστε με ασφάλεια την πλάγια λαβή στο εργαλείο. Μπορείτε να τοποθετήσετε την πλάγια λαβή σε οποιαδήποτε πλευρά του εργαλείου.

Τοποθέτηση και αφαίρεση λειαντικού δίσκου

▲ ΠΡΟΣΟΧΗ: Να χρησιμοποιείτε πάντα λειαντικούς δίσκους τύπου αντιπροσκόλλησης με δαχτυλίδι. Μη χρησιμοποιήσετε ποτέ λειαντικούς δίσκους που είναι ευαίσθητοι στην πίεση.

► **Εικ.9:** 1. Λειαντικός δίσκος

Για να τοποθετήσετε το λειαντικό δίσκο ή πέλμα τύπου αντιπροσκόλλησης με δαχτυλίδι (προαιρετικό εξάρτημα), πρώτα να απομακρύνετε όλη τη βρομιά και ξένη

ύλη από το πέλμα.

Στη συνέχεια, προσαρμόστε τον λειαντικό δίσκο στο πέλμα χρησιμοποιώντας το σύστημα αντιπροσκόλλησης με δαχτυλίδι του λειαντικού δίσκου και το πέλμα. Να είστε προσεχτικοί για να ευθυγραμμίσετε τις οπές του λειαντικού δίσκου με αυτές του πέλματος.

Για να αφαιρέσετε το δίσκο από το πέλμα, απλά τραβήξτε προς τα άνω από το άκρο της.

Αλλαγή πέλματος

▲ ΠΡΟΣΟΧΗ: Βεβαιωθείτε ότι το καινούριο πέλμα είναι τοποθετημένο με ασφάλεια. Διαφορετικά το πέλμα μπορεί να αποσυνθει από το εργαλείο και να προκαλέσει ατομικό τραυματισμό.

► **Εικ.10:** 1. Τρόπος λειτουργίας τυχαίας τροχιάς με εξαναγκασμένη περιστροφή 2. Κουμπί ασφάλισης άξονα 3. Πέλμα

Η Makita προσφέρει ένα εκτεταμένο εύρος από προαιρετικά πολύ μαλακά, μαλακά και σκληρά πέλματα.

Για να αλλάξετε το πέλμα, πραγματοποιήστε τα εξής:

1. Χρησιμοποιήστε το κουμπί αλλαγής και αλλάξτε τον τρόπο λειτουργίας σε τρόπο λειτουργία τυχαίας τροχιάς με εξαναγκασμένη περιστροφή.
2. Πατήστε παρατεταμένα το κουμπί ασφάλισης άξονα και περιστρέψτε το πέλμα αριστερόστροφα για να αφαιρέσετε το πέλμα.
3. Συνεχίστε να κρατάτε το κουμπί ασφάλισης άξονα και τοποθετήστε ένα καινούριο πέλμα περιστρέφοντας το πέλμα σταθερά δεξιόστροφα.

Στόμιο σκόνης

▲ ΠΡΟΣΟΧΗ: Βεβαιωθείτε ότι το μπουλόνι είναι καλά σφιγμένο αφού τοποθετήσετε το στόμιο σκόνης. Διαφορετικά το στόμιο σκόνης μπορεί να πέσει και να προκαλέσει ατομικό τραυματισμός.

ΕΙΔΟΠΟΙΗΣΗ: Μη μεταφέρετε το εργαλείο από το στόμιο σκόνης. Διαφορετικά, το εργαλείο μπορεί να υποστεί βλάβη.

Μπορείτε να αφαιρέσετε το στόμιο σκόνης ανάλογα με τη λειτουργία.

Για να αφαιρέσετε το στόμιο σκόνης, χαλαρώστε το μπουλόνι, ανοίξτε λίγο το τμήμα υποδοχέα και αφαιρέστε το στόμιο σκόνης.

Για να τοποθετήσετε το στόμιο σκόνης, τοποθετήστε το άνοιγμα του στομίου σκόνης στην έξοδο σκόνης του περιβλήματος, ευθυγραμμίστε τη γλώσσα του τμήματος υποδοχέα με την αυλάκωση του περιβλήματος και σφίξτε το μπουλόνι.

► **Εικ.11:** 1. Στόμιο σκόνης 2. Έξοδος σκόνης 3. Άνοιγμα

► **Εικ.12:** 1. Τμήμα υποδοχέα 2. Μπουλόνι

Συλλογή σκόνης (προαιρετικό εξάρτημα)

► **Εικ.13:** 1. Μπροστινό μακίετο 24 2. Εύκαμπτος σωλήνας 3. Έξοδος σκόνης

Αν χρησιμοποιείτε εύκαμπτο σωλήνα της Makita, μπορείτε να συνδέσετε το μπροστινό μακίετο 24

ΛΕΙΤΟΥΡΓΙΑ

ΠΡΟΣΟΧΗ: Να χρησιμοποιείτε μόνο γνήσιους λειαντικούς δίσκους και πέλματα της Makita για το λειαντήρα (προαιρετικά εξαρτήματα).

ΠΡΟΣΟΧΗ: Μην ενεργοποιείτε ποτέ το εργαλείο όταν βρίσκεται σε επαφή με το τεμάχιο εργασίας, μπορεί να προκληθεί τραυματισμός στο χειριστή.

ΠΡΟΣΟΧΗ: Φροντίστε ώστε το υλικό εργασίας να είναι ασφαλισμένο και να μην είναι ασταθές. Ένα αντικείμενο που πέφτει μπορεί να προκαλέσει προσωπικό τραυματισμό.

ΠΡΟΣΟΧΗ: Όταν χειρίζεστε το εργαλείο, να κρατάτε το εργαλείο σταθερά με το ένα χέρι στη λαβή διακόπτη και το άλλο χέρι στην μπροστινή λαβή (ή την πλάγια λαβή).

ΕΙΔΟΠΟΙΗΣΗ: Προσέχετε να μην πατήσετε το κουμπί ασφάλισης άξονα. Μπορεί να συντομεύσει τη διάρκεια ζωής του εργαλείου.

ΕΙΔΟΠΟΙΗΣΗ: Μη ζορίζετε ποτέ το εργαλείο. Η υπερβολική πίεση μπορεί να προκαλέσει μείωση της ικανότητας λείανσης / στίλβωσης, βλάβη στο λειαντικό δίσκο / πέλμα ή μείωση της διάρκειας ζωής του εργαλείου.

Λειτουργία λείανσης

ΕΙΔΟΠΟΙΗΣΗ: Ποτέ μη θέτετε το εργαλείο σε λειτουργία χωρίς το λειαντικό δίσκο. Μπορεί να προκαλέσετε σοβαρή ζημιά στο πέλμα.

► Εικ.14

Κρατήστε το εργαλείο σταθερό. Ενεργοποιήστε το εργαλείο και περιμένετε έως ότου επιτευχθεί πλήρης ταχύτητα. Στη συνέχεια, τοποθετήστε με προσοχή το εργαλείο πάνω στην επιφάνεια του τεμαχίου εργασίας. Διατηρήστε το πέλμα επίπεδο πάνω στο τεμάχιο εργασίας και ασκήστε ελαφρά πίεση στο εργαλείο.

Λειτουργία στίλβωματος

Προαιρετικό εξάρτημα

ΕΙΔΟΠΟΙΗΣΗ: Η συνεχόμενη λειτουργία με υψηλή ταχύτητα μπορεί να προκαλέσει ζημιά στην επιφάνεια εργασίας.

► Εικ.15

1. Εφαρμογή κεριού

Χρησιμοποιήστε σπογγώδες πέλμα. Εφαρμόστε κεριό στο σπογγώδες πέλμα ή στην επιφάνεια εργασίας. Θέστε το εργαλείο σε λειτουργία με χαμηλή ταχύτητα για να γίνει το κεριό ομοιόμορφο.

ΠΑΡΑΤΗΡΗΣΗ: Πρώτα, λειάνετε με κεριό ένα κρυφό σημείο της επιφάνειας εργασίας για να βεβαιωθείτε ότι το εργαλείο δεν θα γδάρει την επιφάνεια ή δεν θα έχει ως αποτέλεσμα μη ομοιόμορφη λείανση με κεριό.

2. Αφαίρεση κεριού

Χρησιμοποιήστε τσόχινο πέλμα. Θέστε το εργαλείο σε λειτουργία για να απομακρύνετε το κεριό.

3. Στίλβωμα

Τοποθετήστε το μάλλινο πέλμα απαλά επάνω στην επιφάνεια εργασίας.

ΣΥΝΤΗΡΗΣΗ

ΠΡΟΣΟΧΗ: Να βεβαιώνεστε πάντα ότι το εργαλείο είναι σβηστό και αποσυνδεδεμένο από την ηλεκτρική παροχή πριν εκτελέσετε οποιαδήποτε εργασία επιθεώρησης ή συντήρησης σε αυτό.

ΕΙΔΟΠΟΙΗΣΗ: Μην χρησιμοποιείτε ποτέ βενζίνη, πετρελαϊκό αιθέρα, διαλυτικό, αλκοόλη ή παρόμοιες ουσίες. Μπορεί να προκληθεί αποχρωματισμός, παραμόρφωση ή ρωγμές.

Για τη διατήρηση της ΑΣΦΑΛΕΙΑΣ και ΑΞΙΟΠΙΣΤΙΑΣ του προϊόντος, οι επισκευές και οποιαδήποτε άλλη εργασία συντήρησης ή ρύθμισης πρέπει να εκτελούνται από εξουσιοδοτημένα ή εργοστασιακά κέντρα εξυπηρέτησης της Makita, χρησιμοποιώντας πάντοτε ανταλλακτικά της Makita.

ΠΡΟΑΙΡΕΤΙΚΑ ΕΞΑΡΤΗΜΑΤΑ

ΠΡΟΣΟΧΗ: Αυτά τα εξαρτήματα ή προσαρτήματα συνιστώνται για χρήση με το εργαλείο Makita που περιγράφηκε στις οδηγίες αυτές. Η χρήση οποιωνδήποτε άλλων εξαρτημάτων ή προσαρτημάτων μπορεί να προκαλέσει κίνδυνο τραυματισμού σε άτομα. Να χρησιμοποιείτε τα εξαρτήματα ή προσαρτήματα μόνο για την χρήση που προορίζονται.

Εάν χρειάζεστε οποιαδήποτε βοήθεια για περισσότερες πληροφορίες σε σχέση με αυτά τα εξαρτήματα, απευθυνθείτε στο τοπικό σας κέντρο εξυπηρέτησης Makita.

- Λειαντικοί δίσκοι τύπου αντιπροσκόλλησης με δαχτυλίδι (με προ-ανοιγμένες τρύπες)
- Σπογγοειδές πέλμα τύπου αντιπροσκόλλησης με δαχτυλίδι
- Τσόχινο πέλμα τύπου αντιπροσκόλλησης με δαχτυλίδι
- Μάλλινο πέλμα τύπου αντιπροσκόλλησης με δαχτυλίδι
- Πέλμα 150 (Πολύ μαλακό, Μαλακό, Σκληρό)
- Πέλμα 130 (Στίλβωμα)
- Πλάγια λαβή

ΠΑΡΑΤΗΡΗΣΗ: Μερικά στοιχεία στη λίστα μπορεί να συμπεριλαμβάνονται στη συσκευασία εργαλείου ως στάνταρ εξαρτήματα. Μπορεί να διαφέρουν ανάλογα με τη χώρα.

TEKNİK ÖZELLİKLER

Model:	BO6050
Yastık çapı	150 mm
Zımpara diski çapı	150 mm
Dakikada devir (min ⁻¹)	1.600-6.800
Toplam uzunluk	330 mm
Net ağırlık	2,6 kg
Emniyet sınıfı	II

- Sürekli yapılan araştırma ve geliştirmelerden dolayı, burada belirtilen özellikler önceden bildirilmeksizin değiştirilebilir.
- Özellikler ülkeden ülkeye değişebilir.
- EPTA_Prosedürü 01/2003 uyarınca ağırlık

Kullanım amacı

Bu alet ahşap, plastik ve metal malzemelerin geniş yüzeyleriyle boyalı yüzeylerin zımparalanması amacıyla kullanılır.

Güç kaynağı

Aletin, yalnızca isim levhasında belirtilenle aynı voltajlı güç kaynağına bağlanması gerekir ve yalnızca tek fazlı AC güç kaynağıyla çalıştırılabilir. Çifte yalıtımlıdır ve topraklamasız prizlerle de kullanılabilir.

Gürültü

Tipik A-ağırlıklı gürültü düzeyi (EN60745 standardına göre belirlenen):

Ses basınç seviyesi (L_{PA}): 82 dB (A)

Ses gücü düzeyi (L_{WA}): 93 dB (A)

Belirsizlik (K): 3 dB (A)

UYARI: Kulak koruyucuları takın.

Titreşim

Titreşim toplam değeri (üç eksenli vektör toplamı)

(EN60745 standardına göre hesaplanan):

Çalışma modu: metal levha zımparalama

Titreşim emisyonu (a_h): 5,0 m/s²

Belirsizlik (K) : 1,5 m/s²

Çalışma modu: parlatma

Titreşim emisyonu (a_{n,AG}): 3,0m/s²

Belirsizlik (K) : 1,5 m/s²

NOT: Beyan edilen titreşim emisyon değeri standart test yöntemine uygun şekilde ölçülmüştür ve bir aleti bir başkasıyla karşılaştırmak için kullanılabilir.

NOT: Beyan edilen titreşim emisyon değeri bir ön maruz kalma değerlendirmesi olarak da kullanılabilir.

UYARI: Bu elektrikli aletin gerçek kullanımı sırasındaki titreşim emisyonu aletin kullanım biçimlerine bağlı olarak beyan edilen emisyon değerinden farklı olabilir.

UYARI: Gerçek kullanım koşullarındaki maruz kalmanın bir tahmini hesaplaması temelinde operatörü koruyacak güvenlik önlemlerini mutlaka belirleyin (çalışma döngüsü içerisinde aletin kapalı olduğu ve aktif durumda olmasının yanı sıra boşta çalıştığı zamanlar gibi, bütün zaman dilimleri göz önünde bulundurulacak değerlendirilmelidir).

EC Uygunluk Beyanı

Sadece Avrupa ülkeleri için

Biz Makita Corporation beyan ederiz ki aşağıdaki makine(ler):

Makine Adı: Titreşim Zımpara Makinası

Model No./ Tipi: BO6050

aşağıdaki Avrupa Direktiflerine uygundur:

2006/42/EC

Aşağıdaki standartlara veya standartlaştırılmış belgelere uygun olarak imal edilmişlerdir: EN60745

2006/42/EC uyumluluğuna ilişkin teknik dosyaya şuradan ulaşılabilir:

Makita, Jan-Baptist Vinkstraat 2, 3070, Belçika
30.3.2015

Yasushi Fukaya

Yasushi Fukaya

Müdür

Makita, Jan-Baptist Vinkstraat 2, 3070, Belçika

Genel elektrikli alet güvenliği uyarıları

UYARI: Tüm güvenlik uyarılarını ve tüm talimatları okuyun. Uyarılara ve talimatlara uyulmaması elektrik şoku, yangın ve/veya ciddi yaralanmalar ile sonuçlanabilir.

Tüm uyarıları ve talimatları ile-ride başvurmak için saklayın.

Uyarılardaki "elektrikli alet" terimi ile ya prizden çalışan (kordonlu) elektrikli aletiniz ya da kendi aküsü ile çalışan (kordonsuz) elektrikli aletiniz kastedilmektedir.

Zımpara makinası güvenlik uyarıları

1. **Daima koruyucu gözlükler kullanın. Normal gözlükler veya güneş gözlükleri koruyucu gözlük DEĞİLDİR.**
2. **Aleti sıkı tutun.**
3. **Aleti çalışır durumda bırakmayın. Aleti sadece elinizde tutarken çalıştırın.**
4. **Bu alet su geçirmez değildir, bu nedenle iş parçasının yüzeyinde su kullanmayın.**
5. **Zımparalama işlemi yaparken çalışma yerinizi iyi havalandırın.**
6. **Bazı malzemeler zehirli olabilen kimyasallar içerirler. Toz yutmayı ve cilt temasını önlemek için tedbir alın. Malzeme sağlayıcısının güvenlik bilgilerine uyun.**
7. **Bu aletin bazı ürünleri, boyaları ve ahşabı zımparalamak için kullanımı kullanıcıyı tehlikeli maddeler içeren toza maruz bırakabilir. Uygun solunum koruması kullanın.**
8. **Kullanmadan önce yastıkta çatlak veya kırık olmadığından emin olun. Çatlaklar veya kırıklar yaralanmaya neden olabilirler.**

BU TALİMATLARI MUHAFAZA EDİNİZ.

⚠UYARI: Ürünü kullanırken (defalarca kullanınca kazanılan) rahatlık ve tanıdıklık duygusunun ilgili ürünün güvenlik kurallarına sıkı sıkıya bağlı kalmanın yerine geçmesine İZİN VERMEYİN. YANLIŞ KULLANIM veya bu kullanma kılavuzunda belirtilen emniyet kurallarına uymama ciddi yaralanmaya neden olabilir.

İŞLEVSEL NİTELİKLER

⚠DİKKAT: Alet üzerinde ayarlama ya da işlevi kontrolü yapmadan önce aletin kapalı ve fişinin çekili olduğundan daima emin olun.

Anahtar işlemi

⚠DİKKAT: Aleti fişe takmadan önce sürgülü anahtarın doğru çalıştığından ve sürgülü anahtarın arka kısmına basıldığında "OFF" (kapalı) konumuna döndüğünden emin olun.

⚠DİKKAT: Anahtar "ON" (açık) konumunda kilitliyen dikkatli olun ve aleti sıkı kavrayın.

Aleti başlatmak için, sürgülü anahtarı "I (AÇIK)" konuma getirin. Sürekli kullanım için, sürgülü anahtarın ön kısmına basarak anahtarı kilitleyin.

►Şek.1: 1. Sürgülü anahtar

Aleti durdurmak için, sürgülü anahtarın arkasına basın ve "O (KAPALI)" konuma kaydırın.

►Şek.2: 1. Sürgülü anahtar

Hız ayar kadranı

►Şek.3: 1. Hız ayar kadranı

Dönme hızı, hız ayar kadranını işaretlenmiş 1 ila 5 numaraları arasında çevrilerle değiştirilebilir. Kadran 5 numarası yönünde döndürüldükçe hız yükselir. Ve kadran 1 numarası yönünde döndürüldükçe hız düşer. Kadran üzerindeki numara ayarlarıyla yaklaşık dönme hızı arasındaki ilişki için tabloya bakın.

Numara	Dakikada devir	Titreşimli cebri dönüş modunda yastığın dakikadaki dönüş hızı
1	1.600	140
2	2.900	260
3	4.200	370
4	5.500	490
5	6.800	600

ÖNEMLİ NOT: Eğer alet uzun süre devamlı düşük hızlarda çalıştırılırsa, motor aşırı yüklenir ve bozulmaya neden olur.

ÖNEMLİ NOT: Hız ayar kadranı ancak 1 ila 5 arasındaki numaralara ayarlanabilir. 5 veya 1 numaranın ötesine ayar yapmaya çalışmayın, aksi halde hız ayar işlevi bozulabilir.

Elektronik işlev

Elektronik işlevli aletlerin kullanımını aşağıda belirtilen özellikler nedeniyle daha kolaydır.

Sabit hız kontrolü

Yükü koşulda bile dönüş hızı sabit kaldığı için iyi bir finiş elde etmek mümkün olur.

Yumuşak başlatma özelliği

Başlatma sırasında oluşan sarsıntıya karşı yumuşak başlatma özelliği.

Eylem modu seçme

Dönüş modunu değiştirmek için, değiştirme düğmesini kullanın.

ÖNEMLİ NOT: Düğmeyi her zaman tam olarak döndürün. Düğme orta konumda olursa, aleti çalıştıramazsınız.

NOT: Alet açıkken eylem modunu değiştiremezsiniz.

Titreşimli cebri dönüş modu

►Şek.4: 1. Değiştirme düğmesi

Titreşimli cebri dönüş modu, kaba zımparalama ve parlatma için yastığın cebri dönüşle orbital olarak hareket etmesidir.

Titreşimli cebri dönüş modu için değiştirme düğmesini saatin aksi yönde döndürün.

Titreşimli mod

► Şek.5: 1. Değiştirme düğmesi

Titreşimli mod, hassas zımparalama için yastığın serbest dönüşle orbital olarak hareket etmesidir. Titreşimli mod için değiştirme düğmesini saat yönünde döndürün.

Zımparalama ve parlatma için tipik uygulamalar

Zımparalama

Malzeme	Kullanım	Mod seçimi		Hız kontrol ayarı	Yastık
		Titreşimli cebri dönüş	Rasgele		
Boya işi	Zımparalama	-	○	1 - 3	Yumuşak
	Tamirat (çizikler, pas lekeleri)		○	2 - 3	Sert
	Kaba boya soyma	○	-	4 - 5	Yumuşak
Plastikler	Yumuşak plastik (PVC/ABS)		○	1 - 3	Süper yumuşak/ Yumuşak
	Sert plastik (FRP)	○	-	1 - 3	Yumuşak/ Sert
Tahtalar	Yumuşak tahta	-	○	1 - 3	Süper yumuşak/ Yumuşak
	Sert tahta		○	3 - 5	Yumuşak
	Cilalı yüzeyler	-	○	1 - 2	Süper Yumuşak
Metaller	İçinde demir olmayan metaller (alüminyum, bakır)		○	1 - 3	Yumuşak
	Çelik	○	-	3 - 5	Yumuşak/ Sert
	Çelik, pas giderme	○	-	4 - 5	Süper Yumuşak
	Sert metal (paslanmaz çelik)	○	-	4 - 5	Yumuşak

Parlatma

Kullanım	Mod seçimi	Hız kontrol ayarı	Yastık
Cila uygulanması	Titreşimli cebri dönüş	2 - 4	Sünger yastık
Cilanın giderilmesi	Titreşimli cebri dönüş	4 - 5	Keçe yastık

Kullanım	Mod seçimi	Hız kontrol ayarı	Yastık
Parlatma	Titreşimli cebri dönüş	4 - 5	Yün yastık

Yukarıda verilen bilgiler sadece rehberlik amaçlıdır. Her durumda, en uygun zımpara diski tanecik boyutu önceden test edilerek belirlenmelidir.

Koruyucu

► Şek.6: 1. Koruyucu

Koruyucu; bir duvara yakın çalışırken yastığın, alet yuvasının ve duvarın hasar görmesini engeller. Çalışırken koruyucuyu her zaman kullanın. Koruyucuyu takmak için, koruyucunun dilini oyukla hizalayın ve koruyucuyu içeri doğru itin. Koruyucuyu çıkarmak için, koruyucuyu ileri doğru çekin.

► Şek.7: 1. Koruyucu 2. Oyuk

MONTAJ

⚠DİKKAT: Alet üzerinde herhangi bir iş yapmadan önce aletin kapalı ve fişinin çekili olduğundan daima emin olun.

Yan kavrama kolunun takılması

► Şek.8: 1. Yan kavrama kolu

Yan kavrama kolunu alete sıkıca vidalayın. Yan kavrama kolu aletin her iki yanına da takılabilir.

Zımpara diskini takma ve çıkarma

⚠DİKKAT: Her zaman çengel halkalı sistemli zımpara diskleri kullanın. Hiç bir zaman basınca hassas zımpara diski kullanmayın.

► Şek.9: 1. Zımpara diski

Zımpara diski ya da çengel halkalı tip yastığı (isteğe bağlı aksesuar) takmak için, önce yastık üzerindeki tüm kiri ve yabancı maddeleri giderin. Sonra zımpara diskin ve yastığın çengel halkalı sistemini kullanarak zımpara diskini yastığa takın. Zımpara diskindeki delikleri yastıktakilerle ayarlamaya dikkat edin. Diski yastıktan çıkarmak içinse, kenarından yukarı çekiverin.

Yastığın değiştirilmesi

⚠DİKKAT: Yeni yastığın iyi bir şekilde sabitlendiğinden emin olun. Aksi takdirde yastık aletten çıkabilir ve kişisel yaralanmaya neden olabilir.

► Şek.10: 1. Titreşimli cebri dönüş modu 2. Şaft kilidi düğmesi 3. Yastık

Makita; süper yumuşak, yumuşak ve sert yastıklardan oluşan geniş bir isteğe bağlı ürün yelpazesine sunar. Yastığı değiştirmek için şunları yapın:

1. Değiştirme düğmesini kullanın ve modu titreşimli

cebrî dönüş moduna ayarlayın.

2. Şaft kilidi düğmesine basılı tutun ve yastığı saatin aksi yönünde döndürerek çıkarın.
3. Şaft kilidi düğmesine basılı tutmaya devam edin ve yeni yastığı saat yönünde döndürerek sıkıca takın.

Toz emziği

⚠DİKKAT: Toz emziğini taktıktan sonra civatayı iyice sıkıladığınızdan emin olun. Aksi takdirde, toz emziği düşebilir ve ciddi yaralanmalara neden olabilir.

ÖNEMLİ NOT: Aleti toz emziğinden tutarak taşımayın. Aksi takdirde alet hasar görebilir.

İşleme göre, toz emziğini çıkartabilirsiniz. Toz emziğini çıkarmak için, civatayı gevşetin, tutucu parçayı hafifçe açın ve toz emziğini çıkarın. Toz emziğini takmak için, toz emziğinin ağzını yuvanın toz çıkışına takın, tutucu parçanın dilini yuvanın oyukuyla hizalatin ve civatayı sıkılayın.

►Şek.11: 1. Toz emziği 2. Toz çıkışı 3. Ağız

►Şek.12: 1. Tutucu parça 2. Civata

Toz toplama başlığı (isteğe bağlı aksesuar)

►Şek.13: 1. Ön manşet 24 2. Hortum 3. Toz çıkışı

Makita marka bir hortum kullanılıyorsa, ön manşet 24'ü, toz çıkışına doğrudan bağlayabilirsiniz.

KULLANIM

⚠DİKKAT: Sadece orijinal Makita zımpara disklerini ve zımpara yastıklarını (isteğe bağlı aksesuar) kullanın.

⚠DİKKAT: İş parçası ile temas halindeyken aleti asla çalıştırmayın; bu, operatörün yaralanmasına neden olabilir.

⚠DİKKAT: İş malzemesinin sabitlendiğinden ve dengesiz durmadığından emin olun. Düşen nesnelere kişisel yaralanmaya neden olabilir.

⚠DİKKAT: Aleti kullanırken, aleti tek elinizle anahtar kolundan ve diğer elinizle ön kavrama kolundan (ya da yan koldan) sıkıca tutun.

ÖNEMLİ NOT: Şaft kilidi düğmesine basmamaya dikkat edin. Bu, aletin ömrünü kısaltabilir.

ÖNEMLİ NOT: Aleti hiç bir zaman zorlamayın. Aşırı basınç zımparalama / parlatma verimliliğini azaltabilir, zımpara diskinde / yastığa hasar verebilir veya aletin kullanım ömrünü kısaltabilir.

Zımparalama işlemi

ÖNEMLİ NOT: Aleti asla zımpara diski olmadan çalıştırmayın. Yastığa ciddi zarar verebilirsiniz.

►Şek.14

Aleti sıkı tutun. Aleti çalıştırın ve tam hıza ulaşmasını bekleyin. Sonra aleti hafifçe iş parçasının yüzeyine yerleştirin. Yastığı iş parçasına dayalı tutun ve aletin üstüne hafif basınç uygulayın.

Parlatma işlemi

İsteğe bağlı aksesuar

ÖNEMLİ NOT: Yüksek hızda sürekli çalıştırma çalışma yüzeyine zarar verebilir.

►Şek.15

1. Cila uygulanması

Sünger yastığı kullanın. Sünger yastığa veya çalışma yüzeyine cila uygulayın. Cilayı pürüzsüzleştirmek için aleti düşük hızda çalıştırın.

NOT: Aletin yüzeyi çizmediğinden veya muntazam cilalama yaptığınızdan emin olmak için cilayı ilk önce çalışma yüzeyinin göze çarpmayan bir kısmına uygulayın.

2. Cilanın giderilmesi

Keçe yastığı kullanın. Cilayı gidermek için aleti çalıştırın.

3. Parlatma

Yün yastığı çalışma yüzeyine hafifçe uygulayın.

BAKIM

⚠DİKKAT: Muayene ya da bakım yapmadan önce aletin kapalı ve fişinin çekili olduğundan daima emin olun.

ÖNEMLİ NOT: Benzin, tiner, alkol ve benzeri maddeleri kesinlikle kullanmayın. Renk değişimi, deformasyon veya çatlaklar oluşabilir.

Aleti EMNİYETLİ ve ÇALIŞMAYA HAZIR durumda tutmak için onarımlar, başka her türlü bakım ve ayarlamalar daima Makita yedek parçaları kullanılarak Makita yetkili servis merkezleri veya Fabrikanın Servis Merkezleri tarafından yapılmalıdır.

İSTEĞE BAĞLI AKSESUARLAR

⚠DİKKAT: Bu aksesuarlar ve ek parçalar bu el kitabında belirtilen Makita aletinin ile kullanılmak için tavsiye edilmektedir. Herhangi başka bir aksesuar ya da ek parça kullanılması insanlar için bir yaralanma riski getirebilir. Aksesuarları ya da ek parçaları yalnızca belirtilmiş olan kullanım amaçlarına uygun olarak kullanın.

Bu aksesuarlarla ilgili daha fazla bilgiye ihtiyaç duyar-sanız bulunduğunuz yerdeki yetkili Makita servisine başvurun.

- Çengel halkalı tip zımpara diskleri (önceden delik açılmış)
- Çengel halkalı tip sünger yastık
- Çengel halkalı tip keçe yastık
- Çengel halkalı tip yün yastık
- Yastık 150 (Süper yumuşak, Yumuşak, Sert)
- Yastık 130 (Parlatma)
- Yan kavrama kolu

NOT: Listedeki parçaların bazıları alet paketi içerisinde standart aksesuar olarak dahil edilmiş olabilir. Bunlar ülkeden ülkeye farklılık gösterebilir.

Makita Jan-Baptist Vinkstraat 2, 3070, Belgium
Makita Corporation Anjo, Aichi, Japan

www.makita.com

885445-998
EN, FR, DE, IT,
NL, ES, PT, DA,
EL, TR
20150630